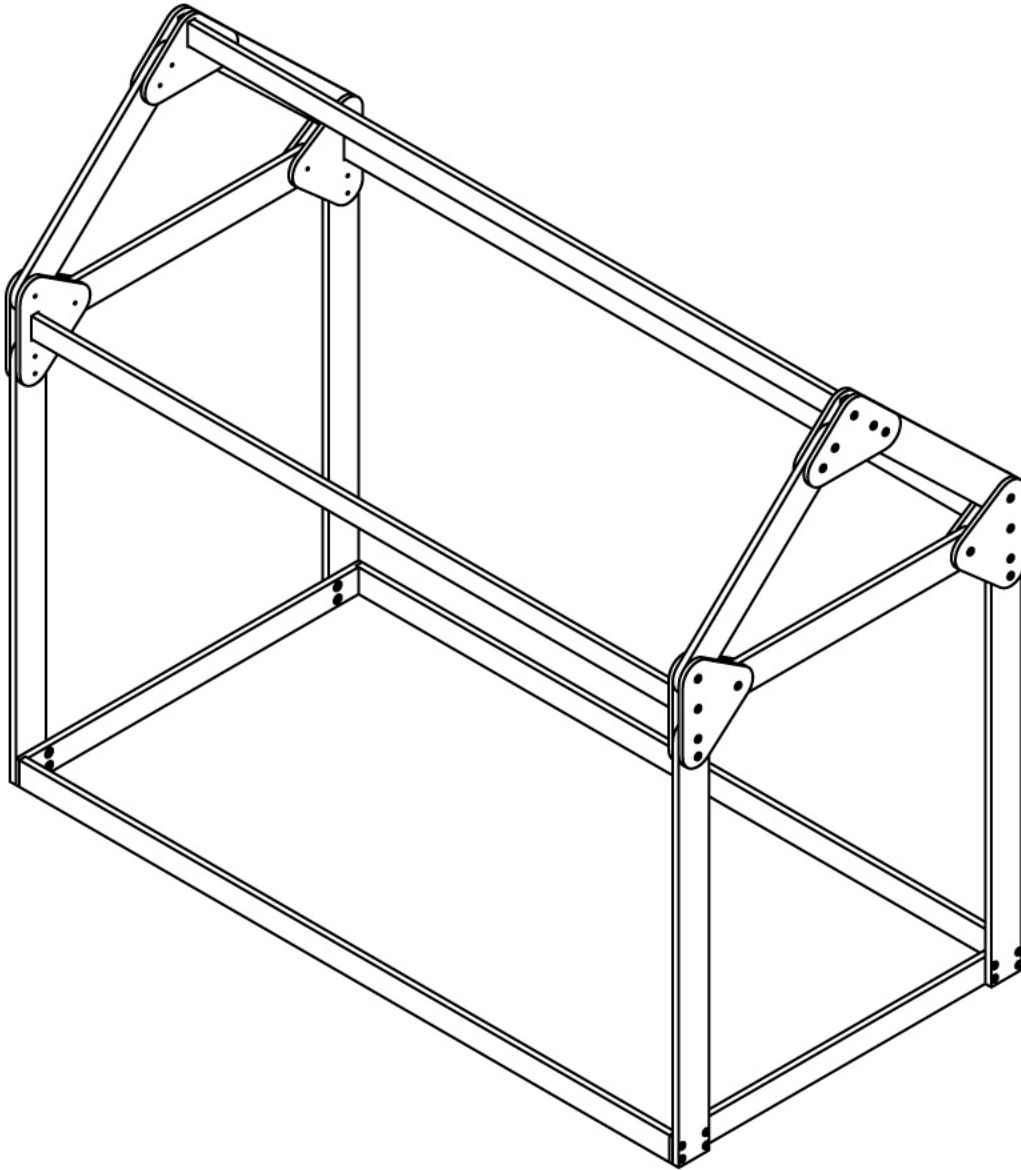


HOUSE FLOOR BED ASSEMBLY INSTRUCTIONS



REAL • PLAY • KIDS

Austin, Texas

Thanks again for your purchase.

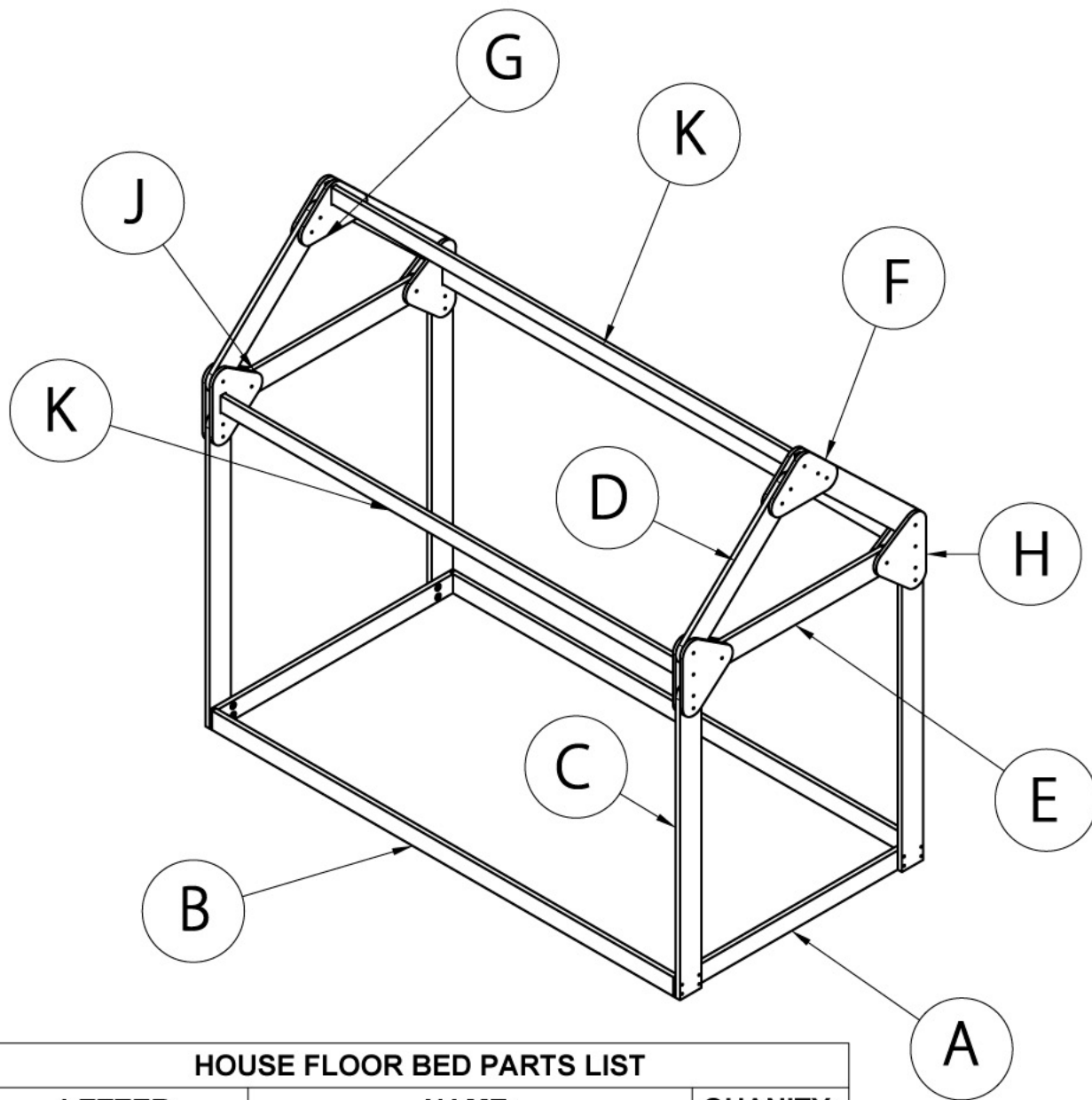
If you have any problems during assembly please email- aj@realplaykids.com or call 512-706-5295 and we can help. Or we can schedule a Facetime call to help with assembly.

PRO ASSEMBLY TIPS:

- All tools need for assembly are included.
- Do not remove hardware from the bags until called for in instructions.
- The bed is easier to assemble with the help of an assistant.
- Steps #1 to #5 should be done on the floor.
- Leave bolts and screws a little loose during assembly. This helps make assembly easier.
- Make sure to Fully Tighten all bolts and screws at the end of assembly.
- Assemble bed frame in the room it is intended to be used in.

Care and Cleaning:

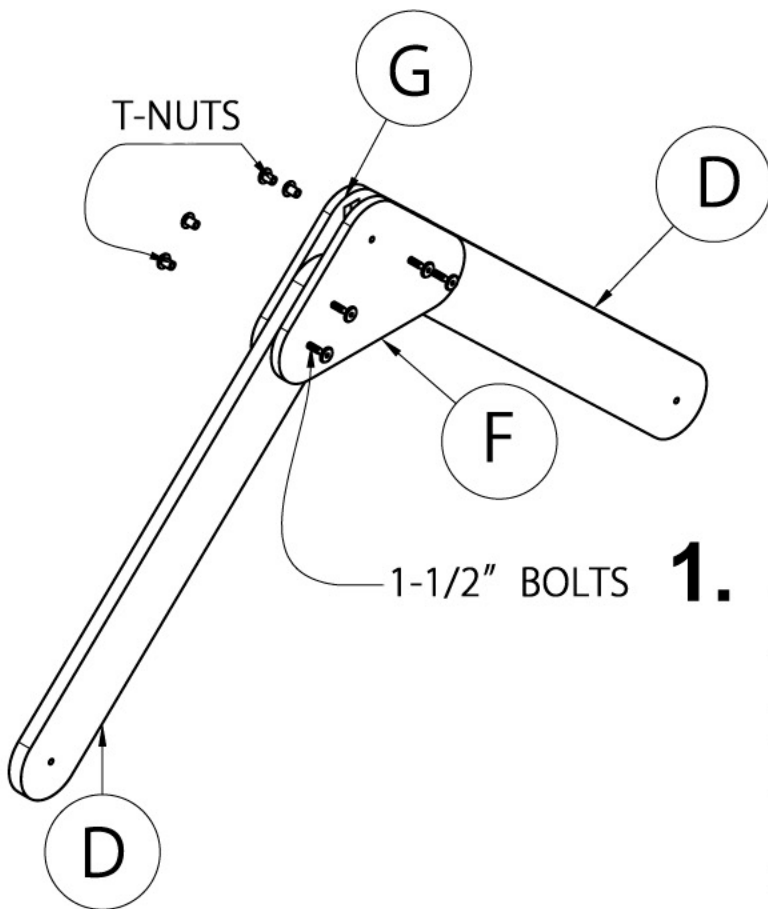
- The bed frame is finished with a very durable clear coat finish.
- Clean-up of most paint, crayon, pen-ink and markers takes only a simple wipe of a damp cloth.
- A cleaning easer pad can be used for pen-ink and paints.
- Sharpie or permanent marker can be wiped off using an alcohol wipe.
- Never use a cleaner that contains bleach.



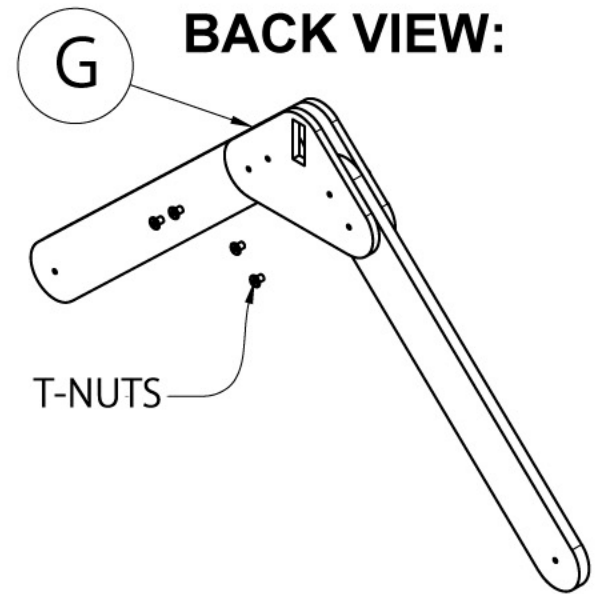
HOUSE FLOOR BED PARTS LIST

LETTER:	NAME:	QUANTITY:
A	BASE END	2
B	BASE SIDE	2
C	UPRIGHT	4
D	ROOF RAIL	4
E	WALL RAIL	2
F	ROOF BRACKET FRONT	2
G	ROOF BRACKET BACK	2
H	WALL BRACKET FRONT	4
J	WALL BRACKET BACK	4
K	RAILS	3
HARDWARE #1	T-Nuts and 6mm wrench	
HARDWARE #2	1-1/2" Bolts and 5mm wrench	
HARDWARE #3	1-1/4" Bolts	
HARDWARE #4	2" Screws	
HARDWARE #5	3" Screws	

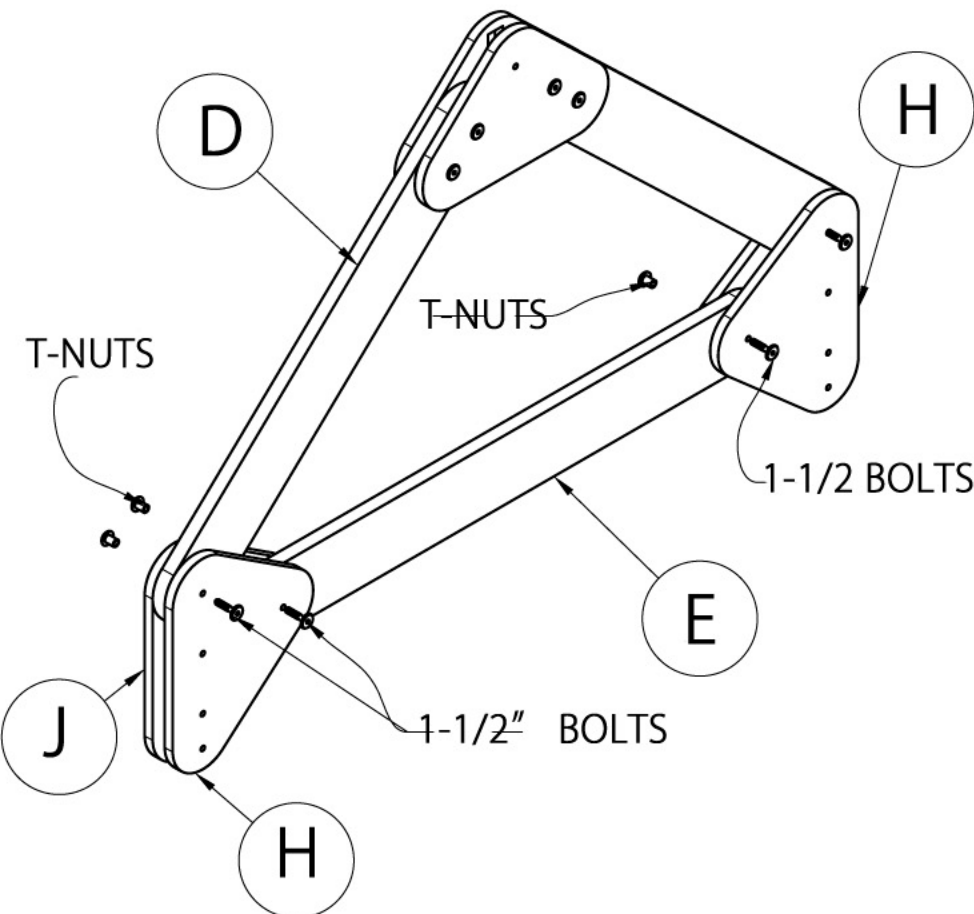
FRONT VIEW:



BACK VIEW:



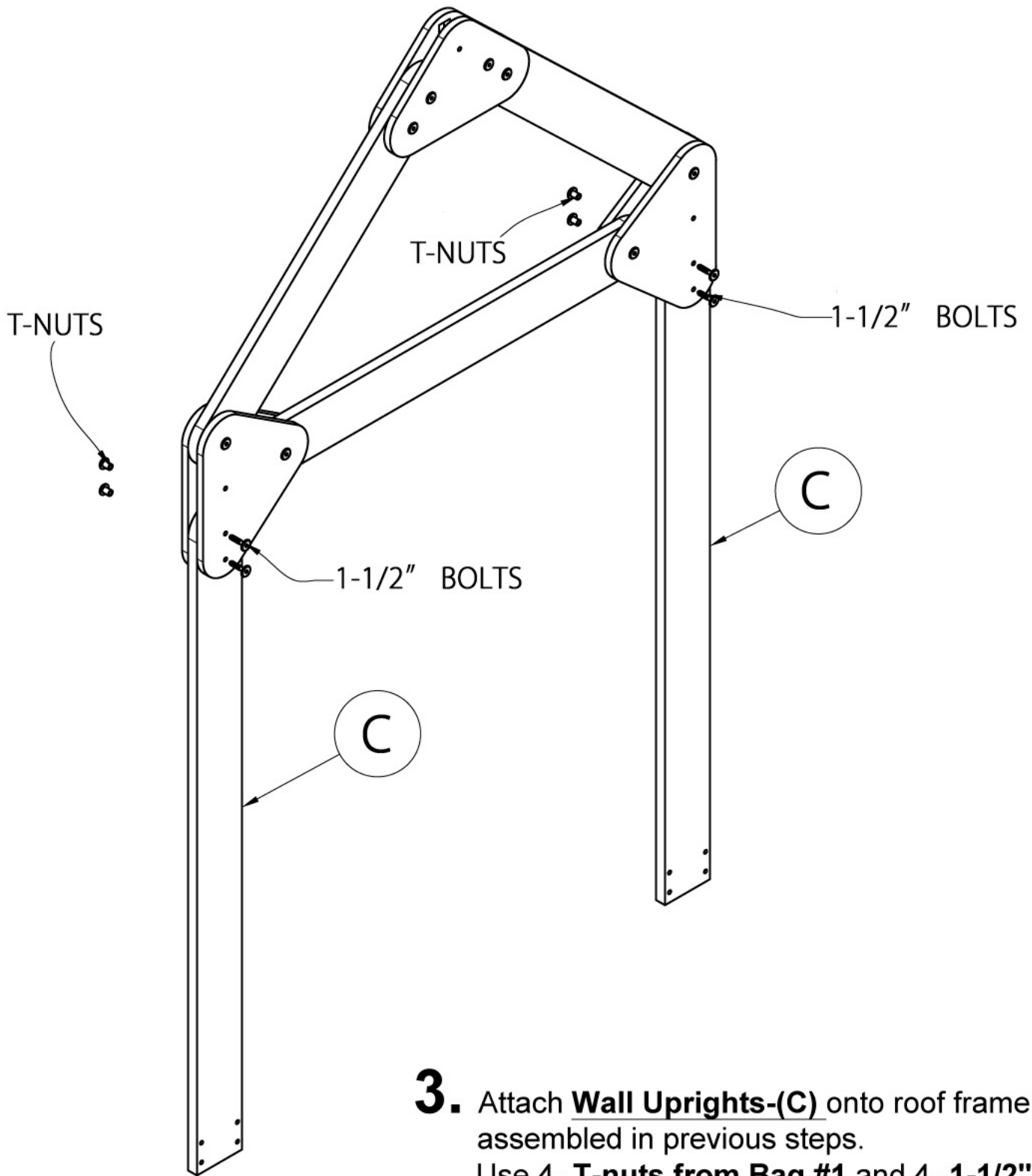
- 1.** Attach Roof Bracket-(F) and Roof Bracket-(G) to the two Roof Rails-(D) using 4-T-nut's and wrench from hardware **Bag #1** and the 4-1-1/2" Bolts and wrench from **Bag #2**.
Onlt lightly tighten bolts to allow movement during assembly.



- 2.** Attach Wall Bracket Front-(H) and Wall Bracket Back-(J) to each side of Roof Rail-(D) using 2-T-nuts from **Bag #1** and 2-1-1/2" Bolts from **Bag #2**.

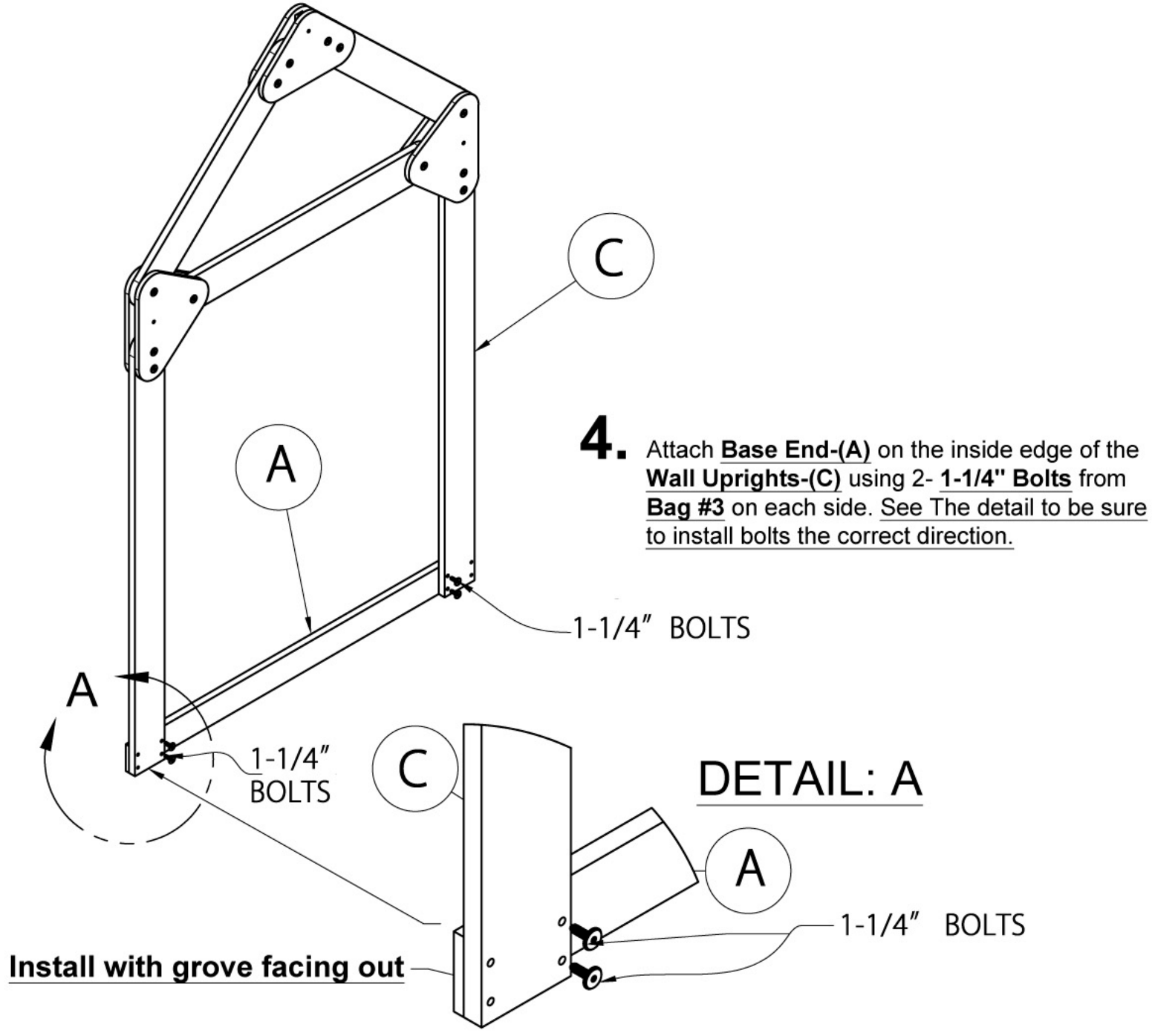
Next attach Wall Rail-(E) to Wall Brackets 2-T-nuts from **Bag #1** and 2-1-1/2" Bolts from **Bag #2**

Onlt lightly tighten bolts to allow movement during assembly.



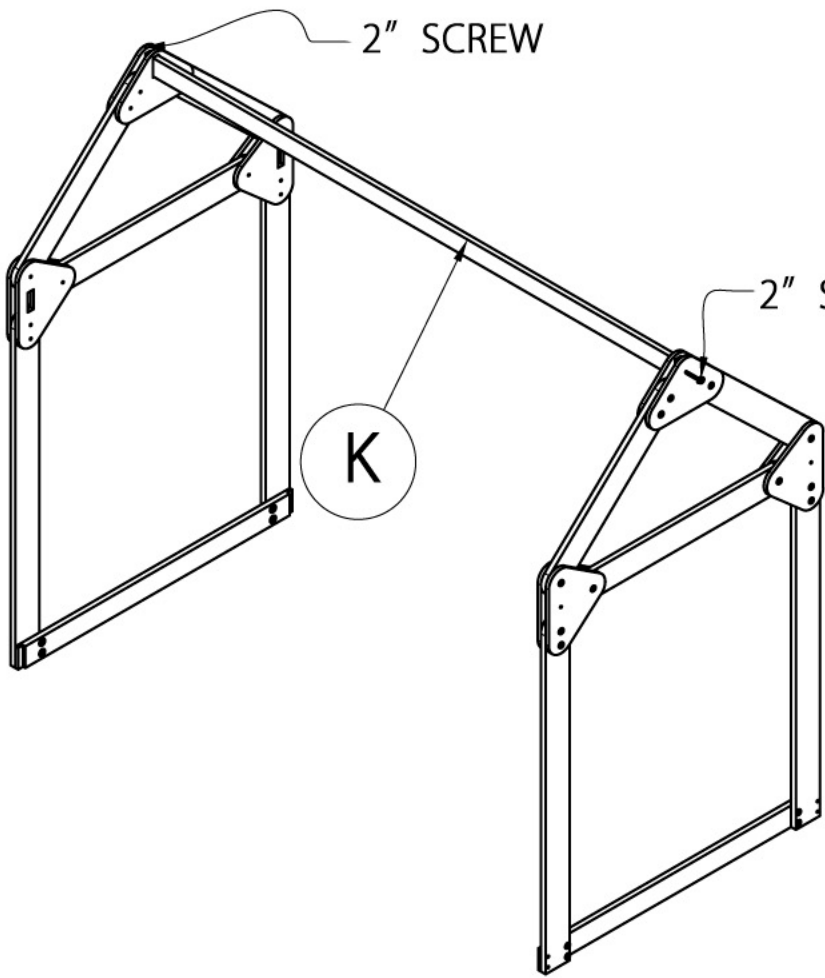
- 3.** Attach Wall Uprights-(C) onto roof frame assembled in previous steps.
Use 4- T-nuts from Bag #1 and 4- 1-1/2" Bolts from Bag #2

Remember not to over tighten the bolts at this step.



5. Repeat Steps #1 thru #4 to build a second end wall.

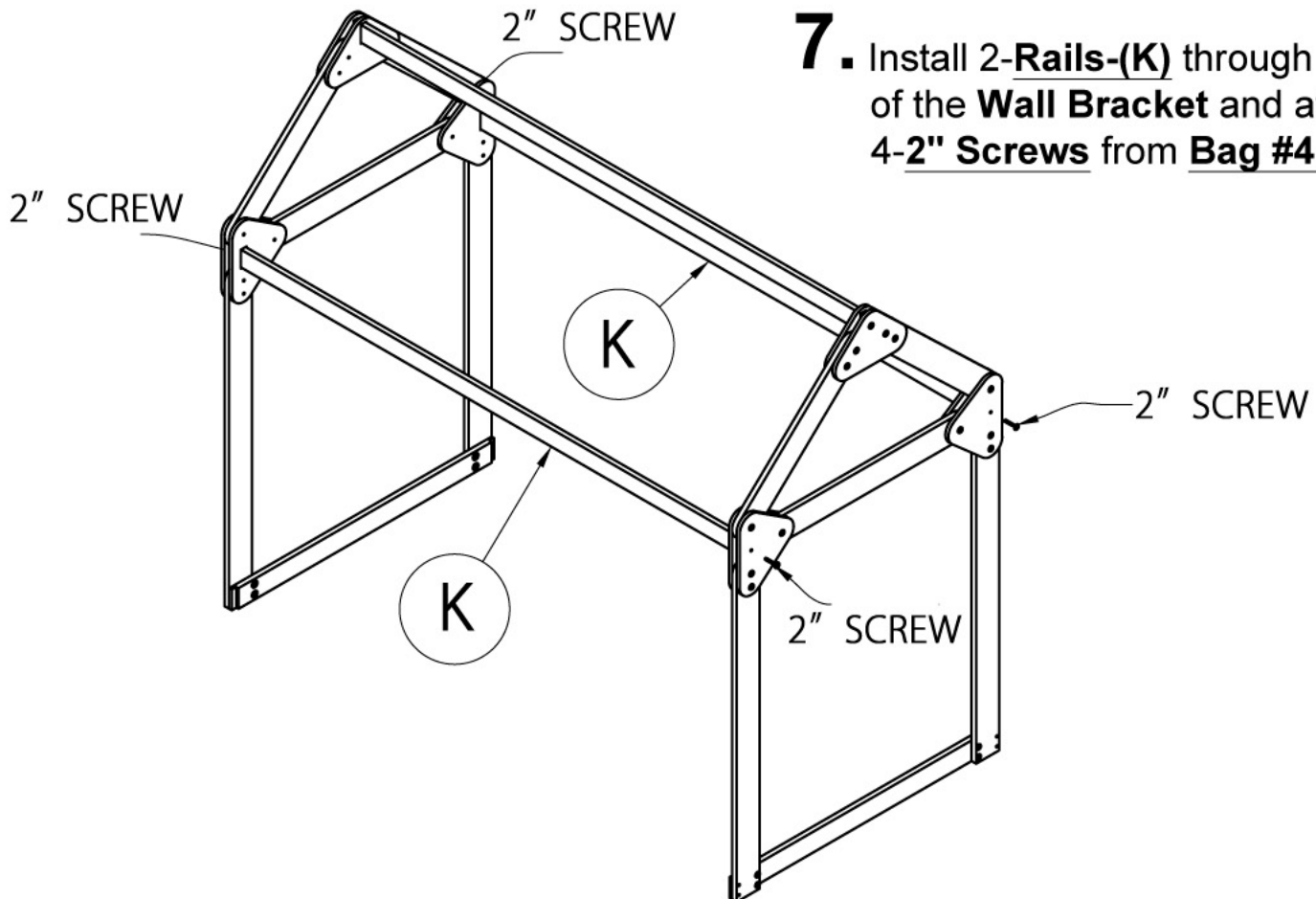
After both end walls are complete make sure to go back a using both wrenches and fully tighten all bolts and nuts installed to this point.



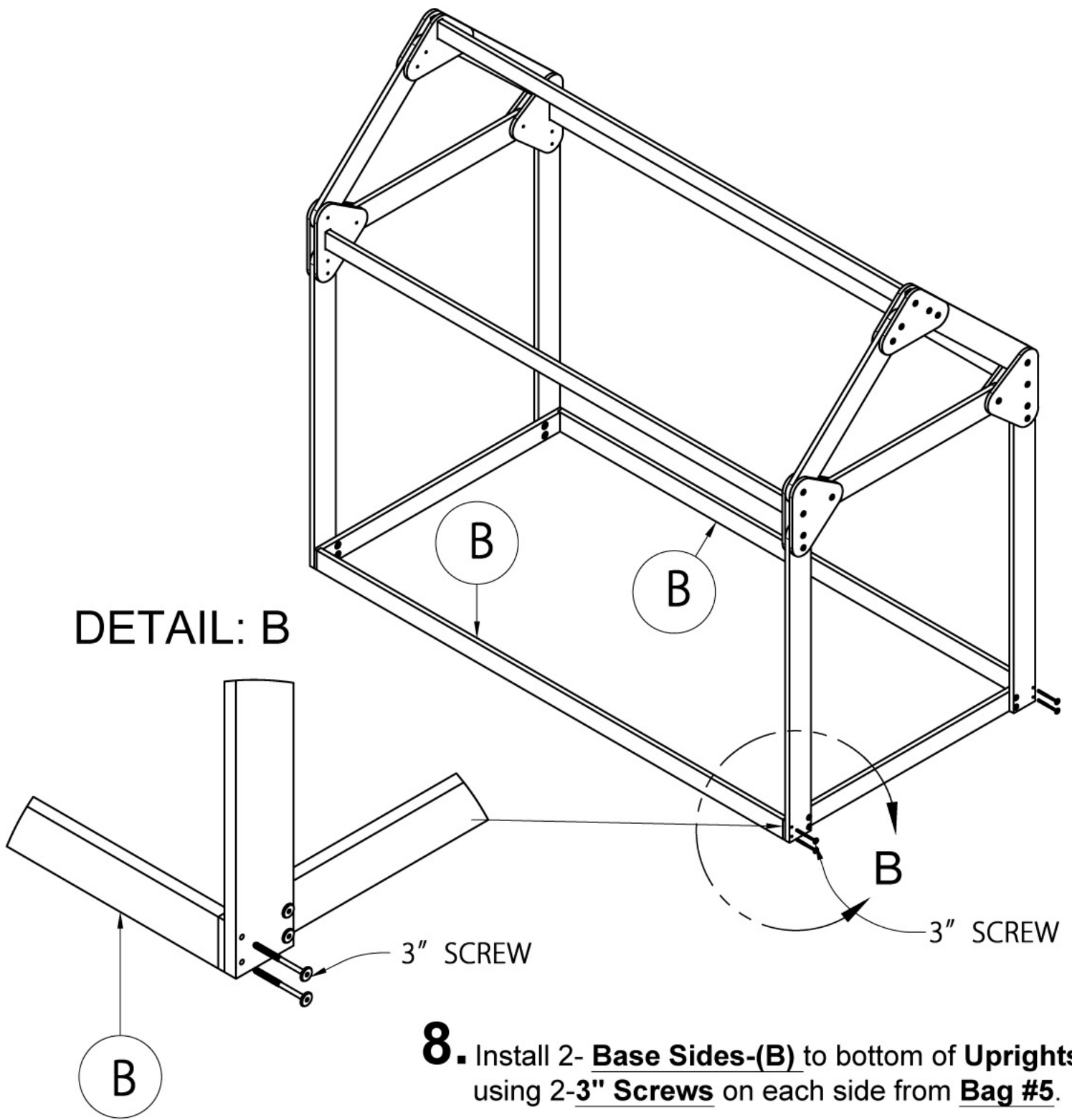
From this point on having an assistant to help hold the walls makes the assembly much easier.

6. As your assistant holds up one side wall, install Top-Rail-K through the back of the Roof Bracket. Attach using 1-2" Screw from Bag #4

Repeat this step to install the Top-Rail into the other side wall, using 1-2" Screw



7. Install 2-Rails-(K) through the back of the Wall Bracket and attach using 4-2" Screws from Bag #4.



Assembly is now complete.

Make sure to double check that all Bolts and Screws are fully tight.

Great Job! You just built a house! Well a small house but still a house.