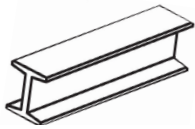


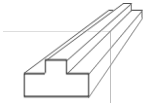


Installation Instructions

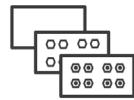
Installation Products:



FAUX STEEL
I-BEAM



T-TRIM



PLATES



JOINERS



NUT/BOLT SETS



STEEL GRAY
CAULKING



2" DRYWALL
SCREWS

Installation Tools:



CAULKING
GUN



LADDER OR
OR SCAFFOLD

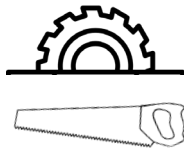
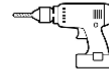


TABLE SAW &
HAND/HACK SAW



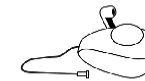
STUD FINDER



DRILL



TAPE MEASURE



CHALK LINE /
LASER



SAFETY
GEAR

Before You Start

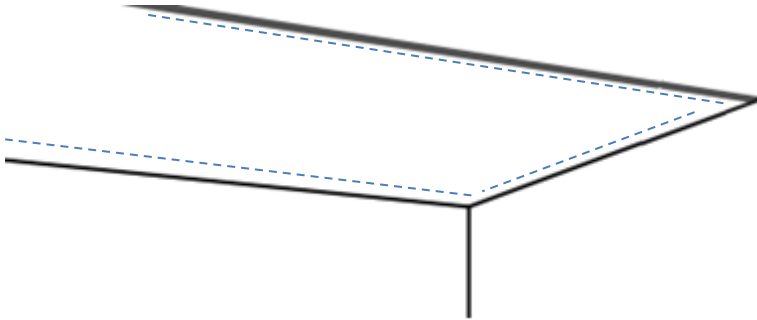
Ensure substrate that FAUX STEEL I-BEAMS are being fastened to is structurally sound, properly fastened, and in good condition.

Gather all tools and materials. Be sure to obey all safety rules and recommendations set forth by tool manufacturers.

Always follow any, and all, local, state, and federal building codes. Always comply with any specified clearances set forth by the manufacturers of stoves, fireplaces, furnaces, and any other heat sources.

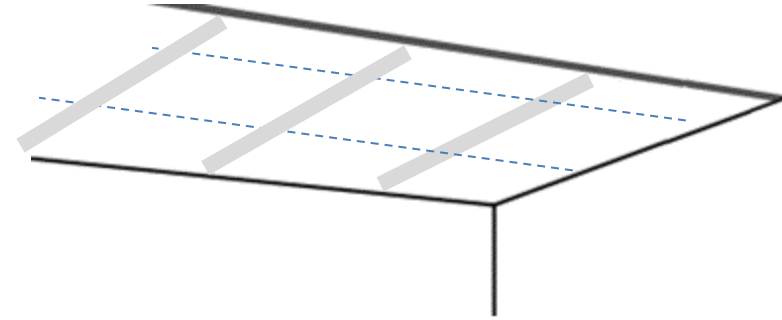
Please Note

FAUX STEEL I-BEAMS are for decorative purposes only. FAUX STEEL I-BEAMS are not load-bearing, are not to be used for structural support, and not to be used for the bracing or suspension of any objects.



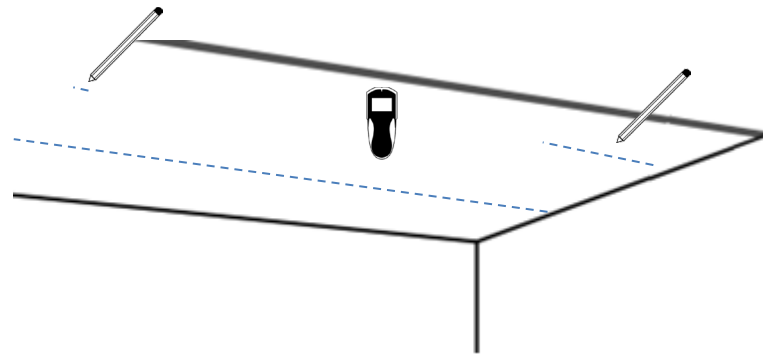
1) Plan out the Installation

Measure ceiling and plan out desired spacing to determine the correct quantity of FAUX STEEL I-BEAMS and Accessories needed.



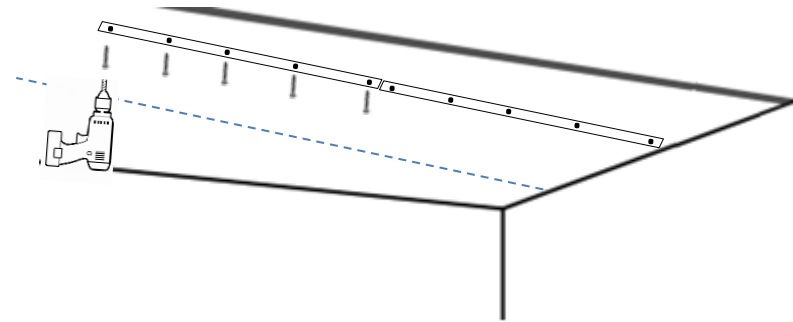
2) I-BEAM Orientation

I-BEAMS can be installed in any direction. It is ideal to fasten into the ceiling joists wherever possible. If installing into the drywall, drywall anchors are recommended.



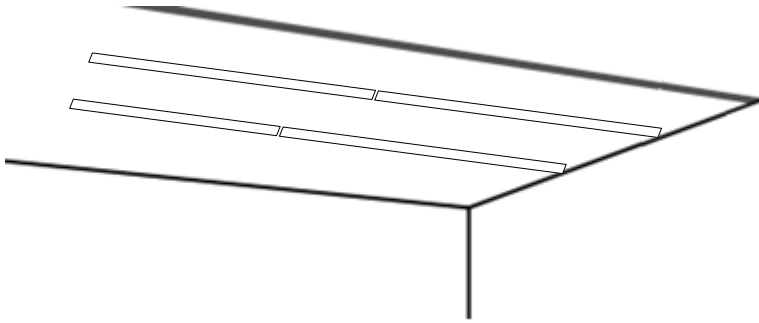
3) Marking the Ceiling Joists

Using a stud finder, locate ceiling joists and mark with a pencil close to one wall. Repeat on opposite side of the ceiling (opposing wall). Then use a laser or chalk line to mark a line from pencil mark to pencil mark.



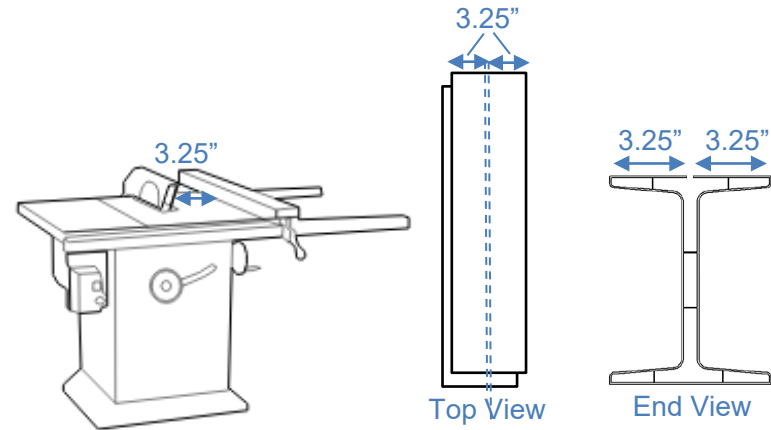
4) Installing T-Trim

Place the T-Trim along the ceiling joist line, so that the holes in the T-Trim line up directly with the marked line. Fasten T-Trim using drywall (or wood) screws. Be careful not to over-tighten, so there is enough space for I-BEAM to fit between T-Trim and ceiling.



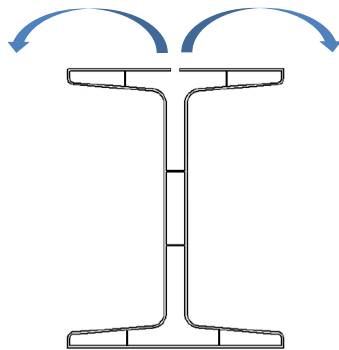
5) Continue Installing T-Trims

Continue installing all T-Trims until all desired marked lines are covered.



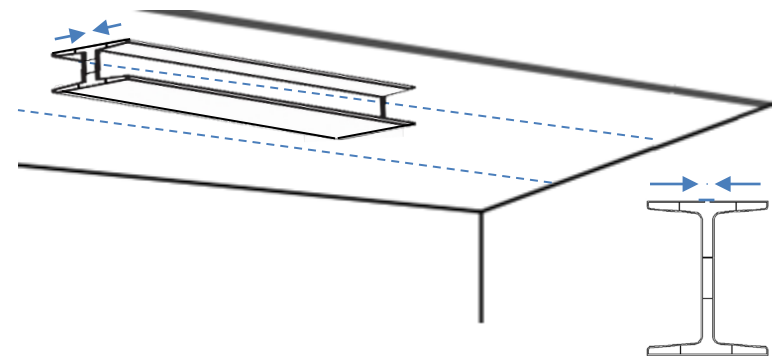
6) Preparing the I-BEAM for Installation

If using table saw, adjust the blade depth to 1/2". Make first cut on top of I-BEAM at 3.25" from edge. Cut for the entire length. Then repeat at 3.25" from other edge of I-BEAM, creating a 1/2" opening along the top. **NOTE:** push I-BEAM through the saw slowly and use a fine-toothed blade. It is okay if I-BEAM 'chips' while cutting the top opening.



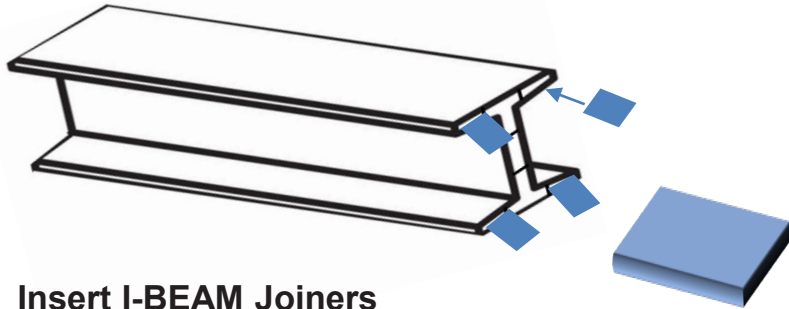
7) Open cut side of I-BEAM

Facing the cut side of the I-BEAM up, create an opening by pulling the I-BEAM apart and applying outward and downward pressure.



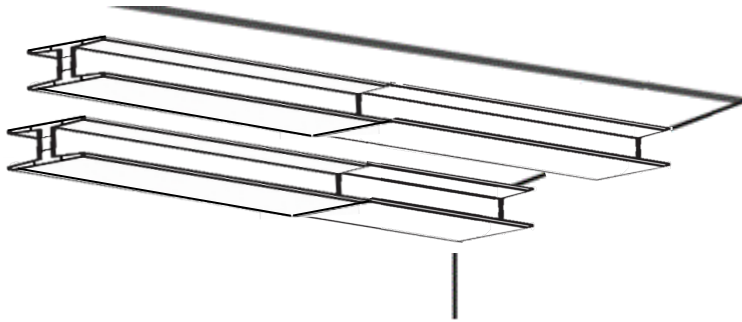
8) Install I-BEAM

While I-BEAM is pulled apart, place over T-Trim, then allow the I-BEAM to close to lock into place. This can be done by one person, but two or more makes it much easier.



9) Insert I-BEAM Joiners

If installing multiple I-BEAMS together, insert I-BEAM Joiners or a 3/8" solid substrate (wood, etc) cut to 2" wide by 4" long. Be sure to insert only 2" into the installed I-BEAM leaving 2" exposed for the next I-BEAM.

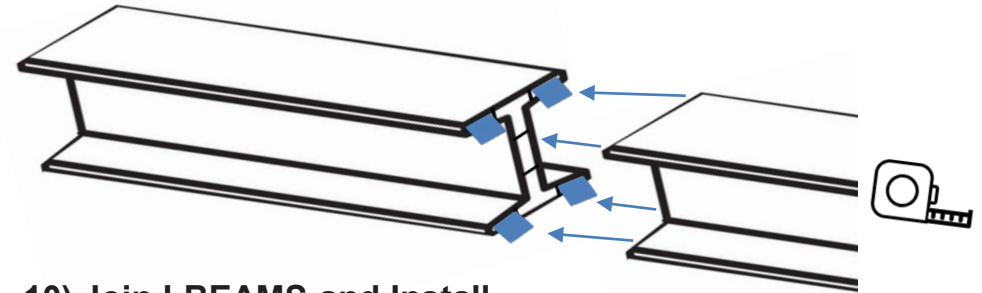


11) Install all Remaining I-BEAMS

Continue as per the directions above until all I-BEAMS are installed.



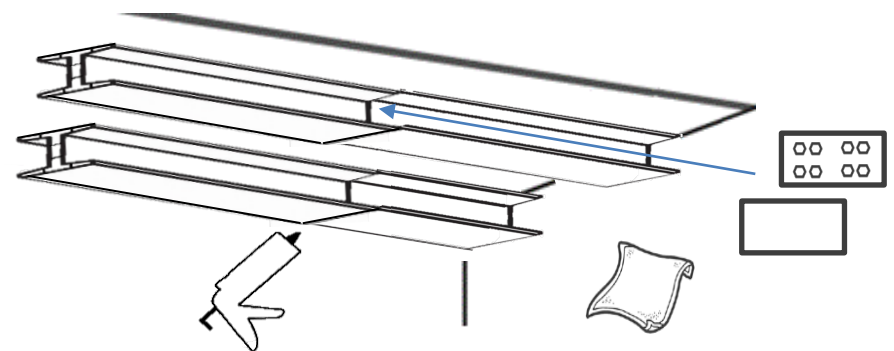
**PLEASE RECYCLE I-BEAM
 T-TRIM CUT-OFFS**



10) Join I-BEAMS and Install

Measure remaining distance (if less than 94") and cut I-BEAM to length using a saw with a plastic or very fine-toothed blade (hand saw, hack saw, jig saw, reciprocating saw, etc). Cut slowly to avoid 'chipping' the end of the I-BEAMS. Cut top opening and install by first aligning and inserting the Joiners from the previous I-BEAM, then by installing over the T-Trim.

NOTE: any chips or gaps can be filled with Steel Gray caulking.



12) Finish I-BEAMS

Once all I-BEAMS are installed, wipe down with clean cloth, then apply desired accessories. If installing Plates, use PVC friendly adhesive. If installing Nut/Bolt sets, apply Plate, predrill w/ 3/4" bit, insert Bolt through Plate and I-BEAM, then thread on Nut (just to snug, do not overtighten).

NOTE: Steel Gray caulking can be applied to create the look of a welded joint, and/or fill any unwanted seams.