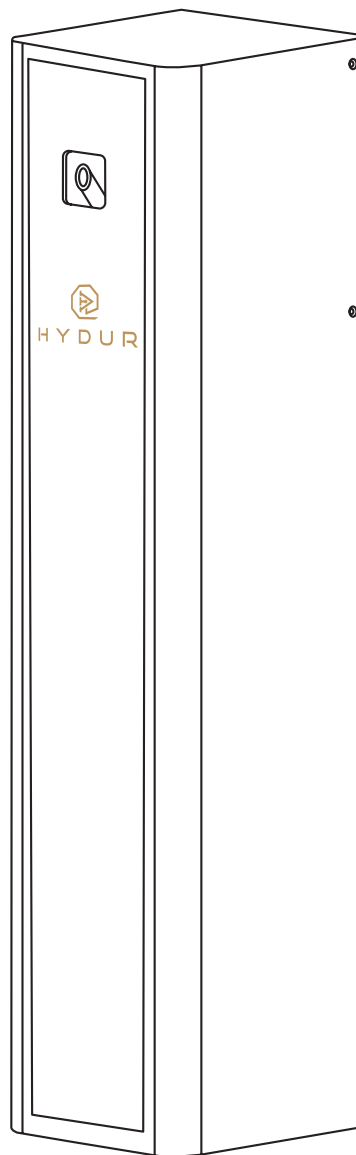


# ULTRA TOWER MAX DIFFUSER MANUAL

**Before using:** For Your safety, please read and understand this manual before using your product.



Twenty Automatic Scent  
Intensity Levels



Button  
Operated



Bluetooth  
Operated



Timer  
Programming

## Specification

---

Product Name: Ultra Tower Max

Coverage: Up to 830m<sup>2</sup>/2500m<sup>3</sup>/88000ft<sup>3</sup>

Dimensions: (H) 152 mm x (W) 150 mm x (D) 664 mm

Net weight: 5.8 kg

Gross weight: 8.0 kg

Oil Consumption: 0.3 – 3.7 ml per hour

Power: 10.0 Watts

Voltage: DC12V

Container capacity: 1000 ml

Accessories: Power adapter

Environment: Indoor



Waste electrical products should not be disposed of with house hold waste. Separate disposal facilities exist, for your nearest facilities see [www.recycle-more.co.uk](http://www.recycle-more.co.uk)

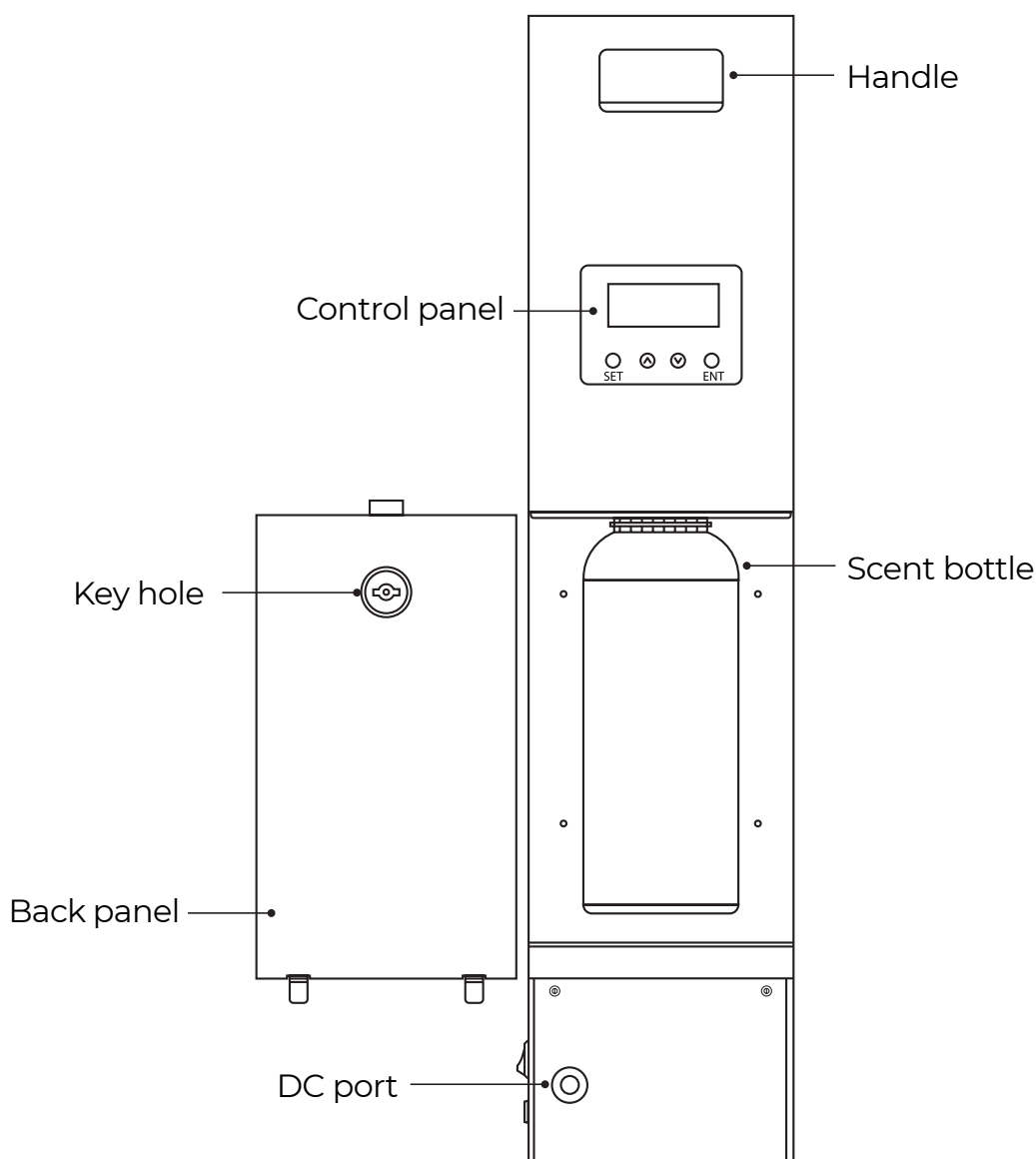
## Specification

---

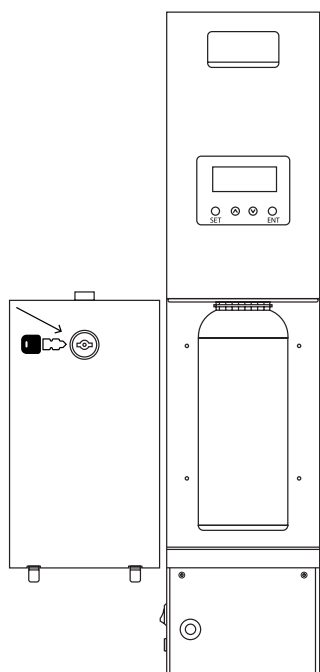
Our Ultra Tower Max is the perfect diffuser for large spaces whether it's for conference hall, hotel lounge, lobby or spa. This diffuser machine holds an extra-large capacity of 1000ml essential oil that can last for several months at a low mist setting in one filling

Operated by Bluetooth using the Hydur scenting app, you are able to control your diffusion level or have it on continuous or set it based on your preferred time and day.

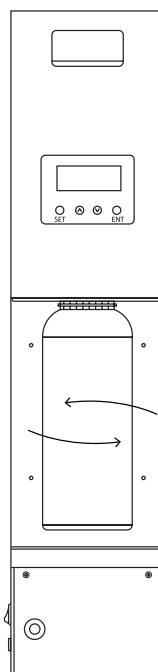
With a twenty-intensity diffusion setting, this diffuser is powerful and outstanding.



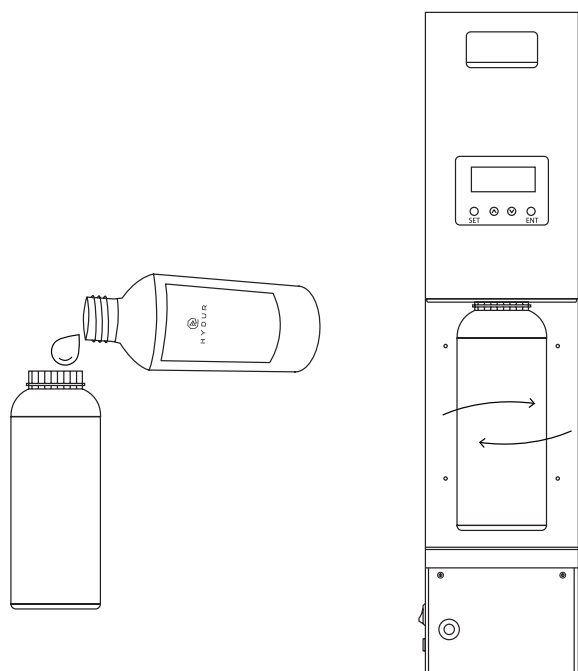
- 1 Using the key, open the back cover and remove the panel



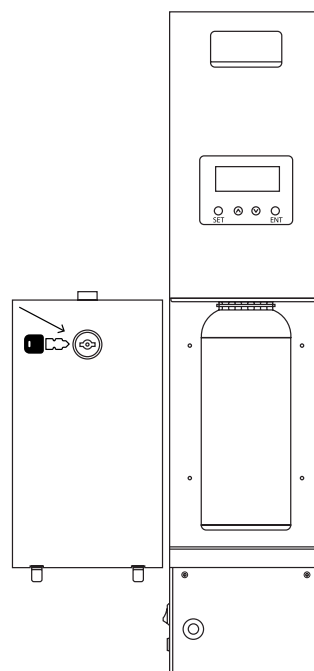
- 2 Twist the bottle clockwise, and carefully take it out from the machine



- 3 Fill the bottle with scented oil and place it back onto the machine



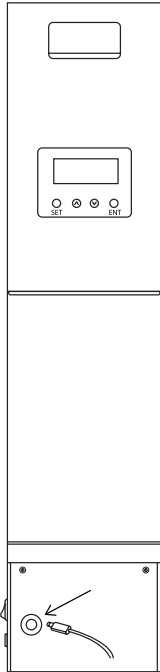
- 4 Keep the machine upright and securely place the back cover and lock it with the key



## Operating your diffuser

---

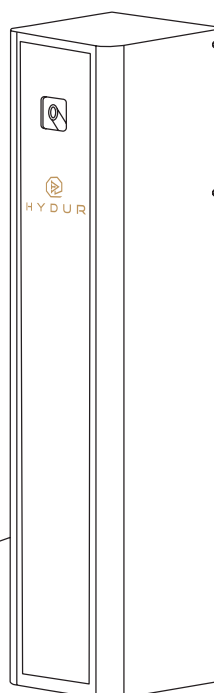
- 5 Plug in the power adapter to turn the machine ON, the machine will beep to indicate its ON and ready to operate.



- 6 Adjust the desired intensity level by connecting to Bluetooth using the Hydur scenting app which allows you to control your diffusion levels and settings based on your preferred time and day. The Hydur Scenting controller app is available to download on IOS and android



- 7 Place your Ultra Tower Max Diffuser in conference rooms, hotel lounges, restaurant, salon, meeting room, office, or any ventilated indoor space



## Power On

---

Connect the DC12V adapter to the outlet and turn the power switch On. Local time and scent intensity levels will appear.

## Intensity and Oil Consumption

It takes approximately 3.5 hours for the diffuser to be fully charged (recommended) and will last approximately 24 hours in standby mode.

Intensity Level Indicator Light	Length of Diffusion (in Seconds)	Interval between Diffusion (in Seconds)	Oil Consumption (ml/hr)
1	15	300	0.3
2	15	150	0.4
3	20	120	0.6
4	20	85	0.7
5	25	80	0.8
6	30	75	1.0
7	30	60	1.1
8	30	50	1.2
9	30	40	1.3
10	30	33	1.5
11	33	30	1.7
12	40	30	1.9
13	50	30	1.22
14	60	30	2.4
15	75	30	2.6
16	80	25	2.8
17	85	20	3.0
18	120	20	3.33
19	150	15	3.5
20	300	15	3.7

## Warning

---

Please read and follow all instructions

- This product is a household or commercial electrical appliance
- After installation, please keep the diffuser on a stable horizontal surface, or mount it to the wall do not tilt or angle as this will cause oil leakage and may damage the machine
- Turn the diffuser off before adding any oil
- For your safety and quality assurance, we strongly advise do not disassemble or repair the machine as this will void the warranty and will damage the machine
- Only use Hydur purchased scenting oil. Any other oil will void the warranty and might damage the machine
- Only use the power adapter supplied with the device
- Do not install or use within the reach of children or pets. Doing so may lead to the product tipping over or in other accidents cause injury
- Do not submerge or pour / splash water on this product or its cable, doing so may lead to electric shock or injury
- Never attempt to insert pins, wires or other foreign objects in the mist diffuser outlet, doing so may lead to shock or injury
- Do not use damaged power adapter or charging when moisture is present, can cause fire, electric shock, injury or damage to the diffuser
- Do not allow children to play with this appliance
- If there is a spill due to tipping over or tilting, do not allow it to come in contact with the internal outlet or charging port as it can result in malfunction or may lead to shock or injury
- Please do not use the diffuser, if there is no scenting oil

## Care/Storage

---

For your safety, regularly perform care and maintenance for your scent diffuser,

- If scenting oil comes into contact with the outer cover or inner cover, or the cover becomes dirty, wipe it off with a clean cloth soaked with warm water and wipe with a dry cloth
- Using the diffuser without regular cleaning may result in mineral build up resulting in degraded performance

## Storage

---

- Do not store this product in a location subject to high temperature or humidity
- Before using this product after a period of storage, clean the interior with a dry cloth to remove any dust particles

## Cleaning Steps

---

- Always turn the diffuser off and unplug the device during maintenance
- Unscrew the connector from the atomized head and remove it from the bottle
- Replace the scenting oil with Isopropyl Alcohol at least 15%
- Close the bottle with the atomizing head, screw back the connector and let it run for 5 mins
- After running your cleaning cycle, replace the Isopropyl Alcohol with scenting oil

## Disposal

---

Dispose of this product and packaging materials with your local regulation. Waste electrical products should not be disposed with household waste. Separate disposal exist for your nearest facilities, see [www.recycle-more.co.uk](http://www.recycle-more.co.uk)



Condition	Possible Reason	Solution
Diffuser is not working	<ol style="list-style-type: none"> <li>1. Diffuser is not connected to the power outlet</li> <li>2. Faulty power supply adapter</li> </ol>	<ol style="list-style-type: none"> <li>1. Check if the machine is plugged in</li> <li>2. Replace power adapter</li> </ol>
Diffuser is working, but no mist is visible and/or can't smell the scent	<ol style="list-style-type: none"> <li>1. Diffuser core is clogged</li> <li>2. Diffuser tube is loose</li> </ol>	<ol style="list-style-type: none"> <li>1. Replace scented oil with Isopropyl Alcohol and let the machine run for 5mins</li> <li>2. Check and tighten the diffuser tube</li> </ol>
Oil is leaking	<ol style="list-style-type: none"> <li>1. Ensure the machine is in the upright position</li> <li>2. Seal is broken, damaged or loose</li> <li>3. Bottle is not screwed in properly</li> </ol>	<ol style="list-style-type: none"> <li>1. If the machine is tipped, stand it upright</li> <li>2. Change the rubber seal</li> <li>3. Ensure the bottle is screwed in</li> </ol>
Unusual noise and loud noise	<ol style="list-style-type: none"> <li>1. Pump is loose</li> <li>2. Pump is damaged</li> </ol>	<ol style="list-style-type: none"> <li>1. Check and tighten the pump</li> <li>2. Contact us</li> </ol>