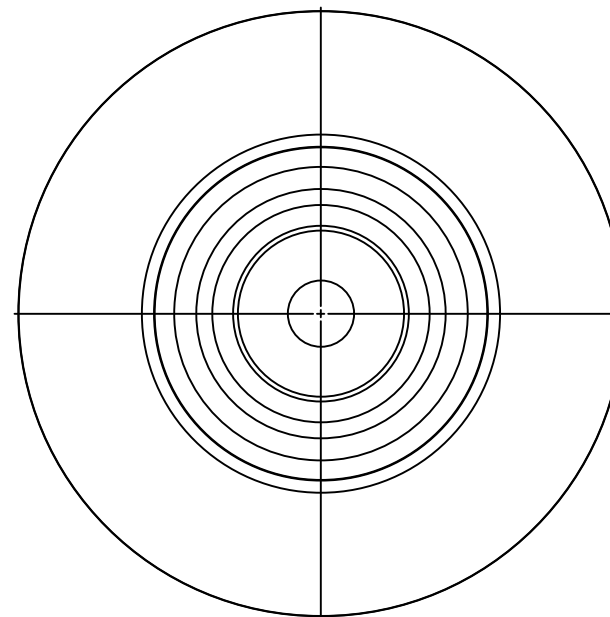
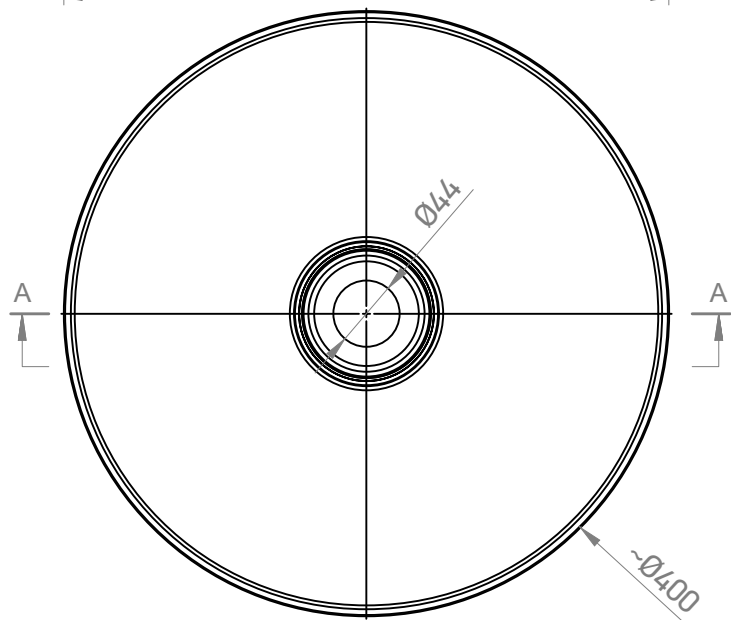



Bottom view



	MARMY	www.marmy.eu	Name:
			CAPRI PLUS D40x13
Weight:	Visible height:	Scale:	Item NR.:
4,5 kg	15 cm	1:5	6 301 17 04 10 18