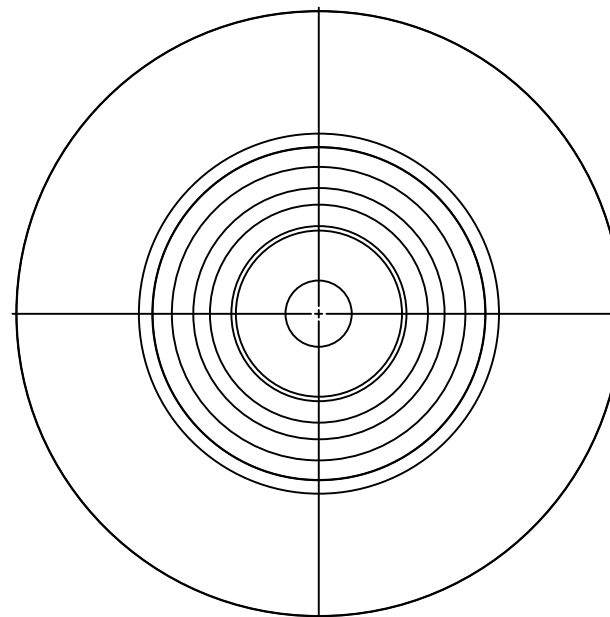
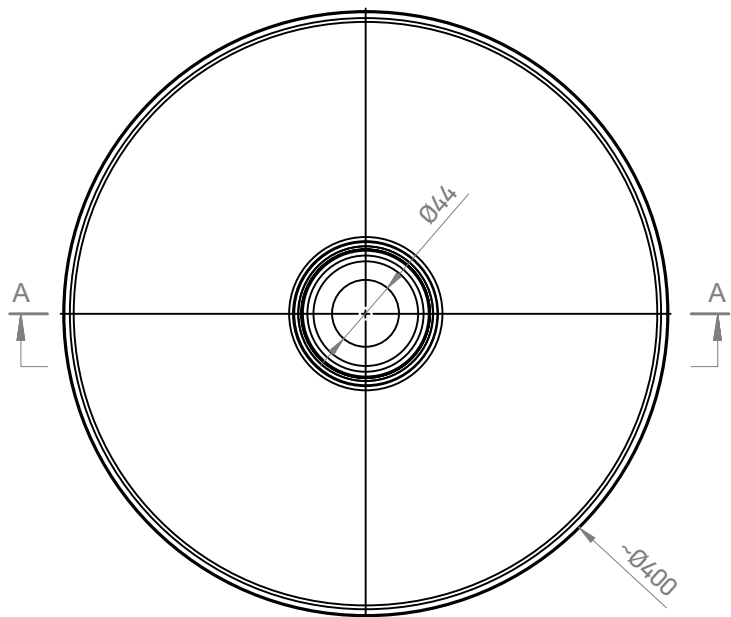



Bottom view



	Name:	
	<b>CAPRI D40x10</b>	
<b>MARMY</b> <a href="http://www.marmy.eu">www.marmy.eu</a>	Item NR.:	
	6 301 19 04 10 18	
Weight:	Visible height:	Scale:
4 kg	13 cm	1:5