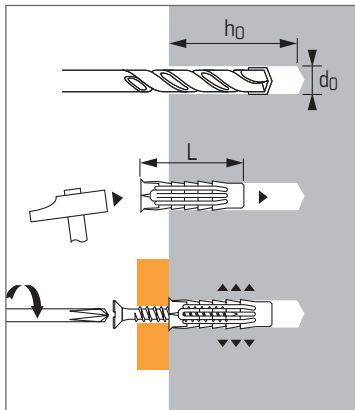




Nylon anchor for hollow and solid material



Technical data

Anchor size	Screw diameter (mm)	Drilling depth (mm) h ₀	Drilling diameter (mm) d ₀	Total anchor length (mm) L	Code	
					without screw	with screw*
5X25	3 - 4	35	5	25	565642	565646
6X30	4 - 5	40	6	30	565643	565647
8X40	4,5 - 6	50	8	40	565644	565648
10X50	6 - 8	65	10	50	565645	565649
12X60	8 - 10	75	12	60	565617	-
14X70	10 - 12	85	14	70	565618	-

Recommended loads (N_{rec}) and ultimate loads (N_{Ru,m}) in kN with wood screw

TENSILE

Base material	Anchor size	Screw Ø	Ø5	Ø6	Ø8	Ø10
			4	5	6	8
Concrete (≥C20/25)						
N _{rec} [*]			0,28	0,28	0,50	0,70
N _{Ru,m} [*]			1,40	1,40	2,50	3,50
Hollow concrete blocks B 40						
N _{rec} [*]			0,23	0,3	0,43	0,46
N _{Ru,m} [*]			1,15	1,5	2,15	2,30
Clay bricks BP 400						
N _{rec} [*]			0,20	0,26	0,35	0,60
N _{Ru,m} [*]			1,00	1,30	1,75	3,00
Hollow clay bricks Eco 40						
N _{rec} [*]			0,17	0,19	0,23	0,25
N _{Ru,m} [*]			0,85	0,95	1,15	1,25

^{*} Indicative values : depending on the type of screw used, the loads must be reduce by 50 %

APPLICATION

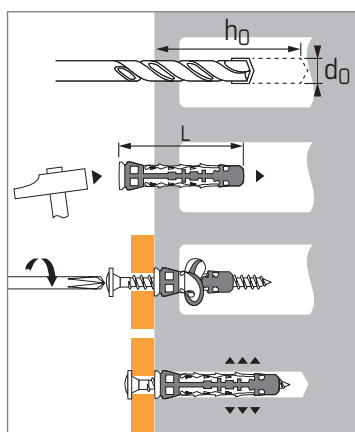
- Lightweight fixing in all base material
- Small electrical accessories, small light fittings, fuse boxes, etc...

MATERIAL

- Body:** polyamid 6
Suitable temperature -20° + 40°C
- *Screw:** special screw supplied, head type PZ2



Universal bi-material anchor for hollow and solid material



Technical data

Anchor size	Screw diameter (mm)	Drilling depth (mm) h ₀	Drilling diameter (mm) d ₀	Total anchor length (mm) L	Code		
					without screw	with screw ⁽¹⁾	
5X30	3 - 4	40	5	30	569248	565190	565193
6X35	3,5 - 4,5	50	6	35	569249	565191	565194
8X50	4,5 - 6	65	8	50	569250	565192	565195

Recommended loads (N_{rec}) and ultimate loads (N_{Ru,m}) in kN

TENSILE

Base material	Anchor size	Screw Ø	Ø5	Ø6	Ø8
			3,5	4,5	5
Concrete (≥C20/25)					
N _{rec} ⁽²⁾			0,28	0,33	0,42
N _{Ru,m} ⁽²⁾			1,38	1,67	2,10
Hollow concrete blocks B 40					
N _{rec} ⁽²⁾			0,23	0,25	0,30
N _{Ru,m} ⁽²⁾			1,10	1,25	1,50
Hollow clay bricks					
N _{rec} ⁽²⁾			0,12	0,15	0,17
N _{Ru,m} ⁽²⁾			0,60	0,75	0,85
Plasterboard BA13					
N _{rec} ⁽²⁾			0,10	0,10	0,10
N _{Ru,m} ⁽²⁾			0,50	0,50	0,50

⁽²⁾ Indicative values

APPLICATION

- Lightweight fixing in all base material
- Small electrical accessories, small light fittings, fuse boxes, etc...

MATERIAL

- Body:** reinforced polyamid and elastomer polyamid
Suitable temperature -20° + 70°C
- Type of screw ⁽¹⁾:**
Anchor Ø5, Ø6:
Anchor Ø8: