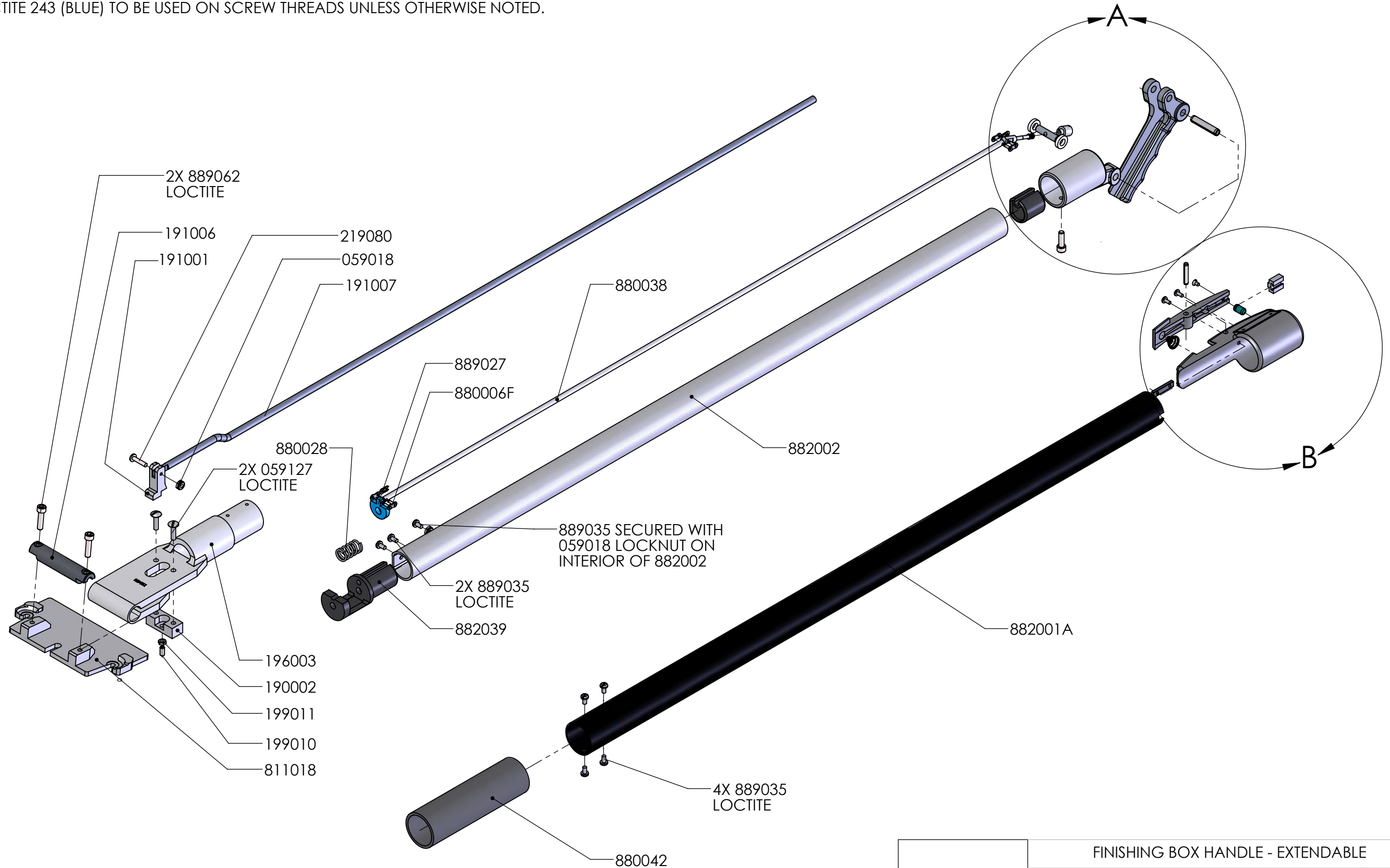
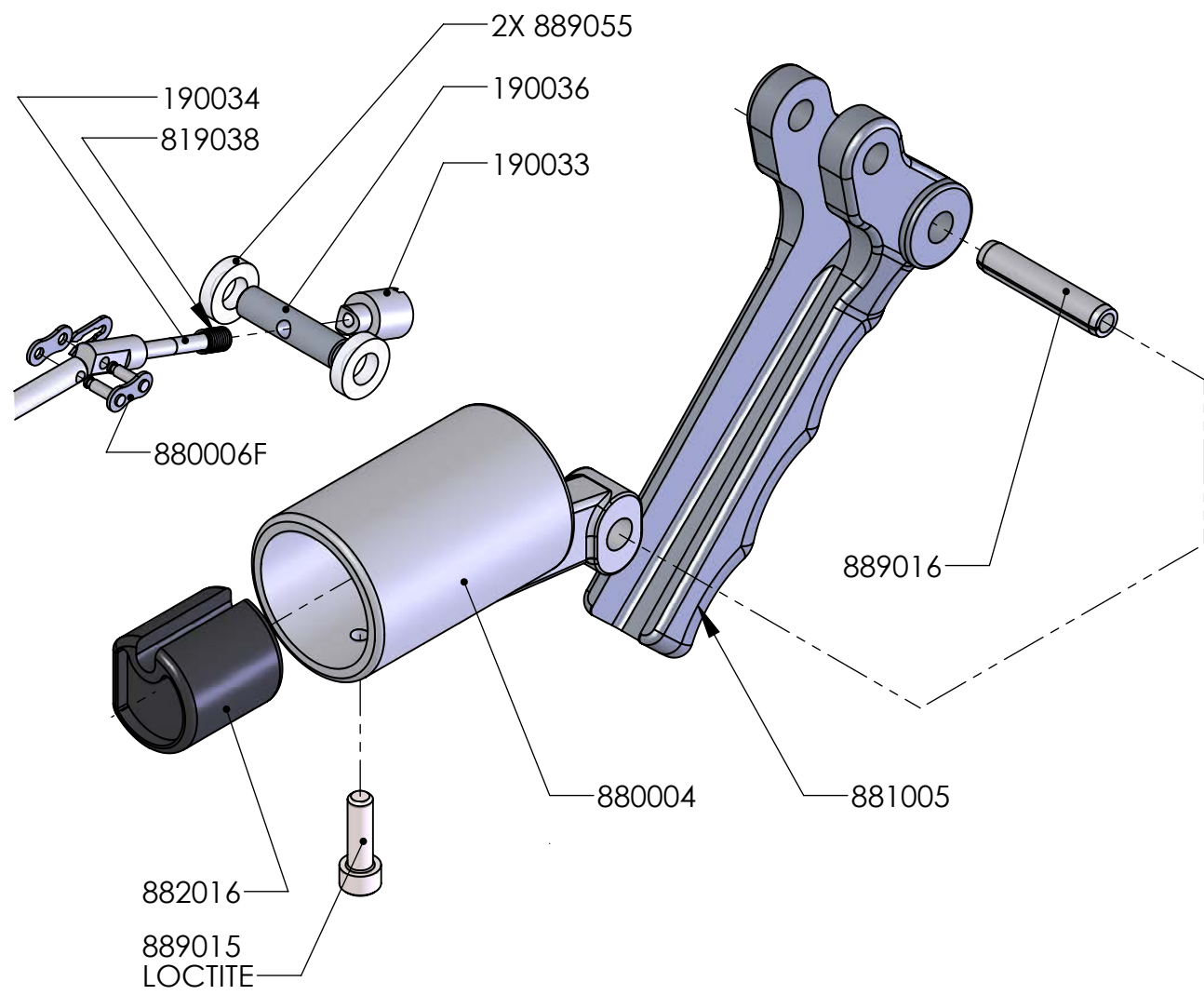


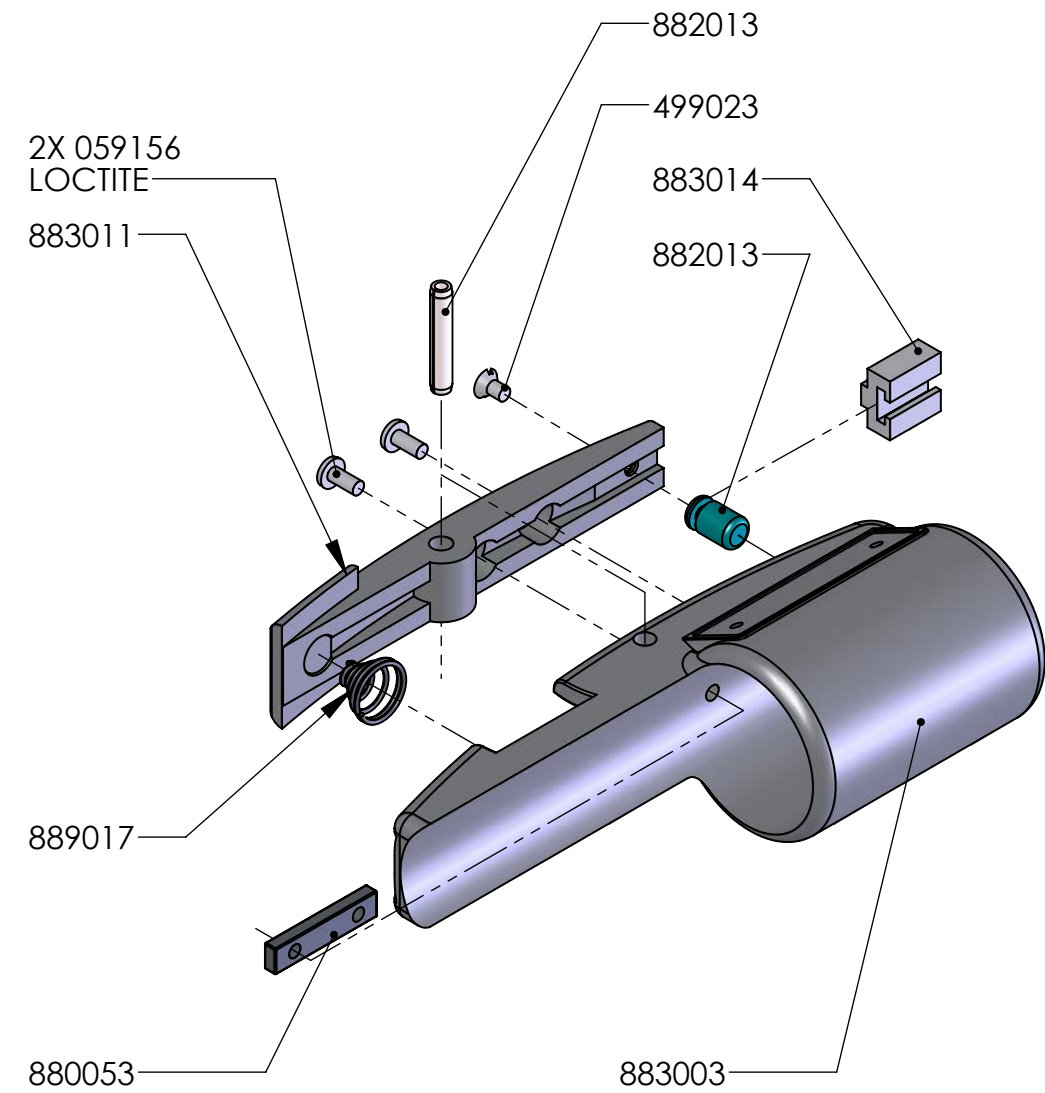
NOTES:
 1. LOCTITE 243 (BLUE) TO BE USED ON SCREW THREADS UNLESS OTHERWISE NOTED.



FBHE-AD	FINISHING BOX HANDLE - EXTENDABLE	
		
		REV. A



DETAIL A
SCALE 3 : 4



DETAIL B
SCALE 3 : 4

FBHE-AD	FINISHING BOX HANDLE - EXTENDABLE	
		REV. A