

READ BEFORE USE

TITAN COMPACT VAULT

MODEL: AS 2020-01 Owner's Manual and Installation Guide

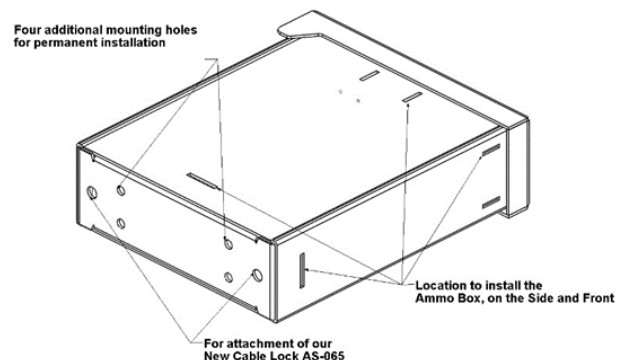
Approved and listed by the California Department of Justice as a firearm safety device when adhering to the guidelines listed below. PLEASE NOTE: Physical alteration or failure to follow these instructions will void the warranty. Physical alteration will also void the product listing under the California DOJ. Further, MISUSE of this product may result in serious injury or even DEATH.

WARNING: YOUR PRODUCT WARRANTY DOES NOT COVER "FORGOTTEN ACCESS CODE" OR DAMAGE CAUSED BY PRODUCT MISUSE. ANY SECURITY SYSTEM IS ONLY AS GOOD AS ITS USER. NO SYSTEM IS 100% CHILDPROOF. FOLLOW ALL INSTRUCTIONS. MAKE SURE THE SAFE IS ALWAYS CLOSED SECURELY AND LOCKED. NEVER GIVE THE COMBINATION TO A CHILD OR LEAVE IT WHERE A CHILD CAN FIND IT. NEVER GIVE THE COMBINATION TO A THIRD PARTY WHO MIGHT GIVE IT TO A CHILD. DO NOT LET A CHILD WATCH YOU ENTER THE COMBINATION. CHANGE THE COMBINATION IF IT IS COMPROMISED.

Product Description and Features: The Titan Compact Vault is a patented gun safe, made exclusively for the legal storage, preservation, and transportation of handguns. Designed for self defense, this device will allow quick access to a handgun in the case of an emergency. Its sturdy construction of 14-gauge hardened steel and patented mounting plates prevent removal and unauthorized access to the firearm. The Titan Compact Vault measures 10" L x 8" W x 2¾" H and weighs 8 Lbs.

Included:

- Titan Compact Vault
- Patented Tactical Holster
- Patented Lock Arm
- Patented Universal Mount
- Patented Universal Bed Mount
- Bed Mount Clamp and Allen key
- All Necessary Hardware
- Owner's Manual and Installation Guide
- Lifetime Warranty



Installation Tips:

Wall Installation: always use a stud locator and secure the mounting brackets over the stud at the intersection to maximize holding force; you should connect to the stud with at least four mounting holes. Use screw anchors if necessary and all available mounting holes.

Floor installation: we have provided Carriage-Bolts as well as Log-Screws. We have also provided sheet metal screws for installations where they are applicable.

Vehicle Installation: Please consult with your dealership if you are not confident with this type of installation. Use the Universal Bed Mount for sideways and upright positioning (*see diagrams on page 2*). For mounting your safe under the seat, use the Universal mount (*see diagram on page 2*). Allow swing clearance for the lid to fully open.

Permanent Installation: There are four additional holes for permanent mounting. The bottom and side holes are reserved for the Titan Cable Lock.

Six additional Slots are reserved for mounting the Titan Ammo Box, Please see the diagram above.

Always ensure the mount is secured to a fixed object:

Note: Please be advised that it's not possible to display all the mounting possibilities with this device, use your best judgment or seek professional installers.

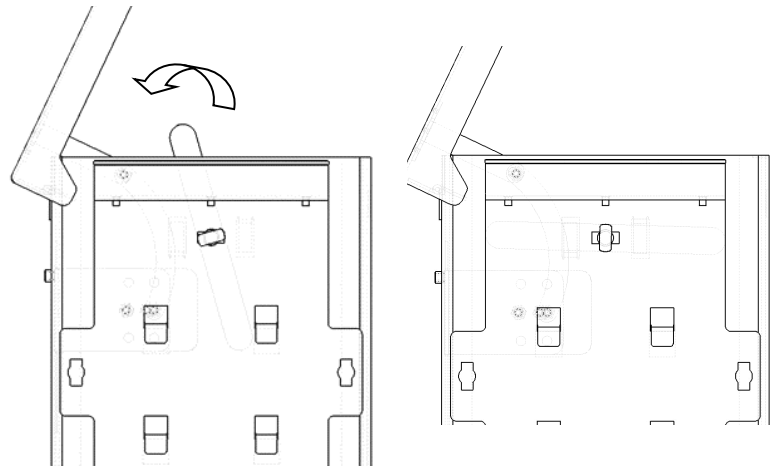
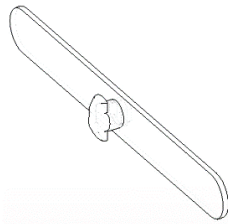
The Titan Cable Lock: In addition to the mounting plates and ideal for mobile use, your safe can also be secured to a fixed object using our mobile Cable Lock. Most commonly used in a hotel room or rental vehicle. "Sold separately".

The Titan Ammo Box: Additional accessory for Spare Mag or for compliance in Storage / Transportation of unloaded firearms. "Sold separately".

Lock Arm Installation:

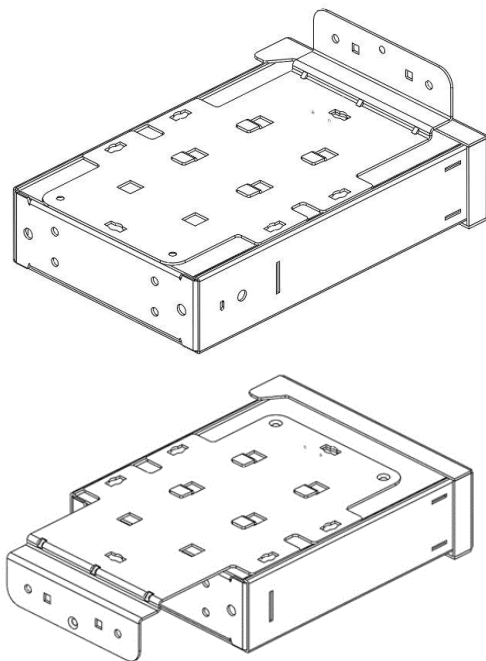
This hardware locks the safe to the bracket from inside of the safe. As you can see across, rotate the lock arm 90° to the rest position. Once the lid is closed, the wingspan of the lock arm prevents it from dislodging itself.

Lock Arm

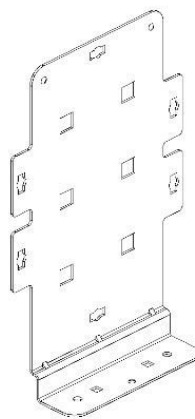


The Universal Bed Mount: This mount is best suited for vehicle and under bed installation and can be installed in eight directions with 32 orientations. Please watch the videos on our website for better visualization.

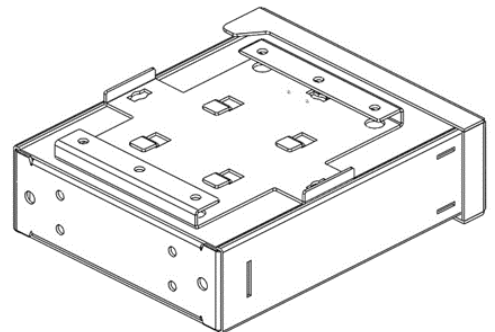
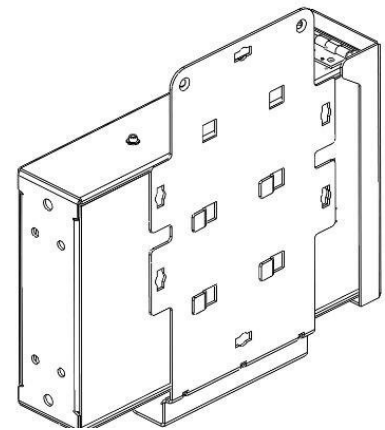
Universal Bed Mount Configurations :



*Suitable for mounting to wooden or metal bed frame or under a vehicles' dashboard.



*Suitable for mounting to the vehicle floor.



The Universal Mount:

This mount is best suited for under or side of a desk, under or over a shelf, behind a night stand, wall or floor installation and can be installed in two directions with 8 orientations. It can also be installed under the seat of a vehicle, if space is available.

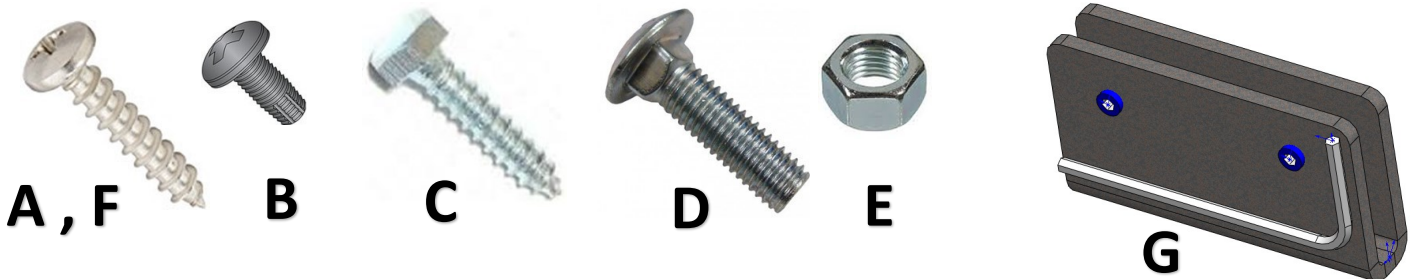
*Choose a direction that best fits your needs and space, then insert the lock arm and rotate to 90°. This will lock your safe securely to the mounting plates preventing the removal of the safe. Please allow for the lid swing clearance for full presentation of your firearm. *The safe cannot be removed while the lid is closed and locked. Always ensure proper installation.*

***NOTE: The security of your Titan Compact Vault depends on how securely the mounting plates are installed. If need be, please seek professional installation assistance. We highly recommend it, safety is our first priori-**

Hardware List:

- A. 4 Panhead sheet metal screws (Size 12) x 1 1/2" Length, used for the Universal Mount: all installation.
- B. 2 Panhead thread forming screws (Size 10) x 1/2" L, used to attach the Universal Bed Mount to the bed railing.
- C. 2 Lag screws (Size 1/4 -24) x 1 1/2 " L, used to attach the Universal Bed Mount to the floor.
- D. 2 Carriage Bolts (Size 1/4 -20) x 1 1/2" L used to attach Universal Bed Mount wood railing or for vehicle installation.
- E. 2 Nuts for hex carriage bolts (Size 1/4 -20) used for the Universal Bed Mount: vehicle installation.
- F. 2 Panhead sheet metal screws *additional spare* (Size 12) x 1 1/2" L, used for the Universal Bed Mount
- G. 1 Bed mount clamp and 1 Hex Allen Key used to attach the Universal Bed Mount to the bed railing.
- H. 1 Lock Arm and 1 *additional spare Truss Head screw* (Size 6-32) used for the Holster Bracket, If you lose one.

**Do not discard the *additional spare screws or Hex Key provided with the bed clamp, they will come in handy if lost.*



The Holster Rack:

Remove the screw at location (1) to take out the assembly. There are six mounting hole locations in which to install the crank-arm. Each mounting hole allows you to change the height of your gun in the safe as desired.

The holster can be moved side to side utilizing screw position (3).

Factory installed location (4) is suitable for most medium sized automatic pistols and small revolvers.

Hold open feature when mounted sideways:

Relocate pivot arm to location (2) indicated. To close the lid **DO NOT** force it, instead lift the gun and holster or push the plate in to the track as indicated by the arrow and then close the lid.

*Note: Your product warranty will **NOT** cover damage caused by failure to adhere to these instructions.

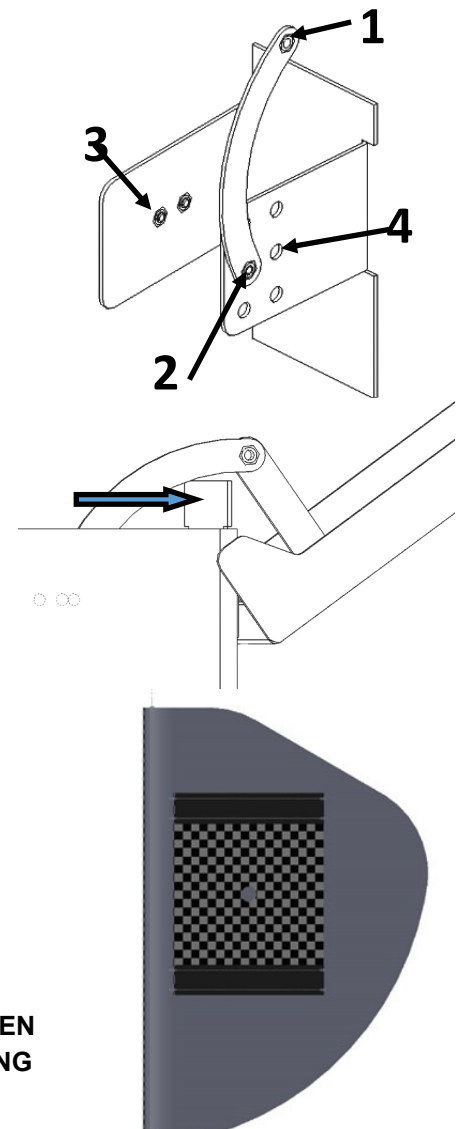
The Holster:

With a capacity to fit one pistol up to 8 inches in length. Your pistol will fit snugly in our revolutionary universal holster. Semi-automatic & Revolvers.

Your Safe is equipped with our universal holster; it's for all semi-automatic pistols O-frame and small J-frame sub compact guns. **It will not accommodate light attachments. This safe was primary designed for carry guns.**

*NOTE: Please contact us if you need a left-handed kit or a directional fire-arm reversal kit.

WARNING: YOU MUST HOLD THE LID DOWN WITH YOUR OTHER HAND WHEN PLACING YOUR GUN IN THE HOLSTER TO PREVENT THE LID FROM CLOSING ON YOUR FINGERS.



Bed rail Installation:

Install the Bed Mount clamp so that the set screws are facing the mattress, as shown. We recommend that you also drill Ø3/16" pilot holes and use #10-24 x 1/2" Sheet Metal Self Tapping Screws, make sure to lubricate and DO NOT use power screwdrivers. Mount to the frame and if necessary cut the excess before placing down your bed. Additionally, you can even use steel rivets in place of provided screws to secure the Bed Mount.



Combination Change Guideline:

Read the instructions once over before attempting to change the combination. Additionally, we recommend watching the combination change video, which you can find on our website in the drop-down menu labeled "Media." *Don't change the code until fully installed so you can practice opening the safe with closed eyes.*

Sequential Locking Mechanism:

- Boasting a fully mechanical sequential locking system, there are no numbers to memorize, no keys to lose or batteries to replace. There are also no illuminated keypads, no annoying lights or sounds and no biometrics to fail.
- Over 2000 possible security combinations. The combination may be changed multiple times, as long as the current code is known. This is for absolute security and will be the only way to open the safe.
- The turn knob is equipped with a built-in clutch, to prevent forced entry. If forced, it will rotate and change direction by 90° as many times as it is turned.
- Combinations can be as simple as using one button (not recommended) or in a sequence of all five buttons in both individual and multiples. Each button can only be used once.
- Multiple buttons being used simultaneously creates a "childproof" lock. Children will generally push buttons individually, not multiple at the same time.
- Raised buttons provide easy operation without visual contact.

If the safe does not open on first try, access has been attempted. Turn the knob counterclockwise to clear the chamber and try to open the safe again, it will work every time.

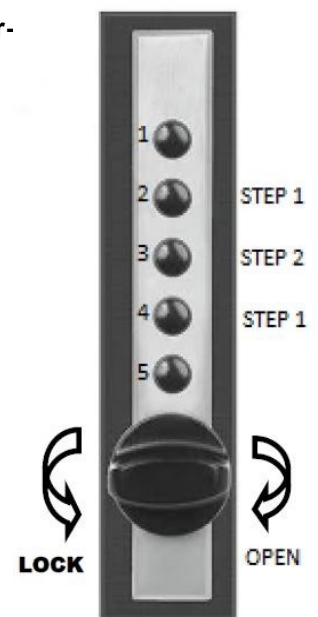
Factory Default Combination:

- A. Press the second + fourth buttons simultaneously, release, then press third button once.
- B. Turn the knob clockwise to open.
- C. Turn the knob counterclockwise to lock and or reset.

*****Choose a combination** Your new code can be a selection of individual buttons, simultaneous or selection of both. We do not recommend the use of one button only.

Please remember in a mechanical lock you **CAN'T** push same button twice but multiple buttons can be pushed at the same time when you are programming your lock.

Do not lock the safe until you are 100% sure that the new programmed code works.

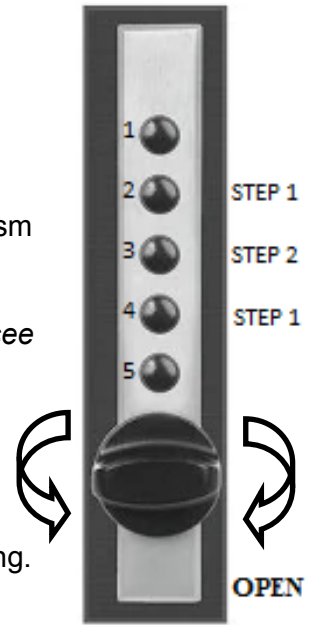


(Figure 1)

COMBINATION CHANGE PROCEDURE:

To Start, the door must be open and keep one hand under the lid:

- 1) Turn the knob to the left (counter clockwise all the way) and release (see figure 2).
- 2) Enter the current combination then let go of the buttons, **do not** touch the knob.
- 3) Flip the lid open and press the reset lever on the back side of the locking mechanism inside the safe (far side of lock towards hinge), you will feel a click (see figure 3).
- 4) Turn the knob to the left for the second time (45° counter clockwise) and release (see figure 2). This action will erase the preset code.
- 5) Enter the new combination and **write it down** on below.
- 6) Turn knob 90° degrees clockwise as if to open the safe (see figure 1).
- 7) The new combination is now set. Test the new code to ensure it works before closing.



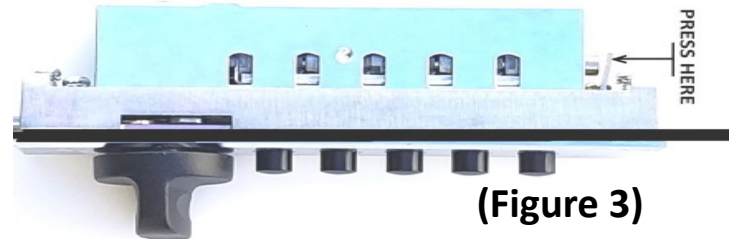
(Figure 2)

We use sequence format not numbers for best recall.

- A counter clockwise turn is to clear or to lock the safe.
- In combination change mode, a counter clockwise turn is to clear the old code.

Additionally, we recommend watching the combination change video, which you can find on our website in the drop-down menu labeled “Media.”

***Practice your new designated code to develop muscle memory. Practice entering the code and opening your safe until you can access your fire-arm in three seconds with your eyes closed.**

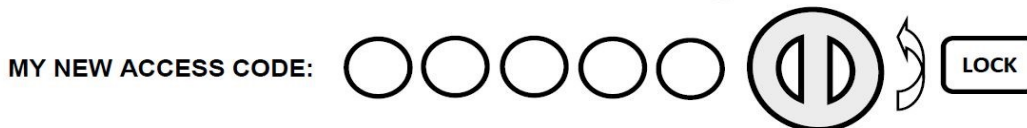
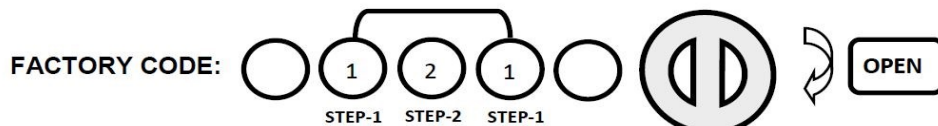


(Figure 3)

Important Points:

- a) Do not try to force the safe open at any time. When the correct code is entered it will open smoothly.
- b) A counter clockwise turn of the knob is used to clear the wrong code or lock the safe when it is in open position.
- c) In combination change mode, a counter clockwise turn is to clear the old code.
- d) If the wrong combination is entered while operating the lock, turn the knob to the left (counter clockwise) and release. This will clear any previously entered codes, then enter the correct combination and turn the knob clockwise to open it.

***RECORD YOUR NEW ACCESS CODE IN SEQUENTIAL ORDER JUST LIKE THE FACTORY CODE. KEEP IT IN A SAFE LOCATION WHERE YOU CAN FIND IT. PLEASE SEE EXAMPLE: WRITE YOUR CODE SEQUENTIAL SEE EXAMPLE BELOW. MOST HUMANS REMEMBER SEQUENCE BETTER THAN NUMBERS.**



{ THIS IS A HARDEN STEEL SAFE, IF YOU FORGET YOUR COMBINATION IT IS HARD TO CUT, HARD TO DRILL , COSTLY TO REPLACE THE LOCK. CONTRARY TO SOME BELIEF ITS NOT POSSIBLE TO OPEN THE SAFE WITH A MAGNET. }

Troubleshooting:

Symptom/problem: Turning the outside control knob clockwise always retracts latch even though no buttons are depressed.

Cause: *Lock is in zero combination. (You did not follow the combination change process correctly).*

Solution: Follow the procedure for setting a new combination except omit **step 2**. Revert back to the factory code enter the factory code in step 5. Start all over again.

Additionally, we recommend watching the lost combination video, which you can find on our website in the drop-down menu labeled “Media.”

***Practice your new designated code to create muscle memory. Practice entering the code and opening your safe until you can access your firearm in three seconds. If you can not...keep practicing!**

If the wrong combination is entered while operating the lock, turn the knob to the left (counter clockwise) and release. This will clear any previously entered codes and reset the system, then enter the correct combination and turn the knob clockwise to open it.

A clockwise turn will OPEN the safe. If the knob jumps to a 90° turn, you did not enter the correct code. This feature has been added as protection against forced entry.

DO NOT RETURN THIS PRODUCT TO A STORE, PLEASE CONTACT US DIRECTLY WITH QUESTIONS, FOR SUPPORT AND/OR TROUBLESHOOTING. Contact info on the last Page.

Warranty: We warrant that all products manufactured by Titan Security Products, Inc. are free from defects in material and workmanship. Our products are designed for the sole purpose explained herein this manual and when used properly. Your new Titan Pistol Vault is a high-quality product which will give you years of service and backed by Dorma Kaba Access Controls for Simplex® push-button mechanical lock and has a one-year manufacturer warranty. You also have a lifetime warranty on workmanship and materials as of September 1st, 2014. If the product has become impaired or used other than in which we intended, the warranty shall be limited, at our discretion, to the price charged by us for the product and/or for product replacement or repair and product MUST be sent to our factory.

Frequently Asked Questions:

1. Is your safe fire rated?

We do not have a UL fire rating, nor does any company making a quick access handgun safe. The intent is to prevent unauthorized access to a firearm yet fast and easy access to the owner of the firearm.

2. Do your pushbutton locks have a key backup?

No! Backup key locks for small pistol safes are designed to override an electronic lock during the loss of power situation. However, a backup key lock jeopardizes the security of the safe as it allows anyone who finds the key entry to the safe even when the electronic lock is working. The Simplex® push button mechanical lock (no batteries) has a tried and true reputation as the industry leader in push button locks for over 30 years. Additionally, the new knob and built-in clutch also prevent forced entry. It will open for you day or night, hot or cold, every time you enter your secret code. **(No code + no bypass = no entry = True Security)**

3. How do I get into my safe if I have forgotten my combination?

There is no special override combination or secret manipulation of the buttons or knob that will give anyone access to your safe. **Write your combination down and keep it hidden, not inside the safe.** For access to your safe without the combination, you have four choices: (1) Cut it open with a torch, although this is not recommended. **Contact us first.** (2) Hire a reputable locksmith. Make sure the locksmith has knowledge of the Simplex® pushbutton lock. (3) Random entry of possible combinations or **call us.** (4) If the safe is empty and not bolted down, you can arrange to return to us for lock replacement; **our warranty does not cover forgotten access codes** and as such, there is a charge associated with lock replacement.

4. Can I carry a loaded handgun in my car if the gun is in a safe?

In most states, this is not legal. If your state has gun laws that prohibit the transportation of loaded handguns in vehicles, the use of our safe will not exempt you from those laws. In many states, including California, handguns are required to be unloaded in an approved locked container with the ammunition secured separately when transported in a vehicle. Our Titan Compact Vault & Ammo Box does just that. Regardless it is very important to know the gun transportation laws in your local city, county, and state. These laws can and do vary greatly. If you travel from state to state, a good source for current state gun laws is the National Rifle Association's web site www.nra.org.

5. Concern with the safe being childproof

Your Safe was tested and approved by the California Department of Justice as firearm safety device.

Some of the test requirements include a 250-lb Safe door pull test, a 120 strokes hacksaw with a load of 10 pounds, Lock manipulation, Drop test and Impact test. This unit far exceeds above these requirements.

NO SYSTEM IS 100% CHILDPROOF. FOLLOW ALL INSTRUCTIONS. MAKE SURE THE SAFE IS ALWAYS CLOSED SECURELY AND LOCKED. NEVER GIVE THE COMBINATION TO A CHILD OR LEAVE IT WHERE A CHILD CAN FIND IT. NEVER GIVE THE COMBINATION TO A THIRD PERSON WHO MIGHT GIVE IT TO A CHILD. DO NOT LET A CHILD WATCH YOU ENTER THE COMBINATION. CHANGE THE COMBINATION IF IT IS COMPROMISED.

6. What about moisture getting inside my safe?

Although this device is for indoor use, the black powder coat finish is weather and moisture resistant.

7. Can I weld on my safe?

No, welding will void your warranty; it weakens the heat-treated steel.

8. Can I drill holes in the safe if the factory holes will not work for my application?

No, the two universal mounting brackets will allow you to install the Titan Compact Vault in every conceivable application. We have added holes in the base for this purpose.

9. Where is the best location for my safe?

Close at hand. Think about convenience and accessibility. Think stealth, as a well-hidden safe adds to its security. The people that are going to use the safe are important when deciding on a location. Furthermore, time of day may be a factor as well as the days of the week. Are you alone during the weekends? Is your home full of people on the weekends? Many people have found that two locations will give better security in large spread out homes and homes with more than one level (two stories). Two guns in separate locations are better than two guns in the same safe, during a situation when you need to defend yourself and family. Remember, you are the only one that can gain access to your safe (s). The intruder cannot gain access to the handgun at your location.

A. Entry areas where you first come into your home such as a garage, the front door entryway, back and side entries to the mudroom. Ask yourself these questions. Will you be bringing a handgun home with you and want to lock it up as soon as you enter your home? Will you want access to your handgun when you first come home? (Did someone follow you home? Is there already someone uninvited in your home when you arrive?) Your main concern should be for the safety of the members of your household. Your handgun should be in your possession or locked up.

B. Home office areas, especially if you work late at night.

C. Dense, family and grand rooms can be good and bad locations for your safe. You may spend most of your waking hours in these central areas but so do your family and friends.

D. The master bedroom is by far the most popular and practical room for the storage and quick access to a handgun. The master bedroom is a secure room as it is usually off limits to other members of the family unless invited and it has a phone to call for help. Furthermore, the universal bed mount will allow you to place your safe on your bed frame where you can reach while you are laying down. Securely mounting your safe and hiding its location is highly recommended.

10. What is a good combination to set my safes to lock to?

Changing your safe combination from the factory setting is highly recommended. **Always write down a new setting**, and do not lock your instructions inside the safe. You can choose from one to five buttons and each button can only be pushed once, multiple buttons can be pushed together. We do not recommend setting the combination to less than three buttons.

11. What happens if my safe is attacked, can I still get in?

Your safe is built with 14GA harden steel and is designed to withstand attacks by hammers, screwdrivers, pry bars, drills, kicking, picking devices and being run over by a truck. It takes industrial type steel cutting tools or an acetylene torch to cut open our safe. If your safe is attacked and the knob, buttons, and faceplate are damaged; you can still gain access with little problem. Instructions on how to gain access to your safe after it has been attacked will not come with your safe. With proper warranty identification, we can help you over the phone. **You still must know your combination to gain entry.**

12. Is it all right to leave my gun loaded inside the safe?

This is your personal decision and one that comes with your responsibility as a gun owner. For safety purposes, we recommend that your gun is not loaded. If you are not sure how to keep your gun, ready and safe for you to handle, ask someone with experience. We recommend training and practicing with your handgun.

13. How many guns can I place in my safe?

One handgun per safe and it is our philosophy that it takes one reliable weapon to defend you against an intruder. However, for increased security, you may install Titan Compact Vault in various locations, ready for quick and immediate access. Do not store other items with your weapon as it hinders its operation. You can add the Titan Ammo Box for storage of extra magazines or a flashlight.

14. Do the buttons light up at night?

No, the buttons do not light up. They are raised and spaced out to make their operation in the dark or without visual contact very easy. After 2 or 3 times of practice, you will be surprised at how fast you can open it without eye contact. In less than 3 seconds you will be ready and armed.

15. Should I bolt my safe down to something?

Most people do, we highly recommend it. The safe standing unattached will keep children out and deny access to the handgun at your location. Do not lose your property to a punk burglar! Consider the replacement cost of your gun and the laws that govern handguns and your responsibility. We have provided two mounting brackets for your Safe to be secured to a permanent location. In addition, you can utilize our cable lock system.

16. How will your safe stand up against extreme temperatures?

The pushbutton lock used in our safes is mechanical "Fail Safe". It does not use batteries that are affected by extreme temperatures, as electronic locks that rely on batteries have problems with extreme heat and cold. Battery life needs to be closely monitored when exposed to high and low temperatures; many such devices open just by vibration or static discharge.

17. Do you make a safe for shotguns and rifles?

Not at the present time, although it will be included in our future product lines.

18. Do you have a safe that will fit under the front seat of my car?

Yes, your new safe fits under the seats or either side of the center console of many cars and trucks. You can use one of the two universal mounts for this type of installation. In most cases, it is not necessary to remove the seat in order to mount the safe. "See question No. 4, above" You can also utilize the cable for this type of installation.

19. Can I mount my safe upside down?

Yes. Our safe is designed to operate upside down, on its side and standing on end. Our safe's versatility in mounting is a very strong feature and gives you plenty of mounting options.



The Mobile Cable Locking Option:

In addition to your mounting brackets; this product can also be secured by a cable lock. This is ideal for mobile use in a hotel room or a rental car. You can use off the shelf Laptop Cable Locks or our new Cable Lock AS-2065 available on our website to secure your Safe to any stationary object.

Contact Information

BY MAIL: Titan Security Products Inc.
4225 Oceanside Blvd, Ste H-143
Oceanside, CA. 92056
BY PHONE: (800) 930-6430
BY EMAIL: info@titangunvault.com

WEBSITE: www.TitanVault.com
FACEBOOK: @titanpistolvault
INSTAGRAM: @titanpistolvault
Office Hours: 9 am –1 pm

Copyright © 2006; all rights reserved.

Revised: OCT 20 -2020