

INSTALLATION

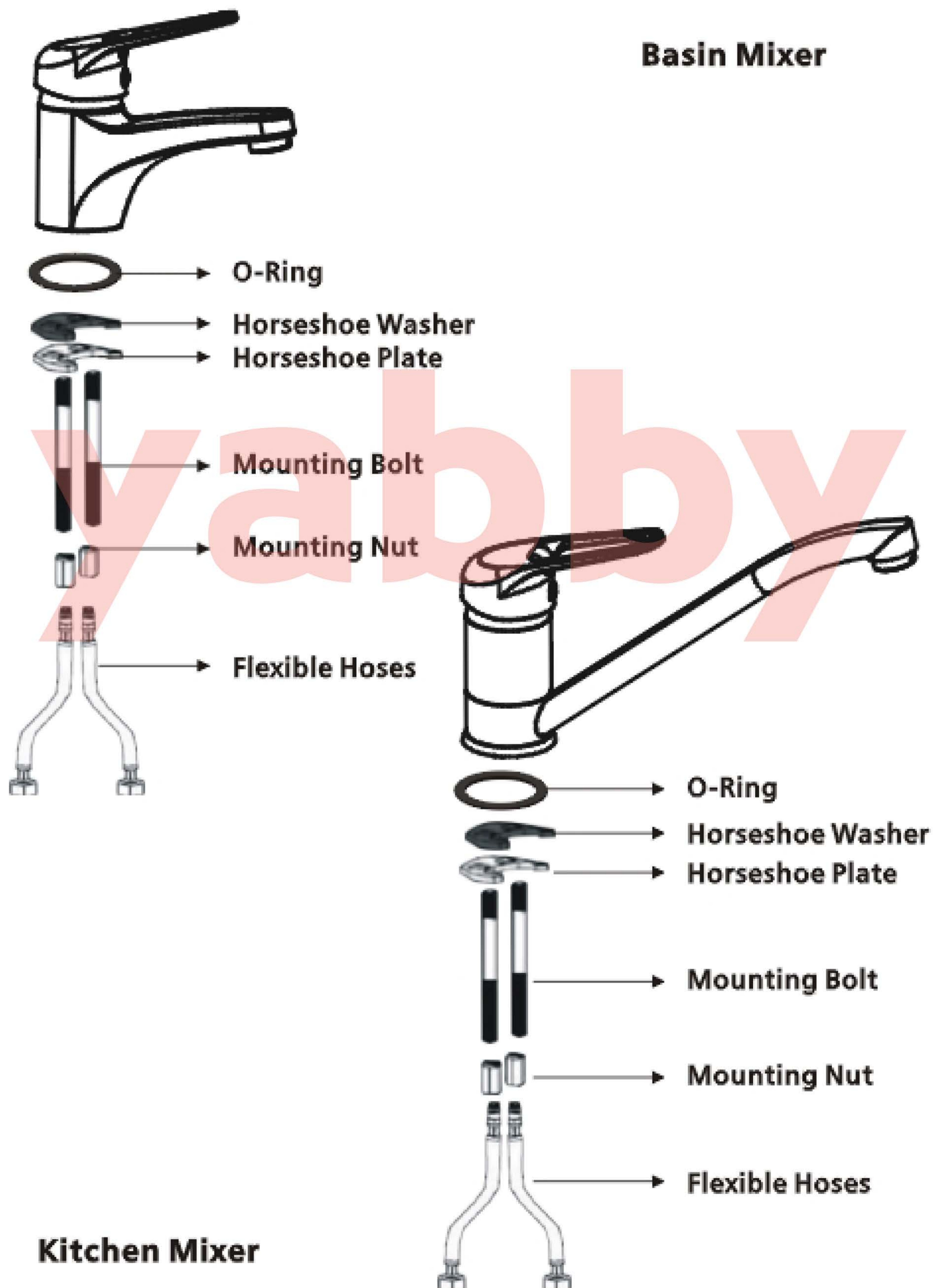
MANUAL

TAPWARE

The logo for 'yabdy' is rendered in a light pink, lowercase, sans-serif font. The letters are widely spaced and partially overlap the text 'MANUAL' and 'TAPWARE' which is centered over it.

BASIN OR KITCHEN MIXER

Congratulations for purchasing this quality mixer. Our product is manufactured to the highest quality under strict quality control procedures.



INSTALLATION INSTRUCTIONS

- 1. Place O Ring Washer over the hole in basin/kitchen where the mixer is to be installed;**
- 2. Fit the mixer body onto the basin/kitchen hole;**
- 3. Place the horseshoe washer on top of the horseshoe plate and fit it onto the mounting bolt using the mounting nut to tighten up the mixer from the underneath of the basin/kitchen;**
- 4. Install the flexible hoses now and ensure the flexible hoses are hand tightened into place (DO NOT USE SPANNER TO TIGHTEN AS IT CAN DAMAGE THE O RING). the flexible hoses are to be fitted into the correct inlets for hot water and for cold water (Red band for hot and blue band for cold)**
- 5. It is important to flush out the supply pipes before installing the mixer and connecting the flexible hoses to hot/cold water supply, regardless whether a stop valve and filter has been installed or not. This procedure will stop foreign objects entering the cartridge.**

WARRANTY TERMS

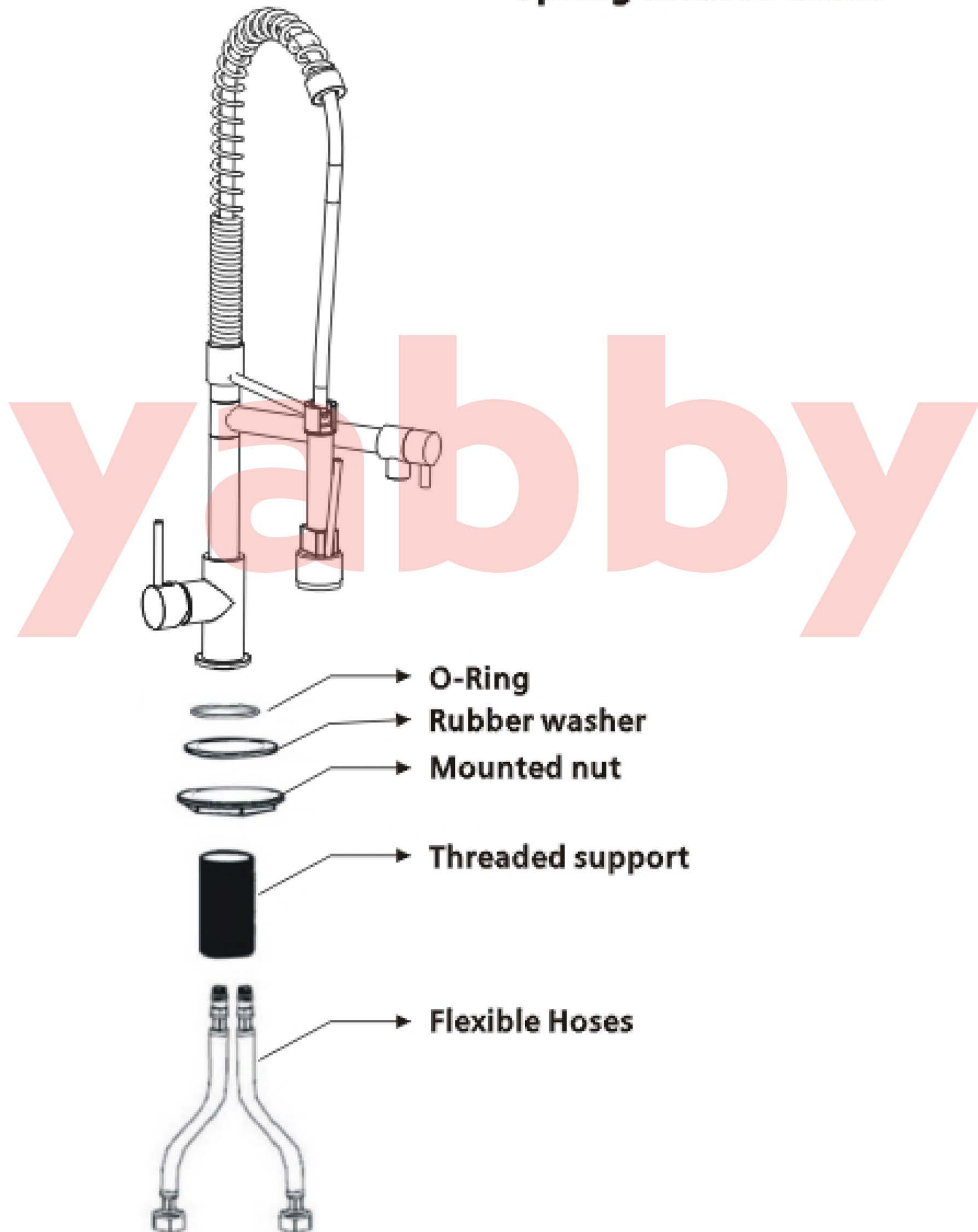
All products are guaranteed as follows:

- 1. 5 years guarantee against casting defaults and porosity;**
- 2. 3 years guarantee against cartridge and valve defaults;**
- 3. 12 months guarantee on washers and O rings;**
- 4. 12 months guarantee on finish.**

SPRING KITCHEN MIXER

Congratulations for purchasing this quality mixer. Our product is manufactured to the highest quality under strict quality control procedures.

Spring Kitchen Mixer



INSTALLATION INSTRUCTIONS

- 1. Place O Ring Washer over the hole in kitchen where the mixer is to be installed;**
- 2. Fit the mixer body onto the kitchen hole;**
- 3. Place the horseshoe washer on top of the horseshoe plate and fit it onto the mounting bolt using the mounting nut to tighten up the mixer from the underneath of the kitchen;**
- 4. Install the flexible hoses now and ensure the flexible hoses are hand tightened into place (DO NOT USE SPANNER TO TIGHTEN AS IT CAN DAMAGE THE O RING). the flexible hoses are to be fitted into the correct inlets for hot water and for cold water (Red band for hot and blue band for cold)**
- 5. It is important to flush out the supply pipes before installing the mixer and connecting the flexible hoses to hot/cold water supply, regardless whether a stop valve and filter has been installed or not. This procedure will stop foreign objects entering the cartridge.**

WARRANTY TERMS

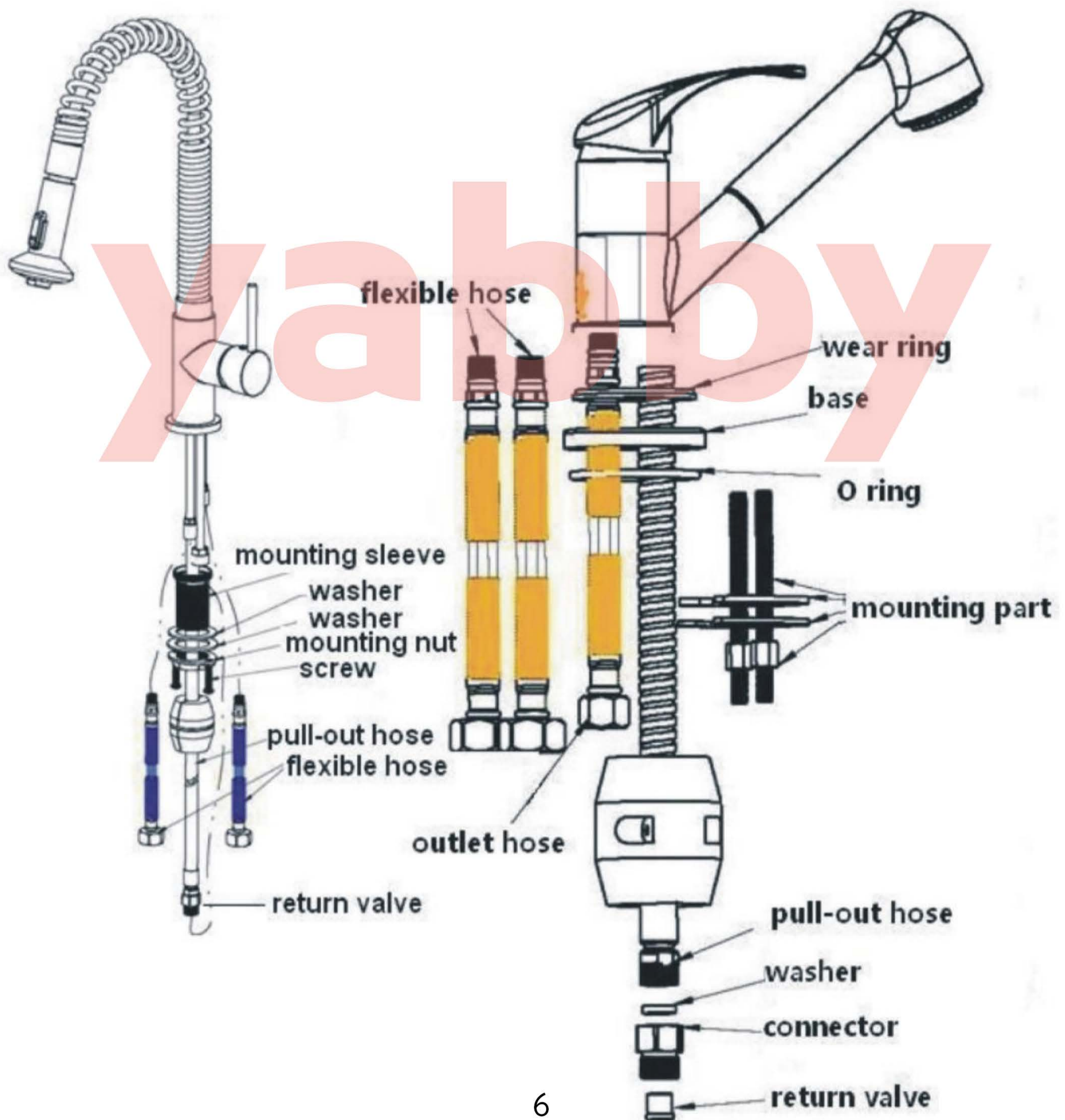
All products are guaranteed as follows:

- 1. 5 years guarantee against casting defaults and porosity;**
- 2. 3 years guarantee against cartridge and valve defaults;**
- 3. 12 months guarantee on washers and O rings;**
- 4. 12 months guarantee on finish.**

PULL-OUT KITCHEN MIXER

Congratulations for purchasing this quality mixer.
Our product is manufactured to the highest quality
under strict quality control procedures.

Pull-out Kitchen Mixer



INSTALLATION INSTRUCTIONS

1. Place O Ring Washer over the hole in kitchen where the mixer is to be installed;
2. Fit the mixer body onto the kitchen hole;
3. Place the horseshoe washer on top of the horseshoe plate and fit it onto the mounting bolt using the mounting nut to tighten up the mixer from the underneath of the kitchen;
4. Install the flexible hoses now and ensure the flexible hoses are hand tightened into place (DO NOT USE SPANNER TO TIGHTEN AS IT CAN DAMAGE THE O RING). the flexible hoses are to be fitted into the correct inlets for hot water and for cold water (Red band for hot and blue band for cold)
5. Put return valve connector washer in pull-out hose and make them connect to the outlet hose. (Whether the low water pressure cause the mixer flow water very small or no water flow out, please do not use this valve in hose.)
6. It is important to flush out the supply pipes before installing the mixer and connecting the flexible hoses to hot/cold water supply, regardless whether a stop valve and filter has been installed or not. This procedure will stop foreign objects entering the cartridge.

WARRANTY TERMS

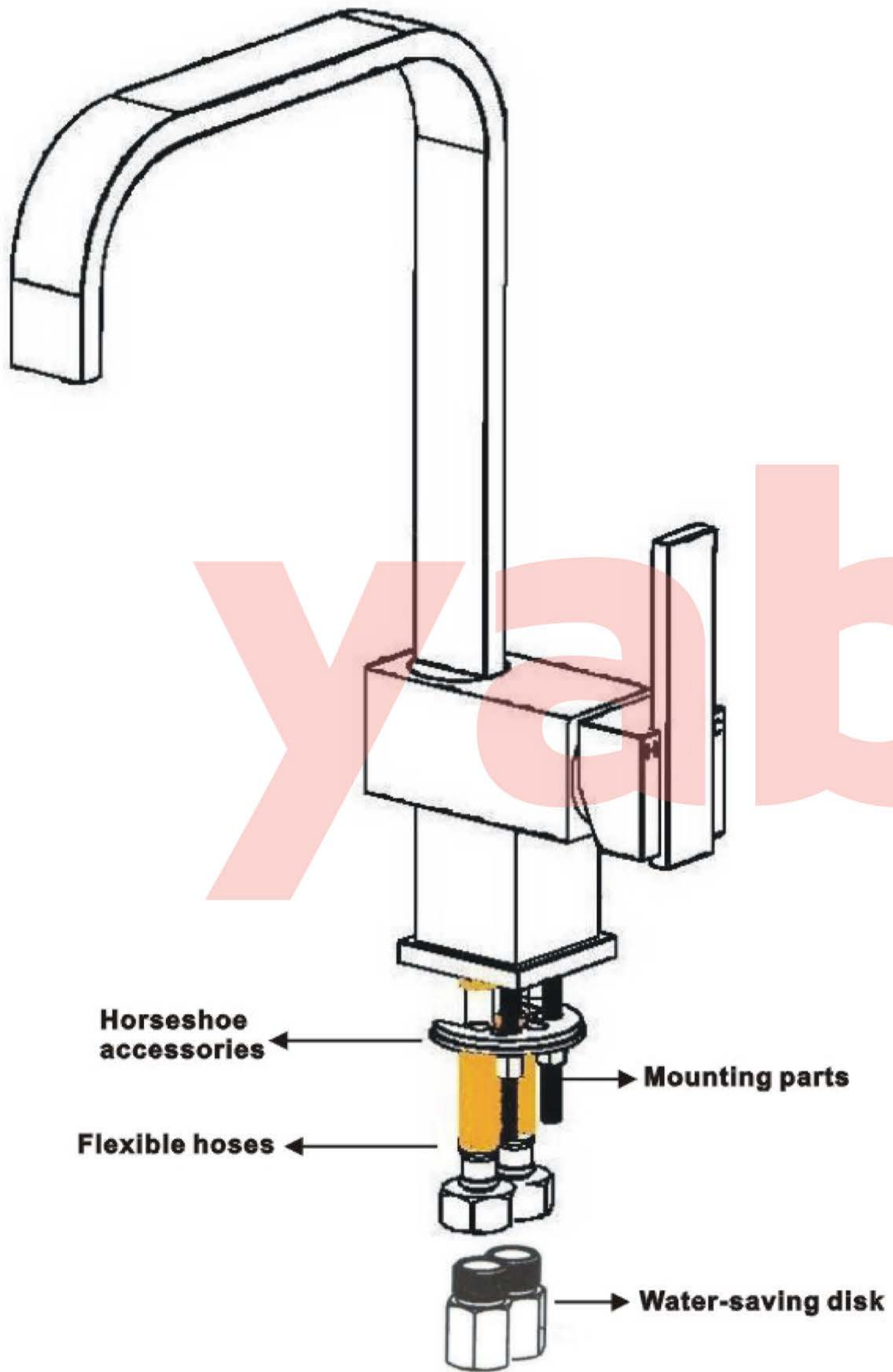
All products are guaranteed as follows:

1. 5 years guarantee against casting defaults and porosity;
2. 3 years guarantee against cartridge and valve defaults;
3. 12 months guarantee on washers and O rings;
4. 12 months guarantee on finish.

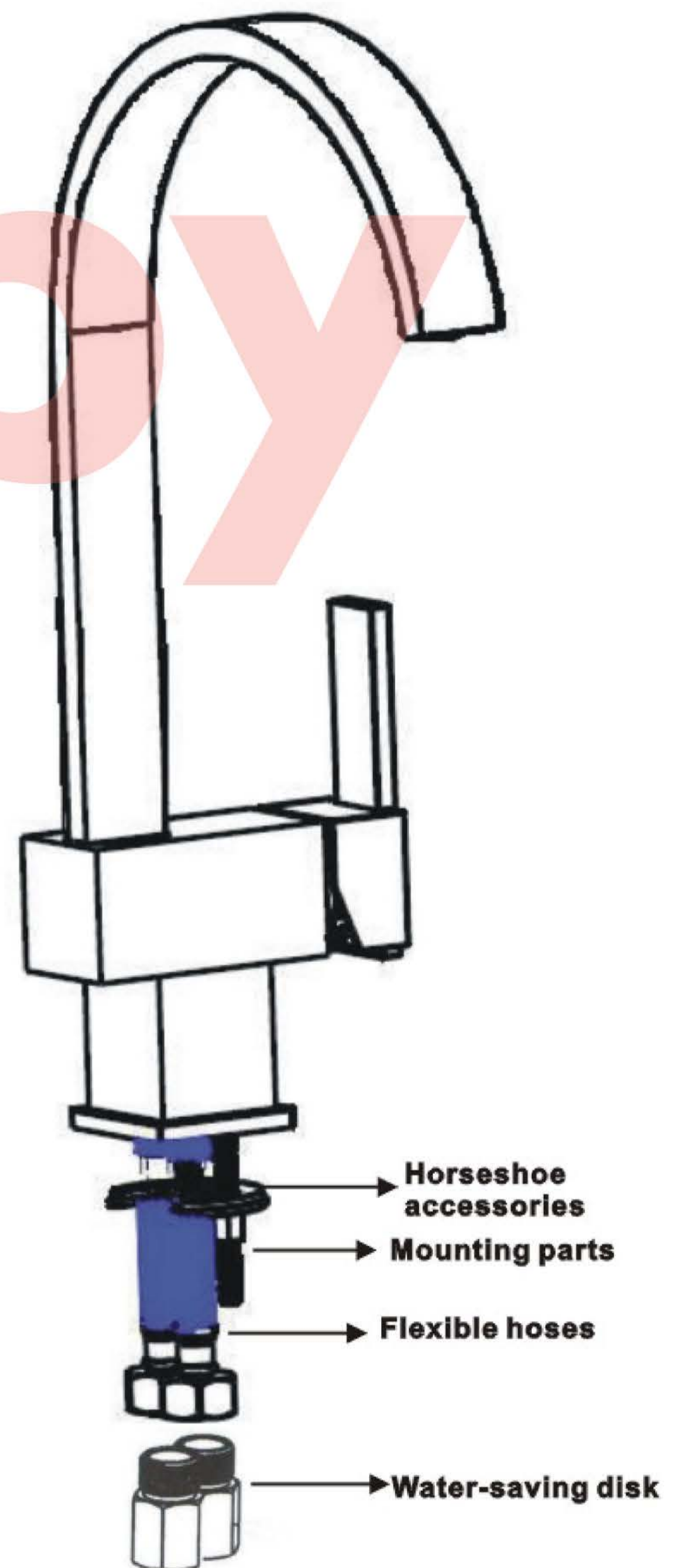
KITCHEN MIXER

(CP-F0030-0,CP-F0031-0)

Congratulations for purchasing this quality mixer.
Our product is manufactured to the highest quality
under strict quality control procedures.



Kitchen Mixer



INSTALLATION INSTRUCTIONS

1. Place O Ring Washer over the hole in kitchen where the mixer is to be installed;
2. Fit the mixer body onto the kitchen hole;
3. From underneath the kitchen sink, place the rubber washer on the top of the metal plate, and fit washer onto the mounting screw, using the mounting nut to tighten the screw.
4. Install the flexible hoses now and ensure the flexible hoses are hand tightened into place (DO NOT USE SPANNER TO TIGHTEN AS IT CAN DAMAGE THE O RING). the flexible hoses are to be fitted into the correct inlets for hot water and for cold water (Red band for hot and blue band for cold)
5. Install the water-saving disk.
6. It is important to flush out the supply pipes before installing the mixer and connecting the flexible hoses to hot/cold water supply, regardless whether a stop valve and filter has been installed or not. This procedure will stop foreign objects entering the cartridge.

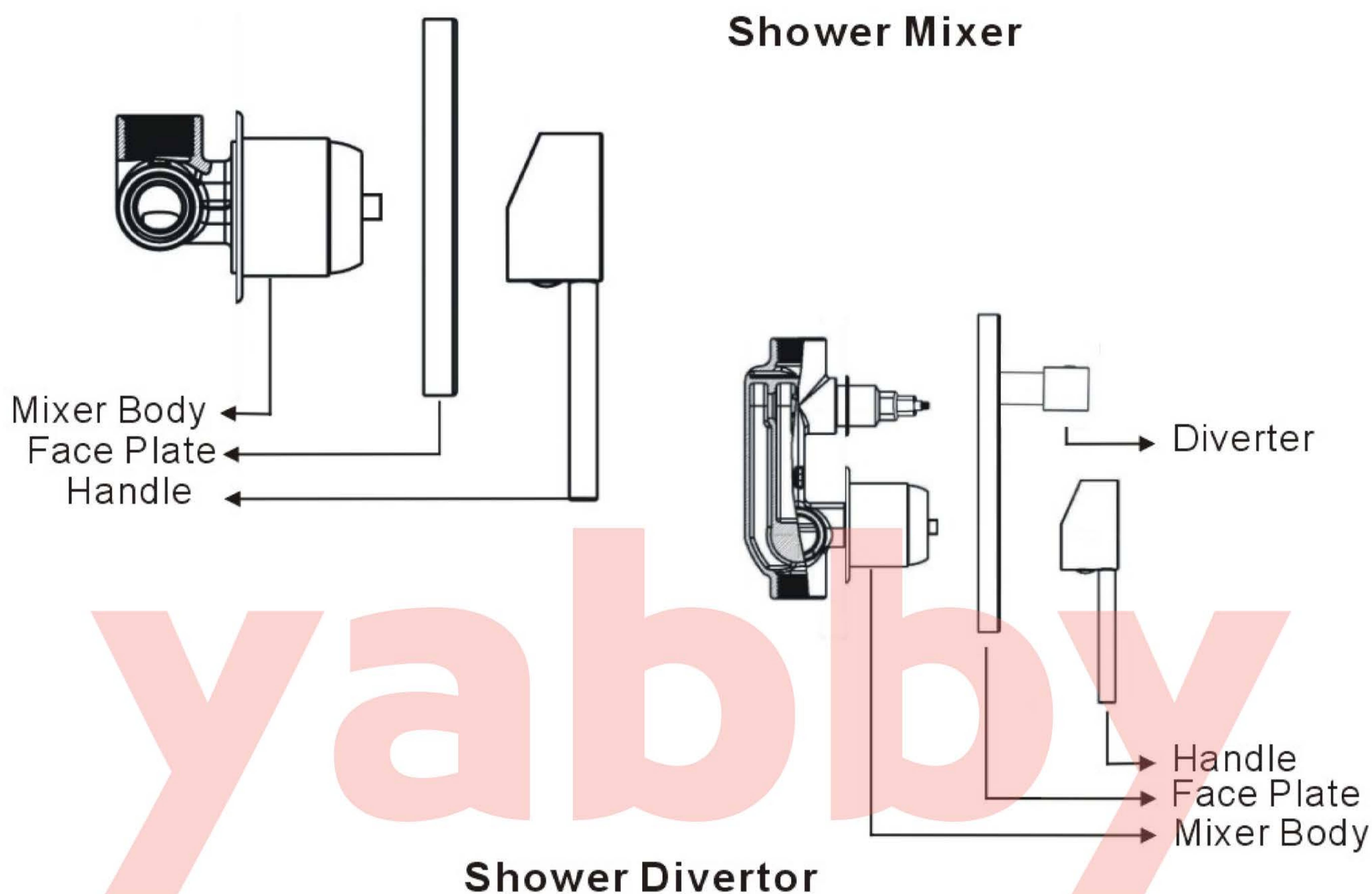
WARRANTY TERMS

All products are guaranteed as follows:

1. 5 years guarantee against casting defaults and porosity;
2. 3 years guarantee against cartridge and valve defaults;
3. 12 months guarantee on washers and O rings;
4. 12 months guarantee on finish.

SHOWER MIXER OR DIVERTOR

Congratulations for purchasing this quality mixer. Our product is manufactured to the highest quality under strict quality control procedures.



INSTALLATION INSTRUCTIONS

1. Mount the mixer body into the wall, connect the body with the inlet and outlet pipes;
2. Install the faceplate onto the protective cylinder;
3. Put the fixing washer on the faceplate, install the diverter onto the mixer body and tighten with a spanner.

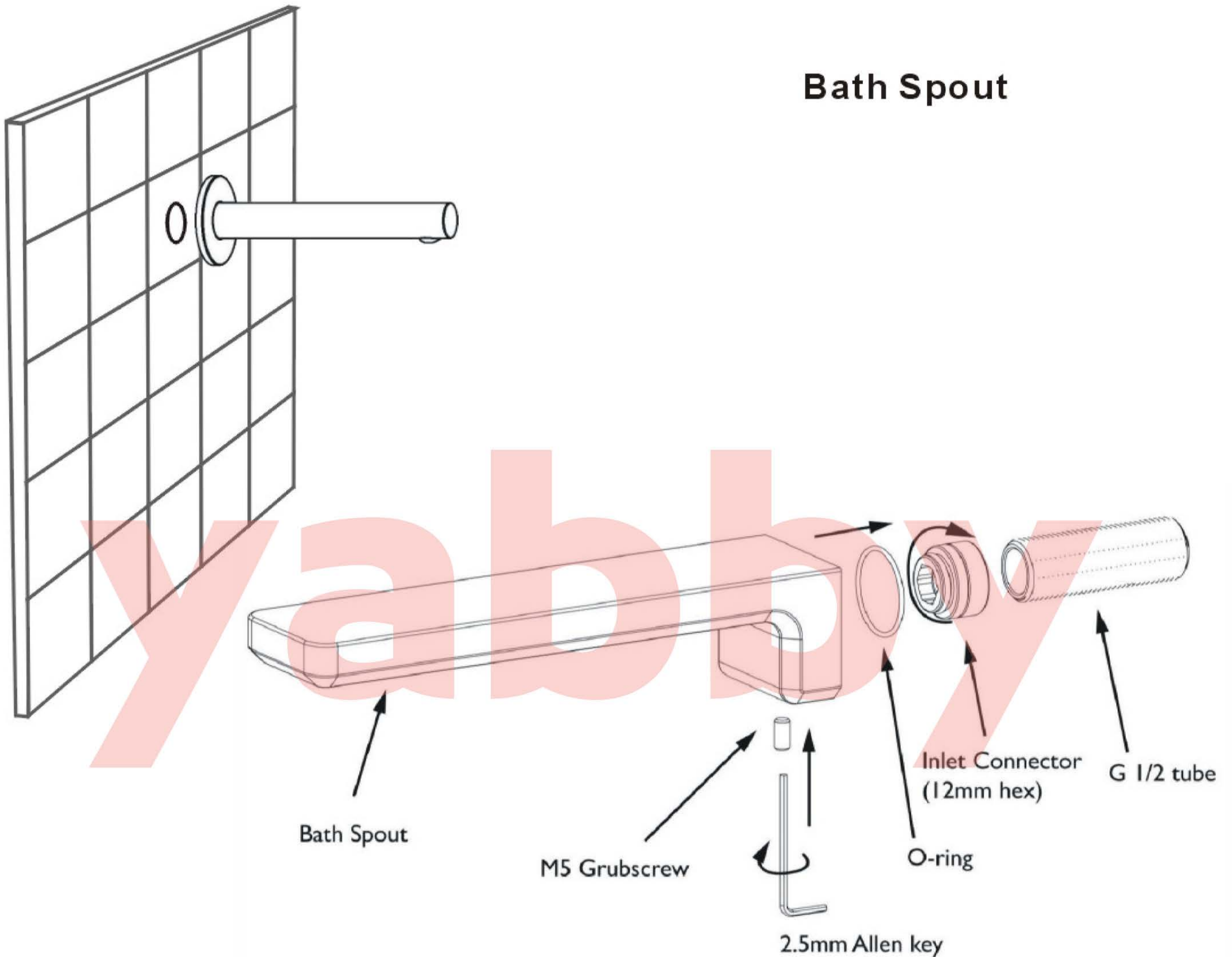
WARRANTY TERMS

All products are guaranteed as follows:

1. 5 years guarantee against casting defaults and porosity;
2. 3 years guarantee against cartridge and valve defaults;
3. 12 months guarantee on washers and O rings;
4. 12 months guarantee on finish.

BATH SPOUT

Congratulations for purchasing this quality spout. Our product is manufactured to the highest quality under strict quality control procedures.



INSTALLATION INSTRUCTIONS

Install the spout into the wall with rotation.

Note: The G1/2 tube is only used for "Female Thread Outlet" in wall and should be cut to size to suit installation.

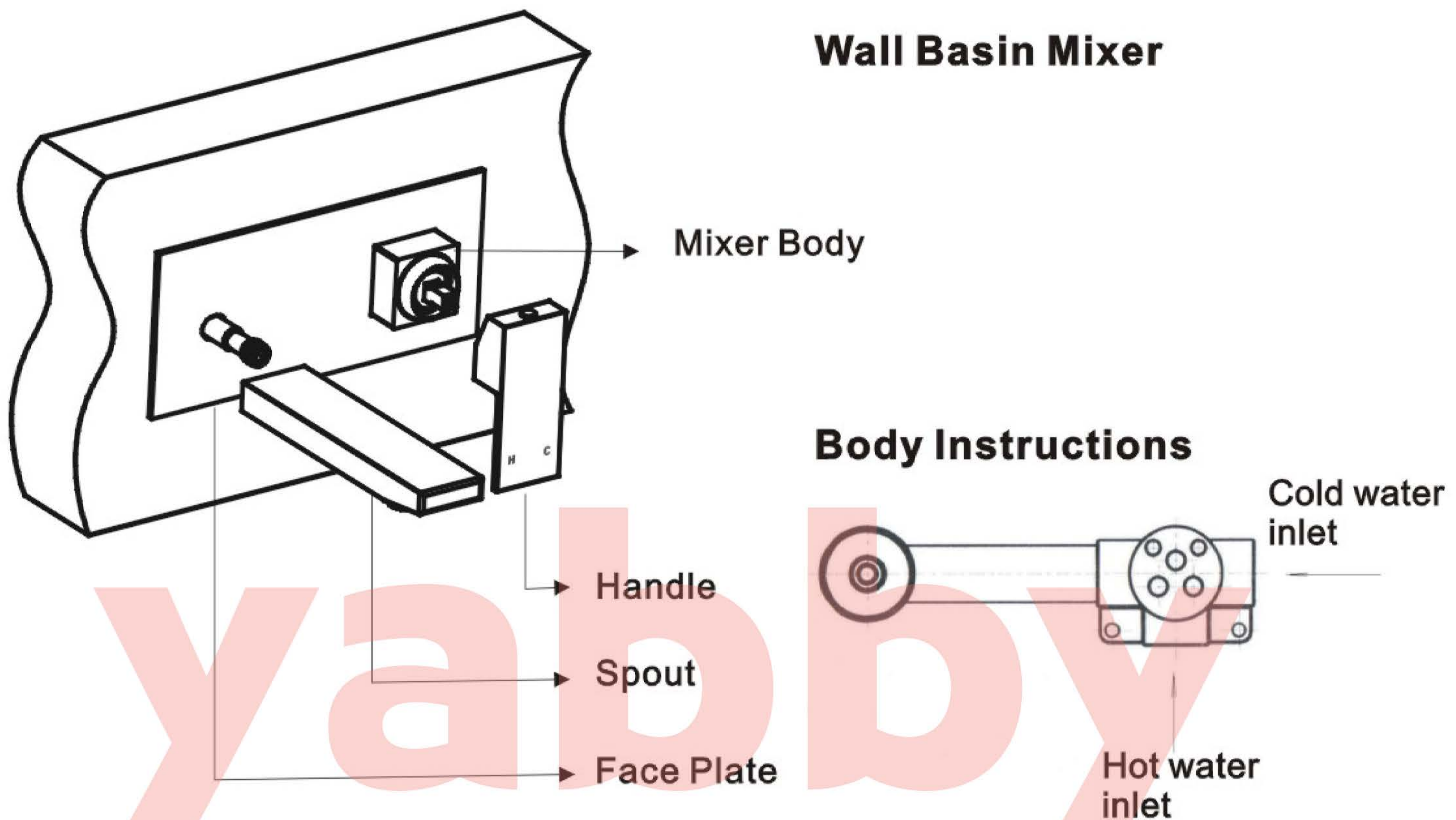
WARRANTY TERMS

All products are guaranteed as follows:

1. 5 years guarantee against casting defaults and porosity;
2. 12 months guarantee on finish.

WALL BASIN MIXER

Congratulations for purchasing this quality wall basin mixer. Our product is manufactured to the highest quality under strict quality control procedures.



INSTALLATION INSTRUCTIONS

1. Fix the body on the wall and connect the hot and cold hose;
Remark: Install the body act as Body instructions
2. Repair the wall and take care of the surface protection of the mixer;
3. Install the cover plate on the body;
4. Install the handle on the cartridge and fix it up with screw;
5. Install the spout on the outlet and fix it up with screw.

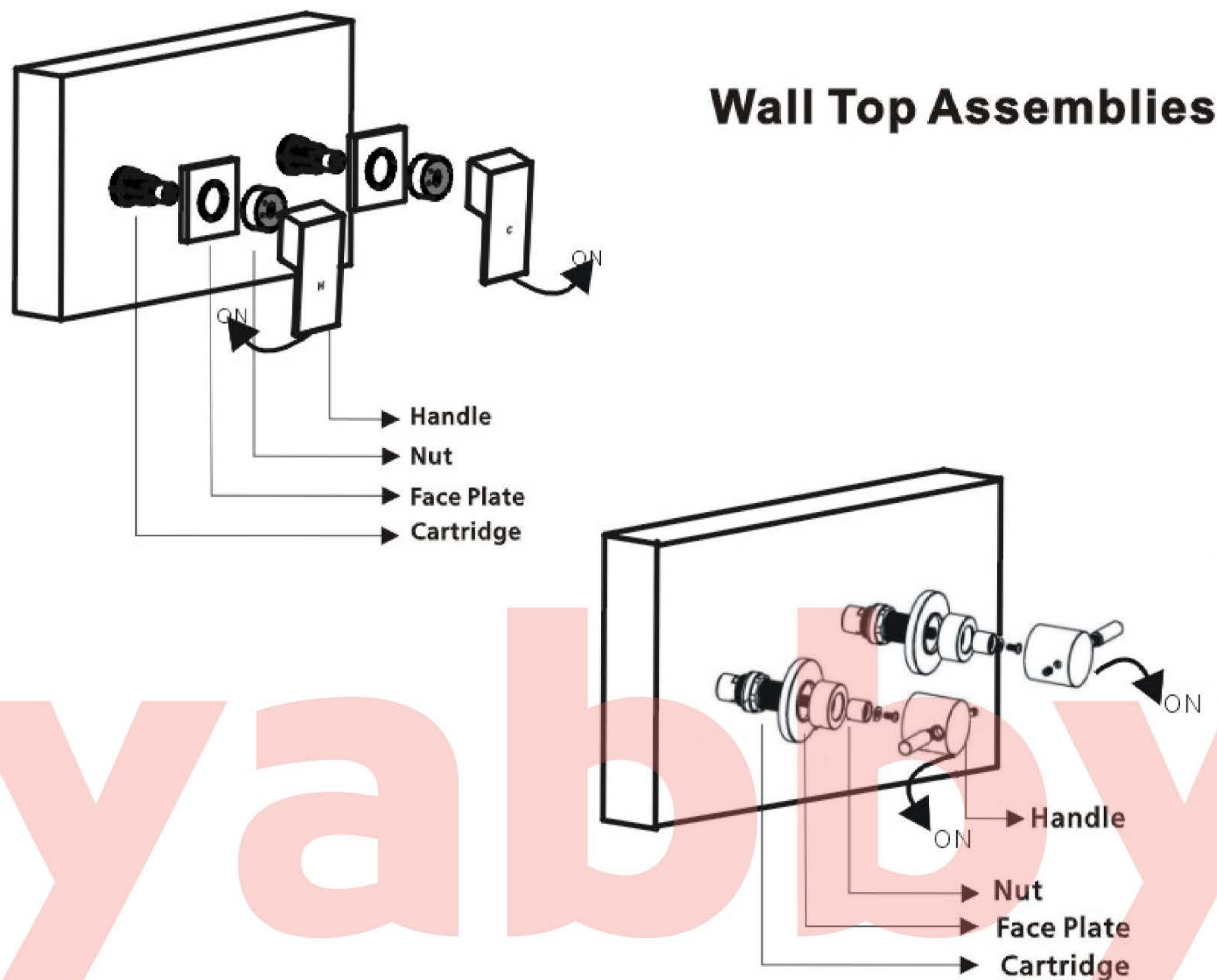
WARRANTY TERMS

All products are guaranteed as follows:

1. 5 years guarantee against casting defaults and porosity;
2. 3 years guarantee against cartridge and valve defaults;
3. 12 months guarantee on washers and O rings;
4. 12 months guarantee on finish.

WALL TOP ASSEMBLIES

Congratulations for purchasing this quality wall top assemblies. Our product is manufactured to the highest quality under strict quality control procedures.



INSTALLATION INSTRUCTIONS

1. Install the cartridge onto the cartridge base which in the wall and lock torque 10-27Nm;
2. Adjust the length of cartridge, then install the cartridge cover and lock torque 30-50Nm;
3. Install the face plate and nut;
4. Install the handle and lock the screw.

Remark: Turn on-Turn the handle level to horizontal direction
Turn off-Turn the handle level to downward direction

WARRANTY TERMS

All products are guaranteed as follows:

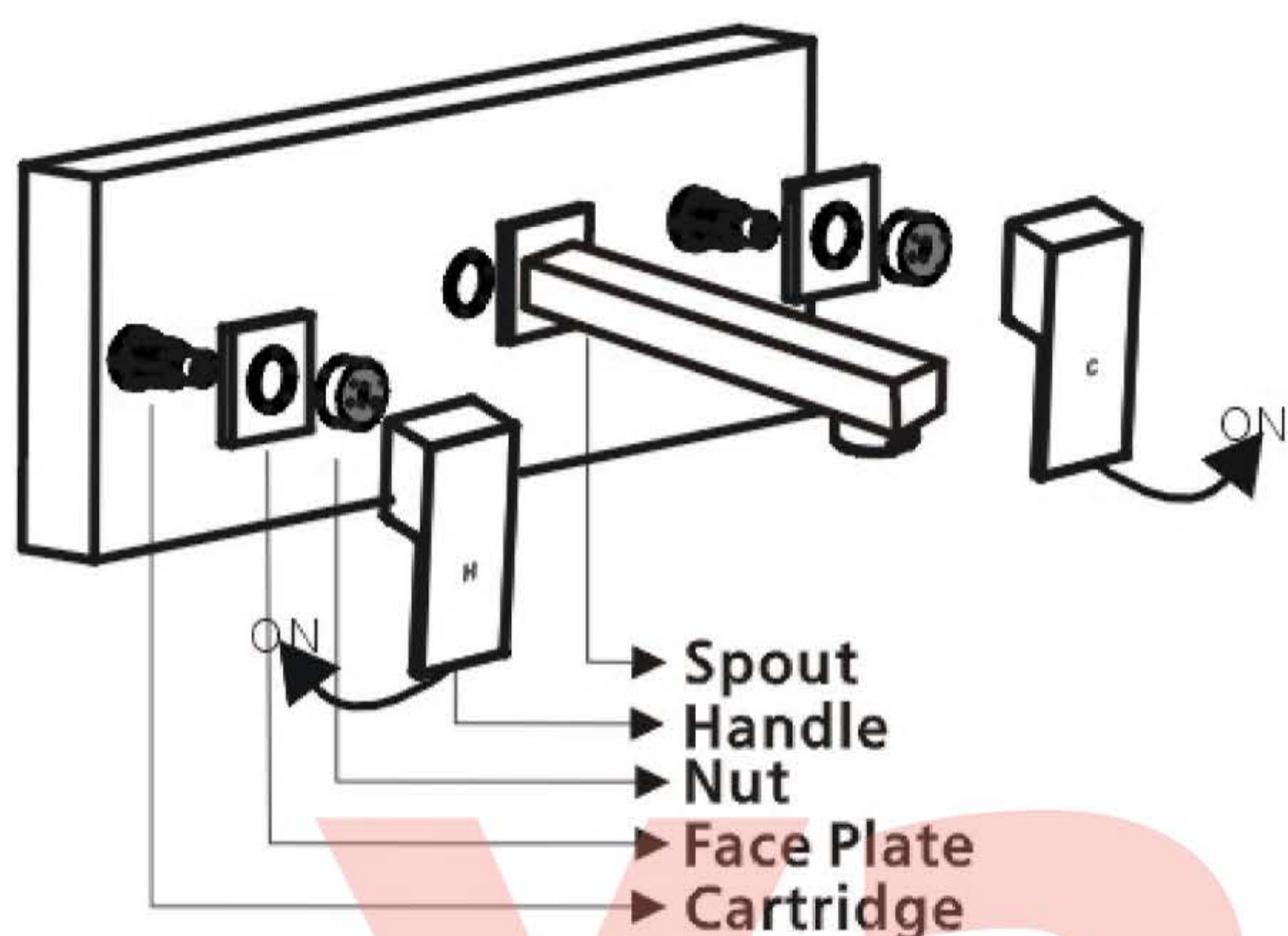
1. 5 years guarantee against casting defaults and porosity;
2. 3 years guarantee against cartridge and valve defaults;
3. 12 months guarantee on washers and O rings;
4. 12 months guarantee on finish.

BATH SET

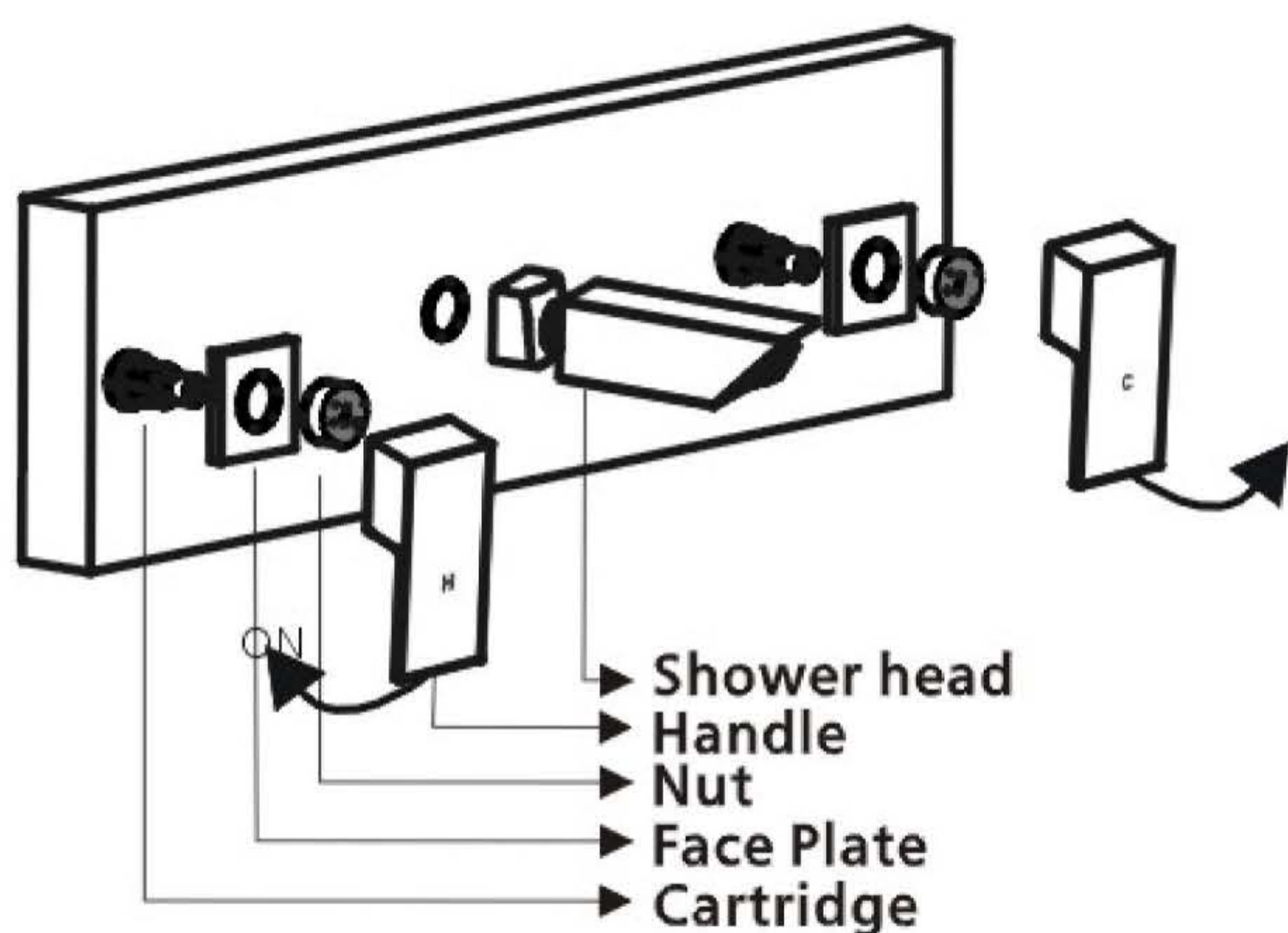
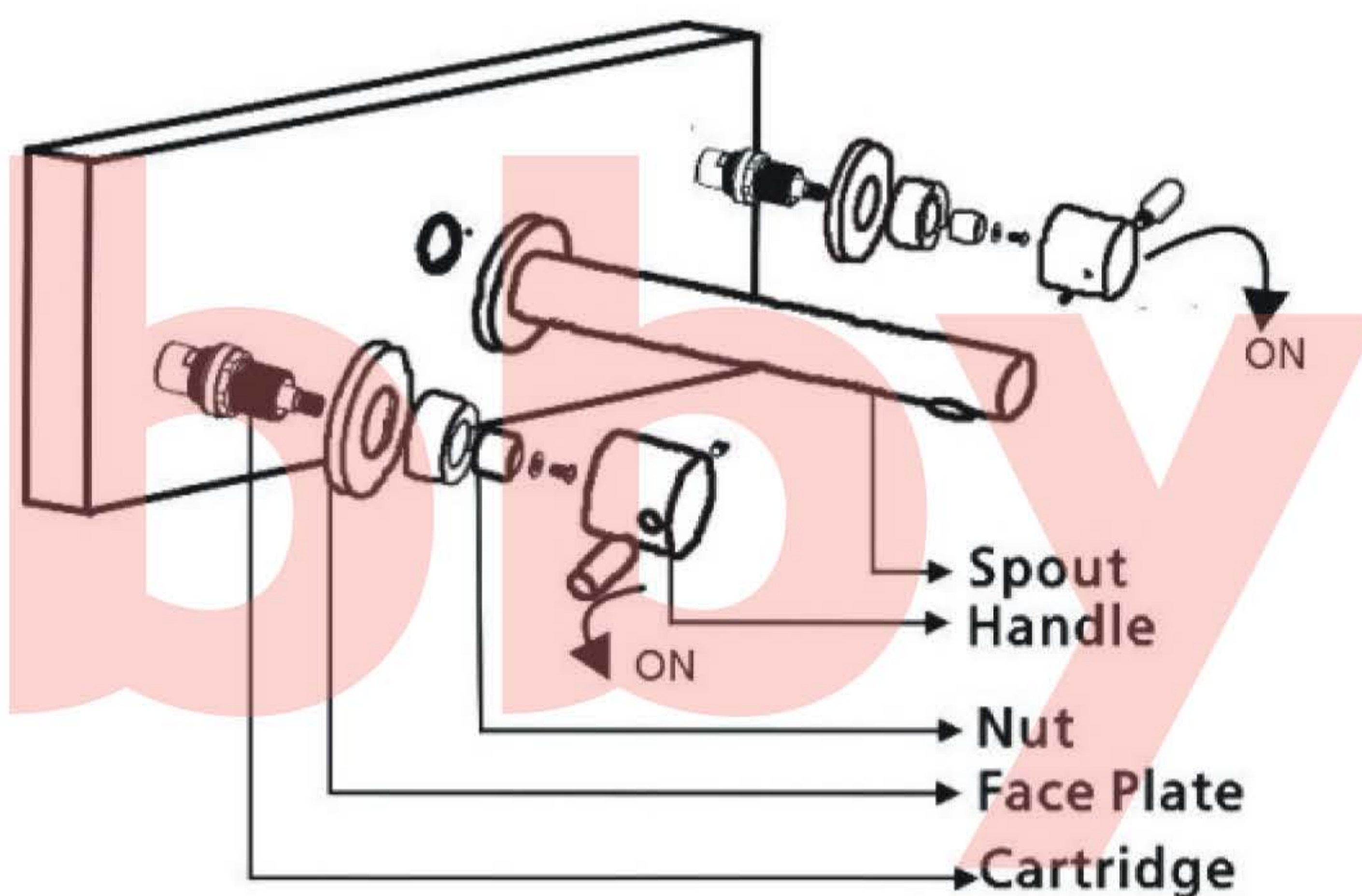
SHOWER SET

WALL SPA/SINK SET

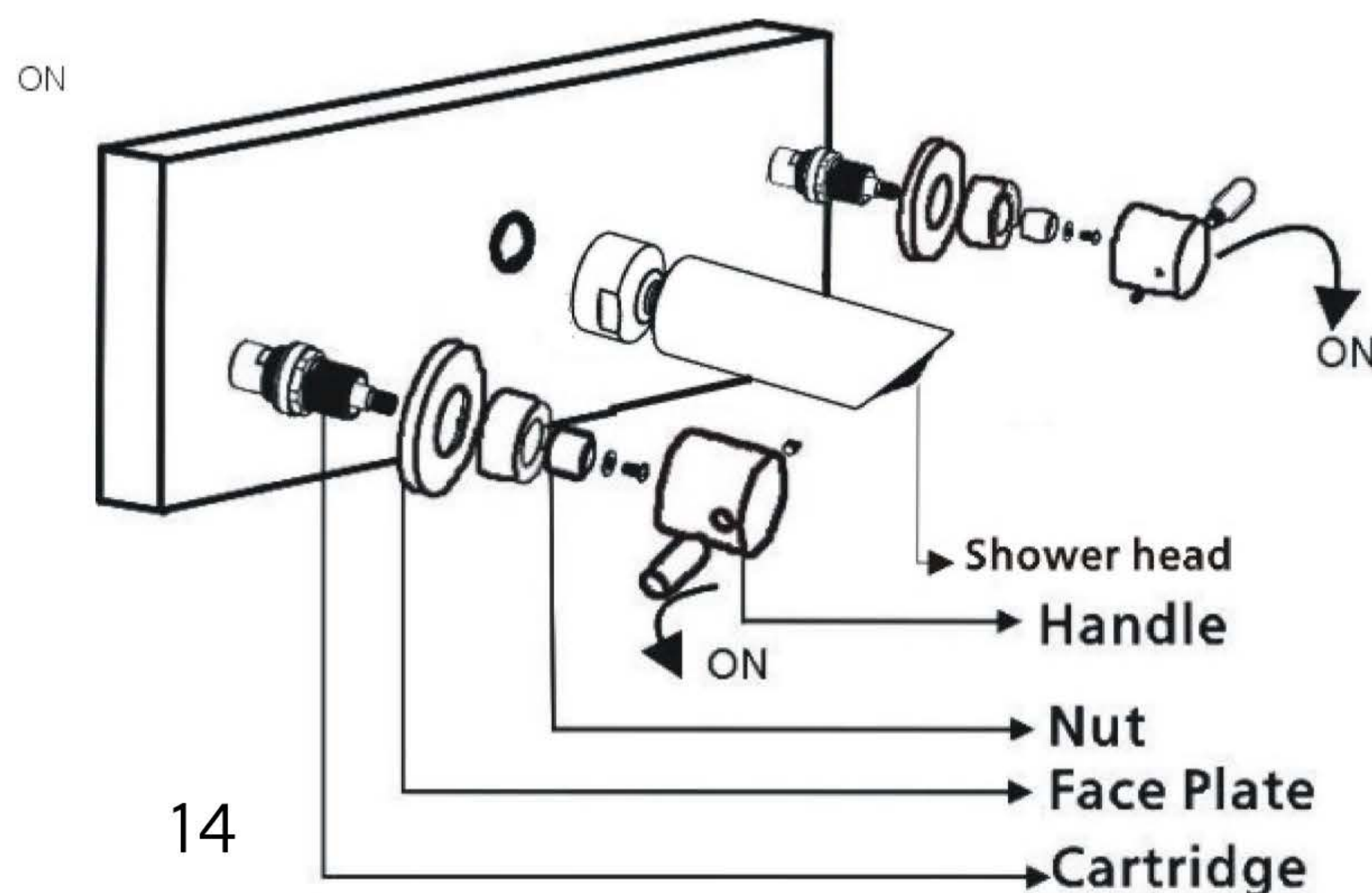
Congratulations for purchasing this quality bath set or shower set or wall spa/sink set. Our product is manufactured to the highest quality under strict quality control procedures.

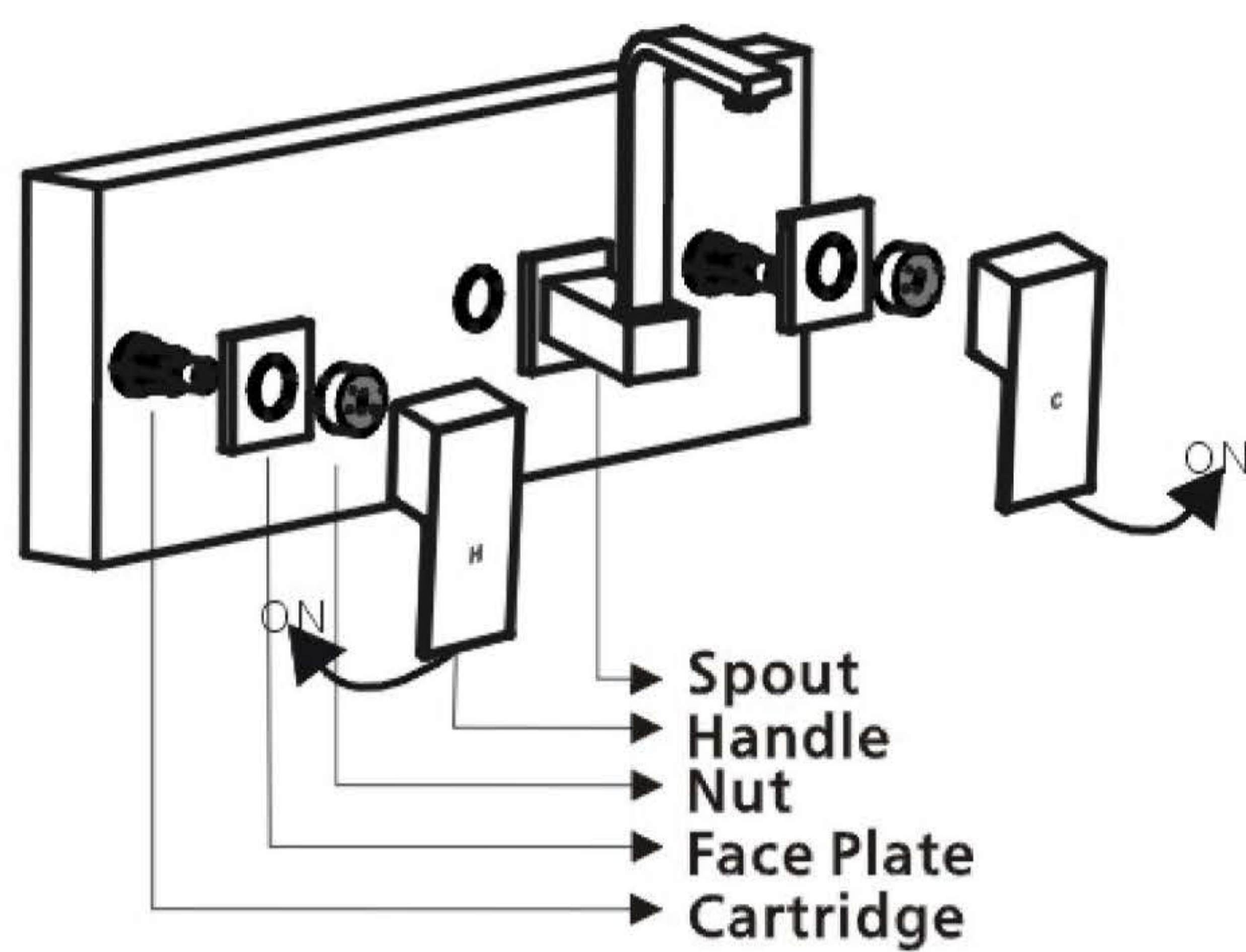


Bath Set

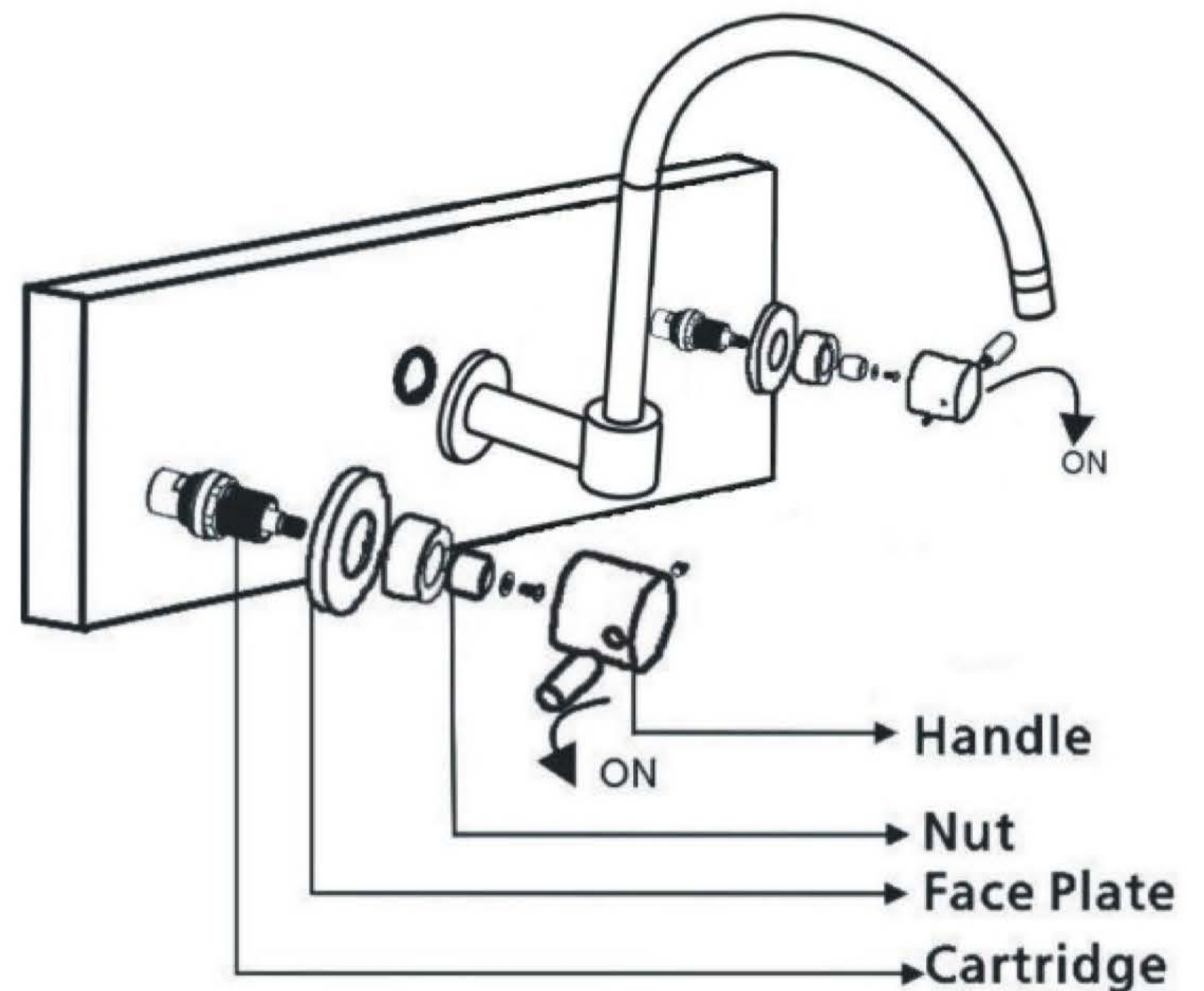


Shower Set





Wall Spa/Sink Set



INSTALLATION INSTRUCTIONS

1. Install the cartridge onto the cartridge base which in the wall and lock torque 10-27Nm;
2. Adjust the length of cartridge, then install the cartridge cover and lock torque 30-50Nm;
3. Install the face plate and nut;
4. Install the handle and lock the screw.

Remark: Turn on-Turn the handle level to horizontal direction
 Turn off-Turn the handle level to downward direction

5. Install the spout/shower head.

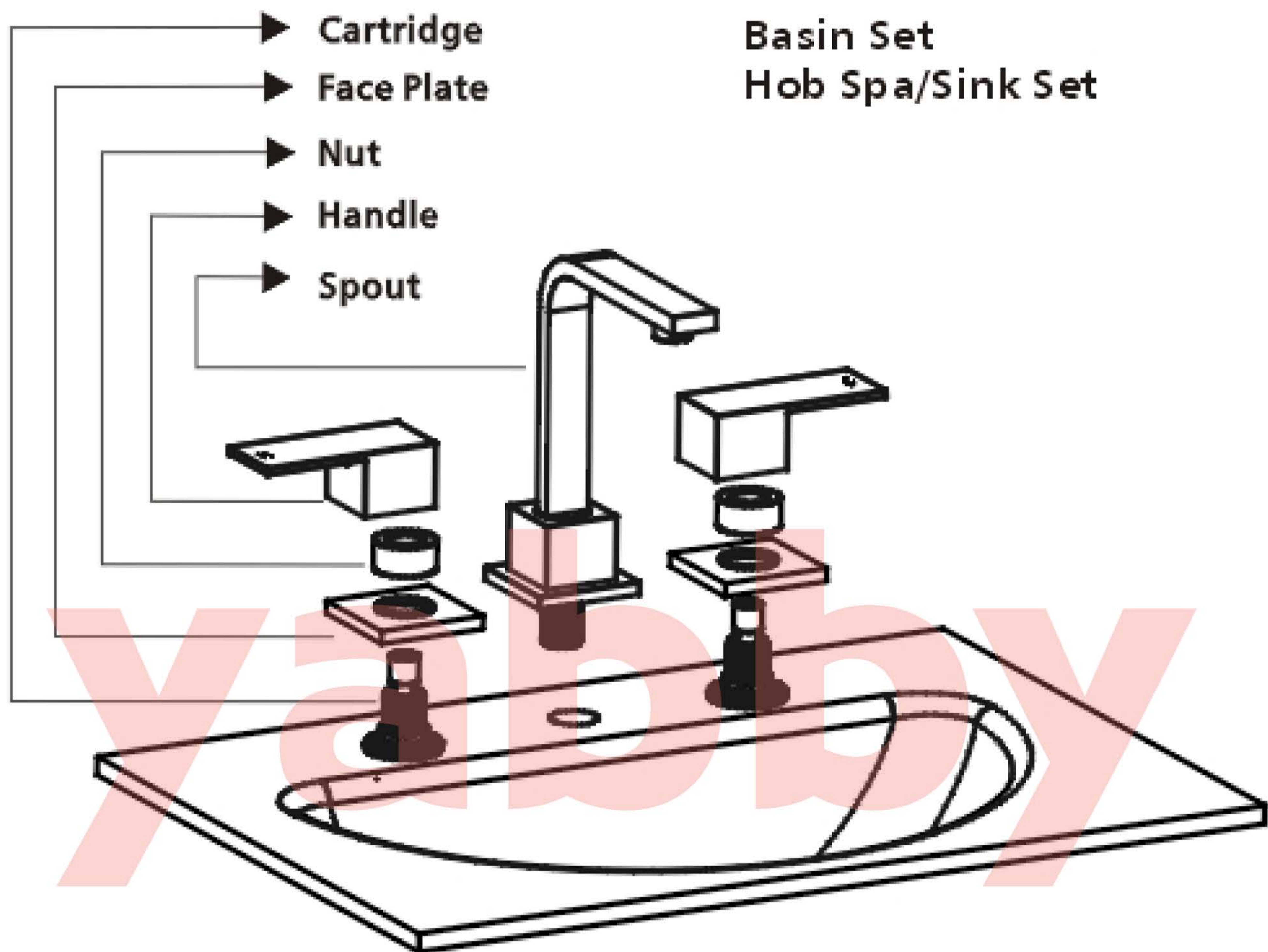
WARRANTY TERMS

All products are guaranteed as follows:

1. 5 years guarantee against casting defaults and porosity;
2. 3 years guarantee against cartridge and valve defaults;
3. 12 months guarantee on washers and O rings;
4. 12 months guarantee on finish.

BASIN SET OR HOB SPA/SINK SET

Congratulations for purchasing this quality basin set or hob spa/sink set. Our product is manufactured to the highest quality under strict quality control procedures.



INSTALLATION INSTRUCTIONS

1. Install the body, cartridge and connecting tube which with plastic nut and gasket on the basin/Sink;
2. Install the face plate and cover nut;
3. Install the two handles and lock them with screws;
4. Install the spout.

WARRANTY TERMS

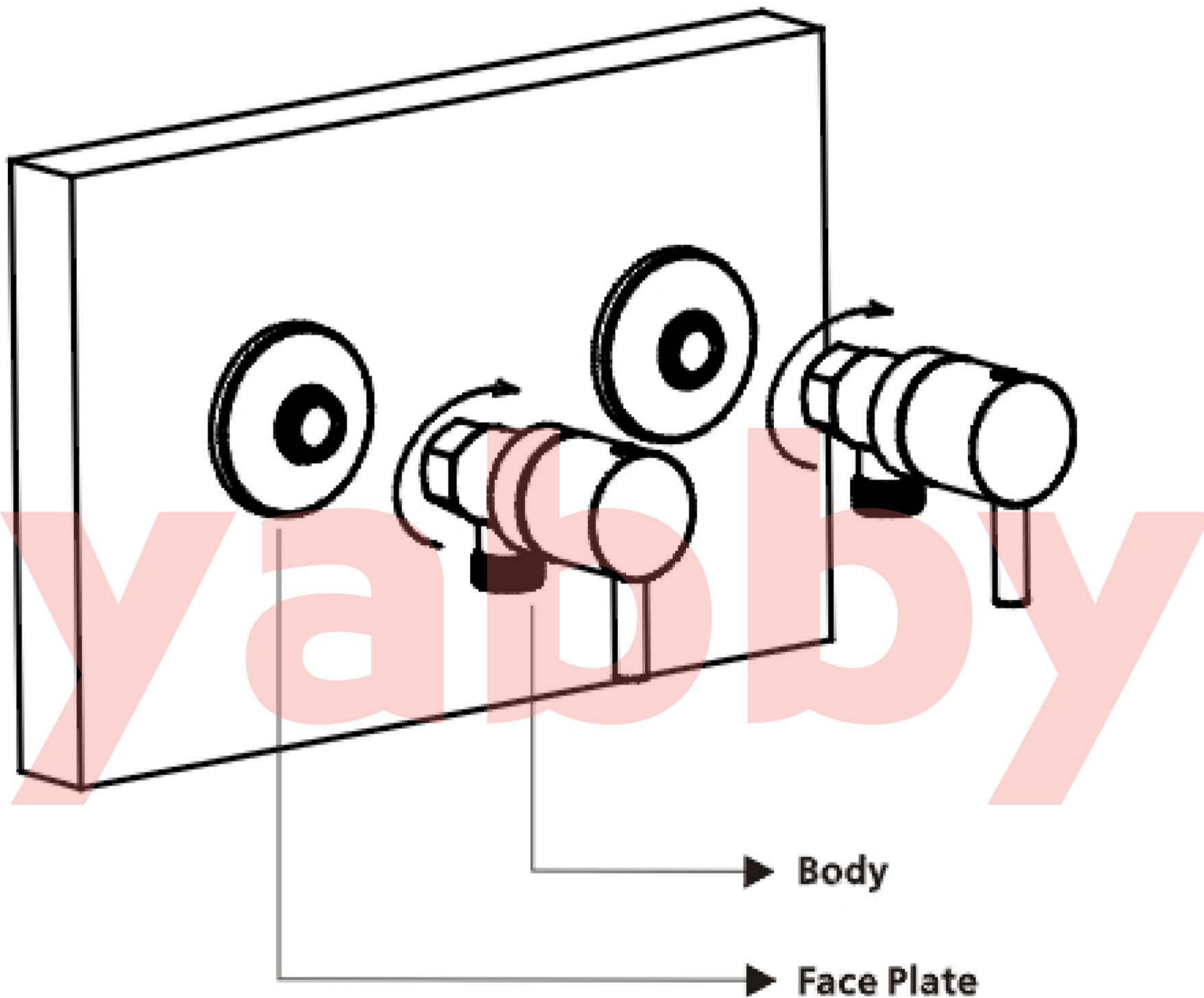
All products are guaranteed as follows:

1. 5 years guarantee against casting defaults and porosity;
2. 3 years guarantee against cartridge and valve defaults;
3. 12 months guarantee on washers and O rings;
4. 12 months guarantee on finish.

WASHING MACHINE STOPS

Congratulations for purchasing this quality washing machine stops. Our product is manufactured to the highest quality under strict quality control procedures.

Washing Machine Stops



INSTALLATION INSTRUCTIONS

1. Install the cover plate to the water pipe on the wall;
2. Rotate the body to the connection of the water pipe.

WARRANTY TERMS

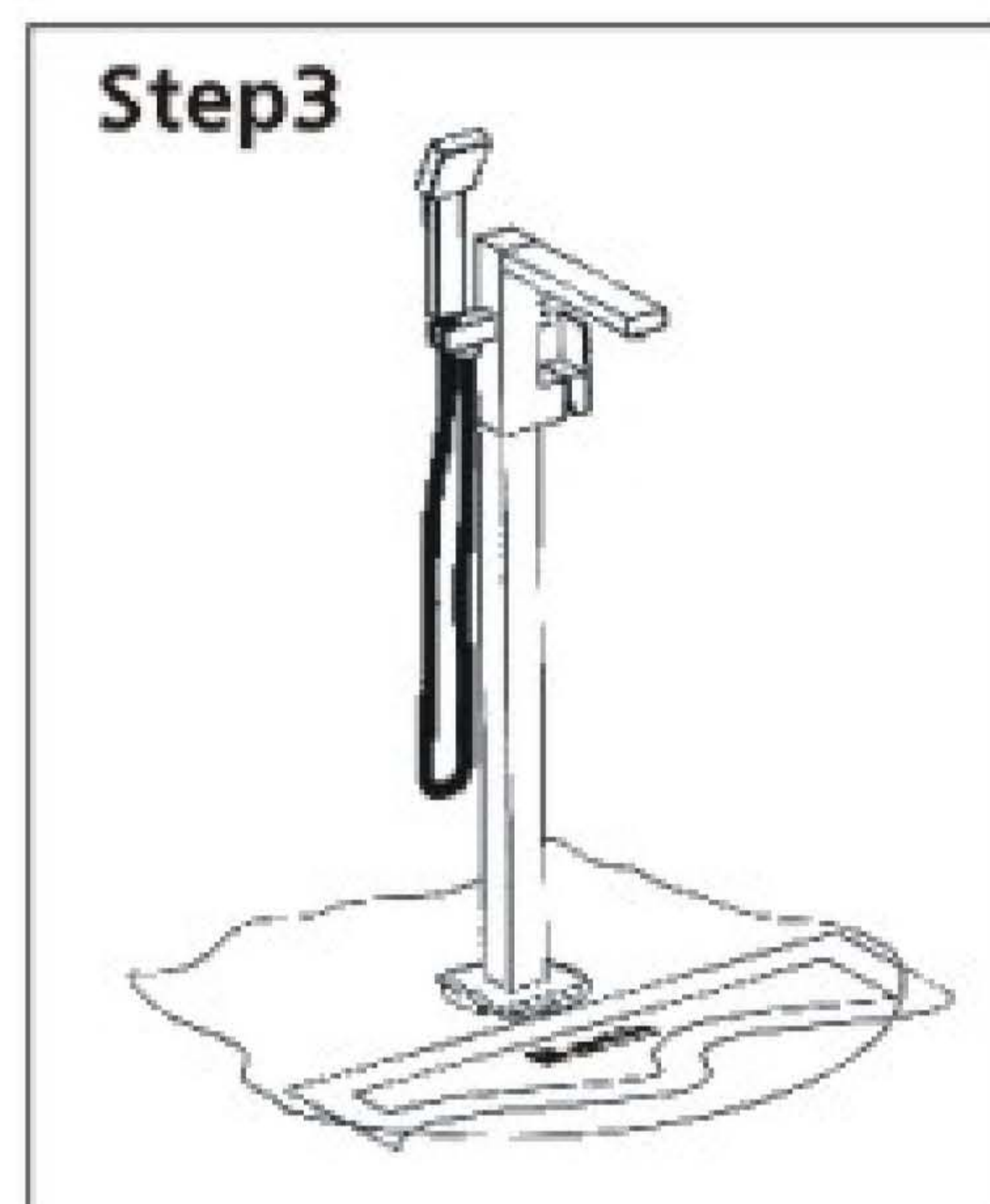
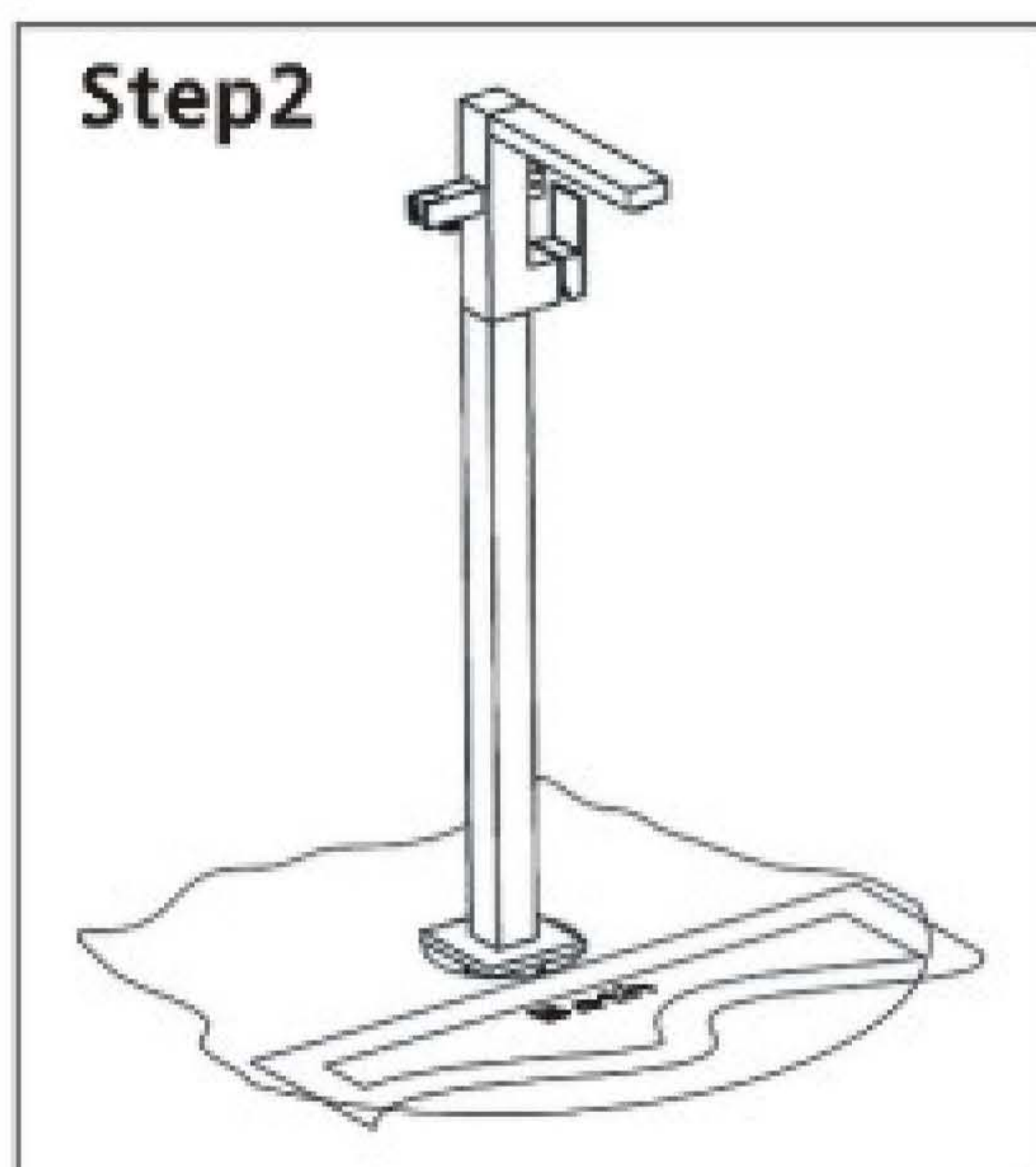
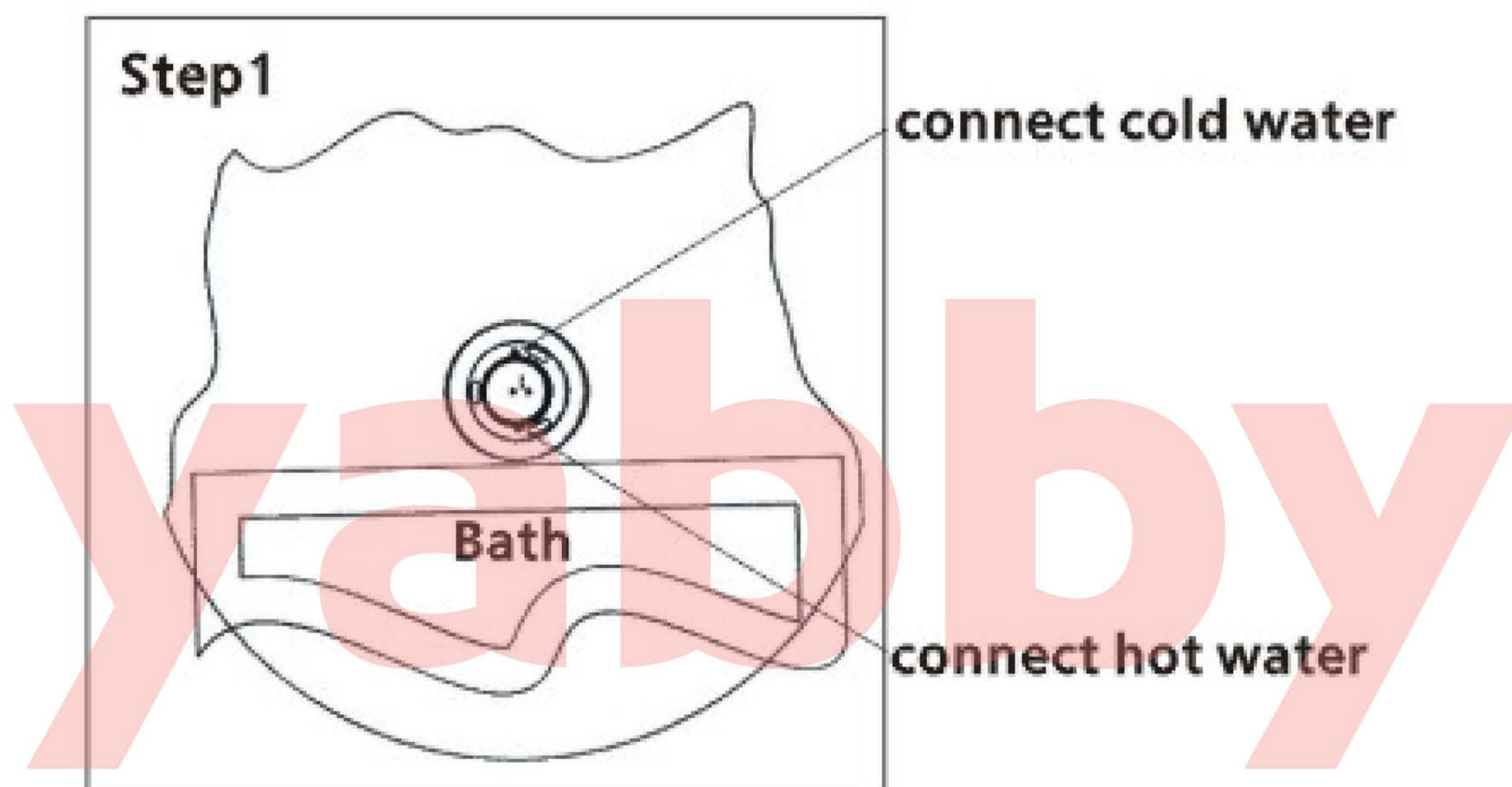
All products are guaranteed as follows:

1. 5 years guarantee against casting defaults and porosity;
2. 3 years guarantee against cartridge and valve defaults;
3. 12 months guarantee on washers and O rings;
4. 12 months guarantee on finish.

FREE STANDING BATH MIXER

Congratulations for purchasing this quality free standing bath mixer. Our product is manufactured to Highest quality under strict quality control procedures.

Free Standing Bath Mixer



INSTALLATION INSTRUCTIONS

1. Open a hole under floor. Put the base into the hole, tighten the base with 4 fixing screws. Then Connect the hot and cold water source according to the picture;
2. Install the tap body on to the base. Tighten the body with 4 fixing screws. Then open the water source. If thir is no any water leaking, please repair the floor and put down the cover plate;
3. Install the shower hose and handle shower on the body.

Remark: If no shower hose and handle shower, step3 no need.

WARRANTY TERMS

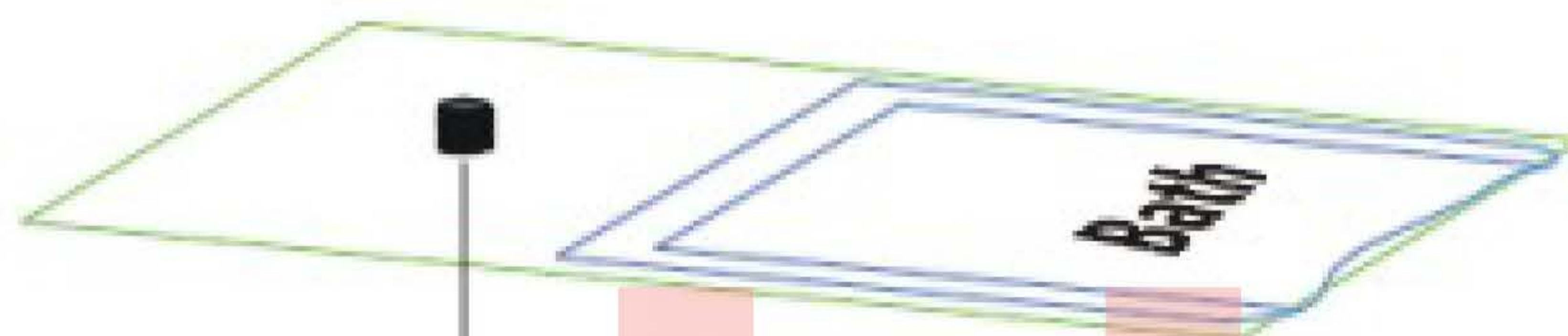
All products are guaranteed as follows:

1. 5 years guarantee against casting defaults and porosity;
2. 3 years guarantee against cartridge and valve defaults;
3. 12 months guarantee on washers and O rings;
4. 12 months guarantee on finish.

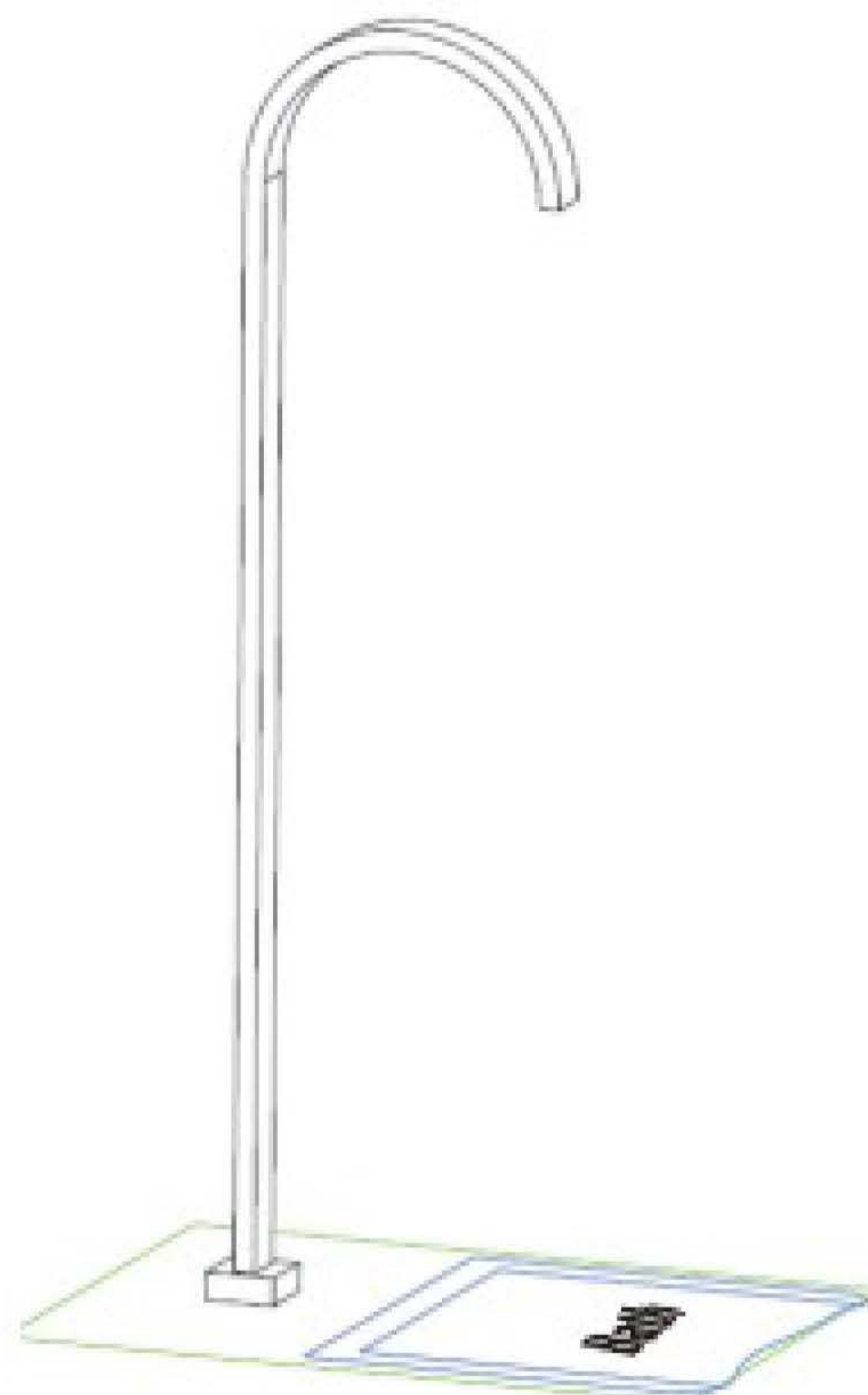
FREE STANDING BATH SPOUT

Congratulations for purchasing this quality free standing bath spout. Our product is manufactured to Highest quality under strict quality control procedures.

Free Standing Bath spout



Floor Connector



INSTALLATION INSTRUCTIONS

- 1. Connect the free standing bath spout with the floor connector and make it has been sealed.**
- 2. Make sure the free standing bath spout is face to the bath.**

WARRANTY TERMS

All products are guaranteed as follows:

- 1. 5 years guarantee against casting defaults and porosity;**
- 2. 3 years guarantee against cartridge and valve defaults;**
- 3. 12 months guarantee on washers and O rings;**
- 4. 12 months guarantee on finish.**

GENERAL INFORMATION

- When installing this product, the pipes must be flushed clean where the product is being installed.
- The water pressure must be tested. Where the water pressure exceeds 1000Kpa, an approved pressure reducing valve must be fitted.
- Always fit isolating taps to the hot and cold inlet connections in accordance with national plumbing code AS3500.
- Ensure the hoses are not twisted or stretched, are not under tension and not bent to a radius less than 25mm when being installed.
- If the water temperature exceeds 80°C an approved water tempering valve must be fitted.
- just for domestic use, not for commercial use.

Failure to comply with all of the above instructions will void all warranties.

The warranty will not apply if:

- The product has been damaged through misuse, neglect accident;
- The product has not been used in accordance with any applicable instruction guide;
- The purchaser has attempted to modify or repair the product;
- The product is not installed by a Registered Plumber.