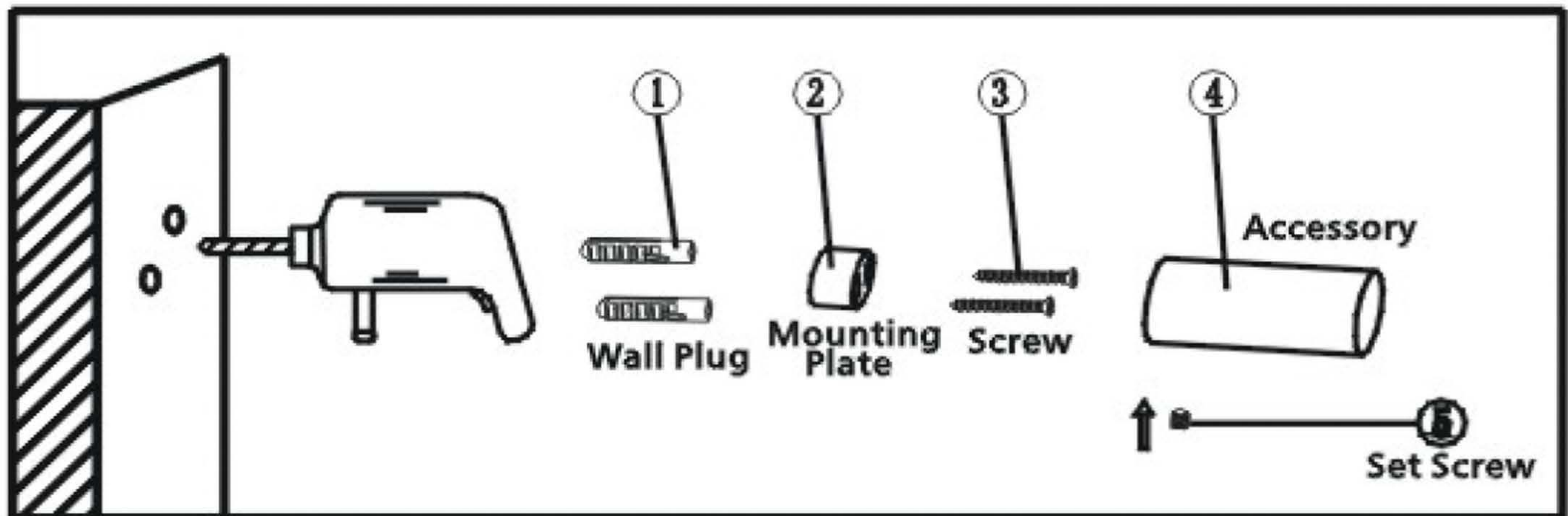


INSTALLATION MANUAL

BATHROOM ACCESSORIES

yabdy

DRAWING



CARING FOR YOUR PRODUCTS

To keep your products bright and polish, please clean them regularly.

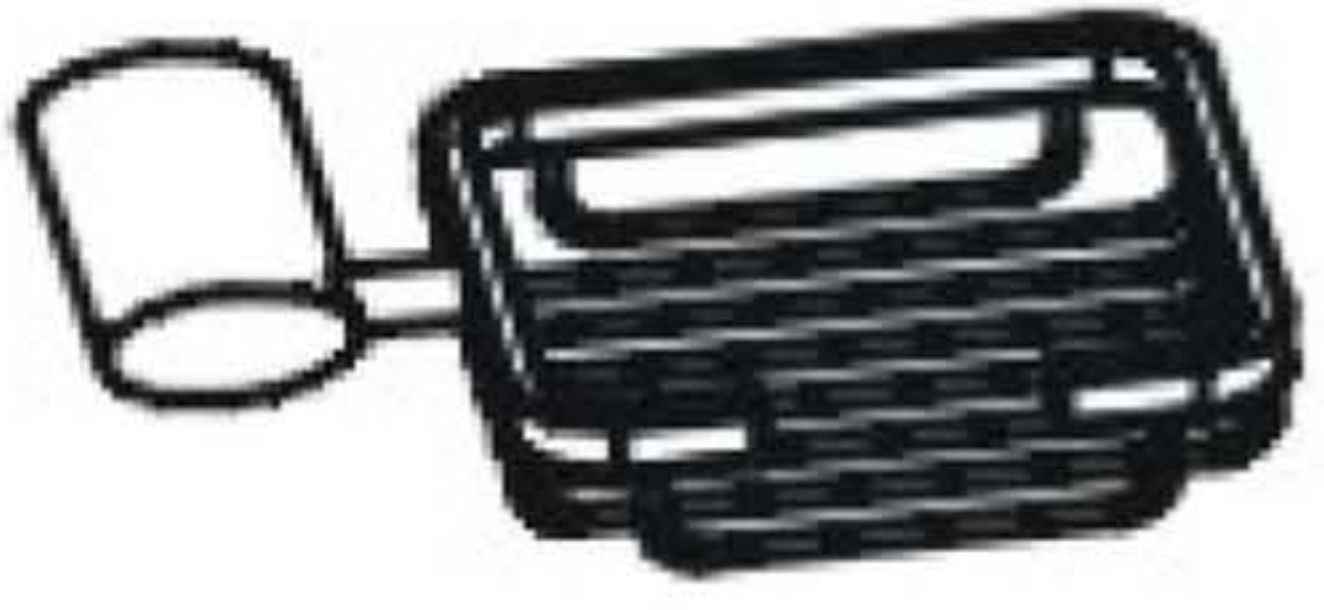







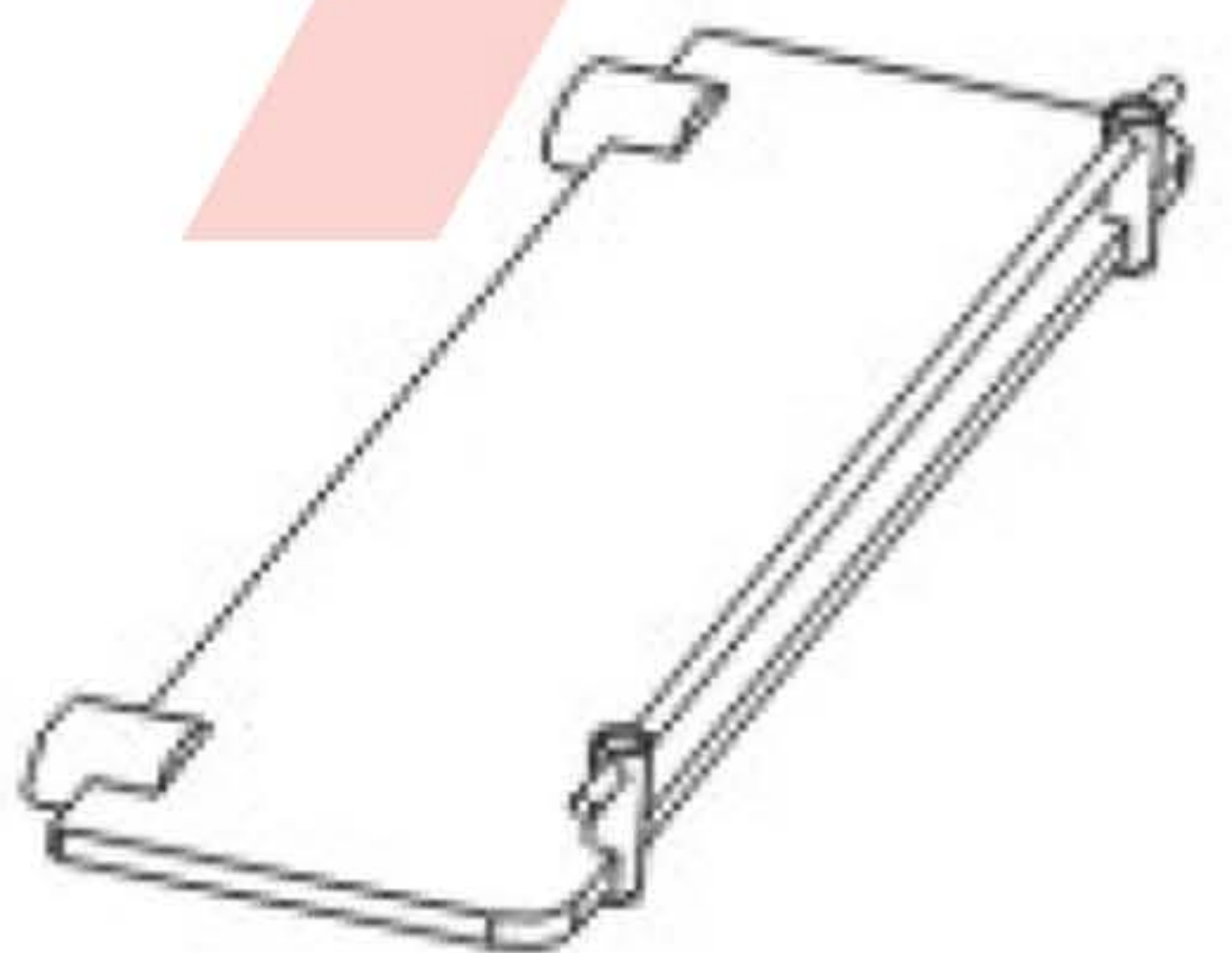
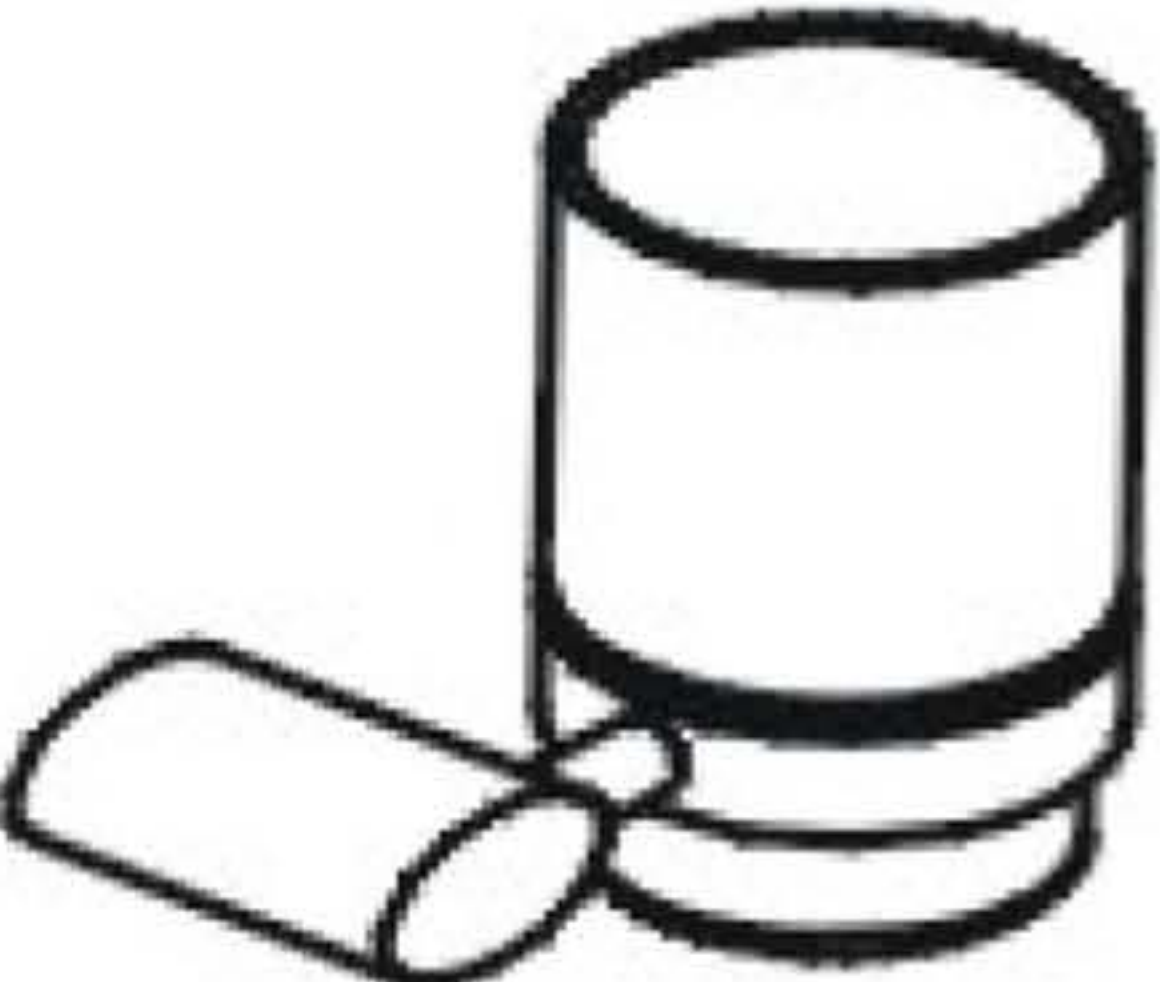


1. The accessories should be washed with warm water and a soft cloth or sponge.
2. Do not use abrasive cleaners or cleaners containing bleach.

INSTALLATION

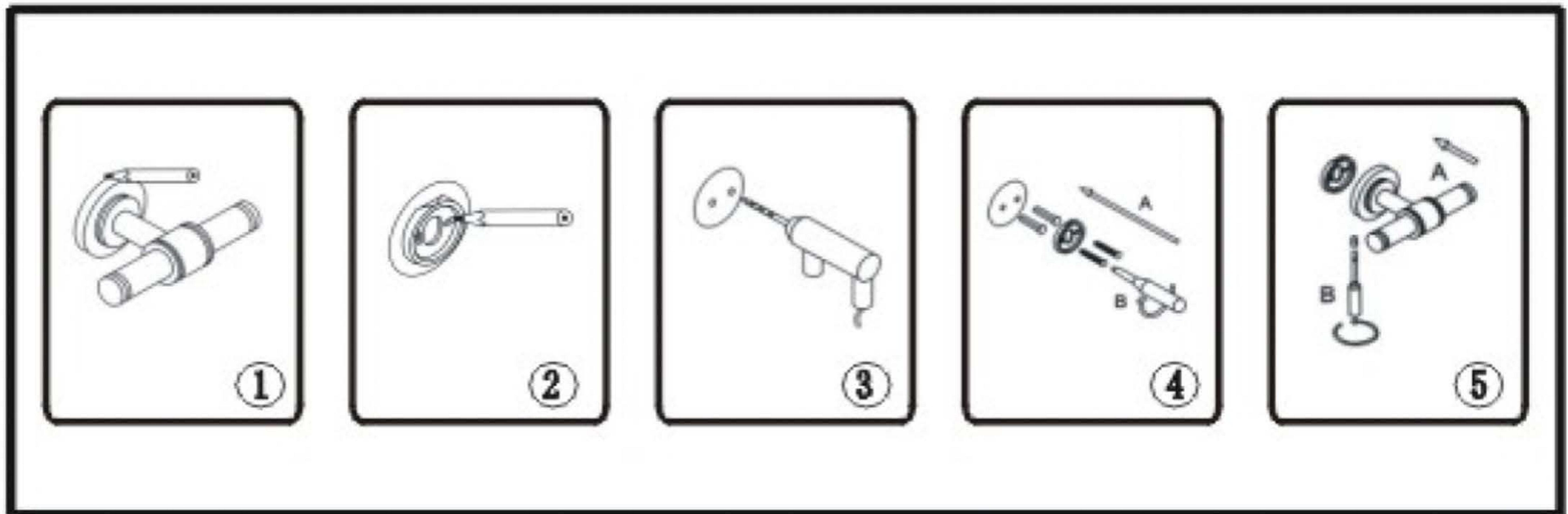
Identify all components and check for completeness, particularly before arranging fitting.

1. Use measuring tools to measure the distance between two wall holes and mark drilling positions;
2. Drills holes to suit, and insert wall plug;
3. Tighten the screw against the mounting plate and loosen off set screw (but do not remove) and place the accessory over the mounting plate with set screw at the bottom;
4. Tighten up the set screw until the accessory is secure against the wall.

DETAILS OF SERIES

 <p>Soap Basket</p>	 <p>Towel Ring</p>	 <p>Robe Hook</p>
 <p>Toilet Paper Holder</p>	 <p>Toilet Brush Holder</p>	 <p>Soap Dish Holder</p>
 <p>Single Towel Bar</p>	 <p>Double Towel Bar</p>	 <p>Glass Shelf</p>
 <p>Tumbler Holder</p>	 <p>Soap Dish Holder</p>	 <p>Bathroom Shelf</p>

DRAWING



CARING FOR YOUR PRODUCTS

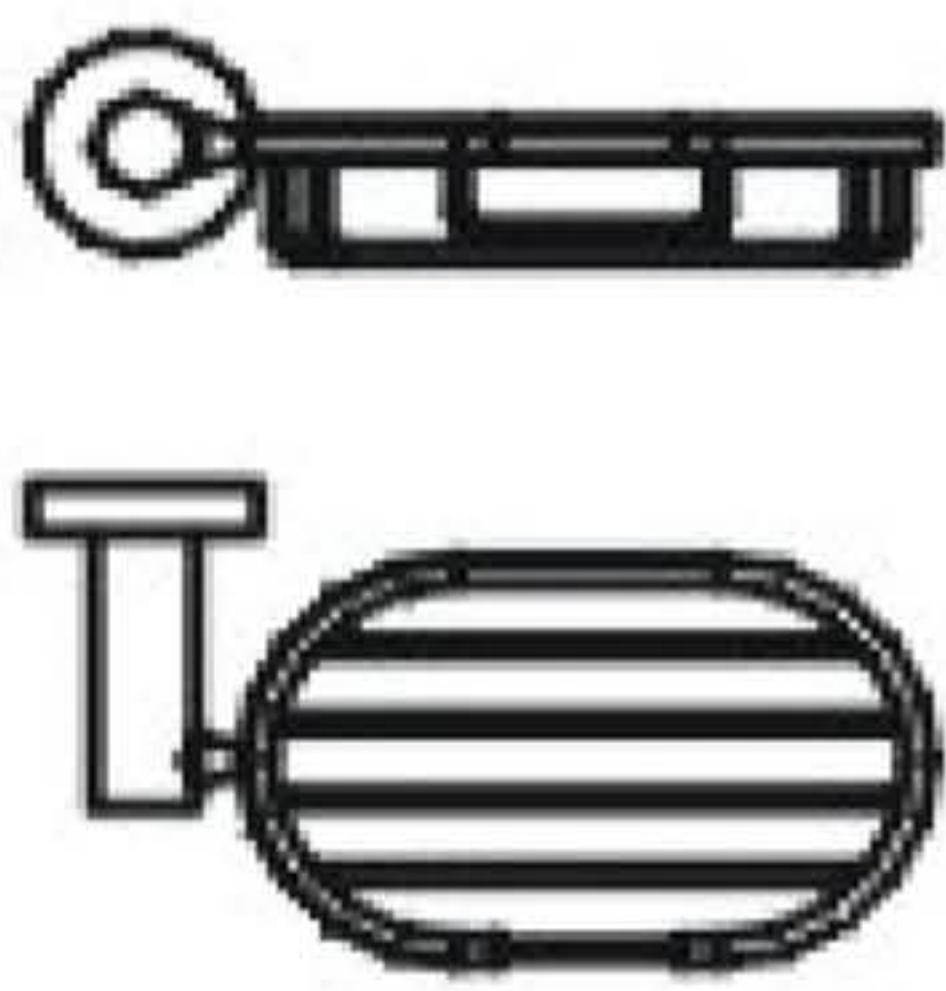

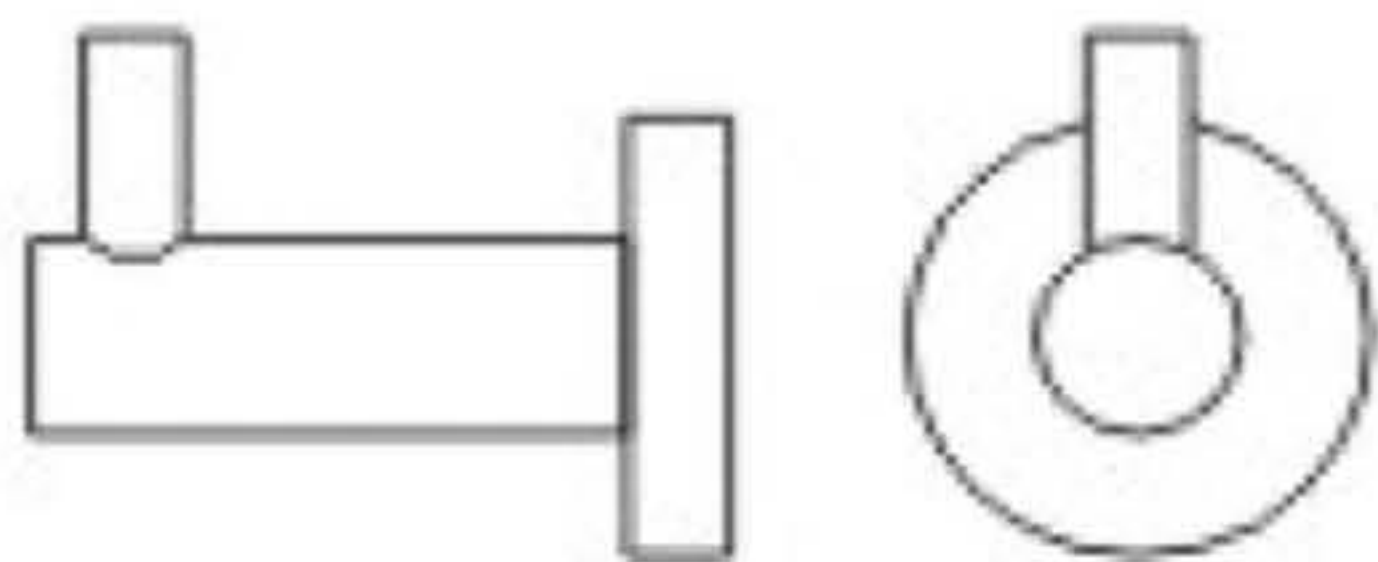
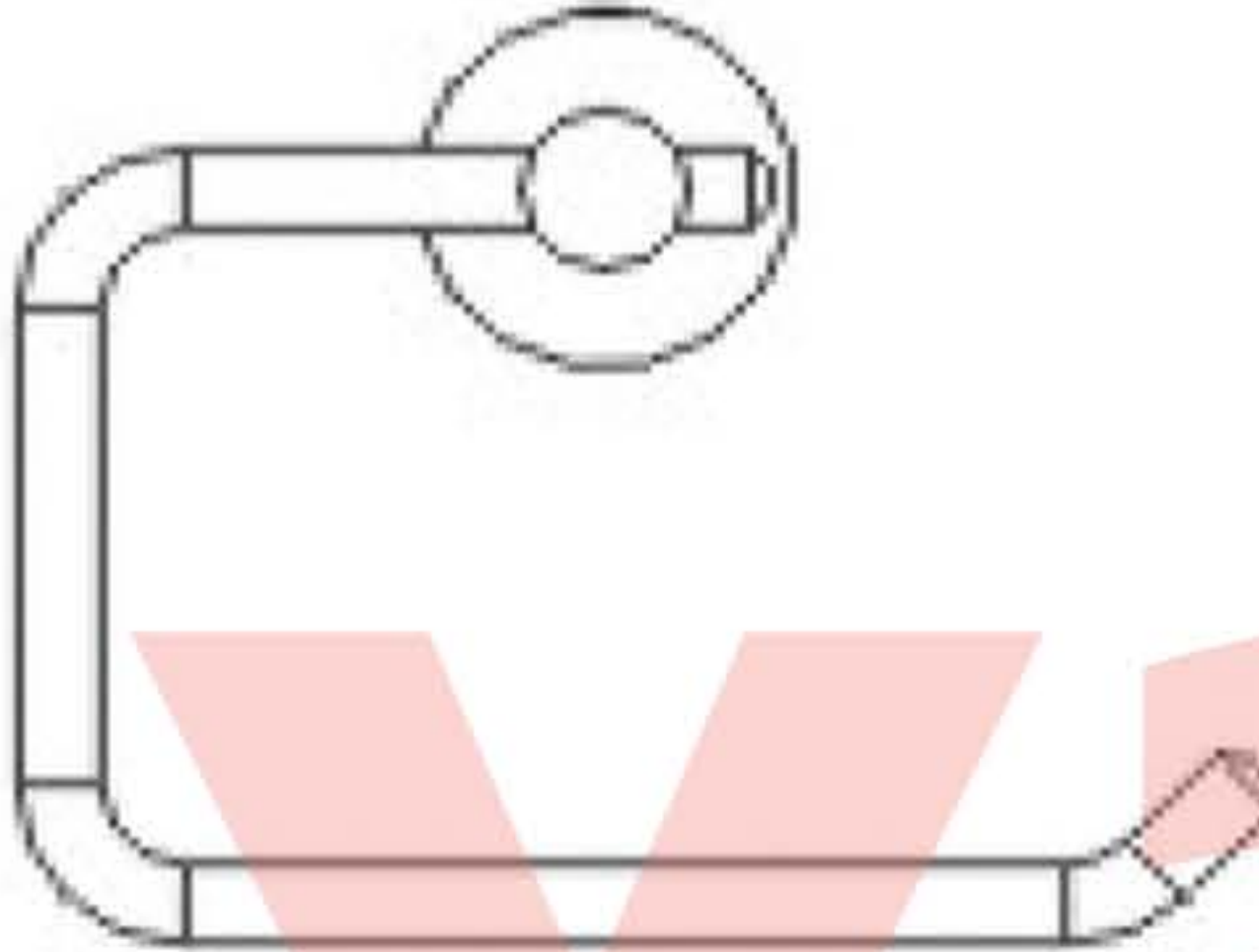
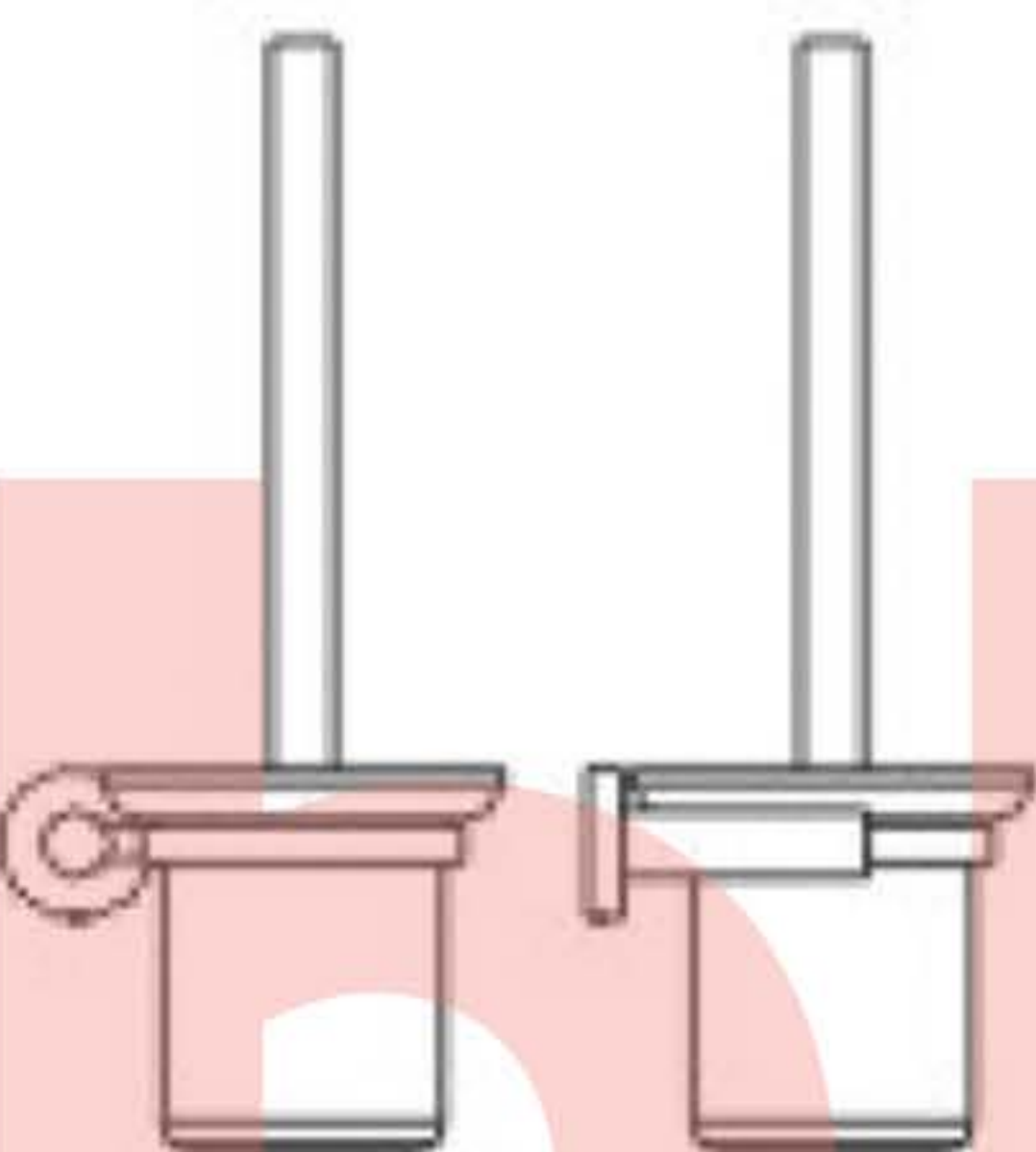



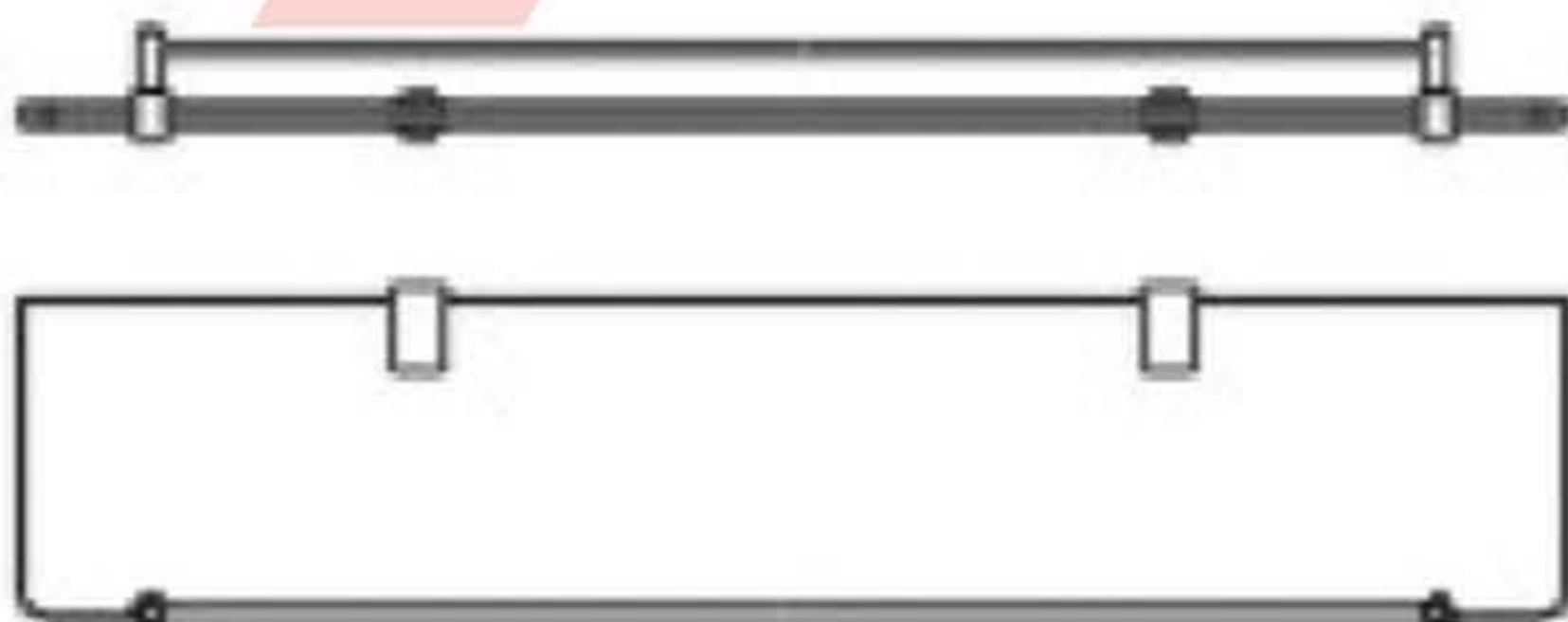
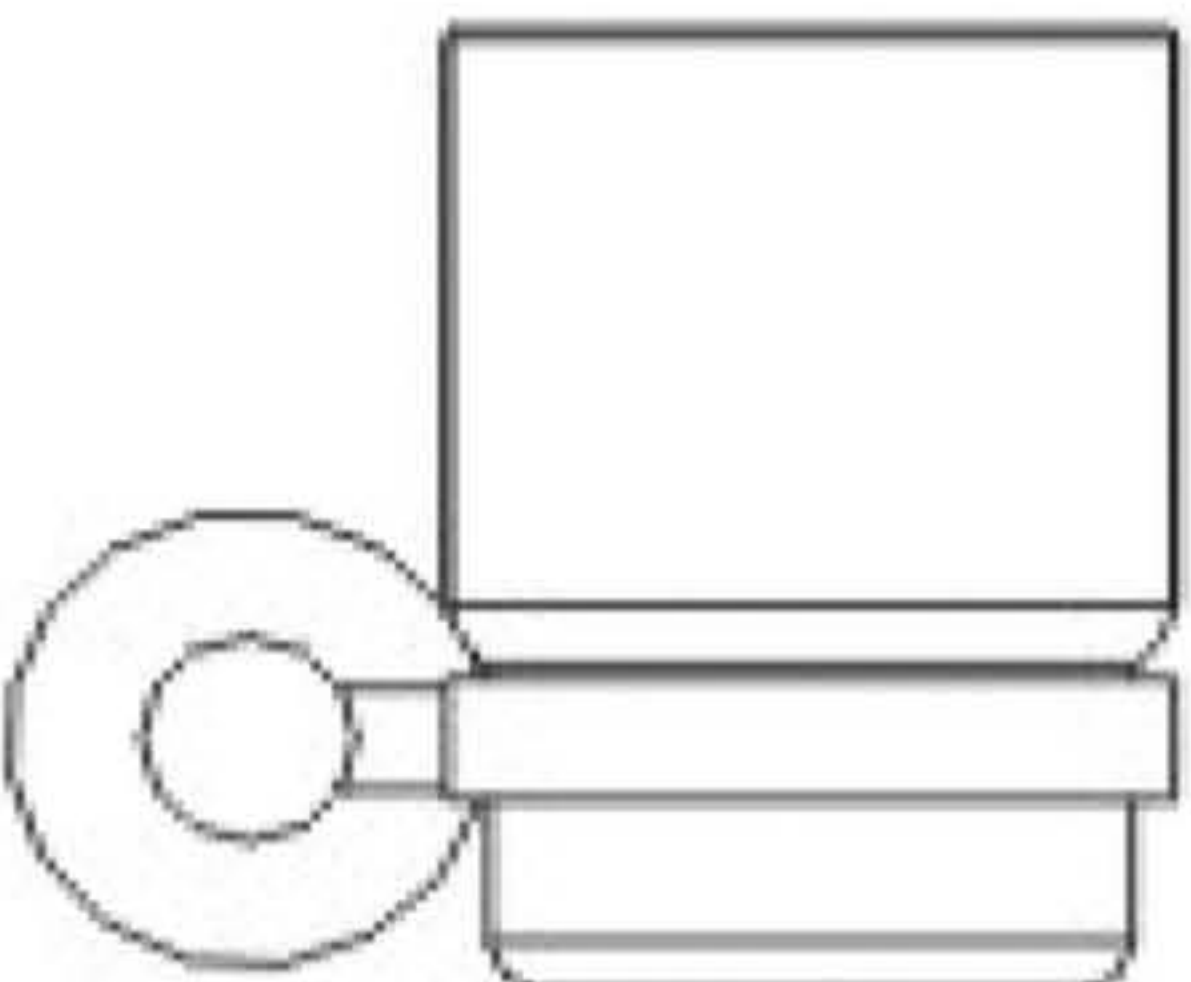
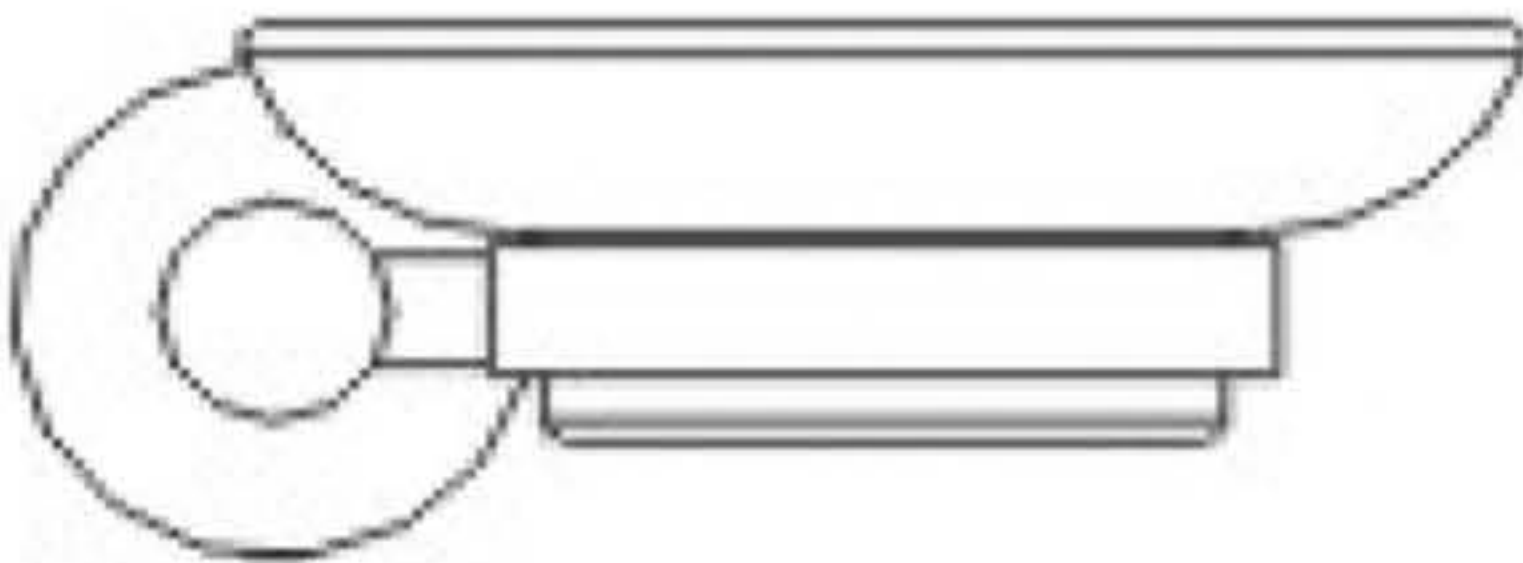
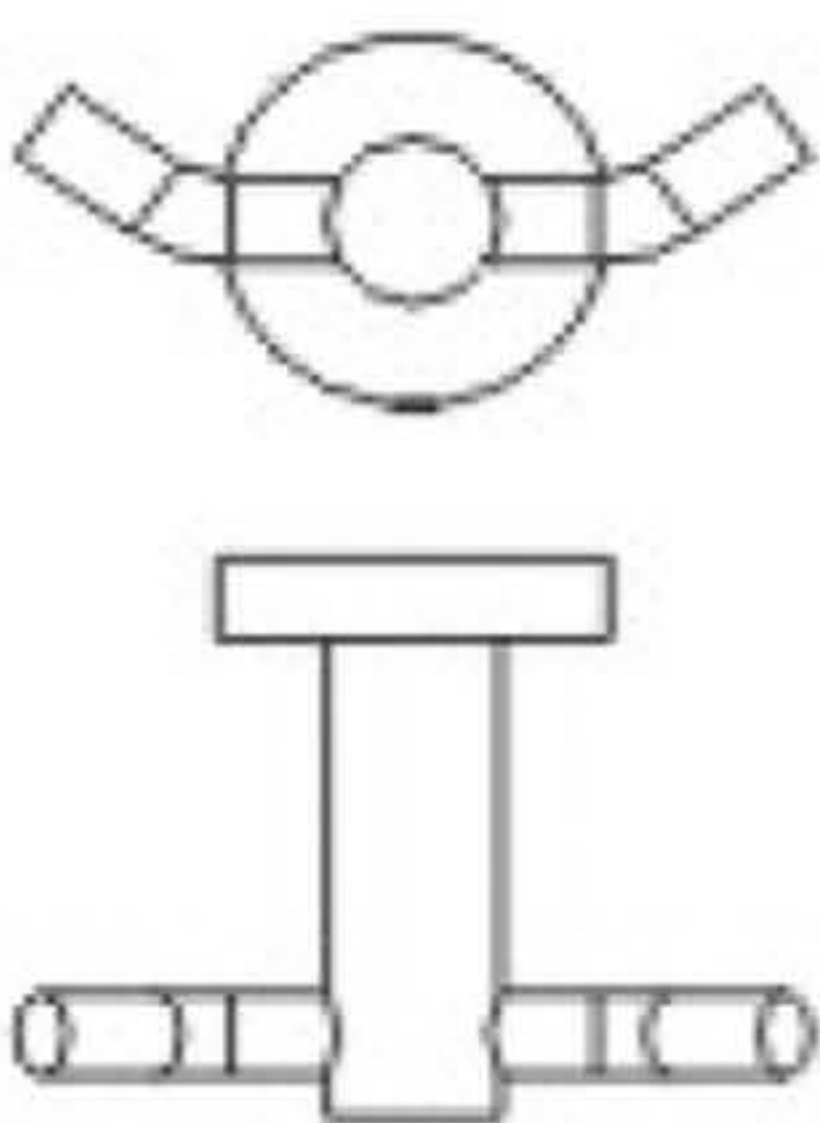
To keep your products bright and polish, please clean them regularly.

1. The accessories should be washed with warm water and a soft cloth or sponge.
2. Do not use abrasive cleaners or cleaners containing bleach.

INSTALLATION (FOR SOLID WALL ONLY)

1. Wear eye-guard face shield;
2. Mark the position to be drilled with a pencil;
3. Select and lock suitable aiguille to the electric drill;
4. Drill a hole at the position(s) marked in procedure 2;
5. Put the anchor to the holes;
6. Screw in fittings with a suitable screw driver as indicated in the diagram on the right.

DETAILS OF SERIES

 <p>Soap Basket</p>	 <p>Towel Ring</p>	 <p>Robe Hook</p>
 <p>Toilet Paper Holder</p>	 <p>Toilet Brush Holder</p>	 <p>Bathroom Shelf</p>
 <p>Single Towel Bar</p>	 <p>Double Towel Bar</p>	 <p>Glass Shelf</p>
 <p>Tumbler Holder</p>	 <p>Soap Dish Holder</p>	 <p>Robe Hook</p>

WARRANTY TERMS

All products are guaranteed as follows:

2 years for the body defaults.

The warranty will not apply if:

- **The product has been damaged through misuse, neglect accident;**
- **The product has not been used in accordance with any applicable instruction guide;**
- **The purchaser has attempted to modify or repair the product;**
- **The product is not installed by a Registered Plumber.**