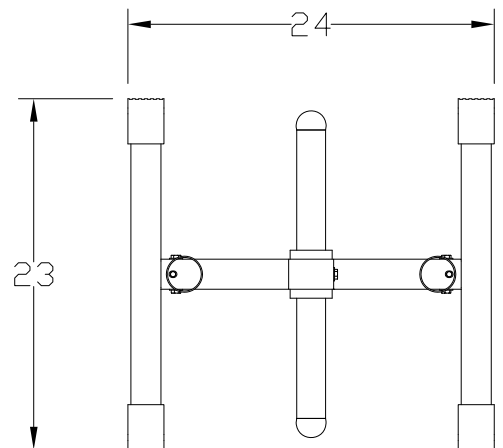


OWNER'S MANUAL & Assembly Instructions



EWT-44 Olympic Plate Tree



L24 X W 23 X H41

WARNING

Read and understand the Owner's Manual, all danger, warning and caution labels before using this equipment.

EWT-44_Rev0
Revision Date 3-27-12

Table of Contents



DANGER, WARNING, & CAUTION LABELS INFORMATIONPage 3-4

IMPORTANT SAFETY INSTRUCTIONS.....Page 5

PREPARATION & ASSEMBLY TIPSPage 6

ASSEMBLY INSTRUCTIONS – STEP 1Page 7

ASSEMBLY INSTRUCTIONS – STEP 2Page 8

NOTES.....Page 9

PARTS LIST Page 10

EXPLODED VIEW Page 11

WARRANTY Page 12

TuffStuff Fitness Equipment Inc. continually engages in research related to product improvements. Please take the time to carefully read through this manual thoroughly. Instructions contained in this manual are not intended to cover all details or variations possible with Gladiator equipment, or to cover every contingency that may be met in conjunction with assembly, installation, operation, maintenance or troubleshooting of the equipment. Even though we have prepared this manual with extreme care, neither the manufacturer nor the author can accept responsibility for any errors in, or omission from, the information given. Should additional information be required, or should situations arise that are not covered by this manual, the matter should be directed to Customer Service at TuffStuff Fitness Equipment Inc. in Chino, California.

Carefully read ALL Danger, Warning & Caution labels posted on the machine

BNH2915

INSPECTIONS

Recommended Inspection	DAILY	WEEKLY	MONTHLY	6-MONTH
Replace all parts at first signs of wear or damage.				
INSPECT: Links, pull-pins, snap locks, swivels, connectors, selector pin, welded-joints	X			
INSPECT: All decals		X		
CLEAN: Upholstery with lanolin-base cleaner	X			
INSPECT: All nuts and bolts (tighten if needed)		X		
INSPECT: Accessory bars, handles, rubber grips		X		
LUBRICATE: Seat sleeves, pull-pin sliding mechanism, bushings			X	
CLEAN & WAX: All powder-coat finishes				X
Use only genuine TuffStuff replacement parts. Failure to do so will void warranty and could result in serious injury or death.				
TuffStuff Fitness Equipment Inc. 13971 Norton Avenue Chino, CA 91710, USA BNH2915				

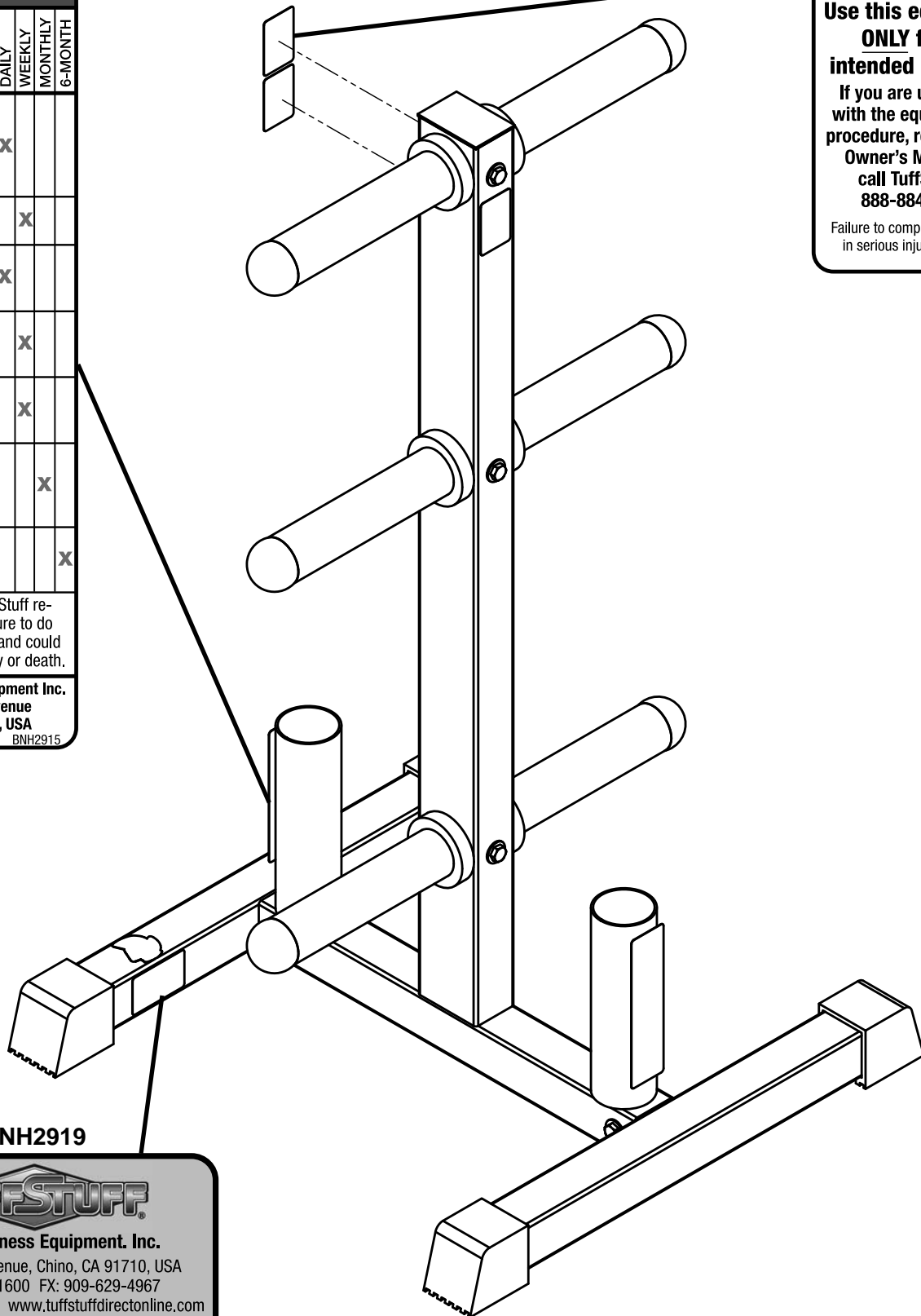
BNH2903

! DANGER

Use this equipment ONLY for its intended purpose.

If you are unfamiliar with the equipment or procedure, refer to your Owner's Manual or call TuffStuff at 888-884-8275.

Failure to comply could result in serious injury or death.
BNH2903



BNH2919



TuffStuff Fitness Equipment, Inc.
13971 Norton Avenue, Chino, CA 91710, USA
PH: 909-629-1600 FX: 909-629-4967
service@tuffstuff.net www.tuffstuffdirectonline.com

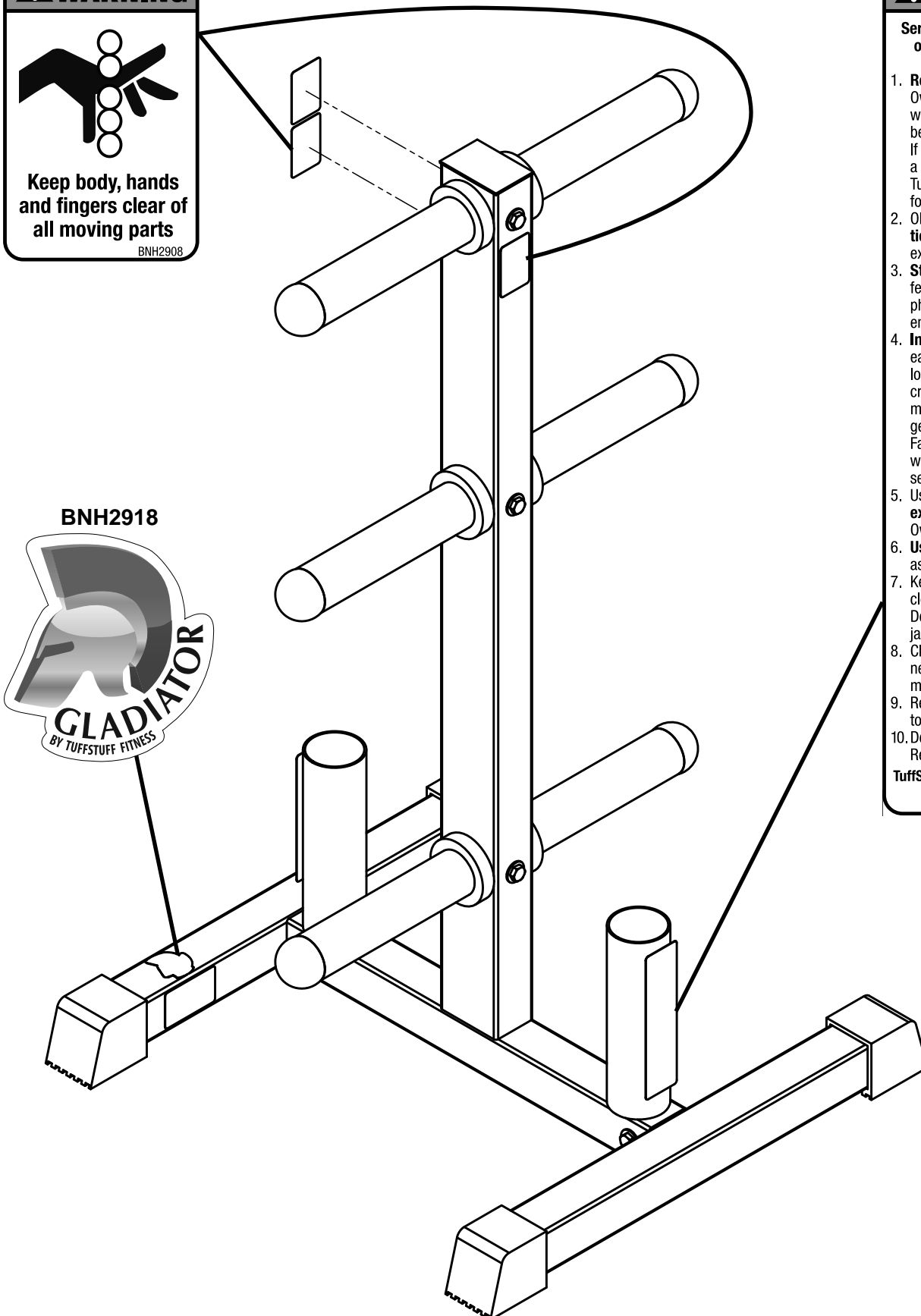
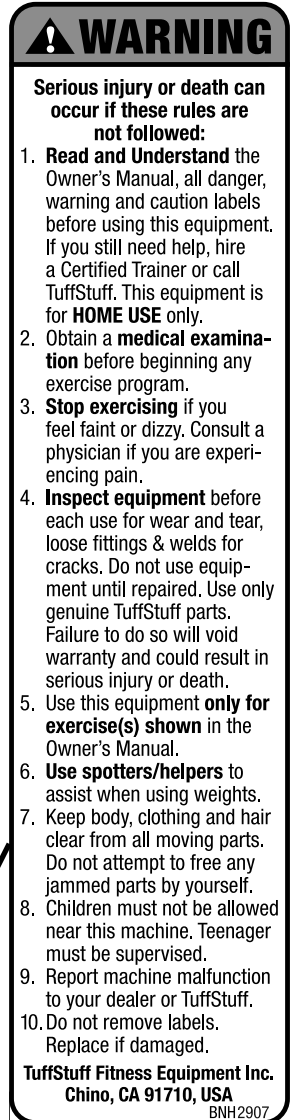
GLADIATOR SERIES
Serial # GLA-00-0000

Carefully read ALL Danger, Warning & Caution labels posted on the machine

BNH2908 Qty. 2



BNH2907



Important Safety Instructions



Before beginning any form of exercise program, it is important to get your physician approval. If you have not participated in a regular exercise program, smoke or have signs of high blood pressure, you must consult with your personal physician before performing any form of physical activities.

⚠ WARNING Before using the equipment, read and understand the Owner's Manual and all **DANGER, WARNING & CAUTION** labels posted on the machine. **SERIOUS INJURY OR DEATH CAN OCCUR IF THESE RULES ARE NOT FOLLOWED:**

1. **Inspect the equipment** before each use for wear and tear, loose fittings, and welded joints for cracks. If it appears to be inoperable or damaged, **DO NOT USE** equipment until repaired. Use only genuine TuffStuff parts. Failure to do so will void warranty and could result in serious injury or death.
2. **Children must not** be allowed near this machine. Teenager must be supervised.
3. Stop exercising if you feel faint or dizzy. Consult a physician if you are experiencing pain.
4. **Use this unit only for storing weights.**
5. **Use spotters/helpers** to assist when using weights.
6. Keep body, clothing and hair clear from all moving parts. Do not attempt to free any jammed parts by yourself.
7. Always warm-up before and cool-down after weight training. Warm-up for 10-15 minutes with stretching and cardiovascular exercises. Cool-down should include light stretching exercises for 5-15 minutes.
8. Never hold your breath – will limit the flow of oxygen to your brain and may cause dizziness. The most often used breathing pattern is inhaling during least resistance and exhaling during maximum resistance.
9. **Do not remove** any decals affixed to the machine. Replace if damaged.
10. Periodic maintenance is required to keep your equipment in safe and proper operating condition. Follow the maintenance schedule as shown in "Inspection" and "Schedule" labels.
11. Do not use accessories or accessory attachments that are not recommended by TuffStuff.
12. Make sure all pull-pins are fully engaged and secured in the holes before performing the exercises.
13. Do not use the equipment outdoors.

⚠ WARNING

400 lbs MAXIMUM LOAD

Personal Safety During Assembly

Before beginning assembly, it is important to take the time to read and review all of the assembly instructions provided in this manual.

Read each step in the assembly instructions and follow the steps in sequence. Do not skip ahead as you may learn later the you have to disassemble the components and that you may have damaged the components or parts.

Assemble, lubricate all moving parts, and operate the EWT-44 on a solid, level and clean surface.

Locate the unit a few feet from the walls or furniture to provide easy access.

After assembly, you should check all nuts & bolts that are wrench-tightened, and all functions to ensure correct operation. If you experience problems, first recheck the assembly instructions to locate any possible errors made during assembly. If you are unable to correct the problem(s), call the dealer from whom you made the purchase first before contacting TuffStuff Customer Service.

Obtaining Service

Please use this Owner's Manual as your guide to all parts included in your shipment. When ordering parts, you must specify the part number and description from this manual. Use only genuine TuffStuff replacement parts when servicing the equipment. Failure to do so will void your warranty and could result in serious injury or death.

For information about product operation or service:

Phone: 909-629-1600
Fax: 909-629-4967
Toll Free: 888-884-8275
E-mail: service@tuffstuff.net
Hours: M-F 8:00 – 4:30 PST

Or write to: TuffStuff Fitness Equipment Inc.
Customer Service
13971 Norton Avenue, Chino, CA 91710

Retain this Owner's Manual for future reference when ordering service or parts. To assist you better, please be prepared to provide the following information:

1. Model Number
2. Place of Purchase
3. Serial Number
4. Part # and Description

EWT-44 Preparation & Assembly

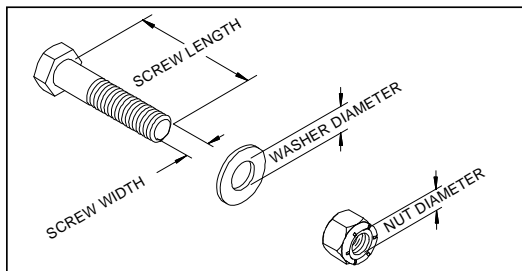


Thank you for purchasing the Gladiator EWT-44 Olympic Plate Tree. This bench is part of the TuffStuff line of quality strength training equipment. To maximize your use of the equipment, please study the Owner's Manual thoroughly.

Required Tools

The basic tools that you will need to assemble the EWT-44 but are not limited to:

- 9/16", 1/2", 14mm, and 13mm combination wrenches
- Adjustable wrench
- Ratchet wrench with 9/16", 1/2", 14mm, and 13mm sockets
- Rubber mallet, measuring tape & utility knife



Assembly Requirements

Follow these installation requirements when assembling the EWT-44. Use the overhead view on the front page cover to layout your floor plan before assembling.

Set up the EWT-44 on a clean, solid, flat surface. A smooth, flat surface under the machine helps keep it level.

Allow ample space around the machine for safe unrestricted use and easier access.

Insert all bolts in the same direction. For aesthetic appearance, insert all bolts in the same direction unless specified (in text or illustration) to do otherwise.

Leave room for adjustments. Do not fully tighten fasteners until instructed in the assembly steps to do so (to prevent any difficulty with alignment of parts during the assembly process). When not instructed, tighten fasteners such as bolts, nuts and screws so the unit is stable, but leave room for adjustments.



Loosely Fasten

Finger tighten all hardware in this step. DO NOT wrench tighten. Some component(s) may need pre-assembly and alignment during the assembly process.



Fully Fasten

Wrench tighten all hardware in this step.

Assembly Tips

Read all "Notes" on each page before beginning each step.

While you may be able to assemble the EWT-44 using the illustrations only, IMPORTANT safety notes and other tips are included in the text.

Some pieces may have extra holes that you will not use. Use only those holes indicated in the instructions and illustration. Safety bolts (Stopper) are placed in some pieces to prevent accidental removal of moving parts, be sure to comply with the manufacturer's request.

NOTE: With so many assembled parts, proper alignment and adjustment is critical. While tightening the nuts and bolts, be sure to leave room for final adjustments.

CAUTION: Obtain assistance if you feel like you can't assemble the EWT-44 by yourself. Please do not attempt to do so as this could result in equipment failure and injuries to you. Review the installation requirements before proceeding with the assembly steps.

Maintenance Requirements

Gladiator equipment is designed to offer long-life service and minimum maintenance. Please refer to the Inspection and Schedule replacement part labels posted on the machine or on pages 3-4 of this manual. Do not use Lysol or Windex as they will dry out and crack the vinyl. Use a lanolin based hand cleaner or naugahyde cleaner on the upholstery.

Registration Card

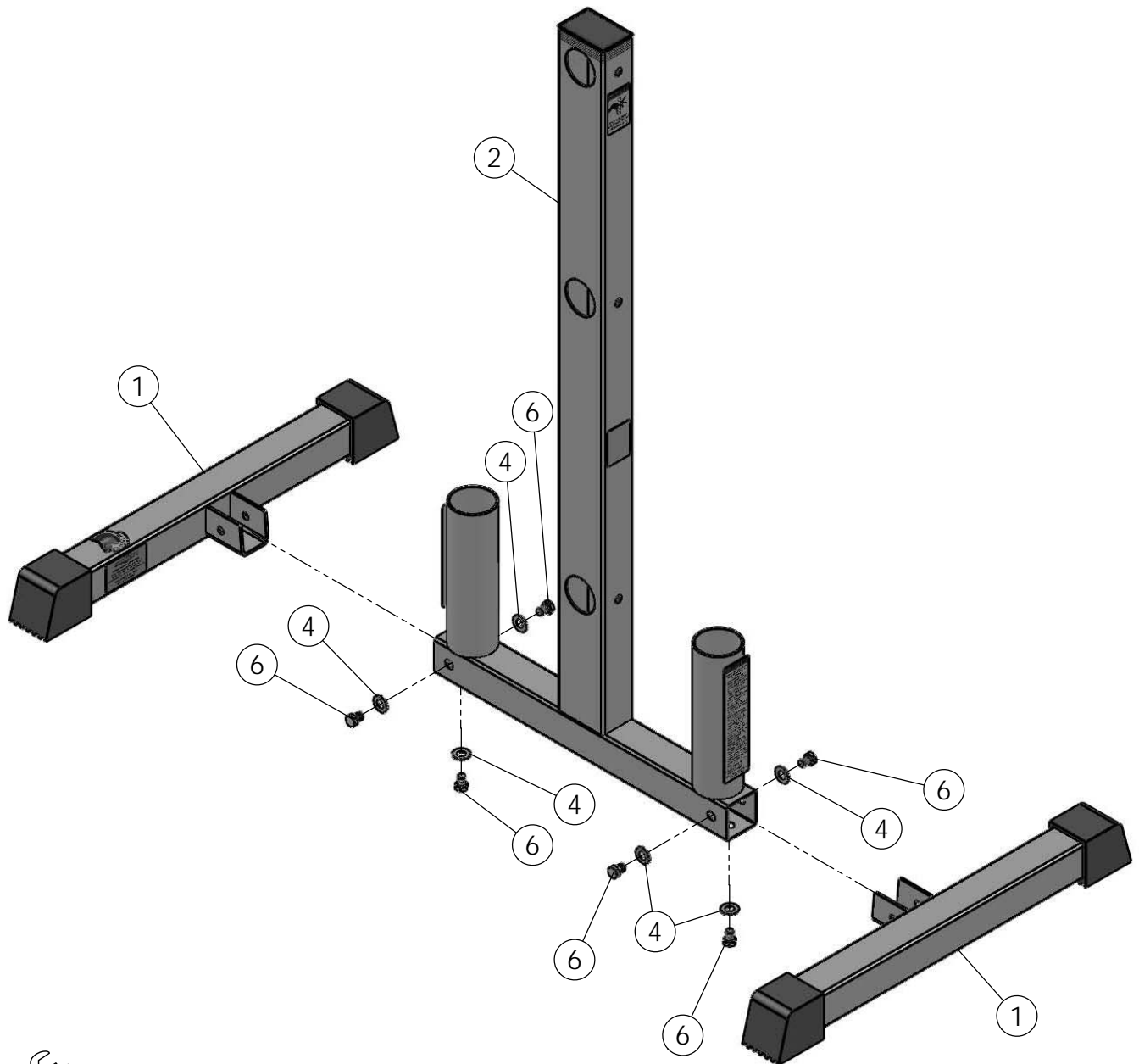
To avoid unnecessary delays on warranty parts and to insure that a permanent record of your purchase is on file with our company, be sure to mail in the warranty registration card or register online at www.tuffstuffdirectonline.com within 10 days of purchase.

EWT-44 Step 1



Assembly List

Item #	Description	Qty.
1	STABILIZER W/CONNECTOR	2
2	MAIN FRAME	1
4	FLAT WASHER SAE Z/P 3/8	6
6	HEX HEAD CAP SCREW Z/P 3/8-16 X 1/2	6



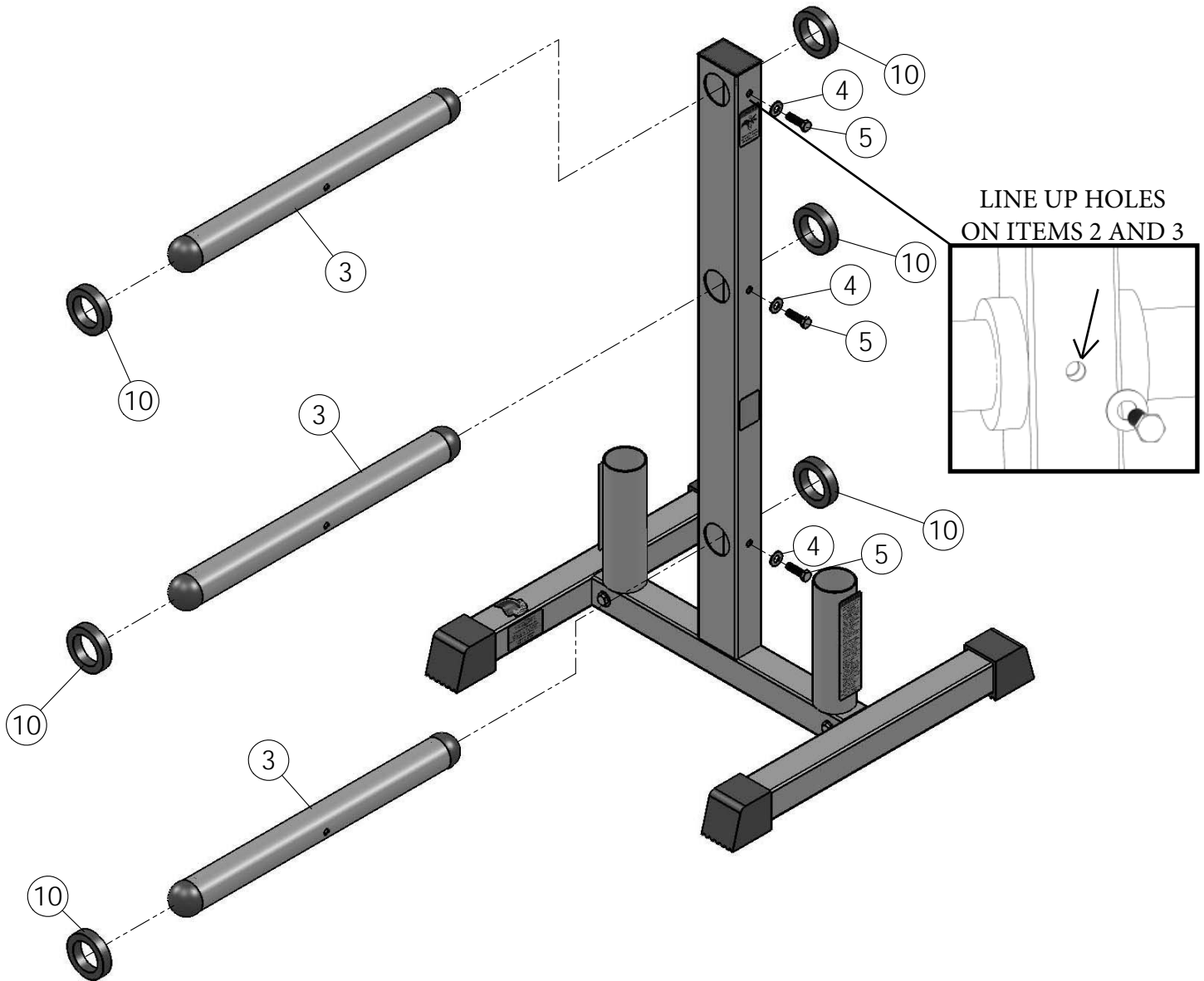
FULLY FASTEN

EWT-44 Step 2



Assembly List

Item #	Description	Qty.
3	WEIGHT PRONG	3
4	FLAT WASHER SAE Z/P 3/8	3
5	HEX HEAD CAP SCREW Z/P 3/8-16 X 1 1/4	3
10	RUBBER BUMPER Ø49*Ø70*15	6



FULLY FASTEN

Notes



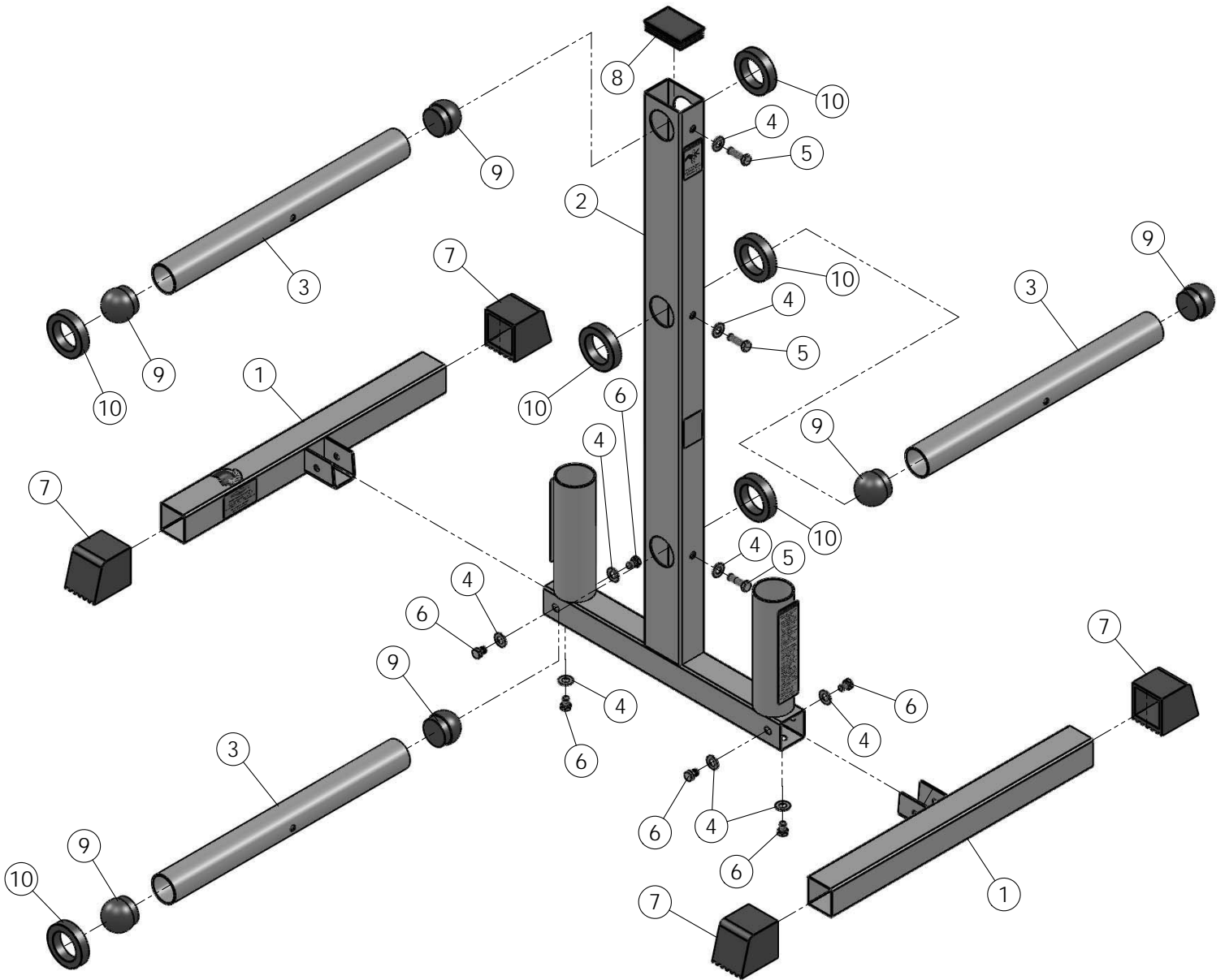
EWT-44 Parts List



EWT-44 Parts List

ITEM	DESCRIPTION	REV	PART NO.	QTY
1	STABILIZER W/CONNECTOR	0	GLA1060	2
2	MAIN FRAME	0	GLA1061	1
3	WEIGHT PRONG	0	GLA1062	3
4	FLAT WASHER SAE Z/P 3/8		BNH0239	9
5	HEX HEAD CAP SCREW Z/P 3/8-16 X 1 1/4		BNH2038	3
6	HEX HEAD CAP SCREW Z/P 3/8-16 X 1/2		BNH4138	6
7	PLASTIC END CAP W/GROOVE 2" SQ		BNH4152	4
8	PLASTIC INSERT CAP 50*75*2		BNH4181	1
9	PLASTIC INSERT CAP RD Ø48*2		BNH4170	6
10	RUBBER BUMPER Ø49*Ø70*15		BNH4171	6
11	LABEL-DANGER USE THIS EQUIPMENT...		BNH2903	1
12	LABEL-WARNING SERIOUS INJURY OR DEATH CAN OCCUR...		BNH2907	1
13	LABEL-WARNING KEEP BODY, HANDS...		BNH2908	2
14	LABEL-INSPECTIONS RECOMMENDED INSPECTION...		BNH2915	1
15	LABEL-GLADIATOR BY TUFFSTUFF FITNESS		BNH2918	1
16	LABEL-GLADIATOR SERIES SERIAL #		BNH2919	1

EWT-44 Exploded View



IMPORTANT: KEEP THIS MANUAL FOR FUTURE REFERENCE

WARRANTY



This warranty applies only in the United States to the products manufactured or distributed by TuffStuff Fitness Equipment Inc. under the Gladiator brand name. The warranty period to the original purchaser is 3 years on the frame and 1 year on ALL parts. TuffStuff warrants that the Product you have purchased for personal, family or household use from TuffStuff or from an authorized TuffStuff dealer is free from defects in materials or workmanship under normal use during the warranty period. This warranty extends only to you, the original purchaser and it is not transferable to anyone.

This warranty does not cover:

- A. TuffStuff products sold for and used in a commercial or institutional environment.**
- B. Any damage, failure or loss caused by accident, misuse, neglect, abuse, improper assembly, improper maintenance, or failure to follow instructions or warnings in the owner's manual and warning labels posted on the machines.**
- C. Use of the product in a manner for which it was not designed.**
- D. It excludes expendable parts such as paint and finish.**
- E. Original product that is altered, or the use of replacement parts and components of another manufacturer.**
- F. VALID ONLY if the Product is assembled and installed according to the instructions provided in the Owner's manual.**

The obligation of TuffStuff under this warranty is limited to repairing or replacing warranted defective parts as TuffStuff may elect, at TuffStuff's facility in Chino, California without charge to the purchaser. Purchaser is responsible for installation of repaired or replaced parts, and all transportation and insurance costs on returned or replaced equipment to and from TuffStuff's facility in Chino.

THE FOREGOING SHALL CONSTITUTE THE SOLE REMEDY OF THE PURCHASER AND THE SOLE LIABILITY OF TUFFSTUFF WITH REGARD TO WARRANTY, WHETHER EXPRESS OR IMPLIED BY OPERATION OF LAW OR OTHERWISE, INCLUDING BUT NOT LIMITED TO ANY IMPLIED WARRANTIES OF MERCHANTABILITY OR FITNESS. TUFFSTUFF SHALL IN NO EVENT BE LIABLE FOR INCIDENTAL OR CONSEQUENTIAL LOSSES, DAMAGES, OR EXPENSES IN CONNECTIONS WITH EXERCISE PRODUCTS. TUFFSTUFF'S LIABILITY HEREUNDER IS EXPRESSLY LIMITED TO THE REPAIRS OR REPLACEMENTS OF WARRANTED DEFECTIVE PARTS.

This written warranty is the final, complete and exclusive agreement of the parties with respect to the quality or performance of the equipment and no action for breach of this written warranty or any implied warranty shall be commenced more than one (1) year after the accrual of the cause of action. No modification of this warranty or waiver of its terms shall be binding on either party unless approved in writing by an authorized representative of the party. Contact TuffStuff Fitness Equipment Inc. at 13971 Norton Avenue, Chino, CA 91710, before returning any defective equipment.

This warranty gives you specific legal rights and you may also have other rights, which may vary from state to state.

SERIAL #

Write your Serial number here for future reference

Purchase Date

Gladiator is a brand name product manufactured and distributed by:



TuffStuff Fitness Equipment Inc.

13971 Norton Avenue, Chino, CA 91710, USA

Phone: 909-629-1600 Fax: 909-629-4967

service@tuffstuff.net service1@tuffstuff.net

www.tuffstuffdirectonline.com