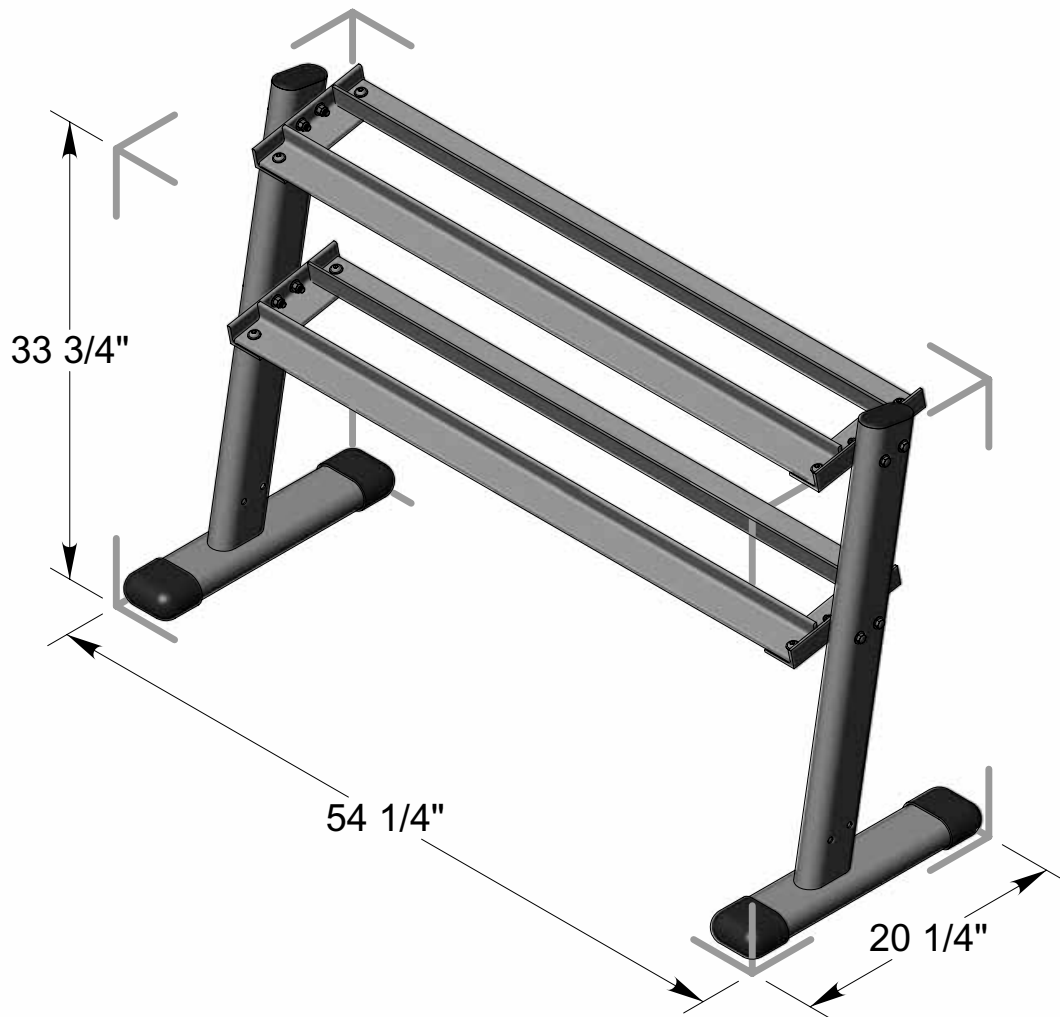


OWNER'S MANUAL



RDR-308

Horizontal Dumbbell Rack (Two Tier)



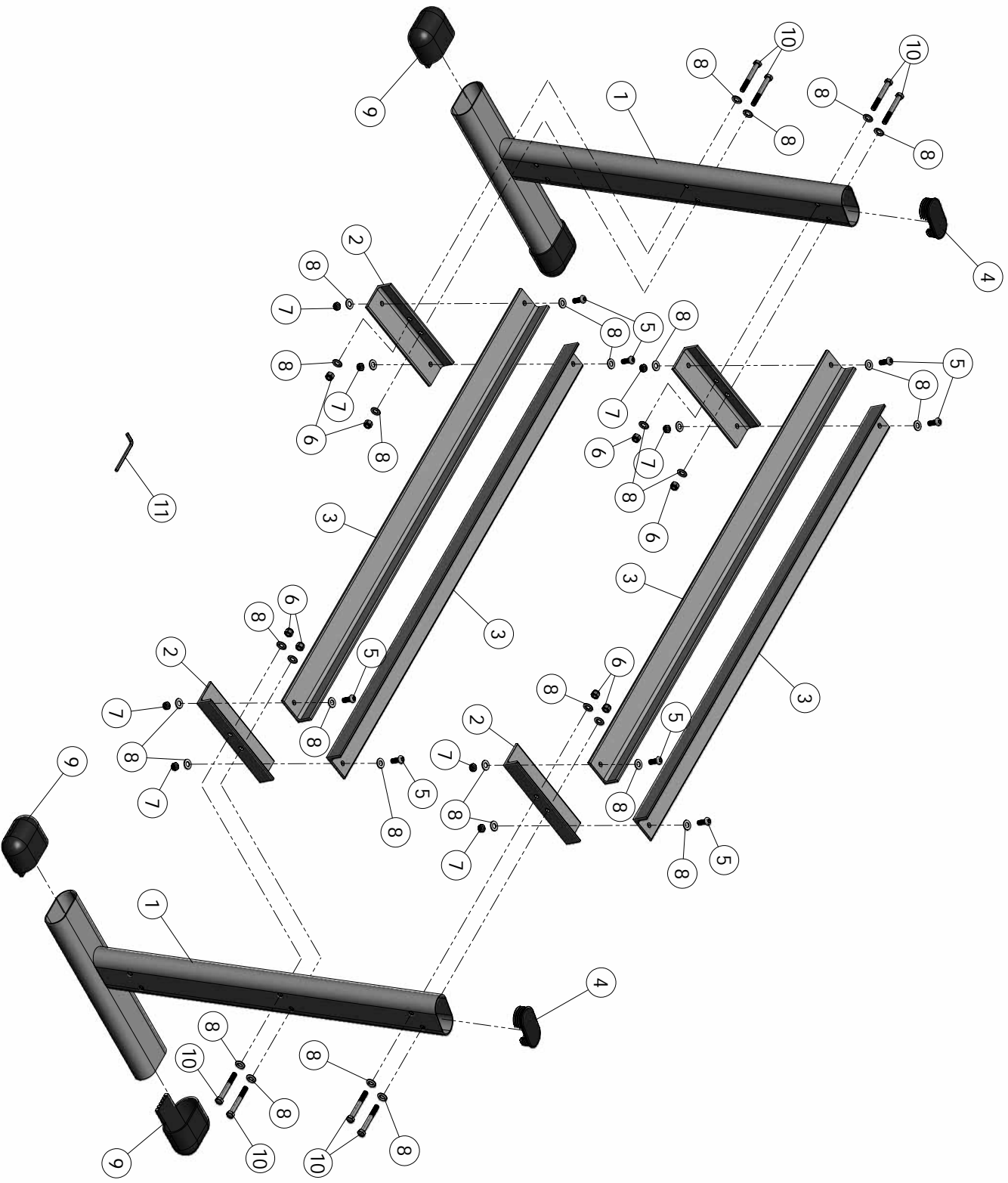
AMERICA'S PREMIER EXERCISE EQUIPMENT

COLOR CHART
BOLD FONT = SUB-ASSEMBLY PARTS
 BLACK= HARDWARE

RDR-308
Parts List

REV0

ITEM	DESCRIPTION	REV	PART NO.	QTY	ITEM	DESCRIPTION	PART NO.	QTY
1	SIDE FRAME	0	UP7021	2	7	NYLON INSERT JAM LOCK NUT B/O 3/8-16	BNH0365	8
2	SIDE BRACE	0	UP2156	4	8	FLAT WASHER SAE 3/8	BNH0239	32
3	RAILS	0	UP2155	4	9	PLASTIC HORIZONTAL ELLIPTICAL SHOE	BNH2246	4
4	PLASTIC INSERT CAP ELLIPTICAL 2 X 4		BNH1794	2	10	HEX HEAD CAP SCREW GR-5 B/O 3/8-16 X 3	BNH0282	8
5	BUTTON HEAD SOCKET CAP SCREW 3/8-16 X 1		BNH0115	8	11	HEX KEY 7/32"	BNH0575	1
6	NYLON INSERT LOCK NUT B/O 3/8-16		BNH0214	8				



DO NOT DISCARD THIS MANUAL



HOME LIFETIME WARRANTY

TuffStuff products are warranted to the retail purchaser to be free from defects in materials and workmanship. TuffStuff exclusive Home Lifetime Warranty coverage extends for the life of the product while owned by the original retail purchaser, and used only in a home or residential setting unless otherwise noted in the owner's manual.

This warranty does not cover:

1. TuffStuff products sold for and used in a commercial or institutional setting.
2. Any damage, failure or loss caused by accident, misuse, neglect, abuse, improper assembly, improper maintenance, or failure to follow instructions or warnings in the owner's manual and warning labels posted on the machine.
3. Use of products in a manner for which they were not designed.
4. Original product that is altered, or the use of replacement parts and components of another manufacturer other than TuffStuff.

Limitations:

The foregoing shall constitute the sole remedy of the purchaser and the sole liability of TuffStuff with regard to warranty, whether express or implied by operation of law or otherwise, including but not limited to any implied warranties of merchantability or fitness. TuffStuff shall in no event be liable for incidental or consequential losses, damages or expenses in connection with exercise products. TuffStuff's liability hereunder is expressly limited to the repairs or replacements of warranted defective parts.

Procedures:

Warranty service will be performed at TuffStuff's facility in Pomona, California. TuffStuff will have the option of either repair or replacement at no charge for any defective product. Purchaser is responsible for installation of repaired or replaced parts and all transportation and insurance costs on returned or replaced equipment to and from TuffStuff's facility in Pomona.

This warranty gives you specific legal rights and you may also have other rights, which may vary from state to state. Effective July 1, 2004.

This warranty is the final, complete and exclusive agreement of the parties with respect to the quality or performance of the equipment and no action for breach of this written warranty or any implied warranty shall be commenced more than one (1) year after the accrual of the cause of action. No modification of this warranty or waiver of its terms shall be binding on either party unless approved in writing by an authorized representative of the party. Contact TuffStuff at 1325 E. Franklin Avenue, Pomona, California 91766, before returning any defective equipment.

Note: Retain your sales receipt and be sure to mail in the warranty registration card to insure that a permanent record of your purchase is on file with the factory and to avoid unnecessary delays in warranty service.

TuffStuff Fitness Equipment, Inc.

1325 E. Franklin Avenue

Pomona, CA 91766, USA

Ph: 909-629-1600 Fax: 909-629-4967

E-mail: service@tuffstuff.net Net: www.tuffstuff.net