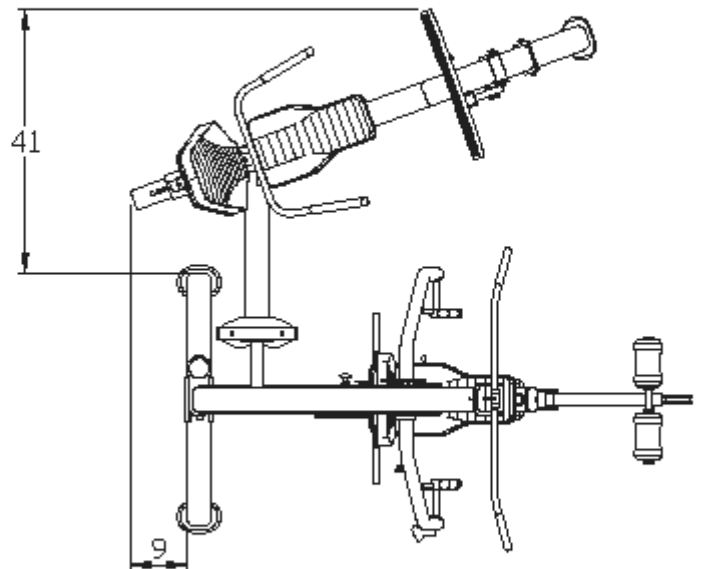


OWNER'S MANUAL



AXT-LPS
Leg Press Option W/Nylon Pulleys (Standard)

AXT-LPD
Leg Press Option W/Aluminum Pulleys (Deluxe)



AMERICA'S PREMIER EXERCISE EQUIPMENT

AXT-LP
L 79" W 47" H 84"

AXT-LP Revd
Revision Date 10-1-07

Introduction

About the AXT-LPS_AXT-LPD Leg Press Option

Congratulations on your new purchase of the AXT-LPS_AXT-LPD. We hope you are completely satisfied with this product and wish you many years of enjoyment.

Tuff Stuff Equipment

This Tuffstuff product has been built to precise quality standards and has been carefully packaged to ensure that damage will not occur during shipment. The Home Lifetime Warranty and signature indicating final inspection has been conducted by our line foreman, is an expression of our confidence in the completeness, the materials, and workmanship of this product.

Warranty

SEE A COPY OF WARRANTY ON BACK PAGE.

Registration Card

To avoid unnecessary delays in warranty service and to insure that a permanent record of your purchase is on file with our factory, be sure to complete the warranty registration card and send it to TuffStuff Fitness Equipment today.

Specifications

1. Maximum Wt. Capacity - 200 lbs.
2. Total Machine Weight - 160 lbs.

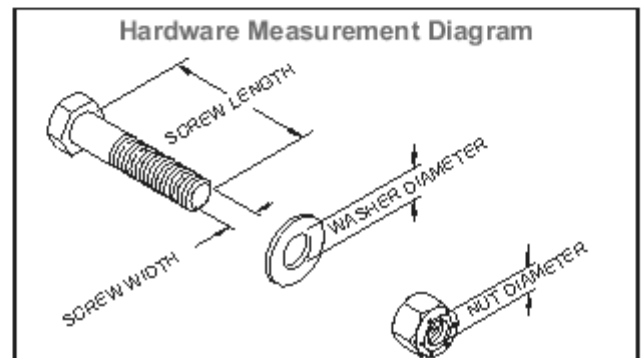
Note: Due to continuing product improvements, specifications and designs are subject to change without notice.

Prior to the Assembly of the AXT-LPS_AXT-LPD

1. We advise you to consult your local Tuff Stuff retailer if you should have a question or problem regarding the proper assembly of this unit.

Tool Requirements

1. One 9/16" combination wrench
2. One 1/2" combination wrench
3. One 7/16" combination wrench
4. One ratchet
5. One 9/16" socket
6. One hammer
7. One rubber mallet
8. Windex or household glass cleaner
9. Measuring tape
10. Utility knife



Safety Precautions

Safety First

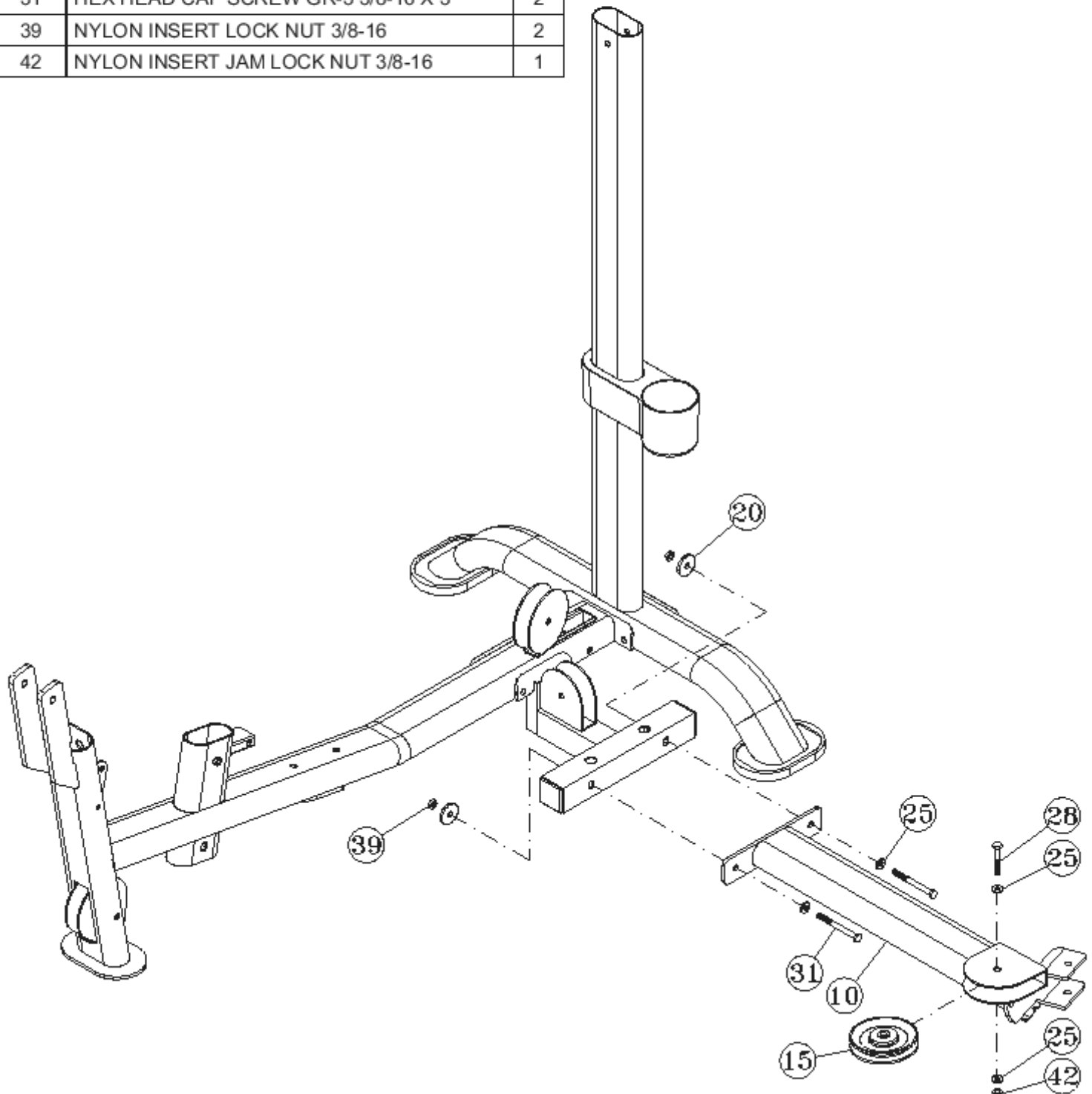
Regardless of how enthusiastic you may be about getting on your equipment and exercising, take the time to ensure that your safety is not jeopardized. A moment's lack of attention can result in an accident, as can failure to observe certain simple safety precautions.

1. Read, study and understand the Assembly Instructions and all the warning labels on this product. Furthermore, it is recommended to familiarize yourself and others with the proper operation and workout recommendations for this Tuff Stuff product prior to use.
2. It is imperative that you retain this Assembly Instructions and be sure all warning labels are legible and intact. Replacement Assembly Instructions and labels are available from your local Tuff Stuff retailer.
3. Consult with your physician before beginning any exercise program.

4. Frayed or worn cables can be dangerous and may cause injury. Periodically check the cable for any indication of wear.
5. Use proper discretion when children are present.
6. Keep hands, limbs, loose clothing and long hair well out of the way of moving parts.
7. Do not attempt to lift more weight than you can control safely.
8. Inspect the Unit for any sign of wear on parts, hardware becoming loose or cracks on welds. If a problem is found **do not use or allow the machine to be used** until the defective part is repaired or replaced.

Assembly List

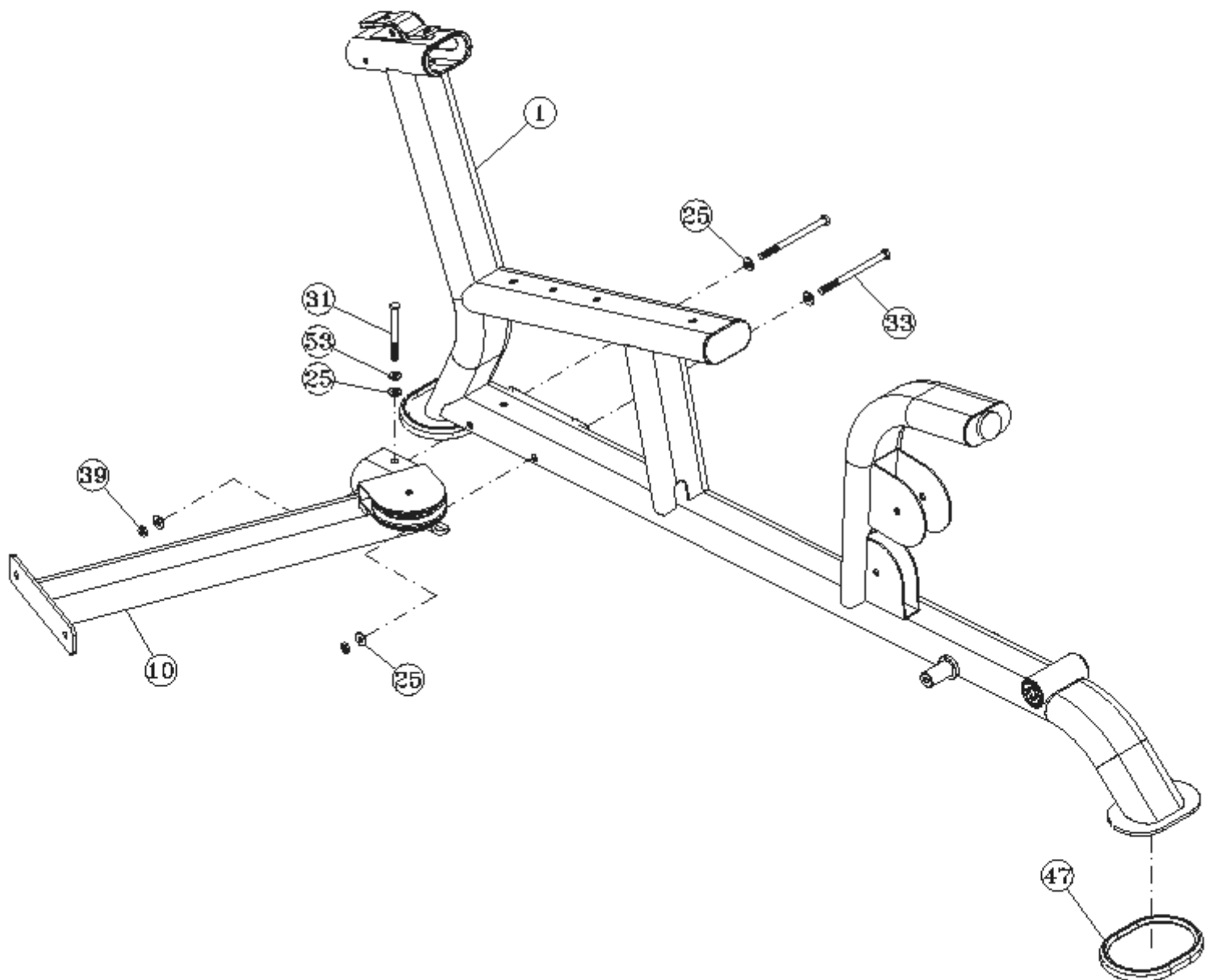
Item #	Description	Qty.
10	LEG PRESS CONNECTOR TUBE	1
15	ALUMINUM PULLEY 3/8 X 1 X 4 1/2	1
20	CHROME WASHER 3/8 X 1 1/2	2
25	FLAT WASHER SAE 3/8"	4
28	HEX HEAD CAP SCREW GR-5 3/8-16 X 1 3/4	1
31	HEX HEAD CAP SCREW GR-5 3/8-16 X 3	2
39	NYLON INSERT LOCK NUT 3/8-16	2
42	NYLON INSERT JAM LOCK NUT 3/8-16	1



Step 2

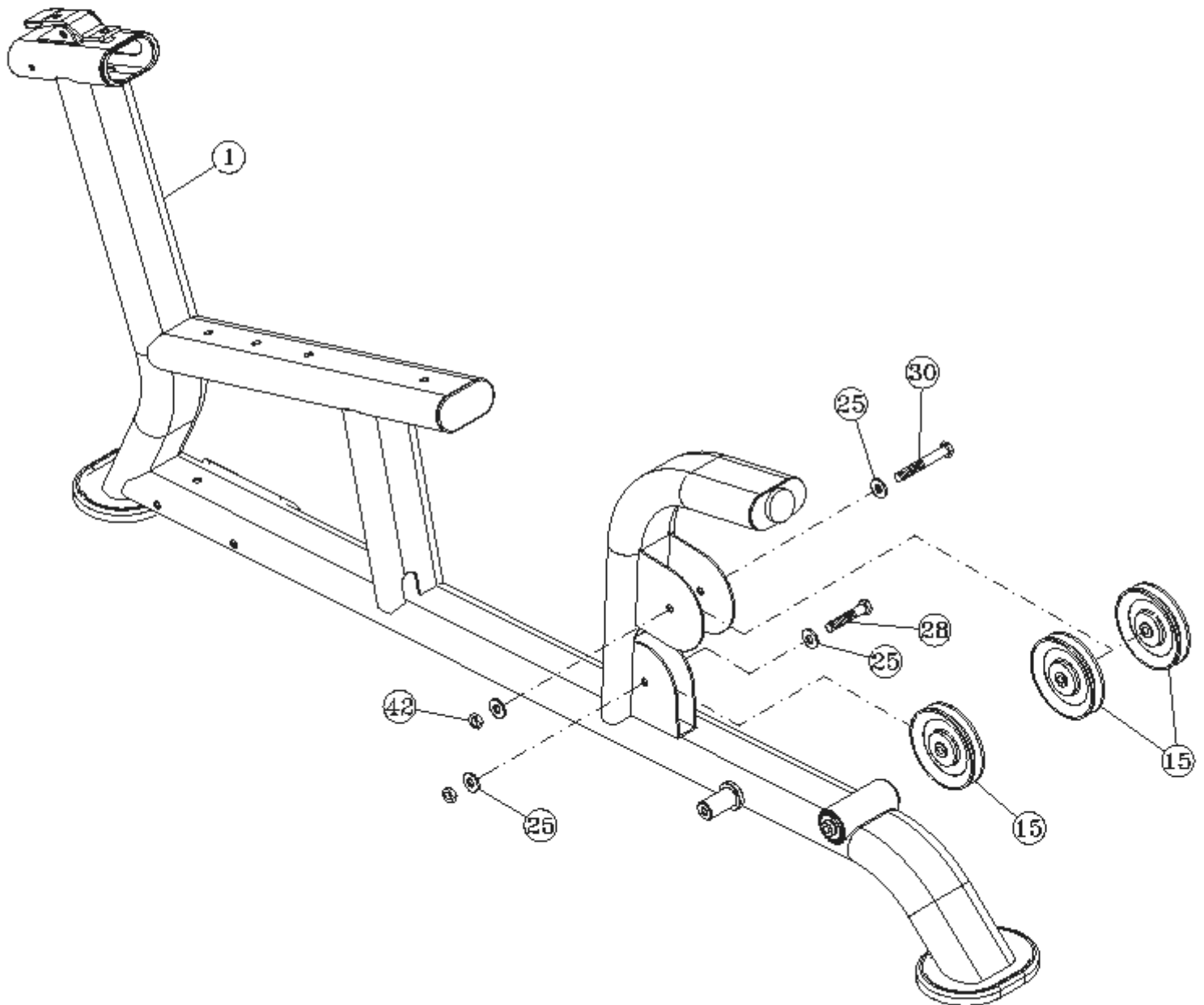
Assembly List

Item #	Description	Qty.
1	LEG PRESS MAIN FRAME	1
10	LEG PRESS CONNECTOR TUBE	1
25	FLAT WASHER SAE 3/8"	4
33	HEX HEAD CAP SCREW GR-5 3/8-16 X 5 1/4	2
39	NYLON INSERT LOCK NUT 3/8-16	2
47	RUBBER FOOT FOR 6 X 4 1/4 PLATE	2



Assembly List

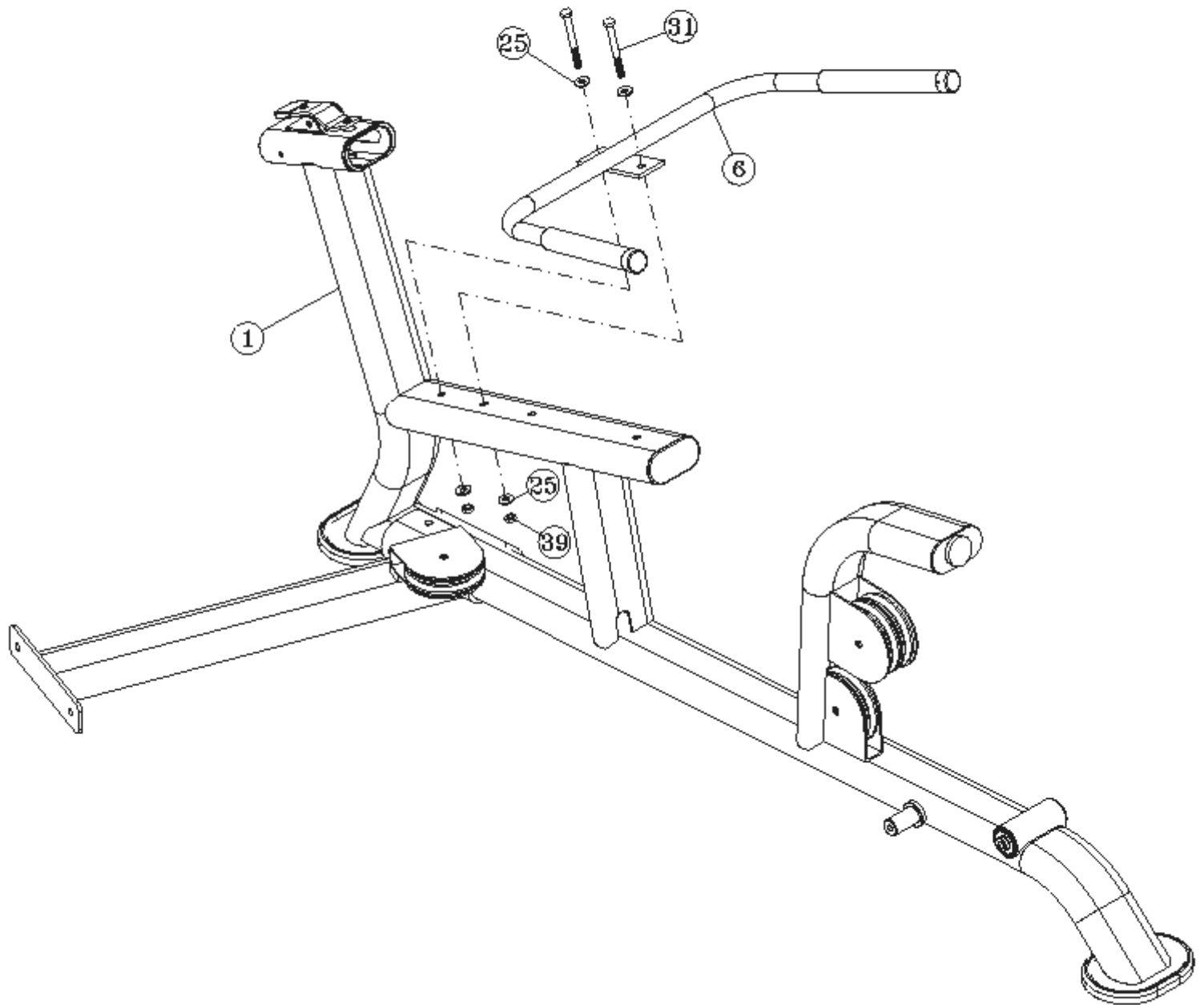
Item #	Description	Qty.
15	ALUMINUM PULLEY 3/8 X 1 X 4 1/2	3
25	FLAT WASHER SAE 3/8"	4
28	HEX HEAD CAP SCREW GR-5 3/8-16 X 1 3/4	1
30	HEX HEAD CAP SCREW GR-5 3/8-16 X 2 3/4	1
42	NYLON INSERT JAM LOCK NUT 3/8-16	2



Step 4

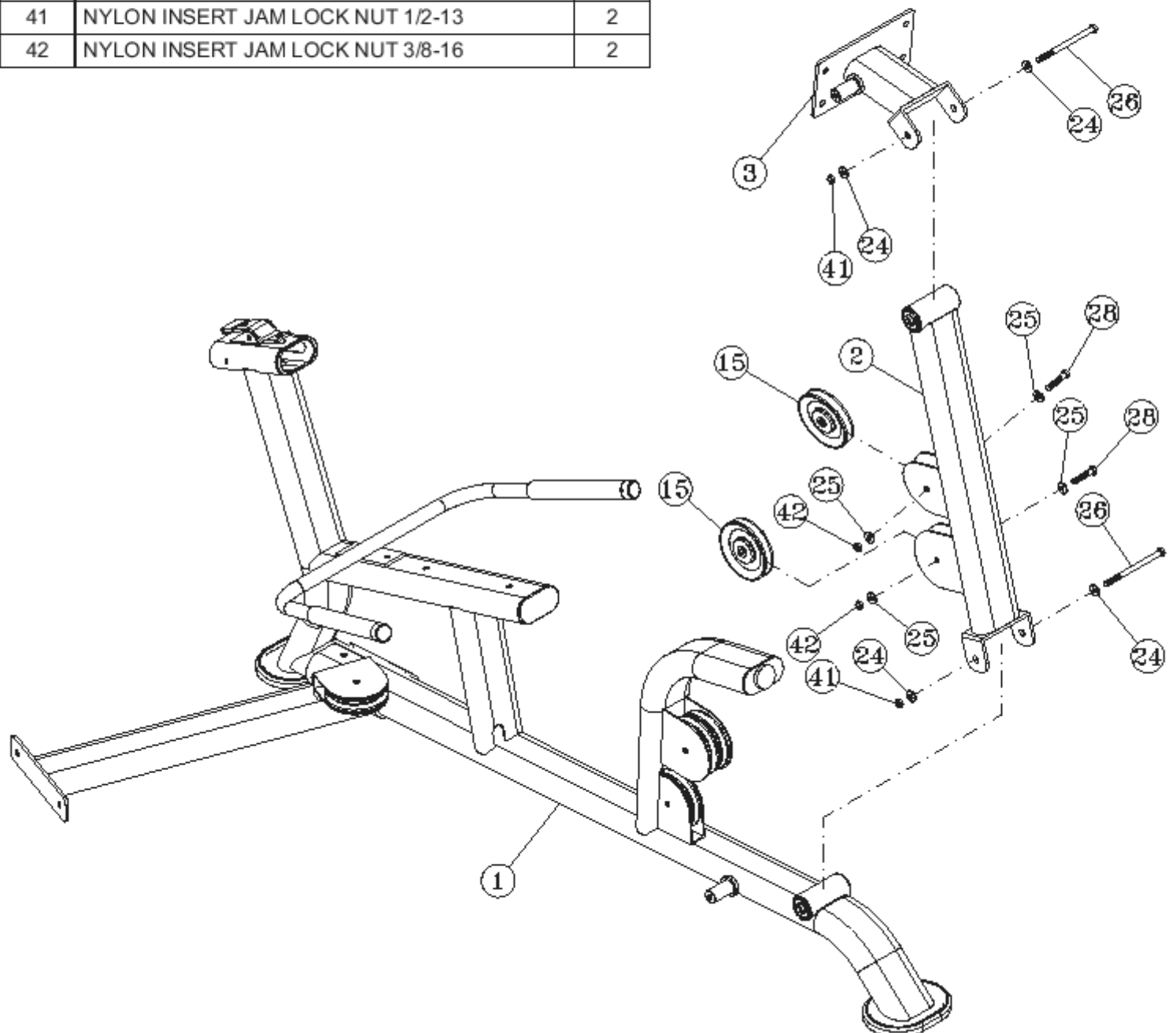
Assembly List

Item #	Description	Qty.
6	LEG PRESS HANDLES	1
25	FLAT WASHER SAE 3/8"	4
31	HEX HEAD CAP SCREW GR-5 3/8-16 X 3	2
39	NYLON INSERT LOCK NUT 3/8-16	2



Assembly List

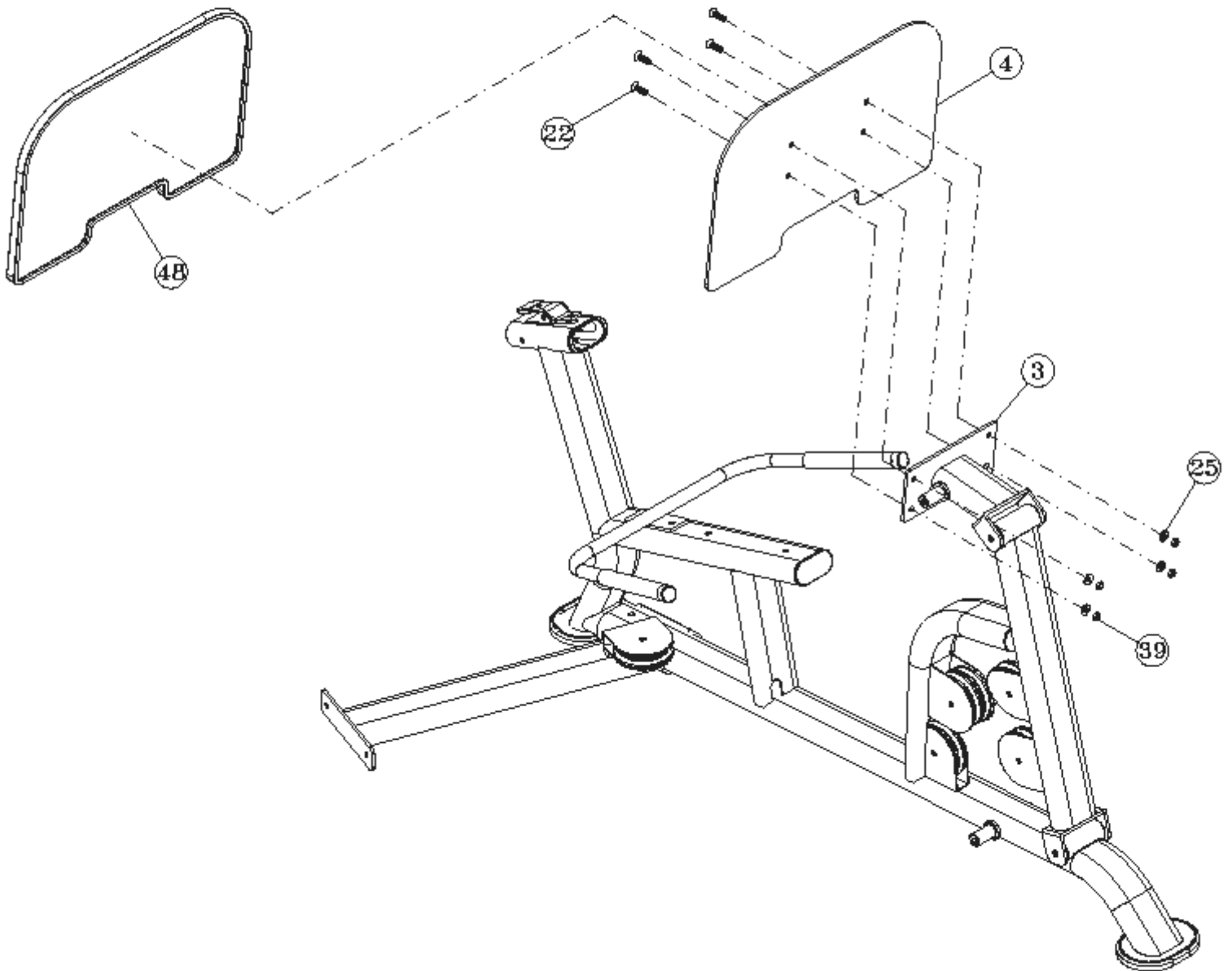
Item #	Description	Qty.
2	LEG PRESS MAIN PIVOT ARM	1
3	FOOT PLAT BRACKET	1
15	ALUMINUM PULLEY 3/8 X 1 X 4 1/2	2
24	FLAT WASHER SAE 1/2"	4
25	FLAT WASHER SAE 3/8"	4
26	HEX HEAD CAP SCREW GR-5 1/2-13 X 5 3/4	2
28	HEX HEAD CAP SCREW GR-5 3/8-16 X 1 3/4	2
41	NYLON INSERT JAM LOCK NUT 1/2-13	2
42	NYLON INSERT JAM LOCK NUT 3/8-16	2



Step 6

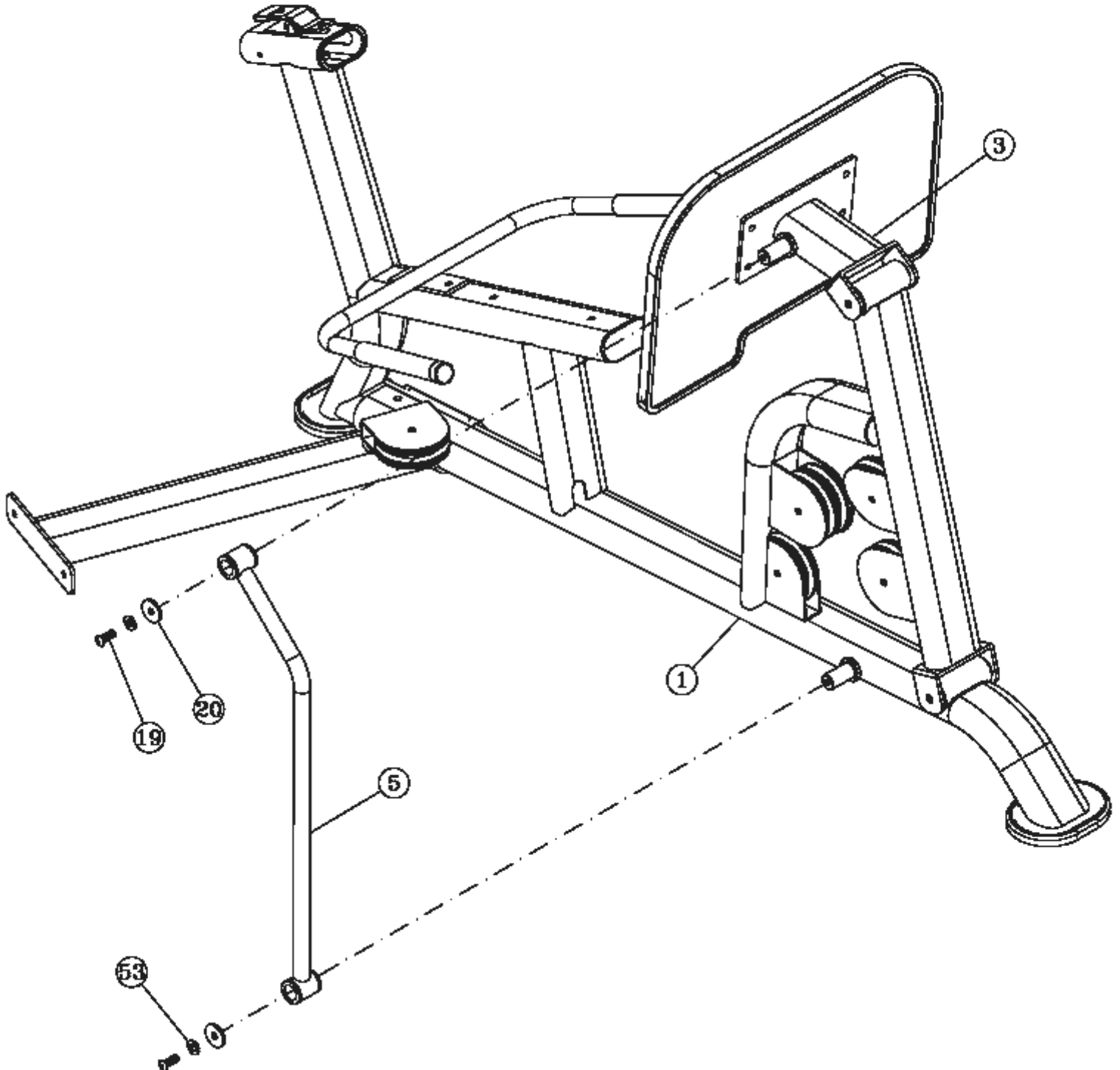
Assembly List

Item #	Description	Qty.
4	FOOT PLATE	1
22	FLAT HEAD SOCKET CAP SCREW 3/8-16 X 1	4
25	FLAT WASHER SAE 3/8"	4
39	NYLON INSERT LOCK NUT 3/8-16	4
48	RUBBER FOOT PLATE COVER	1



Assembly List

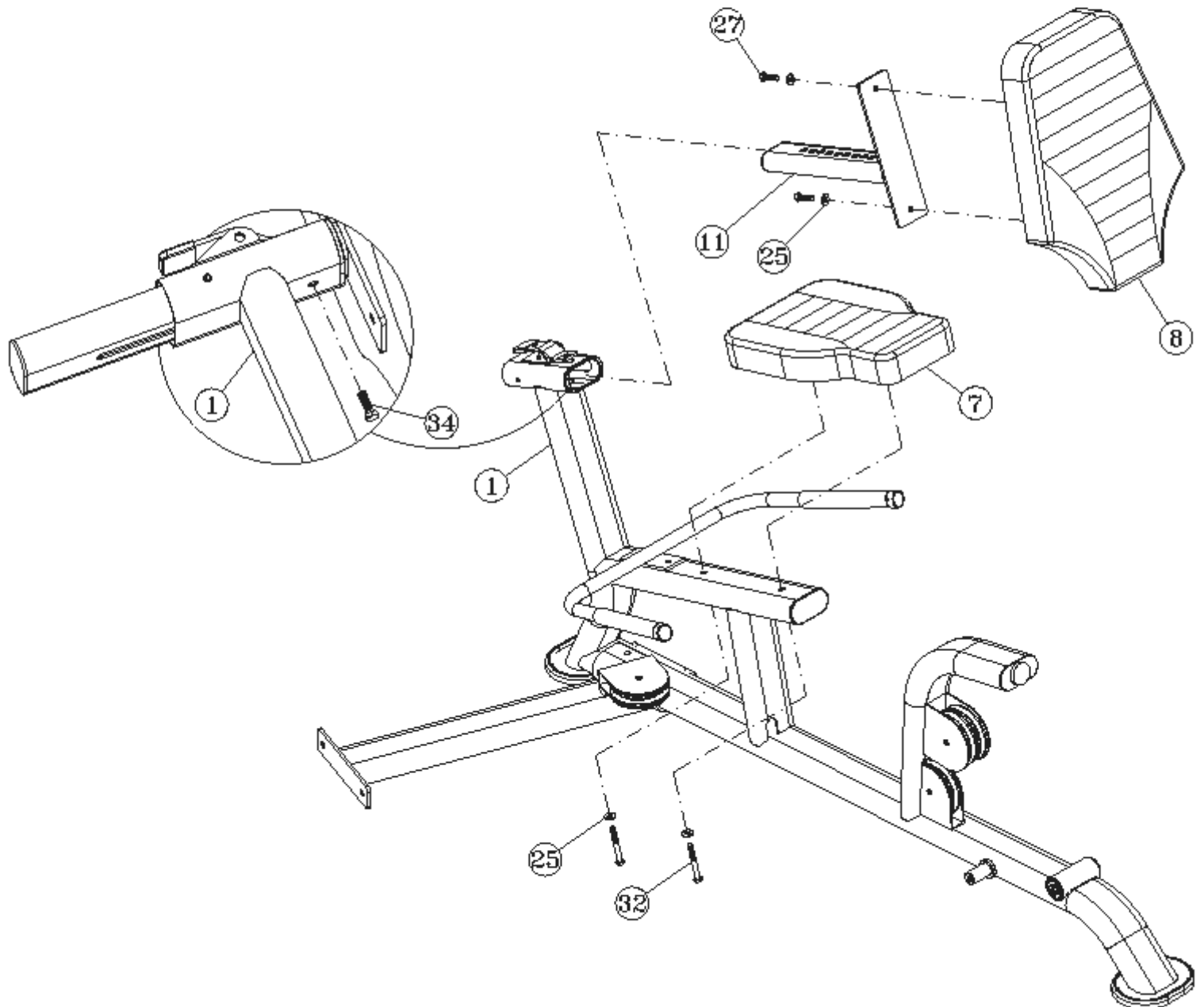
Item #	Description	Qty.
5	LEG PRESS AUXILIARY PIVOT ARM	1
20	CHROME WASHER 3/8 X 1 1/2	2
19	BUTTON HEAD SOCKET CAP SCREW 3/8-16 X 1	2
53	SPLIT LOCK WASHER 3/8"	2



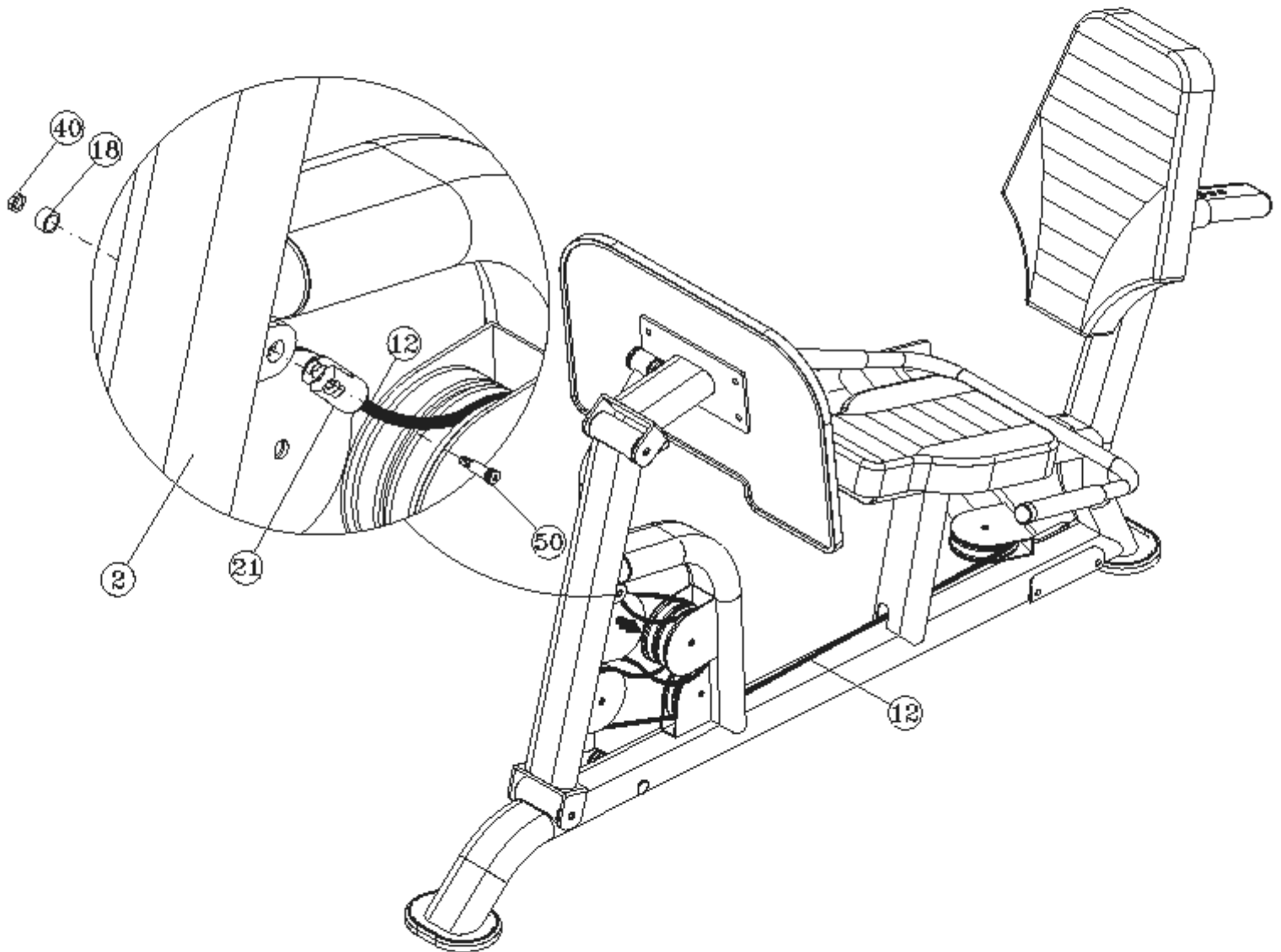
Step 8

Assembly List

Item #	Description	Qty.
7	SEAT PAD	1
8	BACK PAD	1
11	ADJUSTABLE BACK PAD TUBE	1
25	FLAT WASHER SAE 3/8"	4
27	HEX HEAD CAP SCREW GR-5 3/8-16 X 1 1/2	2
32	HEX HEAD CAP SCREW GR-5 3/8-16 X 3 1/4	2
34	HEX HEAD CAP SCREW GR-5 3/8-16 X 1	1



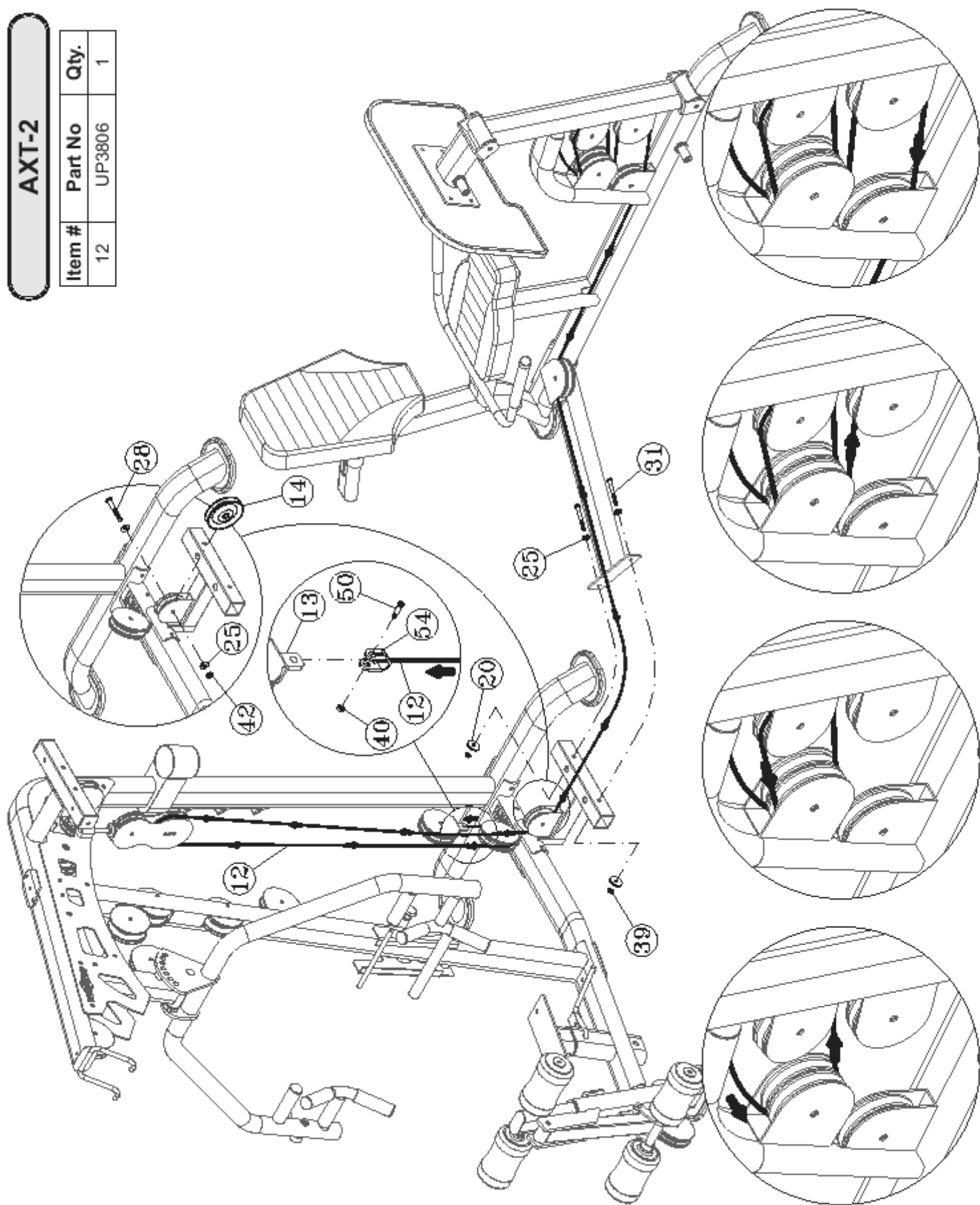
Assembly List		
Item #	Description	Qty.
12	LEG PRESS CABLE	1
21	CLEVIS BRACKET 3/16"	1
40	NYLON INSERT LOCK NUT 5/16-18	1
50	SHOULDER BOLT 3/8 X 3/4	1



Step 10 Assembly of Leg Press Cable to AXT-2S_AXT-2D Unit

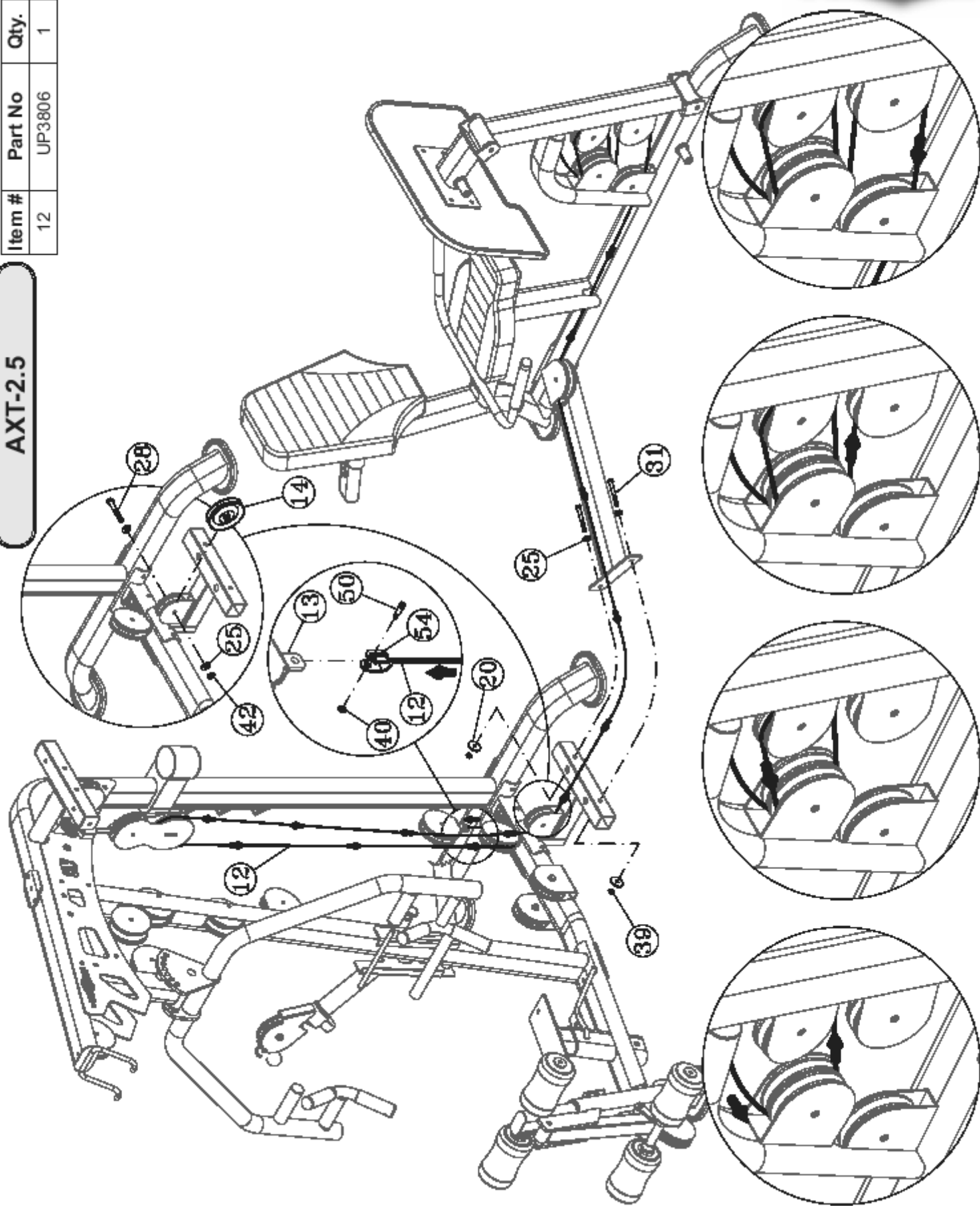
AXT-2

Item #	Part No	Qty.
12	UP3806	1



Item #	Part No	Qty.
12	UP3806	1

AXT-2.5

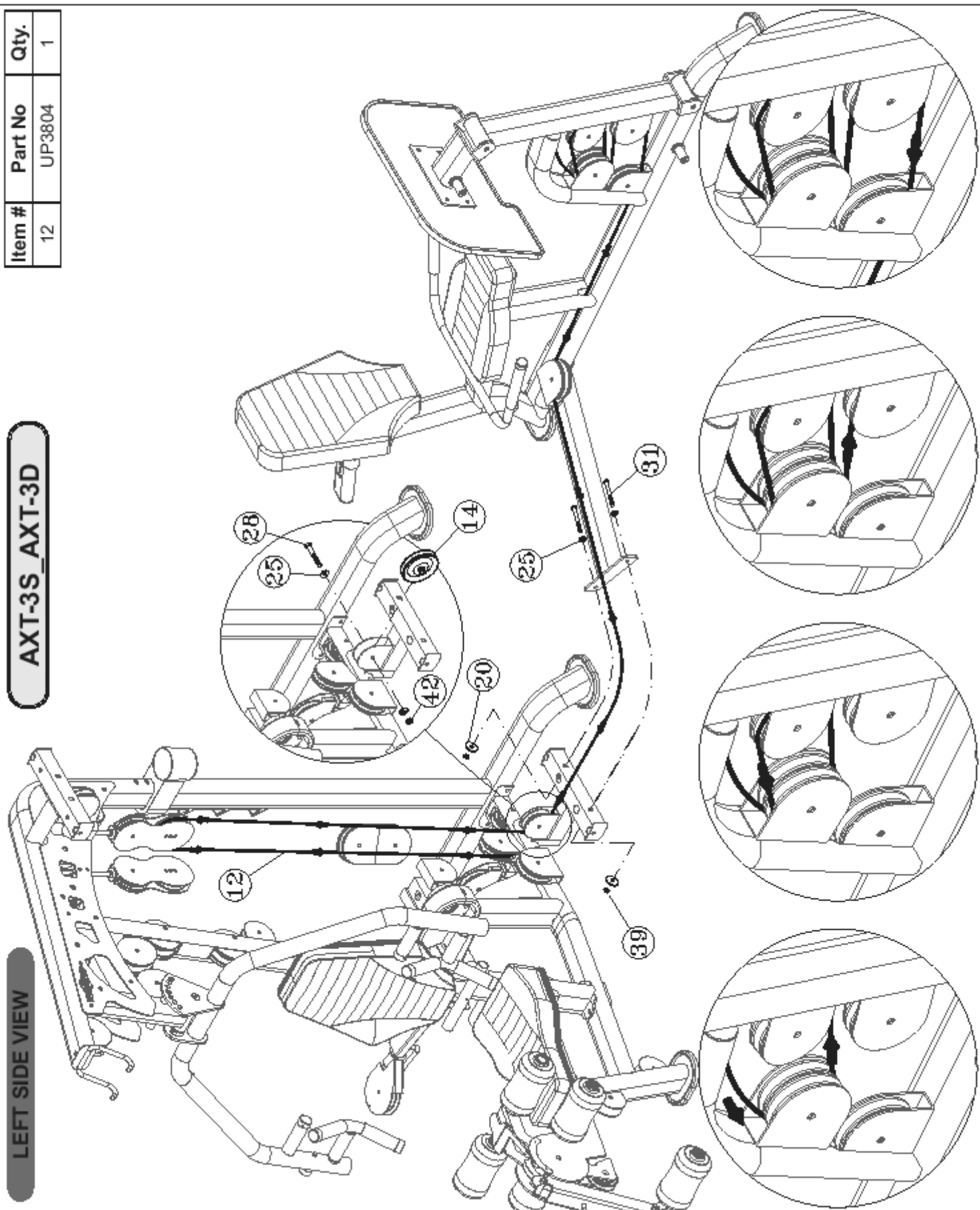


Step 12 Assembly of Leg Press Cable to AXT-3S_AXT-3D Unit

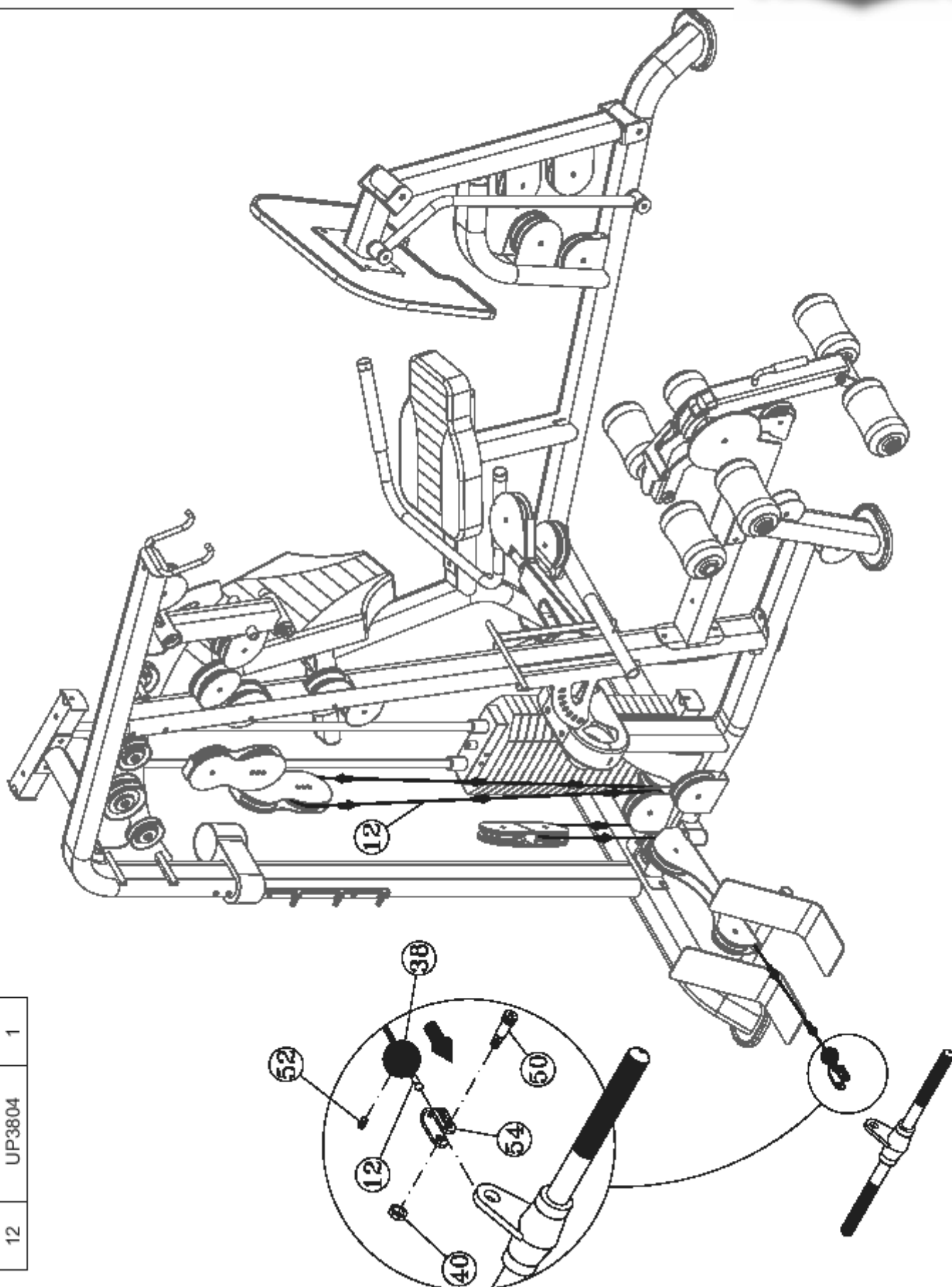
Item #	Part No	Qty.
12	UP3804	1

AXT-3S_AXT-3D

LEFT SIDE VIEW



RIGHT SIDE VIEW



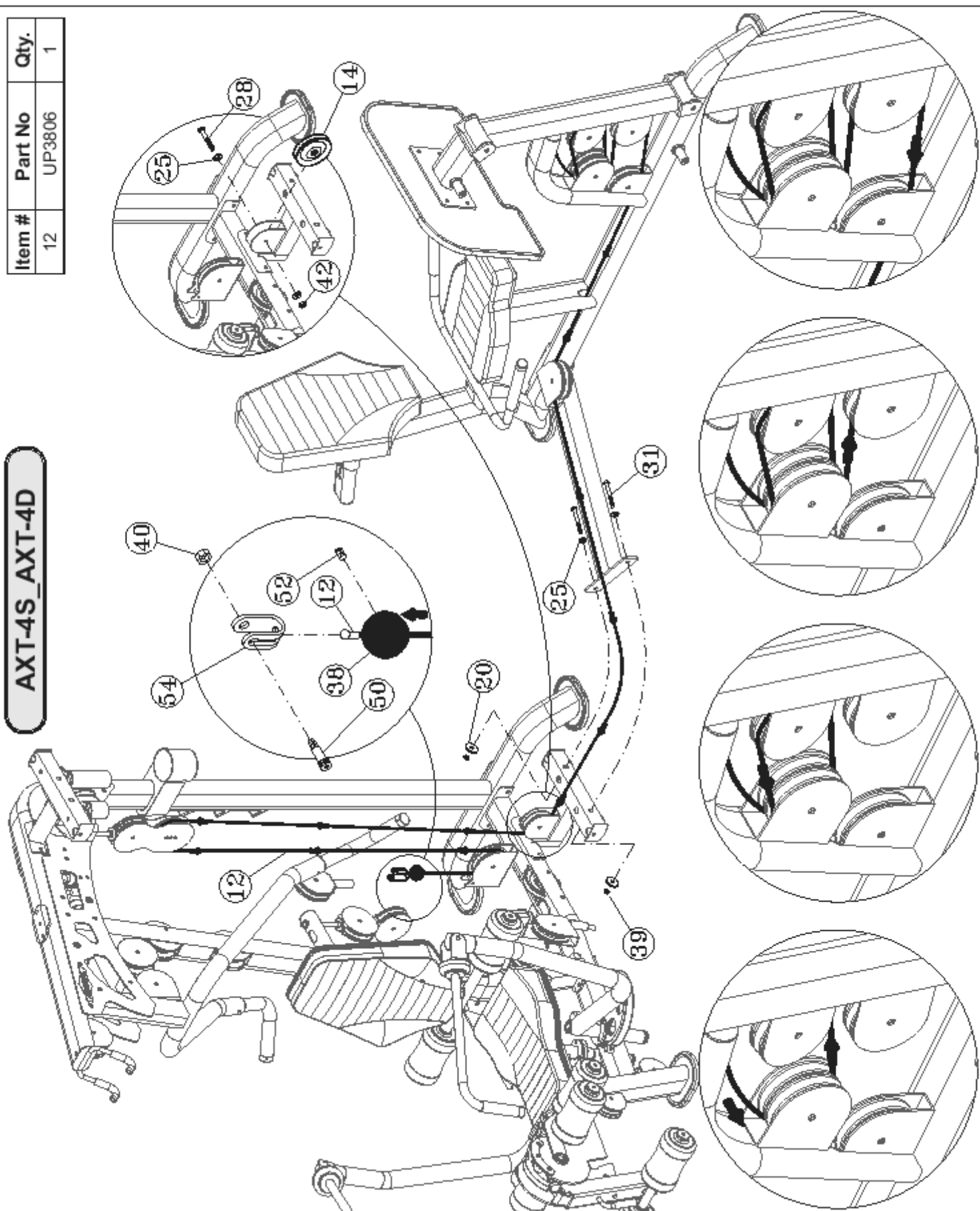
AXT-3S_AXT-3D

Item #	Part No	Qty.
12	UP3804	1

Step 14 Assembly of Leg Press Cable to AXT-4S_AXT-4D Unit

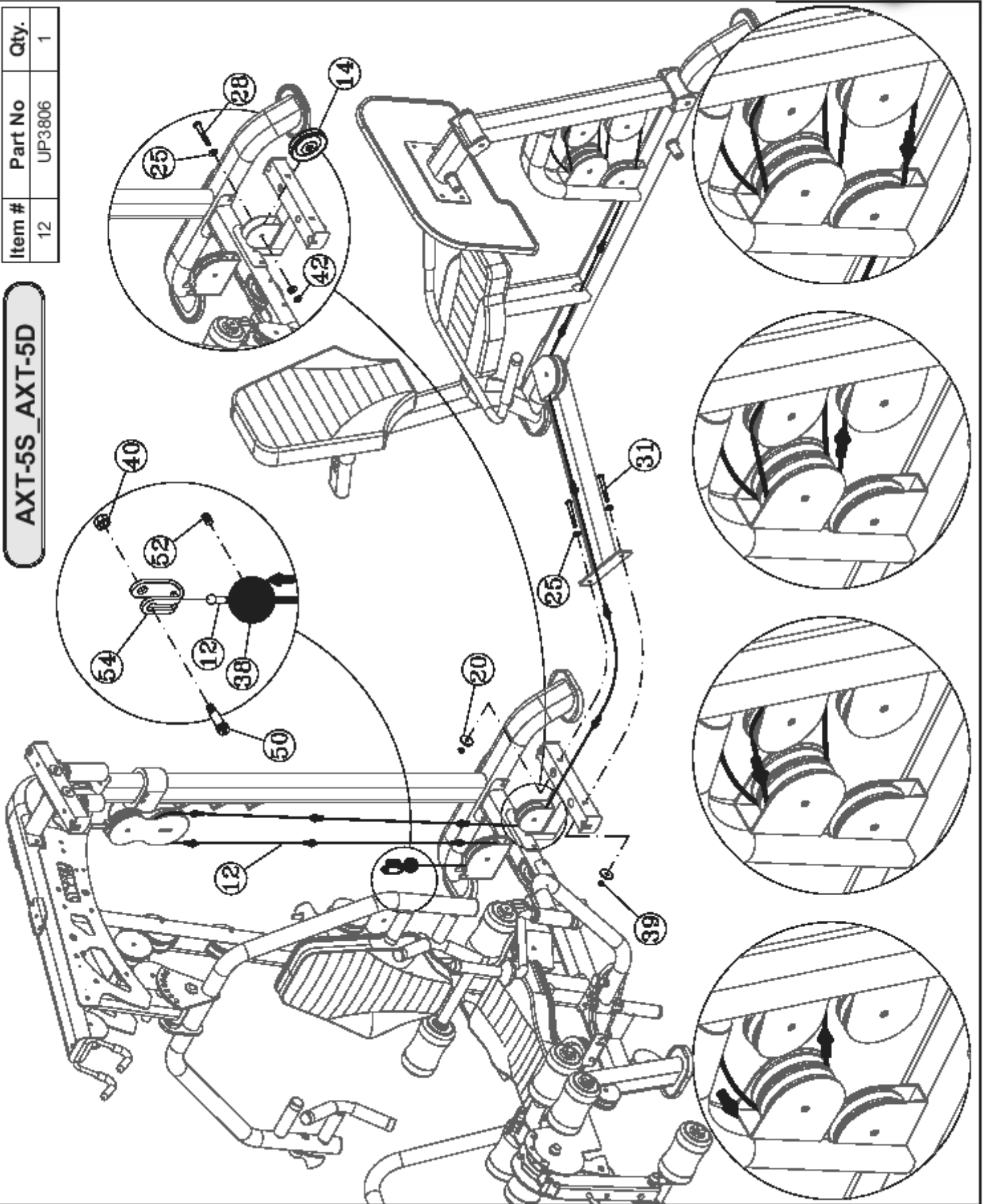
Item #	Part No	Qty.
12	UP3806	1

AXT-4S_AXT-4D



Item #	Part No	Qty.
12	UP3806	1

AXT-5S_AXT-5D



COLOR CHART
 GRAY= SUB-ASSEMBLY PARTS
 BLACK=HARDWARE

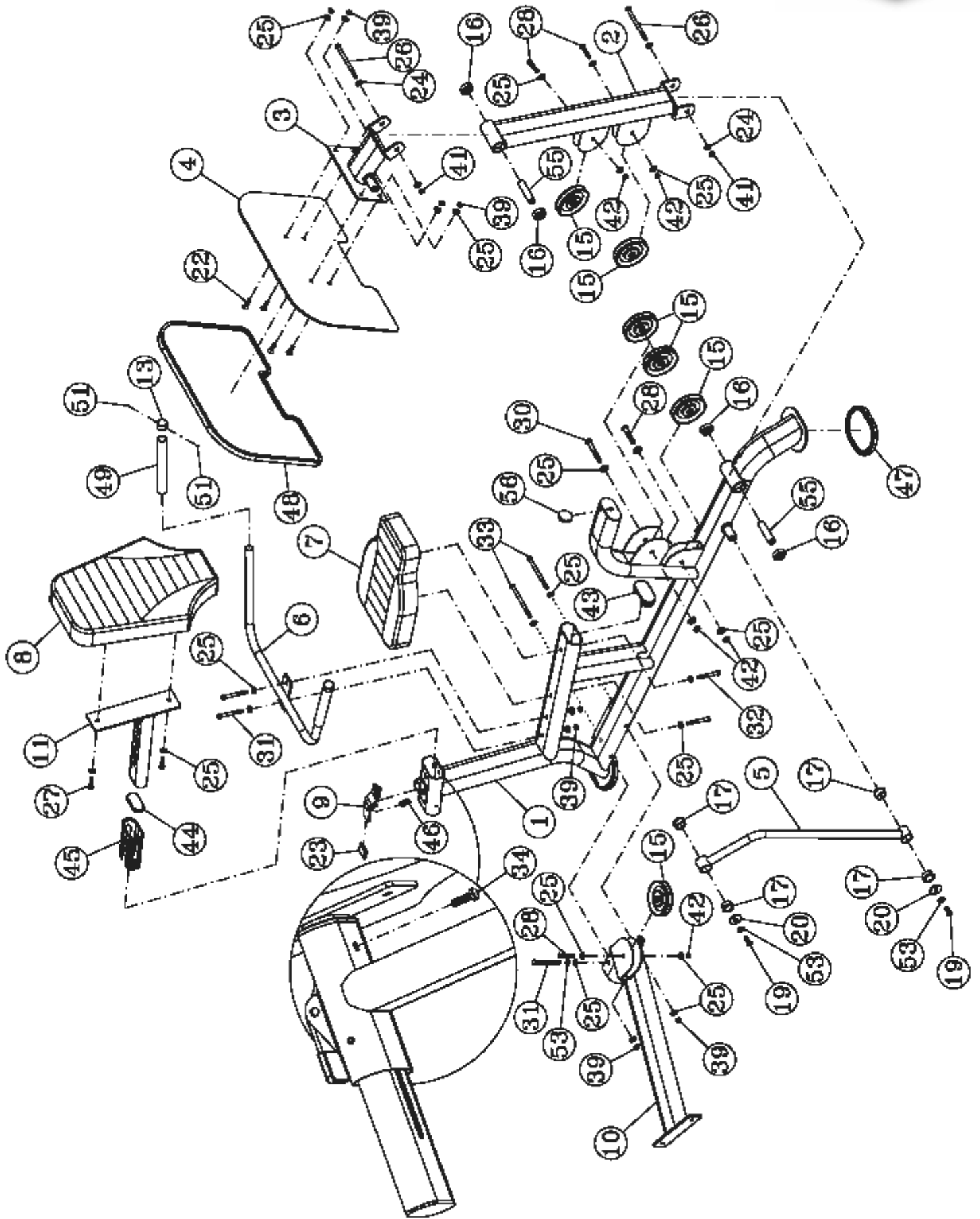
AXT-LPD Parts List

Item No.	Description	Rev.	Part No.	Qty.	Item No.	Description	Part No.	Qty.
1	LEG PRESS MAIN FRAME	0	UP4929	1	30	HEX HEAD CAP SCREW GR-5/3/8-16 X 2 3/4	BNH0278	1
2	LEG PRESS MAIN PIVOT ARM	0	UP4930	1	31	HEX HEAD CAP SCREW GR-5/3/8-16 X 3	BNH0282	5
3	FOOT PLATE BRACKET	0	UP4931	1	32	HEX HEAD CAP SCREW GR-5/3/8-16 X 3 1/4	BNH0312	2
4	FOOT PLATE	0	UP4932	1	33	HEX HEAD CAP SCREW GR-5/3/8-16 X 5 1/4	BNH0690	2
5	LEG PRESS AUXILIARY PIVOT ARM	0	UP4933	1	34	HEX HEAD CAP SCREW GR-5/5/16-18 X 1	BNH0290	1
6	LEG PRESS HANDLES	0	UP4937	1	35	HEX KEY 3/32"	BNH0372	1
7	SEAT PAD	0	UP3724	1	36	HEX KEY 7/32"	BNH0575	1
8	BACK PAD	0	UP4934	1	37	HEX KEY ARM 3/16"	BNH0371	1
9	ADJUSTABLE RELEASE BACK PAD	0	UP3739	1	38	NYLON BALL 1 3/4 X 5/16	BNH0022	1
10	LEG PRESS CONNECTOR TUBE	0	UP4935	1	39	NYLON INSERT LOCK NUT 3/8-16	BNH0214	10
11	ADJUSTABLE BACK PAD TUBE	0	UP4936	1	40	NYLON INSERT LOCK NUT 5/16-18	BNH0215	2
12	LEG PRESS CABLE (AXT-2,2.5,4,5)	0	UP3806	1	41	NYLON INSERT JAM LOCK NUT B/O 1/2-13	BNH0366	2
	LEG PRESS CABLE (AXT-3)	0	UP3804	1	42	NYLON INSERT JAM LOCK NUT 3/8-16	BNH0365	6
13	ALUMINUM CAP 1.020" RD (CAP-100)		BNH0537	2	43	PLASTIC INSERT CAP ELLIPTICAL 1 1/2 X 3	BNH1795	1
14	ALUMINUM PULLEY 3/8 X 1 X 3 1/2		BNH1266	1	44	PLASTIC INSERT CAP ELLIPTICAL 2 X 4	BNH1794	1
15	ALUMINUM PULLEY 3/8 X 1 X 4 1/2		BNH0069	6	45	PLASTIC INSERT ELLIPTICAL GUIDE (2X4)	BNH1760	1
16	BEARING 6203 W/BUSHING		BNH0843	4	46	PULL PIN STIFF SPRING 17/32 X 1 1/2	BNH0519	1
17	BRONZE BUSHING 1 X 1 1/4 X 3/4 X 1 1/2 X 1/8		BNH0527	4	47	RUBBER FOOT FOR 6 X 4 1/4 PLATE	BNH1647	2
18	BRONZE BUSHING 3/8 X 1/2 X 5/16		BNH0737	1	48	RUBBER FOOT PLATE COVER	BNH1716	1
19	BUTTON HEAD SOCKET CAP SCREW 3/8-16 X 1		BNH0115	2	49	RUBBER GRIP 1 ID X .125 X 8 1/4	BNH1811	2
20	CHROME WASHER 3/8 X 1 1/2		BNH1015	4	50	SHOULDER BOLT 3/8 X 3/4	BNH0718	2
21	CLEVIS BRACKET 3/16"		BNH0076	1	51	SOCKET SET SCREW 10-32 X 1/8	BNH0473	4
22	FLAT HEAD SOCKET CAP SCREW B/O 3/8-16 X 1		BNH0222	4	52	SOCKET SET SCREW 3/8-16 X 3/4	BNH0476	1
23	ADJUSTABLE RELEASE LEVER COVER		BNH1940	1	53	SPLIT LOCK WASHER 3/8"	BNH0658	3
24	FLAT WASHER SAE 1/2"		BNH0238	4	54	STRAP BRACKET 20 #5F20 STAINLESS	BNH1332	1
25	FLAT WASHER SAE 3/8"		BNH0239	37	55	BEARING SPACER 3 1/4"	BNH1974	2
26	HEX HEAD CAP SCREW GR-5 B/O 1/2-13 X 5 3/4		BNH1810	2	56	URETHANE BUMPER 1 3/4	BNH0229	1
27	HEX HEAD CAP SCREW GR-5 3/8-16 X 1 1/2		BNH0303	2	57	DECAL-WARNING KEEP HANDS AND FINGERS..	BNH1744	1
28	HEX HEAD CAP SCREW GR-5 3/8-16 X 1 3/4		BNH0274	5	58	EXERCISE FLIP CHART AXT-LP (1 PAGE)	BNH1976	1
29	HEX HEAD CAP SCREW GR-5 3/8-16 X 2 1/2		BNH0276	1				

AXT-LPS

ALL PARTS SAME AS AXT-LPD, EXCEPT FOR THE PARTS LISTED BELOW

Item No.	Description	Rev.	Part No.	Qty.	Item No.	Description	Part No.	Qty.
14	NYLON PULLEY 3/8 X 1 X 3 1/2		BNH0553	1	15	NYLON PULLEY 3/8 X 1 X 4 1/2	BNH0556	6



DO NOT DISCARD THIS MANUAL



HOME LIFETIME WARRANTY

TuffStuff products are warranted to the retail purchaser to be free from defects in materials and workmanship. TuffStuff exclusive Home Lifetime Warranty coverage extends for the life of the product while owned by the original retail purchaser, and used only in a home or residential setting unless otherwise noted in the owner's manual.

This warranty does not cover:

1. TuffStuff products sold for and used in a commercial or institutional setting.
2. Any damage, failure or loss caused by accident, misuse, neglect, abuse, improper assembly, improper maintenance, or failure to follow instructions or warnings in the owner's manual and warning labels posted on the machine.
3. Use of products in a manner for which they were not designed.
4. Original product that is altered, or the use of replacement parts and components of another manufacturer other than TuffStuff.

Limitations:

The foregoing shall constitute the sole remedy of the purchaser and the sole liability of TuffStuff with regard to warranty, whether express or implied by operation of law or otherwise, including but not limited to any implied warranties of merchantability or fitness. TuffStuff shall in no event be liable for incidental or consequential losses, damages or expenses in connection with exercise products. TuffStuff's liability hereunder is expressly limited to the repairs or replacements of warranted defective parts.

Procedures:

Warranty service will be performed at TuffStuff's facility in Pomona, California. TuffStuff will have the option of either repair or replacement at no charge for any defective product. Purchaser is responsible for installation of repaired or replaced parts and all transportation and insurance costs on returned or replaced equipment to and from TuffStuff's facility in Pomona.

This warranty gives you specific legal rights and you may also have other rights, which may vary from state to state. Effective July 1, 2004.

This warranty is the final, complete and exclusive agreement of the parties with respect to the quality or performance of the equipment and no action for breach of this written warranty or any implied warranty shall be commenced more than one (1) year after the accrual of the cause of action. No modification of this warranty or waiver of its terms shall be binding on either party unless approved in writing by an authorized representative of the party. Contact TuffStuff at 1325 E. Franklin Avenue, Pomona, California 91766, before returning any defective equipment.

Note: Retain your sales receipt and be sure to mail in the warranty registration card to insure that a permanent record of your purchase is on file with the factory and to avoid unnecessary delays in warranty service.

TuffStuff Fitness Equipment, Inc.

1325 E. Franklin Avenue

Pomona, CA 91766, USA

Ph: 909-629-1600 Fax: 909-629-4967

E-mail: service@tuffstuff.net Net: www.tuffstuff.net