

SPORTSART C531U UPRIGHT BIKE

TABLE OF CONTENTS

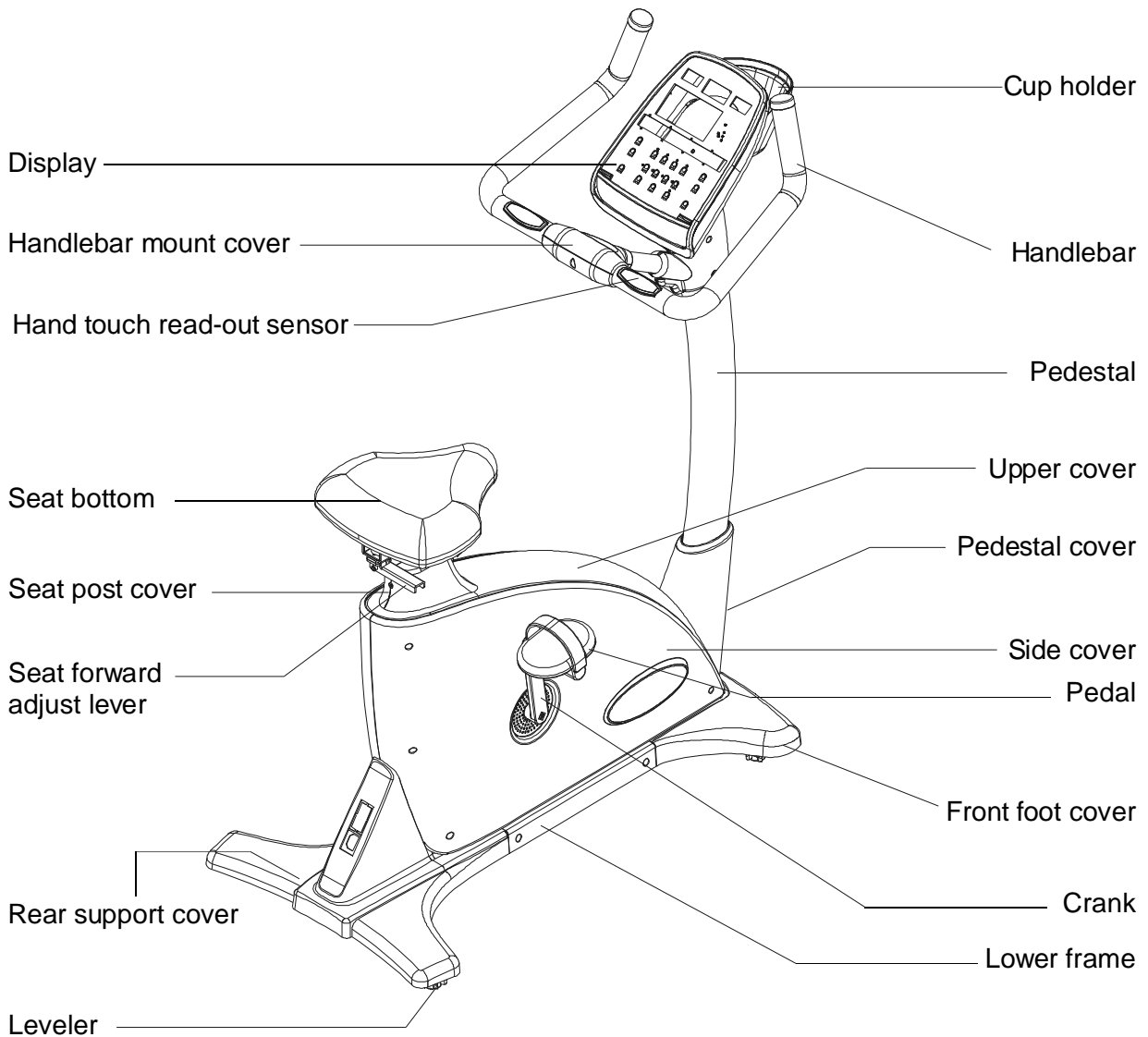
1. INTRODUCTION.....	1
2. IMPORTANT SAFETY PRECAUTIONS	2
3. ASSEMBLING YOUR BIKE	
List of Parts.....	4
Unit Assembly Procedure.....	6
Seat Adjustment Procedure.....	12
Seat Forward/Backward Adjustment.....	13
4. UNDERSTANDING THE C531U DISPLAY CONSOLE	
Display Windows.....	14
Operating the C531U Bike.....	17
Program Functions.....	20
Internal Settings.....	22
5. USER PARAMETER SETTING.....	24
6. MAINTAINING THE BIKE.....	25
7. GUIDELINES FOR EXERCISE	
How long should I exercise	25
How often should I exercise.....	25
8. TROUBLESHOOTING	
Error Messages.....	26
9. WIRING SCHEMATIC.....	27

SPORTSART C531U UPRIGHT BIKE

INTRODUCTION

Congratulations on purchasing one of the finest pieces of exercise equipment on the market today, the SportsArt C531U Upright Bike. Constructed of high quality materials and designed for years of trouble-free usage, the C531U will be an integral part of your fitness regimen.

Before using your C531U bike, we recommend that you familiarize yourself with this Owner's Manual. Whether you are a first time user of an upright bike or a seasoned "pro," understanding the correct use of the equipment will enhance your ability to achieve your exercise goals safely and successfully.



Your SportsArt bike was designed and built for optimum safety. However, certain precautions apply whenever you use your bike. Please read the entire manual before assembly and operation. Also, please note the following safety precautions:

IMPORTANT SAFETY PRECAUTIONS

Please read and observe the following safety guidelines:

- Keep this owner's manual for future use and reference.
- Read this owner's manual and follow the instructions.
- Assemble and operate the bike on a solid, level surface.
- Never allow children on or near the bike.
- Check the machine before every use. Make sure all parts are assembled, and all nuts and bolts are tightened. Do not use the machine if the unit is disassembled in any way.

Warning

- Keep your hands away from moving parts.
- Wear proper workout clothing. DO NOT wear overly loose clothing. Do not wear shoes with leather soles or high heels. Tie all long hair back.
- Do not rock the unit from side to side and take care when mounting and dismounting the unit.
- Do not stand on the unit.

- Do not use accessories that are not specifically recommended by the manufacturer as these might cause injuries or cause the unit to fail.
- Allow sufficient space on both sides of the bike for users to mount and to dismount the unit.
- If any parts fail or are defective, please stop your workout immediately and contact your authorized dealer for repairs.
- Work within your recommended exercise level; DO NOT work to exhaustion.
- If you feel any pain or abnormal sensations, STOP YOUR WORKOUT. Consult your physician immediately.
- The weight limit for this bike is 150 kgs (330 lbs).

Caution

Before beginning any exercise program, you should consult with your doctor. It is recommended that you undergo a complete physical examination.

SAVE THESE INSTRUCTIONS

ASSEMBLING YOUR BIKE

Thank you for purchasing our product. Even though we go to great efforts to ensure the quality of each product, occasional errors and/or omissions do occur. Please contact your dealer if you find this product to be defective or missing a part. Please read this owner's manual and follow the instructions.

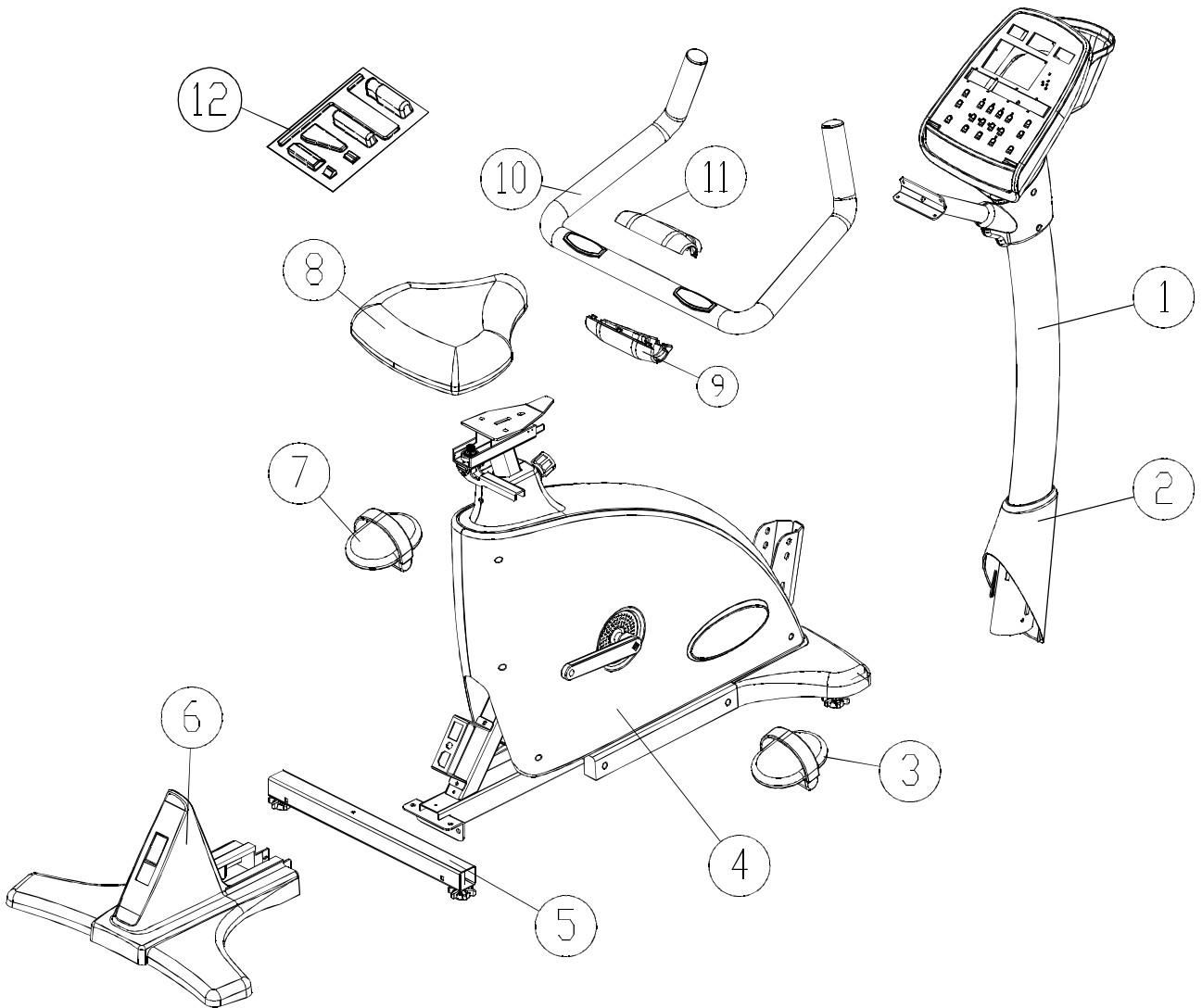
IMPORTANT: The packing for this bike was designed to protect it during shipment. Please store the original packing in a safe place in case you need to ship the unit in the future.

LIST OF PARTS

Before assembling your bike, make sure that you have all of the following items.

1. Pedestal
2. Pedestal cover
3. Right pedal
4. Main frame
5. Rear support
6. Rear support cover
7. Left pedal
8. Seat bottom
9. Handlebar mount lower cover
10. Handlebars
11. Handlebar mount upper cover
12. Hardware kit
 - 1-Open double end wrench, 1 pc
 - 2-L-shaped Allen wrench (M5), 1 pc
 - 3-L-shaped Allen wrench (M6), 1 pc
 - 4-Screwdriver handle (green), 1 pc
 - 5-Double-ended screwdriver stem, 1 pc
 - 6-Round head Phillips screws, 5 pc
 - 7-Screw inserts, 6 pc

- | | |
|-----------------------|---------------------------------|
| 1. Pedestal | 7. Left pedal |
| 2. Pedestal cover | 8. Seat bottom |
| 3. Right pedal | 9. Handlebar mount lower cover |
| 4. Main frame | 10. Handlebars |
| 5. Rear support | 11. Handlebar mount upper cover |
| 6. Rear support cover | 12. Hardware kit |



Unit Assembly Procedure

STEP 1. For the following, please refer to Figure 1. ① Secure the rear support bar to the unit frame. ② Press screw inserts E into the holes. ③ Loosen screws A, B, C, D to make room for the rear support cover. Slide the rear support cover into place. Then secure those screws.

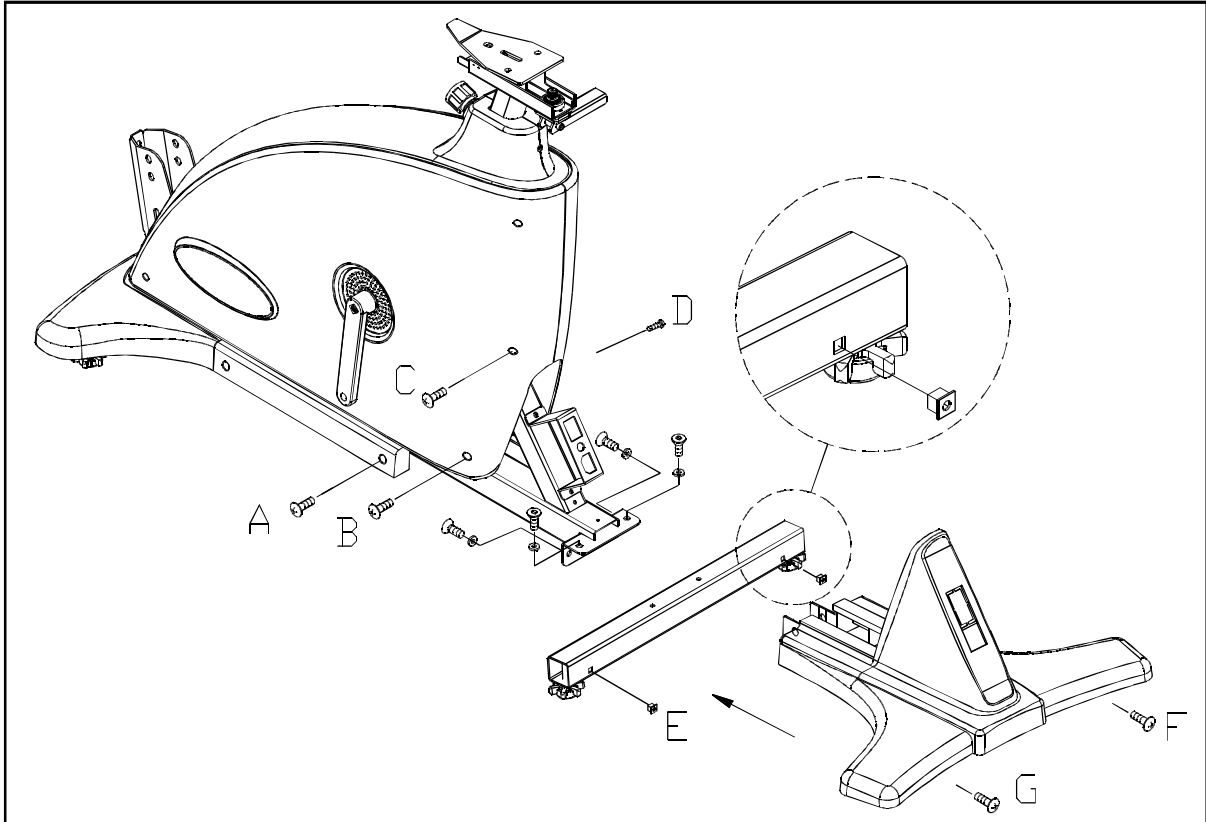


Fig.1

Note: Hold the rear support cover at a 5-degree angle while inserting it into the frame. Press lightly at G to insert the top into both sides of the cover. When the top has entered the side covers, then slide the cover straight onto the support bar as shown in Figure 2.

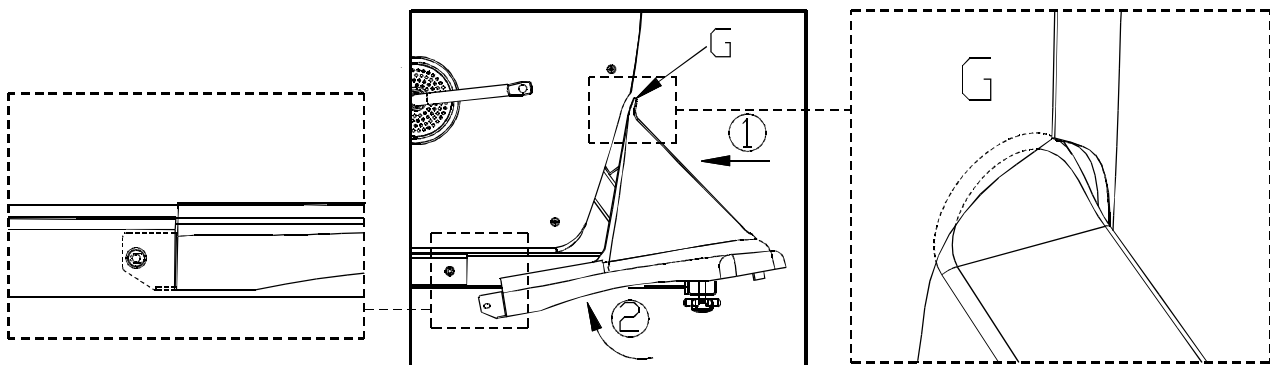


Fig.2

- STEP 2. ① First slip the pedestal cover onto the pedestal. Position the data cable for safety. Then insert the pedestal onto its mount. Lightly tighten bolts A into the lower holes (at position D) to secure the pedestal. Do not fully tighten these bolts. Pull the pedestal downward until the other holes come into place and bolts can be secured. See Figure 3.
- ② Tighten bolts in position C, as shown in Figure 4. Then secure bolts in positions A and B, as shown in Figure 4.
- ③ Connect data cable connectors, then insert the cable into the pedestal, as shown in Figure 5.
- ④ Place the pedestal cover in place to meet the top cover, as shown in Figure 6.

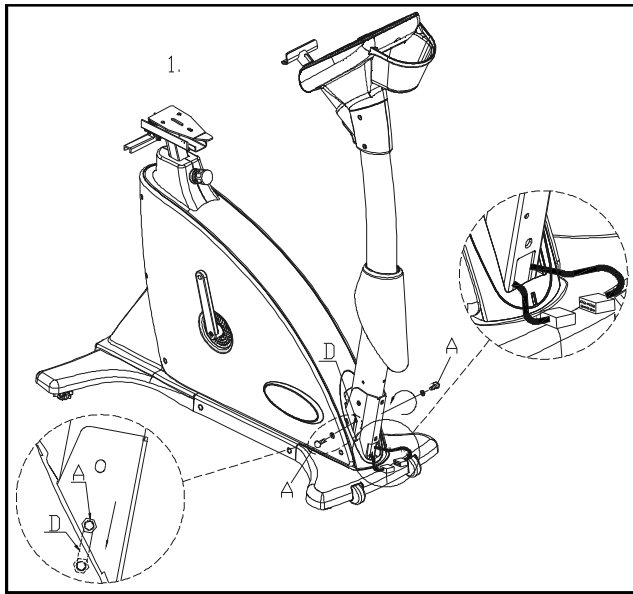


Fig.3

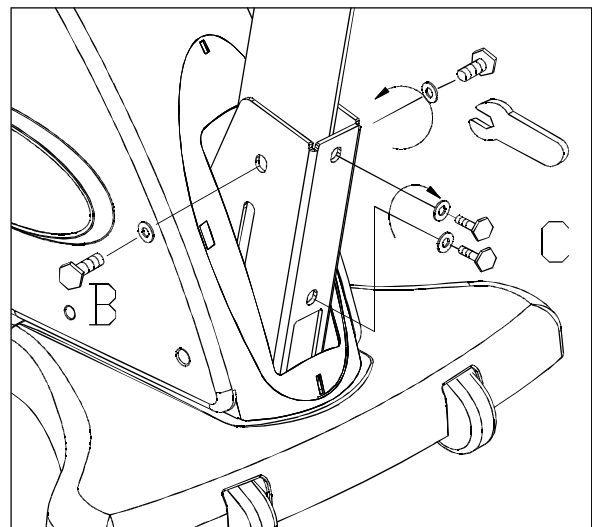


Fig.4

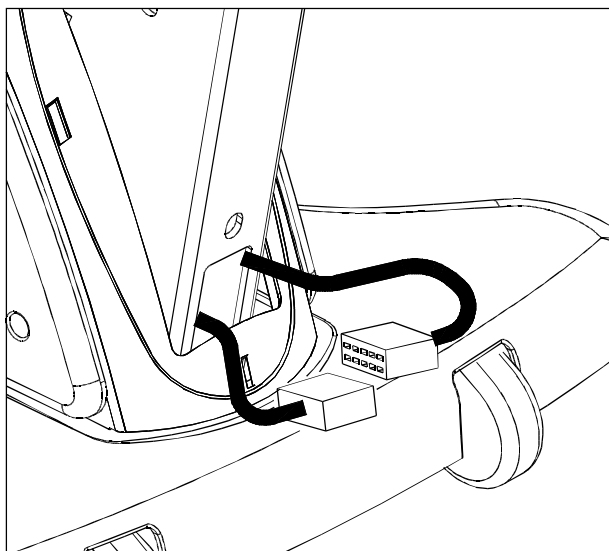


Fig.5

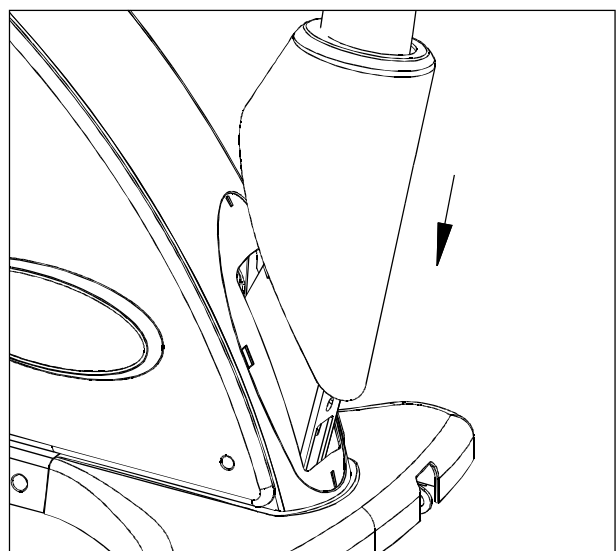


Fig.6

STEP 3. In this step, be careful not to pinch the hand touch read-out (HTR) wires. Hold the handlebars in place on the frame while securing the handlebar bolts. Connect HTR wires. Then secure the upper and lower handlebar mount covers. See Figures 7- 9.

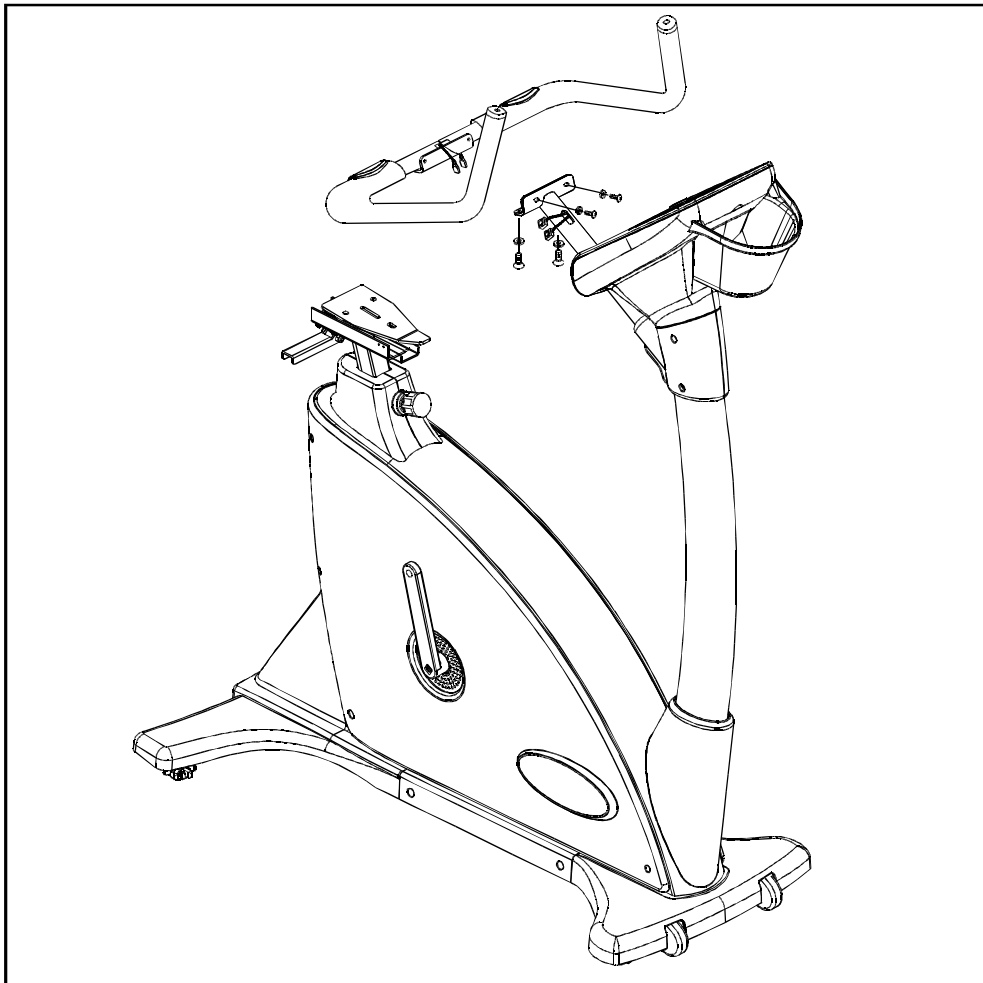


Fig.7

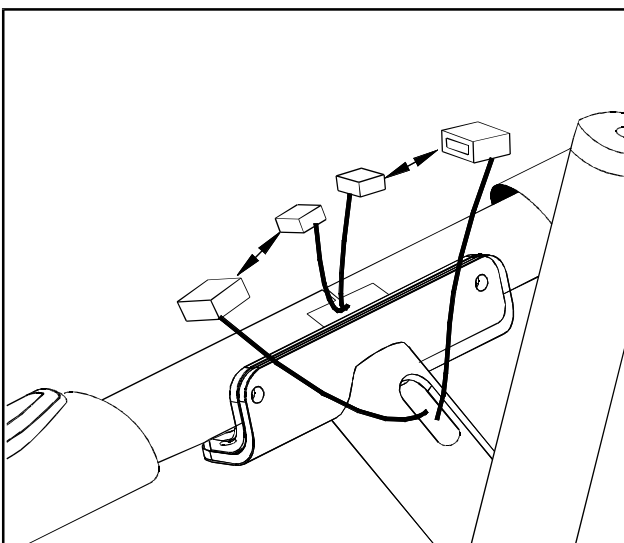


Fig.8

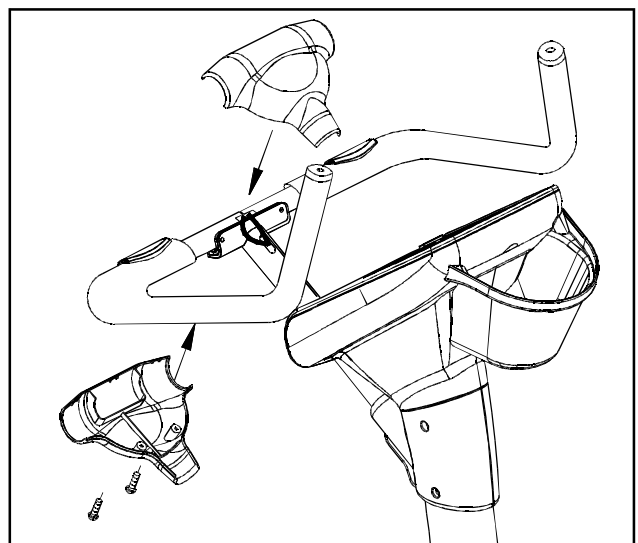


Fig.9

STEP 4. Be very careful in securing pedals to the pedal cranks. Otherwise, pedals and crank threads can easily become stripped and must be replaced. Note that left and right side designations refer to the user's left and right sides, as the person exercises on the bike. Put the pedal marked "R" on the right crank fitting. Turn the pedal stem clockwise by hand until you feel it smoothly thread into place. Then use the pedal wrench to secure the pedal firmly on the crank. Put the pedal marked "L" on the left crank. Turn the pedal stem counterclockwise by hand until you feel it smoothly thread into place. Then use the pedal wrench to secure it firmly in place on the crank. See Figure 10.

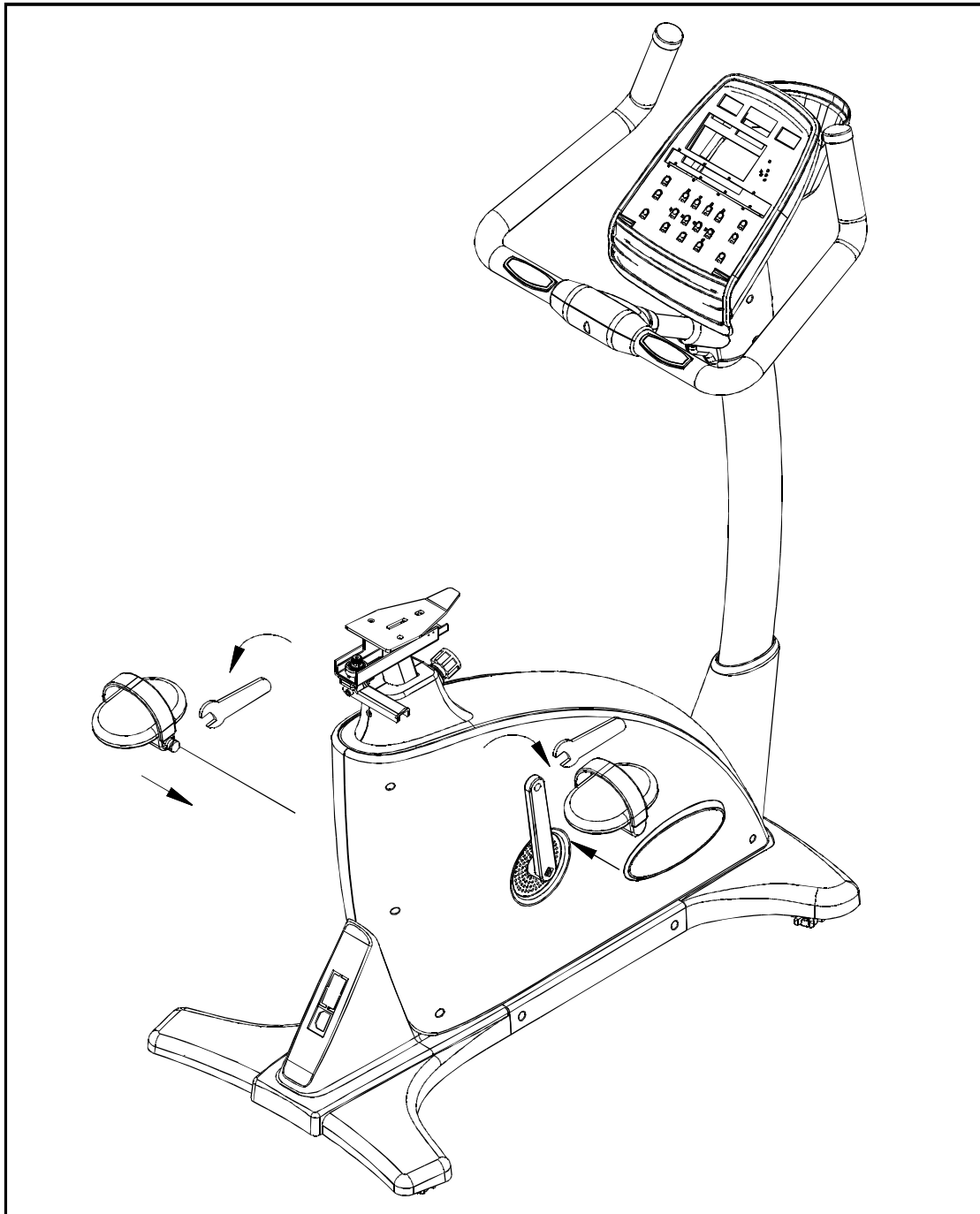


Fig.10

STEP 5. Secure the seat bottom into place. See Figure 11.

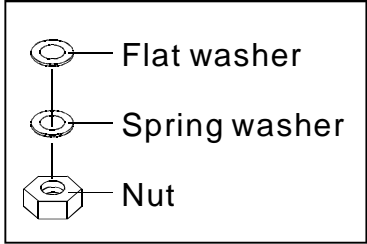


Fig. A

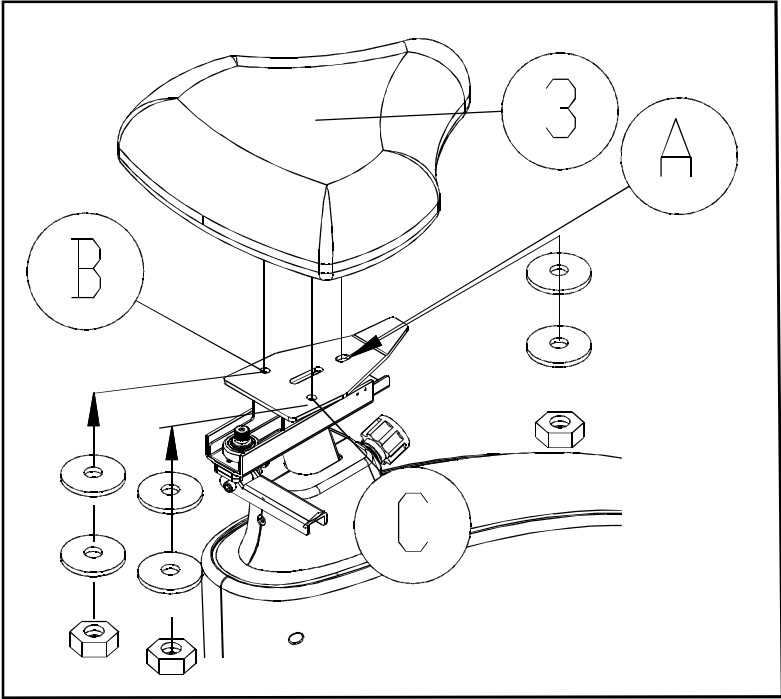


Fig.11

STEP 6. Level the bike as follows to ensure that it does not wobble. Rotate rubber leveler feet up or down as needed to stabilize the bike. Then rotate leveler nuts upward, against the frame, to secure this position. See Figure 12.

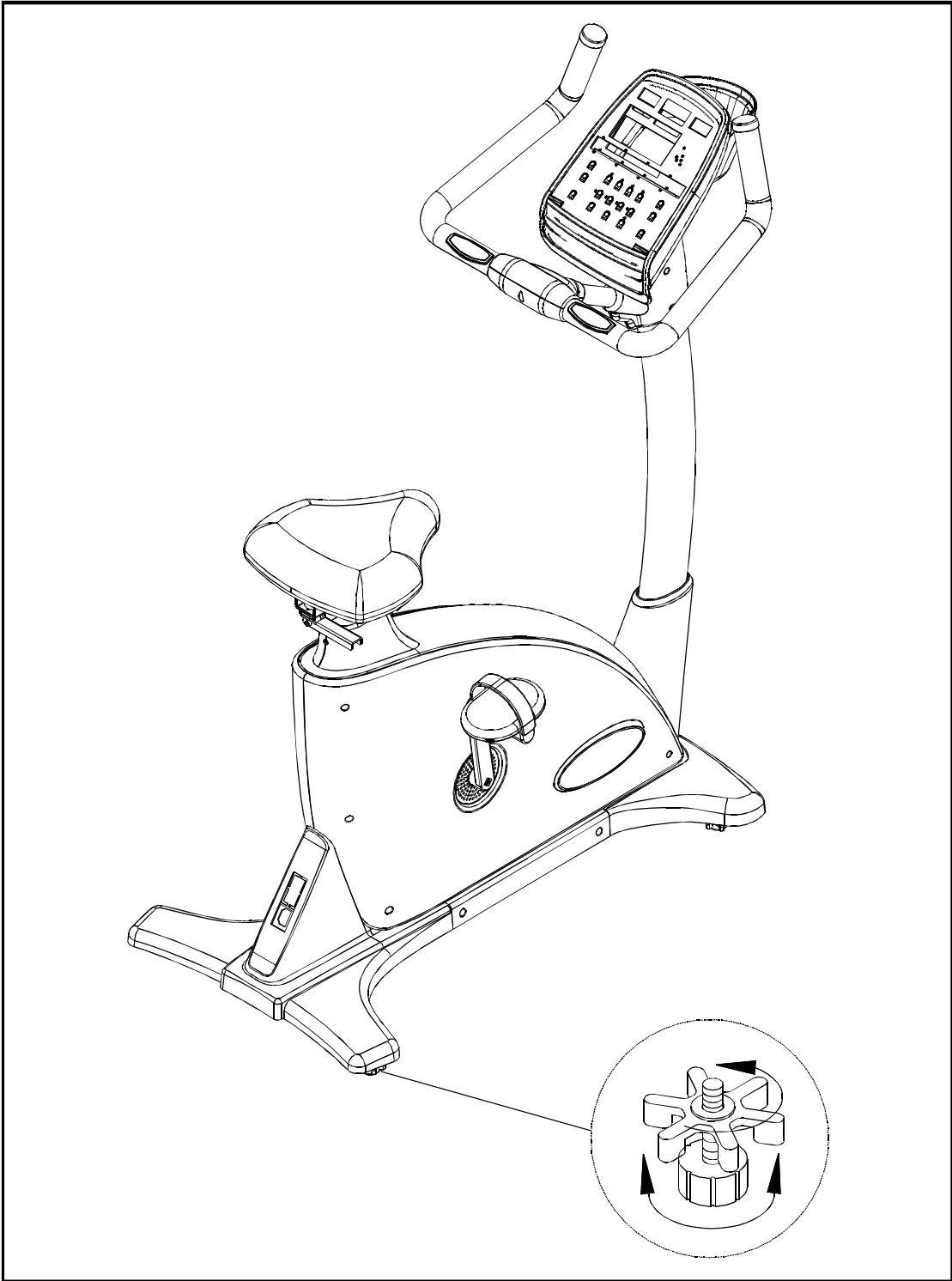


Fig.12

Seat Adjustment Procedure

To raise the seat height, turn the seat adjustment knob Ⓐ counterclockwise to loosen it, then pull the seat up. See Figure 13.

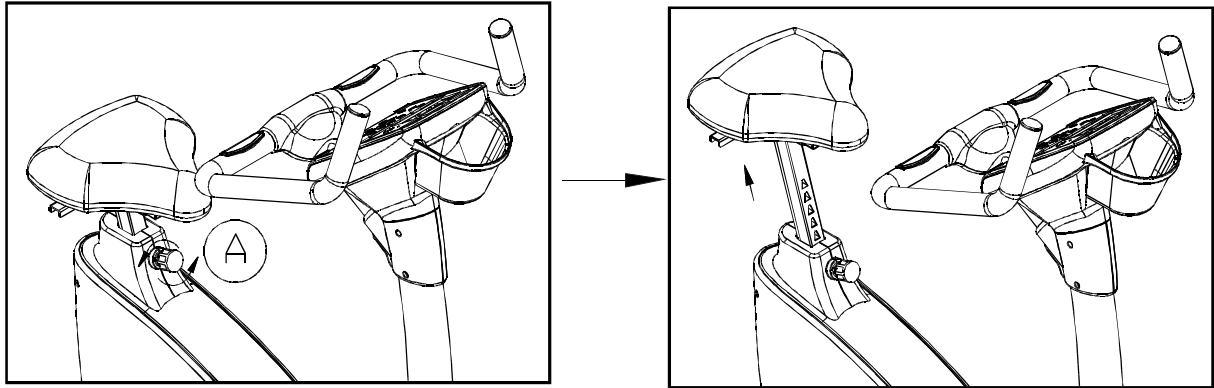


Fig.13

To lower the seat height, do the following:

1. Pull the seat adjustment knob Ⓐ out, toward the pedestal, then push the seat down.
2. Release the adjustment knob when the seat is at the proper position.
3. Turn the adjustment knob clockwise to secure it in place. See Figure 14.

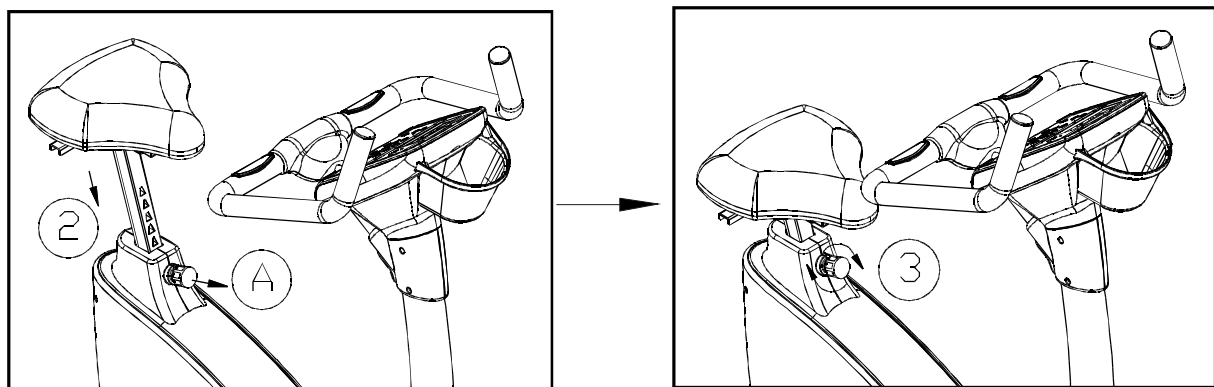


Fig.14

Seat Forward/Backward Adjustment

- 1. Push the seat adjustment lever downward as shown in Fig. 15.
- 2. Move the seat bottom forward or backward as desired. Then pull the seat adjustment lever upward to secure the seat in place. See Fig. 16.

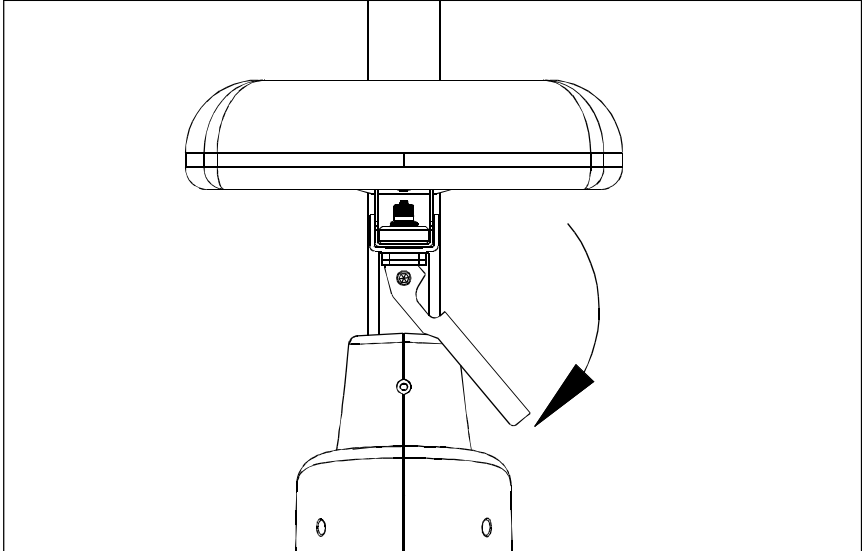


Fig.15

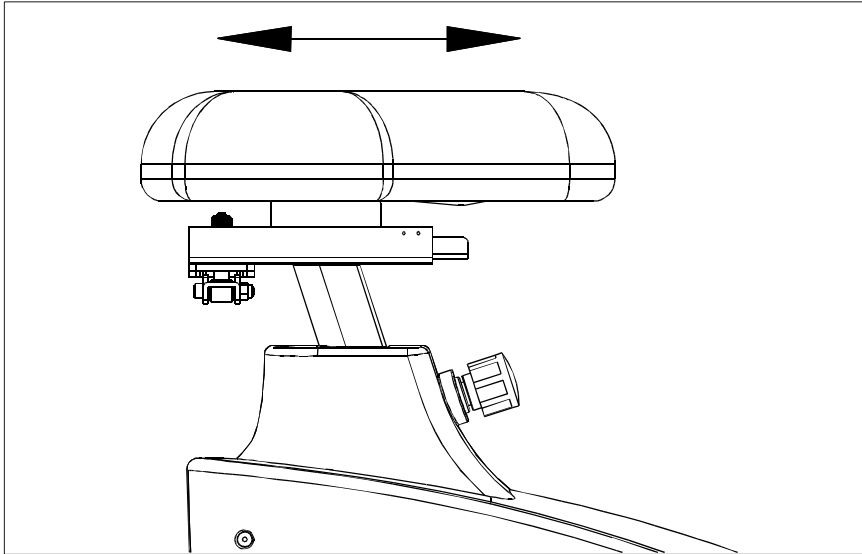
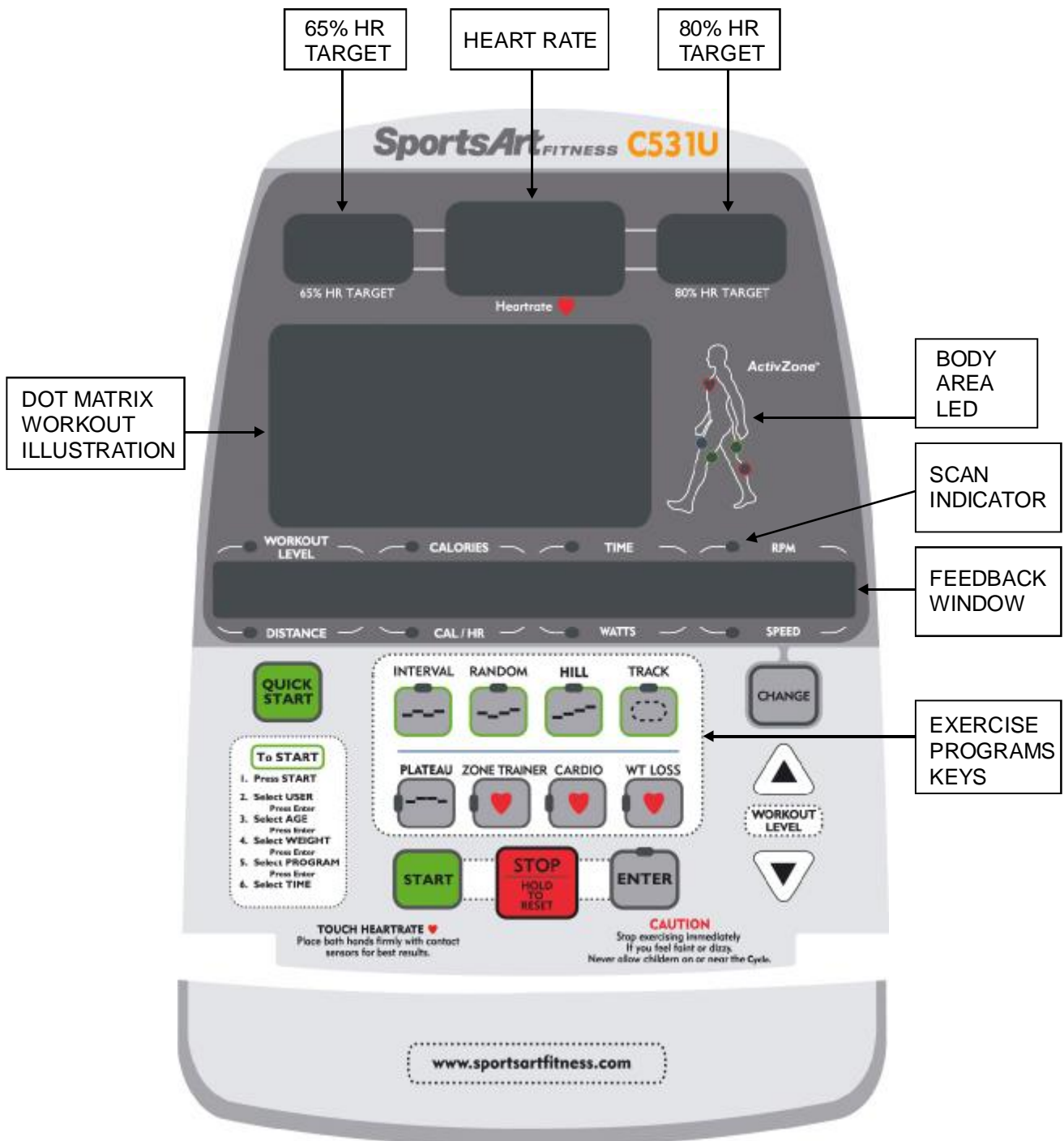


Fig.16

UNDERSTANDING THE C531U DISPLAY CONSOLE

Display Windows

The C531U is designed for user convenience. With better feedback about your workout, you get better results. The following explains the display key and window functions. Please read this manual, understand the display functions, and thereby get optimum enjoyment and benefit from this product.



Display Function Overview

- **Windows:**

- 65% HR TARGET — shows the optimum heart rate zone for weight loss.
- HEART RATE — shows actual heart rate.
- 80% HR TARGET — shows the optimum heart rate for cardio workout.
- WORKOUT ILLUSTRATION — shows workout profiles and workout prompts.
- FEEDBACK WINDOW — shows workout prompts and workout feedback.
- LEDs — light to indicate active programs, active feedback, scan mode, selection confirmation, and body areas being exercised.

- **Basic Functions:**

CHANGE — Press the CHANGE key while exercising to view different workout feedback. Active feedback indicators light up. Top row: WORKOUT LEVEL, CALORIES, TIME, RPM. Bottom row: DISTANCE, CAL/HR, WATTS, SPEED. In SCAN mode, a different row of feedback information is displayed every six seconds, and the scan indicator flashes every second. If not in SCAN mode, the indicator LEDs remain lit.

QUICK START — Press this key to start exercising without first entering user information. In QUICK START mode, time counts upward; values accumulate.

START — Press this key to start exercising after inputting user information.

EXERCISE PROGRAMS KEYS — When these indicators flash or during exercise, press an exercise program key to activate the related program. The related program indicator lights up.

ENTER — After making a selection, press this key to confirm your choice.

WORKOUT LEVEL (UP & DOWN) — Press these keys to adjust resistance level. Holding these keys makes resistance adjust up or down faster.

STOP/HOLD TO RESET

1. In an exercise program,

(A) If you entered an exercise program through QUICKSTART, press the STOP key to leave the program.

(B) If you entered an exercise program through START key, press the STOP key to select another program. PROGRAM indicators flash.

2. In any circumstance, hold the STOP key for three seconds to go back to the start up banner screen.

Display Setting Ranges

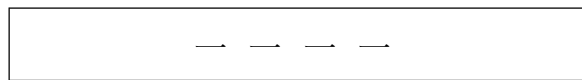
- WORKOUT LEVEL (resistance): 1 ~ 20
- TIME: 00~99 : 59; setting range: 5:00 ~ 99:00. (After 99:00, 0 appears)
- DISTANCE: 0.01-9999 Km/Mile
- CALORIES: 0~9999 K-CAL
- CAL/Hr (calories per hour): 0.0~999.9 K-CAL
- RPM (rotations per minute): 0~200 (countable)
- HEART RATE (range): 40-250
- WATTS: 0~9999
- SPEED: 0~55.9 Mile/H / 0~90 Km/H (1 Km=0.62137 Miles; 1 Mile= 1.60935 Km)
- PROGRAMS: TRACK, HILL, RANDOM, INTERVAL, WT LOSS, CARDIO, ZONE TRAINER.
- USER: Four user settings (including 11 alpha-numeric ID settings)
- AGE: 10~99
- WEIGHT: 30 ~ 150 Kg or 66 ~ 330 LB

Operating the C531U Bike

To start: Press the START key or press the QUICK START key, or simply start pedaling (over 30 RPM). The startup banner "SPORTSART-C531" appears.

1. QUICK START

- (A) At the startup banner, press the QUICK START key. Quick start mode uses the default assumption of a 35-year-old, 165-lb/75-Kg user to calculate calorie and other feedback values. Time counts upward. Resistance starts at level one and can be adjusted during exercise.
- (B) While exercising, press EXERCISE PROGRAM keys or ZONE TRAINER key to change exercise programs. Time counts upward. Resistance can be adjusted at any time.
- (C) When no one pedals on the bike, "PEDAL TO START" scrolls across the display every four seconds, after which the start up banner screen appears.
- (D) If no one pedals for 15 seconds, an energy saving mode is activated. It remains on until someone pedals over 30 RPM.
- (E) In energy saving mode, all LEDs extinguish except for the feedback window which shows the following:



- (F) If no one pedals for two minutes, the unit automatically shuts off.

2. START

Press START to take advantage of user age and weight in providing more accurate calorie counts and other information. This user information is saved in the unit's memory and the user's workout time, distance, and calorie expenditure accumulates.

- (A) The process to establish a user ID is as follows:

1. Selecting User ID

- While the start up banner appears, press the START key. The display shows the previously used USER ID and that user's accumulated workout record.
- Every six seconds, the display shows different information, as follows:



TIMES - 25:05

DISTS - 15.8

CALS - 1020

- Use any <▲> or <▼> key to choose a user ID. Then press ENTER to confirm your choice.

2. To set up a personalized user ID

- This function allows users to establish a user ID with up to 11 characters.
- When a USER ID appears, press the CHANGE key continuously for three seconds to change the USER ID. The following appears:

			E	N	T	E	R		N	A	M	E			
--	--	--	---	---	---	---	---	--	---	---	---	---	--	--	--

- Press <▲▼> keys to choose an alphabetical character. Then press the ENTER key to confirm your selection. Use the same process again to choose and confirm more characters. When the user name is complete, hold down the ENTER key for three seconds to complete the process.
- To revise or delete a USER NAME, choose the USER ID and hold down the CHANGE key for three seconds. To revise the ID, follow the steps above.
- To erase accumulated workout information, press STOP and START keys simultaneously. User accumulated workout time, RPMs, and distance will disappear.

(B) Age and Weight Settings

1. AGE setting range is 10 ~ 99. The default age is 35 years old.

- Press <▲▼> keys to select a user age. This user age becomes the basis for calculating target heart rate. 65% and 80% target heart rates represent recommended low and high heart rate targets.
- Press the ENTER key to confirm your choice and proceed to set the user weight.

2. WEIGHT setting range is 66 ~ 330 LB / 30 ~ 150 KG. The default weight setting is 165 LB / 75 KG.

- Press <▲/▼> keys to select a weight. User weight is the basis for the calorie expenditure calculation.
- Press the ENTER key to confirm your choice and proceed to select your exercise program.

(C) To select a workout program

1. Press the workout program key. The related PROGRAM indicator lights up. Then press the ENTER key to confirm your choice and proceed to the TIME setting.
2. When exercising, press the Zone Trainer key to enter the heart rate control (HRC) mode.

(D) Time setting

1. Press the <▲> or <▼> key to select an appropriate duration for your workout. Then press the ENTER key to confirm your choice.

(E) Changes during a workout

1. Resistance can be changed as you exercise. Time starts counting upward when you start pedaling. On the workout illustration, your present stage in the workout is represented by the flashing LED.
2. As you workout, you can activate another program. Time continues to accrue.
3. In USER mode, you can move from any workout program to another workout program while exercising. The accumulated values continue to accrue.
4. Please note: ZONE TRAINER has special rules which are described in the following section.

(F) Cool Down

When the workout time is reached, "ACCU DATA" appears. Accumulated data, including time/distance/calorie expenditure/average heart rate, appear. Then "COOL DOWN" appears as the unit enters a two-minute cool down period. When the unit counts down to "0:00", program indicators flash, and the "SELECT PROGRAM" prompt appears. Press the QUICK START key to immediately start exercising, or press START to reset user information.

PROGRAM functions

1. TRACK

The TRACK function represents a running track. One lap is 400 Meters = 1/4 Mile. The user can manually adjust resistance and stride.

2. HILL

The HILL program contains three hill patterns to choose from. A different pattern appears each time the <HILL> key is pressed: HILL-1, HILL-2, HILL-3.

3. RANDOM

The RANDOM program contains a random selection of workout patterns. A new pattern appears each time the <RANDOM> key is pressed.

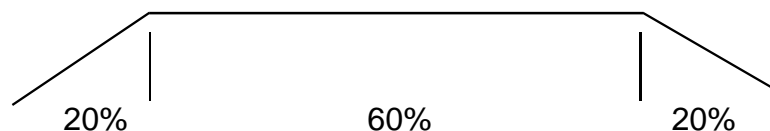
4. INTERVAL (1:1, 1:2)

The INTERVAL program is made up of two workout periods, a REST period and a WORK period. Each period contains a different resistance level. There are two REST to WORK ratios to choose from, either 1:1 or 1:2.

- (A) In the 1:2 ratio, the first digit, 1, represents a rest period of one minute; the second digit, 2, represents a work period of two minutes.
- (B) While exercising, a different INTERVAL pattern appears every time the < INTERVAL > key is pressed.
- (C) Because interval is a two-segment program, once in operation, changing the resistance of a REST or WORK segment carries that setting into the next REST or WORK segment. For instance, if you change a REST period resistance level and commit it to memory, the next REST period will have that same resistance setting. The same applies for WORK segments.

5. PLATEAU

- (A) In the PLATEAU exercise program, resistance changes as shown in the illustration below. The first and last segments of the workout each make up 20% of the workout time. The middle segment equals 60% of the workout time.



- (B) After entering this program, the exercise settings are carried over from the previous program. Time counts down. After reaching 0 in the countdown, the unit enters COOL DOWN mode.

6. WT LOSS & CARDIO

These two programs are heart rate control programs. By automatically adjusting resistance or speed, they keep the user's heart rate in a specific target range to accomplish certain exercise goals.

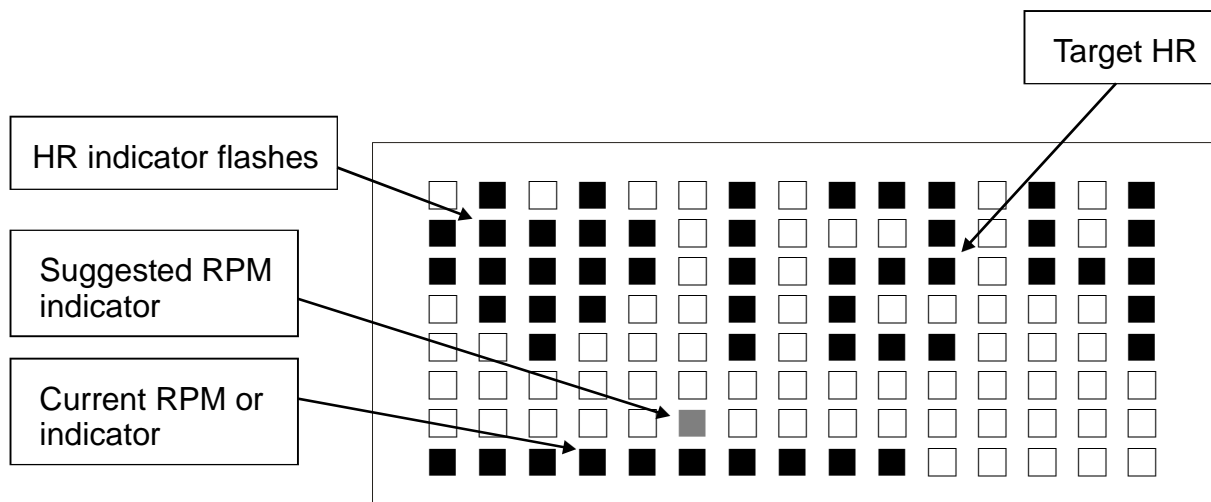
(A) Target heart rates are calculated as follows:

<1> WT LOSS maintains a heart rate at 65% of your maximum heart rate, for optimum weight loss. It is calculated as follows: $(220 - \text{AGE}) \times 65\%$.

<2> CARDIO maintains a heart rate of 80% of your maximum heart rate, for optimum cardio conditioning. It is calculated as follows: $(220 - \text{AGE}) \times 80\%$.

(B) At the start of the exercise or while exercising, if the user's heart rate is not detected, the message "NO HEART RATE READING, PLEASE CHECK TRANSMITTER" appears. At this time, while no heart rate is detected, resistance can only be adjusted manually.

(C) When heart rate control starts operating, a message like the one below appears.



(D) The default startup resistance level is LEVEL 1 and suggested default speed is 50 RPM. Actual heart rate is monitored and shown.

(E) When the workout time is reached, the unit enters COOL DOWN mode.

7. ZONE TRAINER

ZONE TRAINER allows you to select a heart rate and make it your target heart rate for any program. To make the current actual heart rate your target heart rate, press the ZONE TRAINER key at any time. The unit will automatically adjust resistance to keep you exercising at the specified target heart rate.

- (A) This program can only be entered through another program. It has no validity if you are not first in another program.
- (B) Other aspects of ZONE TRAINER are similar to WT LOSS and CARDIO programs. However, ZONE TRAINER acts according to the previous program's time setting. When the workout time has been attained, the unit enters COOL DOWN mode.

Internal Settings

Internal settings determine basic operating conditions, for example, units of measure. To access internal settings, at the startup banner 『 SPORTSART-C531 』, press and hold the CHANGE key for three seconds.

1. Follow the steps below to change internal settings.

- (A) Determining Metric/American standard units of measure:

The feedback windows show the present setting.

American standard

			U	N	I	T	-		L	B				
--	--	--	---	---	---	---	---	--	---	---	--	--	--	--

Metric standard

			U	N	I	T	-		K	G				
--	--	--	---	---	---	---	---	--	---	---	--	--	--	--

Press <▲/▼> keys to toggle from one setting to another. When your preferred unit of measurement appears press the ENTER key to confirm your choice and proceed to the next setting.

- (B) The total time of use appears in the feedback window. Press the ENTER key to proceed to the next internal setting.

T	I	M	E	-	X	X	X	X	X	X	H	O	U	R	
---	---	---	---	---	---	---	---	---	---	---	---	---	---	---	--

- (C) The total distance ridden appears in the feedback window. Press the ENTER key to proceed to the next internal setting.

D	I	S	T	-	X	X	X	X	X	X	X	X	K	M	
---	---	---	---	---	---	---	---	---	---	---	---	---	---	---	--

- (D) The following prompt appears:

P	R	E	S	S	U	P	/	D	N	T	O	A	C	T	I	V	A	T	E	O	R	D	E	A	C	T	I	V	A	T	E	4	U	S	E	R	S	E	T	T	I	N	G
---	---	---	---	---	---	---	---	---	---	---	---	---	---	---	---	---	---	---	---	---	---	---	---	---	---	---	---	---	---	---	---	---	---	---	---	---	---	---	---	---	---	---	---

Press the ▲/▼ keys as directed. The display toggles between two views.

To enable USER IDs, toggle to the following:

		U	S	E	R	-	I	D		-		O	N		
--	--	---	---	---	---	---	---	---	--	---	--	---	---	--	--

To disable USER IDs, toggle to the following:

	U	S	E	R	-	I	D		-		O	F	F		
--	---	---	---	---	---	---	---	--	---	--	---	---	---	--	--

Press the ENTER key to confirm your choice and proceed to the next step.

(E) The display shows the display main program IC version as follows:

XXXXX _ XX

Example: C531H - 1A

- Press the ENTER key to confirm settings and proceed to the start up banner.
- If the ENTER key is not pressed in six seconds, the FEEDBACK window shows the following prompt:

		P	R	E	S	S			E	N	T	E	R		
--	--	---	---	---	---	---	--	--	---	---	---	---	---	--	--

USER PARAMETER SETTING

To check system default settings, at initial setting stage (select PROGRAM or QUICK START), hold the CHANGE key for 3 seconds:

1. Unit of Speed (MPH or KPH): press ▲/▼ keys to change the setting. Press ENTER key to confirm your choice and to see the next setting. You may also press STOP key to leave this setting.
2. The next setting, "DIST", shows the total accumulated distance. The unit of distance is either in Miles or Kilometers, depending on the speed setting selected previously. Press ENTER key to confirm your choice and to see the next setting. You may also press STOP key to leave this setting.
3. TIME: this value shows the total accumulated workout time. The unit of TIME is in Hours. Press ENTER key to see the next setting or press STOP key to leave this setting. This setting cannot be changed.
4. The next value shows you the Control Board version. Press ENTER key to see the next value or press STOP key to leave this setting.

MAINTAINING THE C531U BIKE

The Sports Art C531U requires little maintenance but regular cleaning is recommended to keep your bike at peak performance. Before your workout, use a dry cloth to clean the surface of the display.

NOTE: NEVER POUR LIQUIDS ON THE DISPLAY.

To clean plastic parts, use a mild detergent, and make sure the unit is completely dry before operating it.

It is recommended that you keep all liquids away from the unit during operation. Spillage of liquids onto or into the machine will void the warranty.

GUIDELINES FOR EXERCISE

How long should I exercise?

The duration of your exercise session is dependent on your fitness level. In general, it is recommended that you maintain your heart rate in the training zone for at least ten minutes to realize an aerobic benefit. As your fitness level increases, you will be able to maintain your heart rate in the training zone for longer periods: usually between 20 and 30 minutes.

When starting your workout, use the first several minutes to warm up, then slowly increase your workload to bring your heart rate into your specific training zone. At the end of your workout, gradually decrease your workload and exercise lightly as a "cool down".

How often should I exercise?

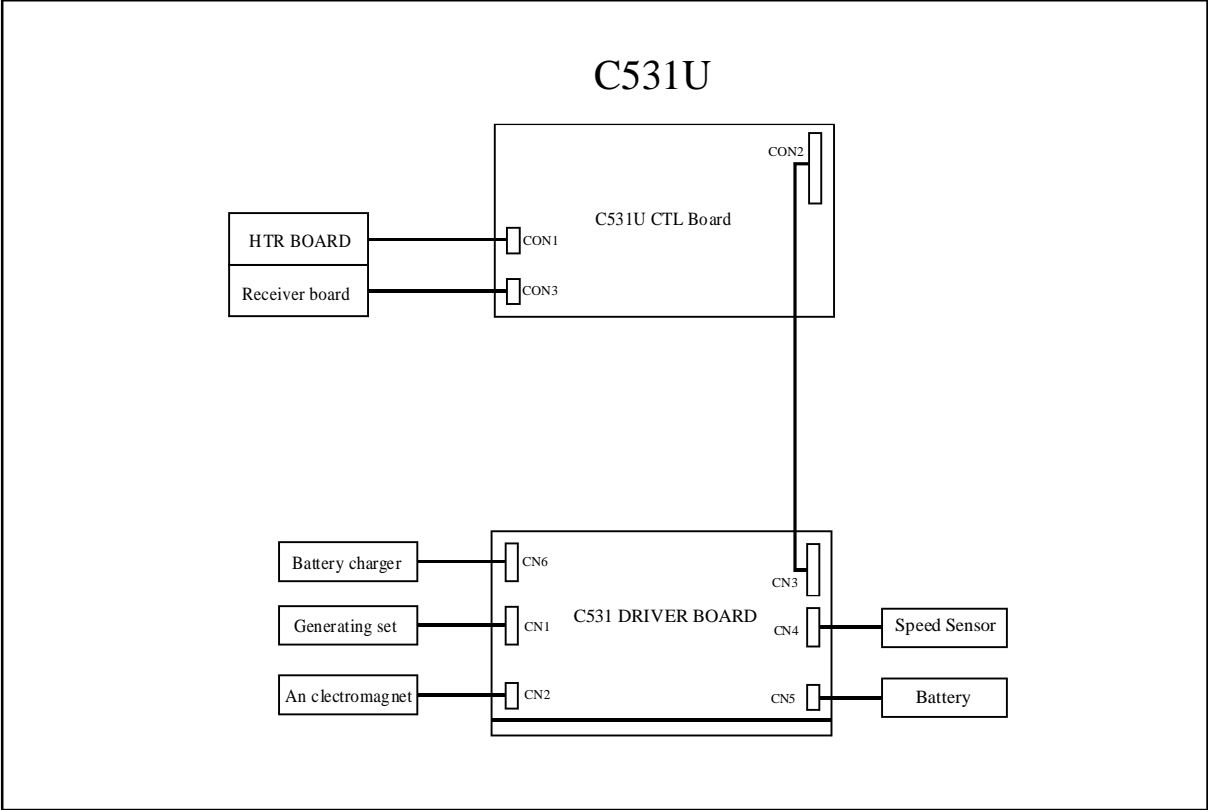
To achieve the greatest benefits, aerobic exercises should be performed three to five times per week. It is important to allow sufficient time, at least 24 hours, for your body to recover after exercise.

TROUBLESHOOTING

Error Messages

There are no error messages on this bike.

WIRING SCHEMATIC



Your Authorized SPORTS ART Distributor