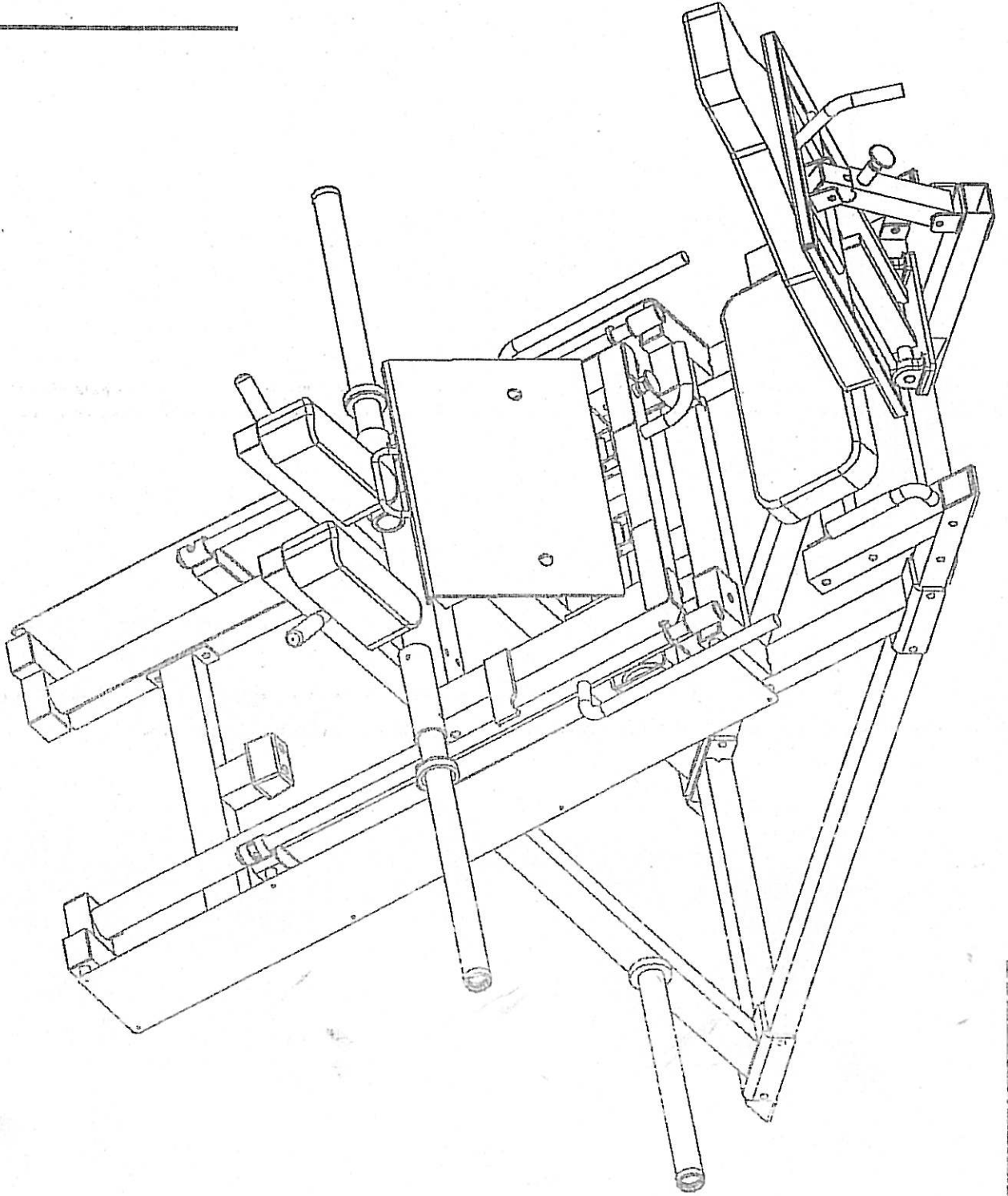
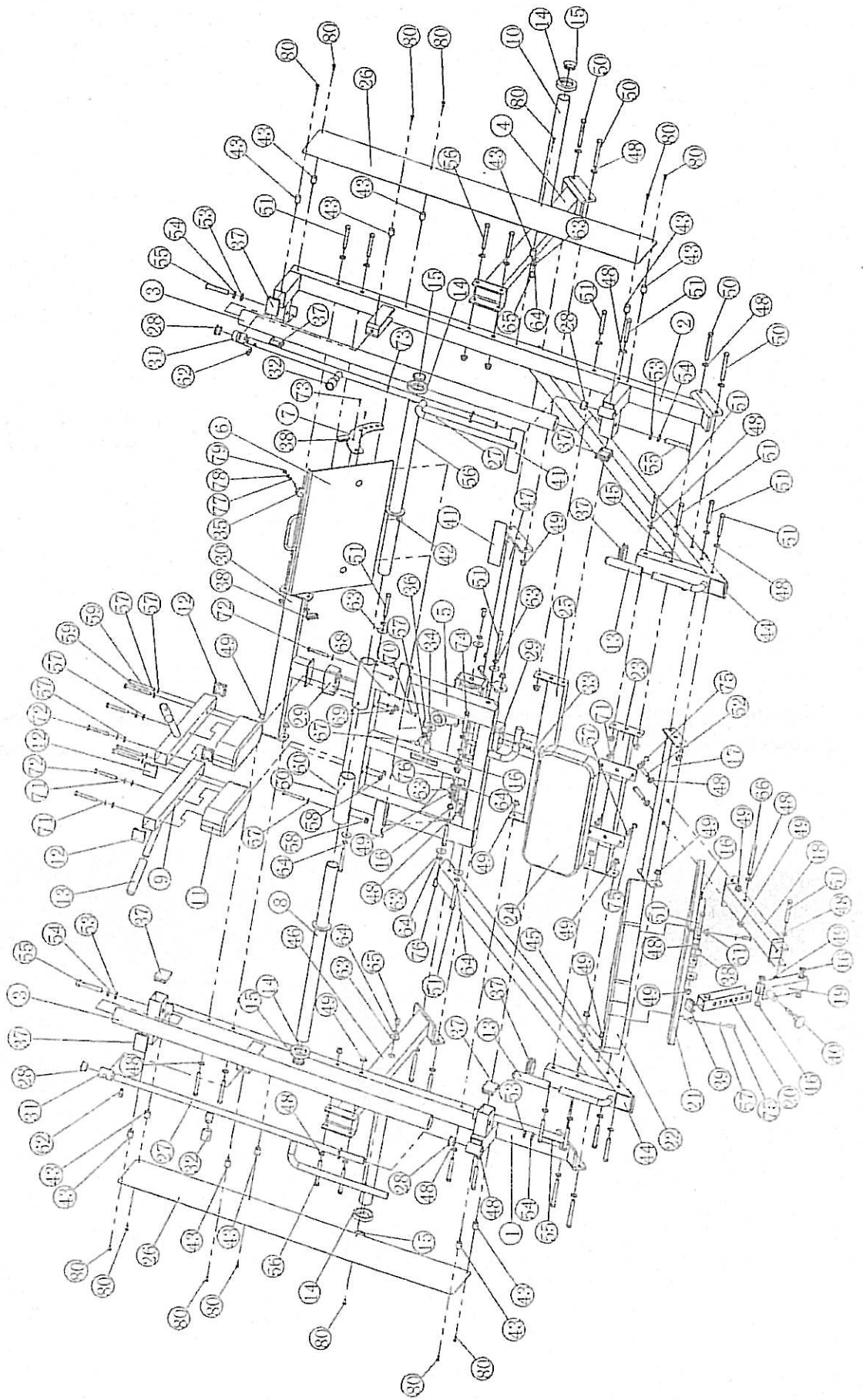


BP132 LEG PRESS/SQUAT

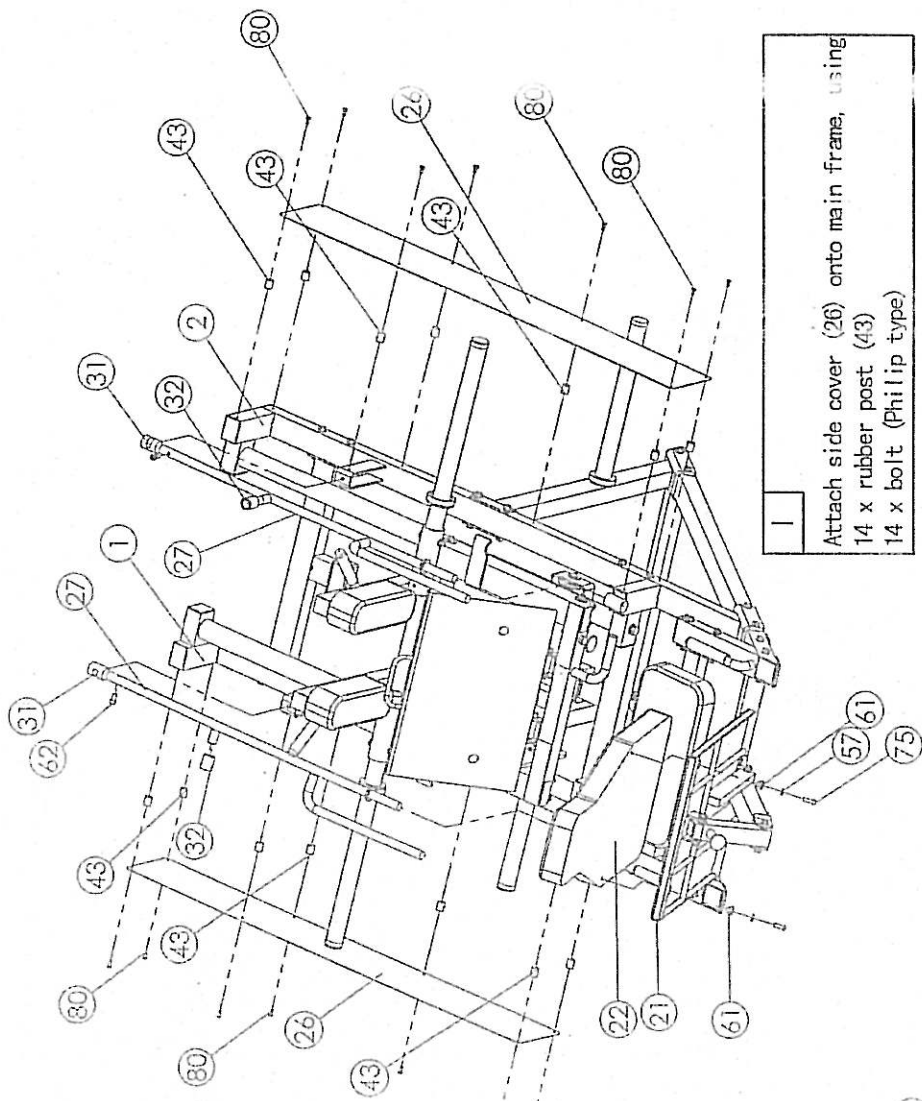
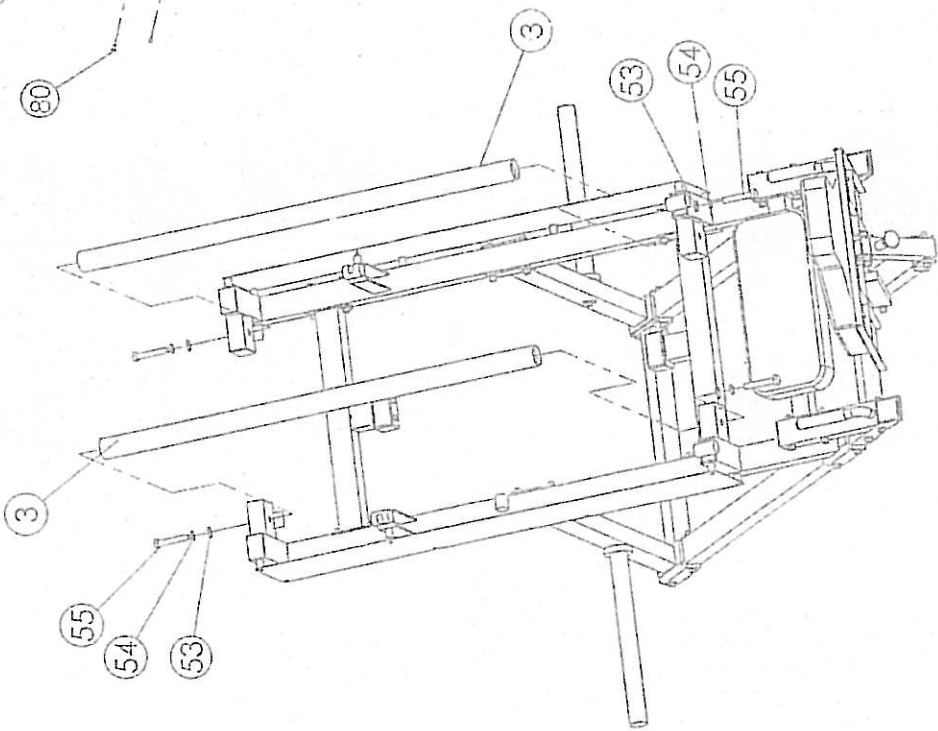


BP132 LEG PRESS/SQUAT



j

place guide rod (3) onto main frame assembly, using
 4 x M16x85 bolt (55)
 4 x M16 spring washer (54)
 4 x M16 flat washer (53)
 followed by placing the weight carriage assembly to
 guide rod, securing it by using
 2 x nylon roller
 2 x M12x30 dome type hex bolt (76)
 2 x M12 spring washer (64)
 2 x M12 flat washer (63)

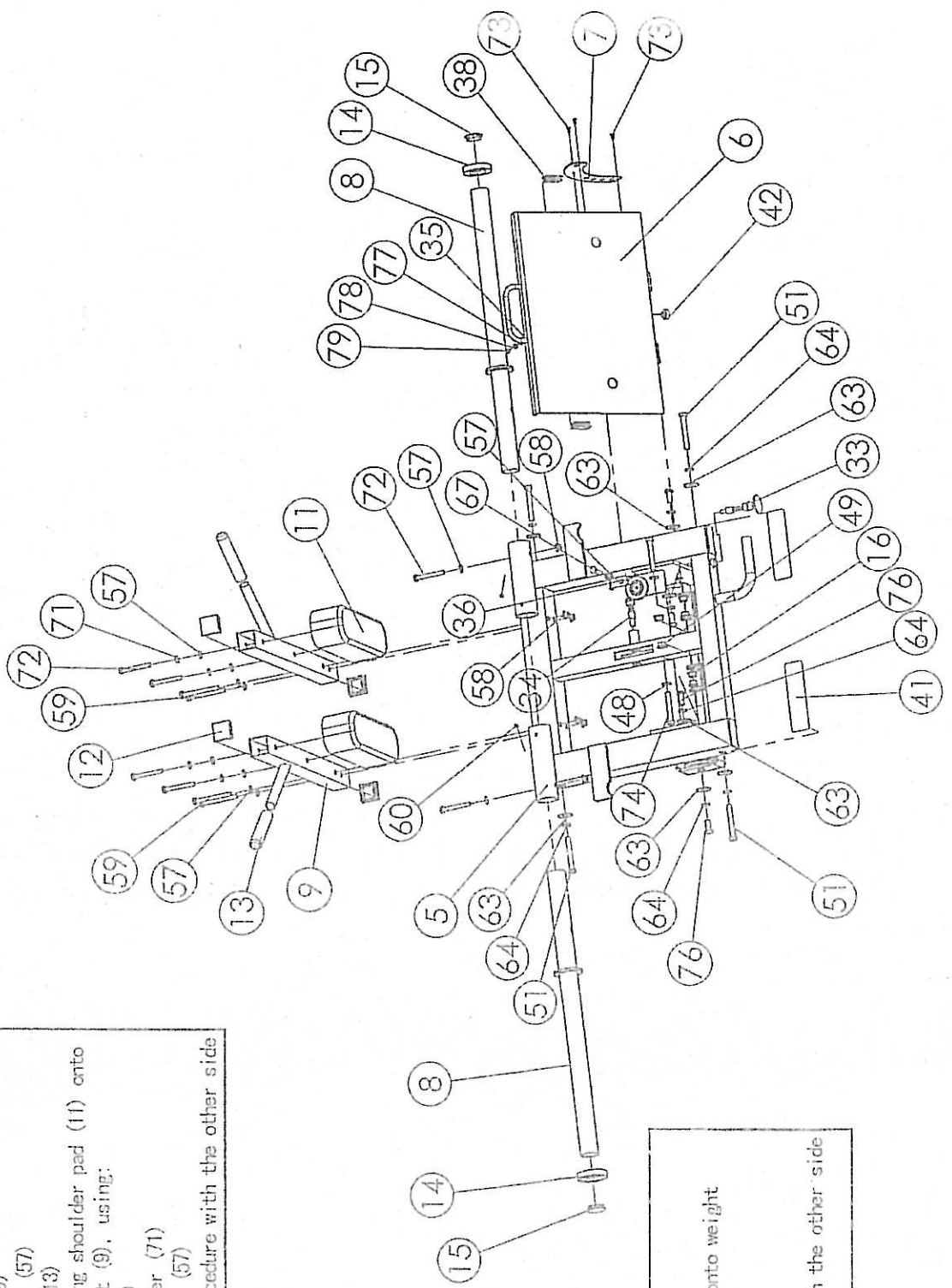


l
 Attach side cover (26) onto main frame, using
 14 x rubber post (43)
 14 x bolt (Phillip type)

k

attach safety limiter (27) onto main frame
 assembly, using
 1 x safety limiter sleeve (31)
 1 x column head hex bolt (62)
 1 x bronz bushing (28)
 repeat the same procedure with the other side

h
 Attach shoulder pad support (9) onto weight carriage assembly, using
 2 x M10x140 bolt (59)
 2 x M10 flat washer (57)
 1 x handle sleeve (13)
 followed by attaching shoulder pad (11) onto shoulder pad support (9), using:
 2 x M10x75 bolt (72)
 2 x M10 spring washer (71)
 2 x M10 flat washer (57)
 repeat the same procedure with the other side



i
 place weight plate horn (8), onto weight carriage assembly, using
 1 x M10x75 bolt (75)
 1 x M10 flat washer (57)
 repeat the same procedure with the other side

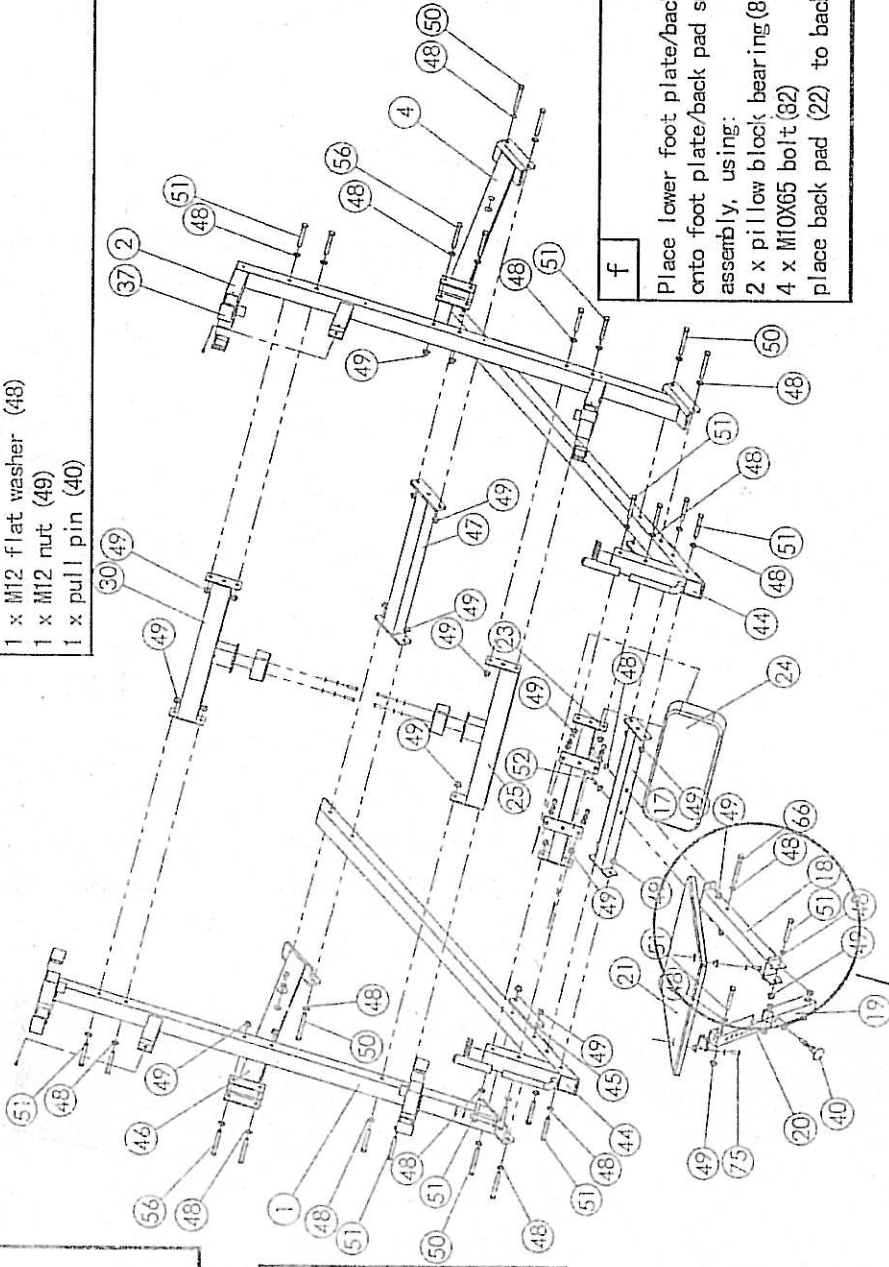
a
 Attach rear upright column (46) to main frame (right) (1), using
 2 x M12x100 bolt (56)
 2 x M12 flat washer (48)
 2 x M12 nut (49)
 repeat the same procedure with the other side

b
 Attach the above assembly (1-a) onto main base frame (right) (14), using:
 1 x assembly bracket (45)
 2 x M12x105 bolt (50)
 2 x M12 flat washer (48)
 2 x M12 nut (49)
 repeat the same procedure with the other side

c
 Assemble both assembly together, using:
 1 x cross beam (front base) (17)
 1 x cross beam (rear base) (47)
 1 x cross beam (front middle) (25)
 1 x cross beam (rear top) (30)
 12 x M12x90 bolt (51)
 4 x M12x105 bolt (50)
 16 x M12 flat washer (48)
 14 x M12 nut (49)

d
 Attach foot plate/back pad support base onto cross beam (front base) (17), using
 2 x M12x70 bolt (52)
 2 x M12 flat washer (48)
 2 x M12 nut (49)

e
 Attach foot plate/back pad upright support - receptacle (19), and adjustment (20) onto foot plate/back pad support base, using
 1 x M12x90 bolt (51)
 1 x M12 flat washer (48)
 1 x M12 nut (49)
 1 x pull pin (40)



f
 Place lower foot plate/back pad support (21) onto foot plate/back pad support base assembly, using:
 2 x pillow block bearing (81)
 4 x M10x65 bolt (32)
 place back pad (22) to back pad support (21)

g
 Attach seat pad support (23) onto main frame assembly, using
 4 x M12x90 bolt (51)
 4 x M12 flat washer (48)
 4 x M12 nut (49)
 followed by attaching seat pad (24) onto seat pad support (23), using
 4 x M10x30 dome type hex bolt (75)
 4 x M10 spring washer (71)
 4 x M10 flat washer (57)

Item	Description	Specification	Q'ty
1	main frame (right)		1
2	main frame (left)		1
3	guide rod		2
4	rear upright column (left)		1
5	moving weight carriage assembly		1
6	foot plate		1
7	adjustment plate (chromed)	Φ365*Φ265	1
8	weight plate horn		2
9	shoulder pad support		2
10	weight plate storage horn		2
11	shoulder pad		2
12	end cap	□50*2.5	4
13	handle sleeve	Φ30.5*Φ24.5	4
14	rubber cushion	Φ78*Φ48	4
15	end cap	Φ48*2.5	4
16	bronze bushing	Φ25*Φ12.2*Φ18	12
17	cross beam (base)		1
18	foot plate/back pad support base		1
19	lower plate upright support - receptical		1
20	lower plate upright support - adjustment		1
21	lower foot plate/back pad support		1
22	back pad		1
23	seat pad support		1
24	seat pad		1
25	cross beam (front middle)		1
26	side cover	1412.6*211*1.5	2
27	safety limiter		2
28	bronze bushing	Φ38*Φ25.4*Φ32	4
29	rubber cushion	100*60*50	2
30	cross beam (main frame top)		1
31	safety limiter sleeve		2
32	rubber sleeve	Φ34*Φ24.5*40	2
33	pullpin		1
34	pullpin		1
35	rubber cushion	Φ38*Φ33	1
36	cable guiding plate	δ=3	1
37	end cap	□50*70	8
38	end cap	□50*2.5	4
39	end cap	□44.5*2.5	1
40	pull pin		1
41	rubber plate	50*190*3	2
42	rubber cushion	Φ25*Φ12*Φ13.5	1
43	rubber post		14

44	base frame		2
45	assembly bracket	50*178*10	2
46	rear upright column (right)		1
47	rear cross beam (back)		1
48	flat washer	12	35
49	frange nut	M12	33
50	bolt	M12 x 105	8
51	bolt	M12 x 90	22
52	bolt	M12 x 70	2
53	flat washer	16	4
54	spring washer	16	4
55	bolt	M16 x85	4
56	bolt	M12 x 100	4
57	flat washer	10	17
58	frange nut	M10	6
59	bolt	M10 x 140	4
60	set screw	M8 x 6	4
61	nut	Φ25*Φ10.5*Φ15	2
62	column head hex bolt	M10 x 20	2
63	flat washer (big)	12	10
64	spring washer	12	10
65	dome type bolt	M12 x 20	2
66	bolt	M12 x 155	1
67	bolt	M10 x 30	1
68	flat washer	8	4
69	spring washer	8	4
70	dome type hex bolt	M8 x 35	4
71	spring washer	10	8
72	bolt	M10 x 75	6
73	sink head hex bolt	M5 x 12	3
74	bolt	M12 x 85	2
75	dome type hex bolt	M10 x 30	6
76	dome type hex bolt	M12 x 30	4
77	flat washer	6	1
78	spring washer	6	1
79	bolt (philip type)	M6 x 12	1
80	bolt (philip type)	M6 x 16	14
81	pillow block bearing		2
82	bolt	M10 x 65	4