

Assembly Instructions



Nautilus

Revision B

NT-1810
Smith Attachment

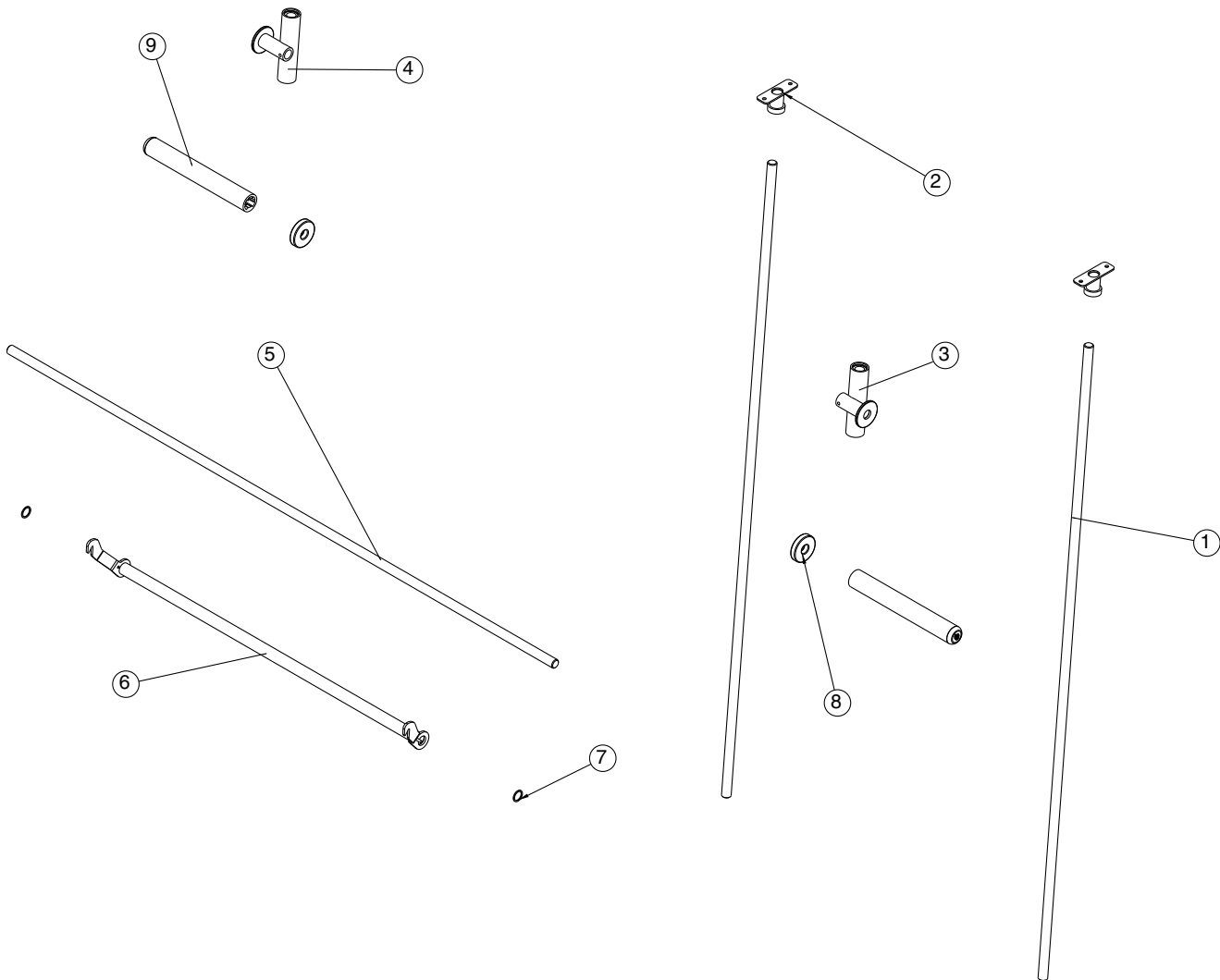
Complete Components List

Qty. Part #

- 1 Smith Guide Rod
- 2 Smith Guide Rod Holder
- 3 Left Smith Slider Assembly
- 4 Right Smith Slider Assembly
- 5 Smith Bar
- 6 Smith Catch Assembly
- 7 Bronze Bushing
- 8 Rubber Bumper
- 9 International Smith Adapter

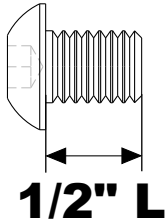
Hardware And Tools

- 9 Button Head Cap Screw - 3/8" x .5"L
- 10 Set Screw - 3/8" x .625"L (Pre-Installed)
- 11 Set Screw - 5/16" x .5"L (Pre-Installed)
- 12 **Set Screw - 5/16" x .25"L** ?????
- 13 3/8" Washer
- 14 3/16" Allen Wrench

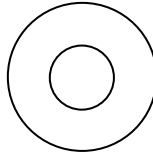


Hardware Size Chart

#9
Qty: 4



#13
Qty: 4

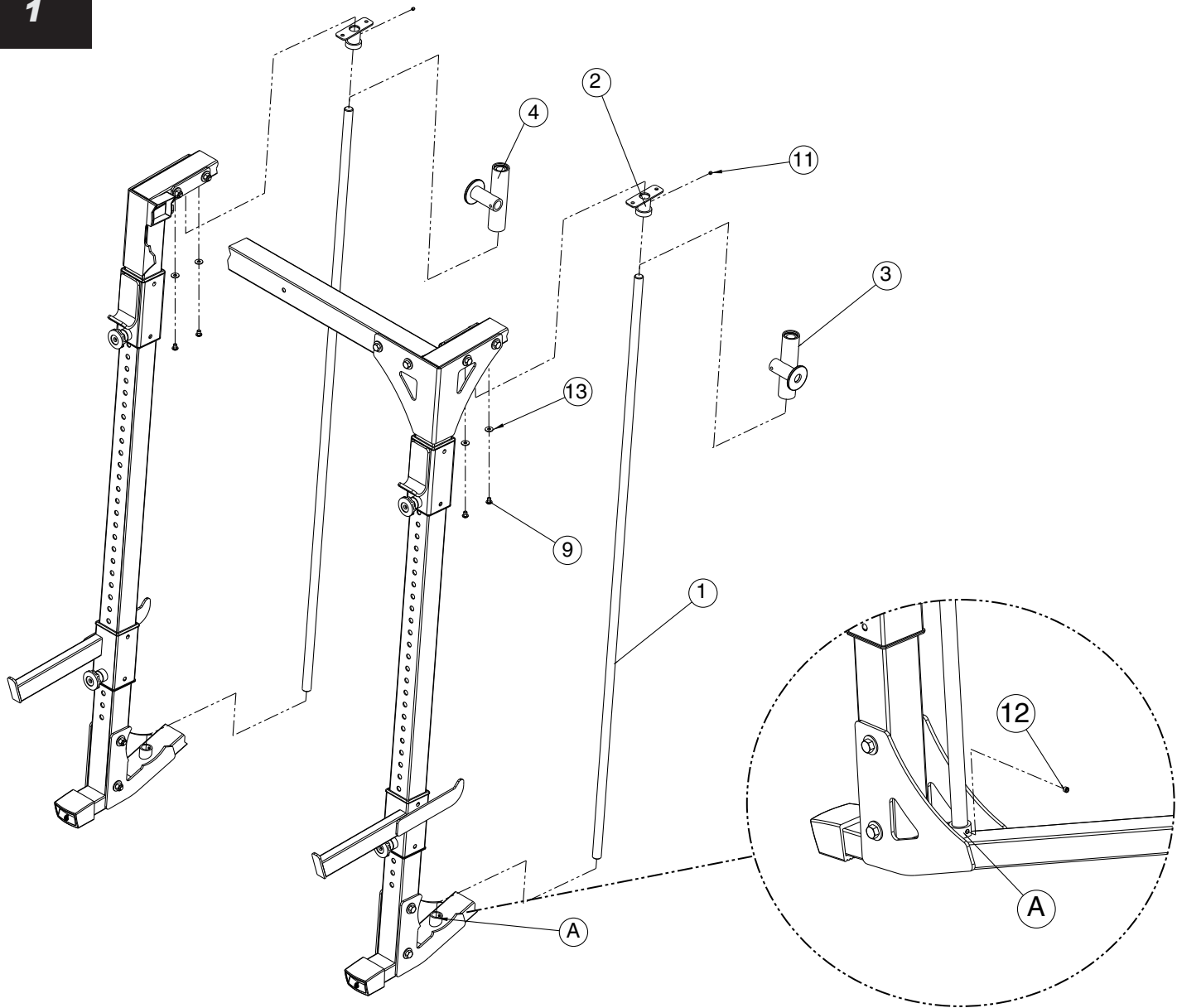


Required Tools:

- 3/16" (Included with Smith), and 5/32" Allen Wrench (Included with Cage)

- A. Compare the Bill of Materials to the box contents to insure that all parts are present before installation begins. **NOTE: Some hardware may be pre-installed.**
- B. Unpackage parts and place them near the final assembled location to avoid moving the gym when fully assembled.

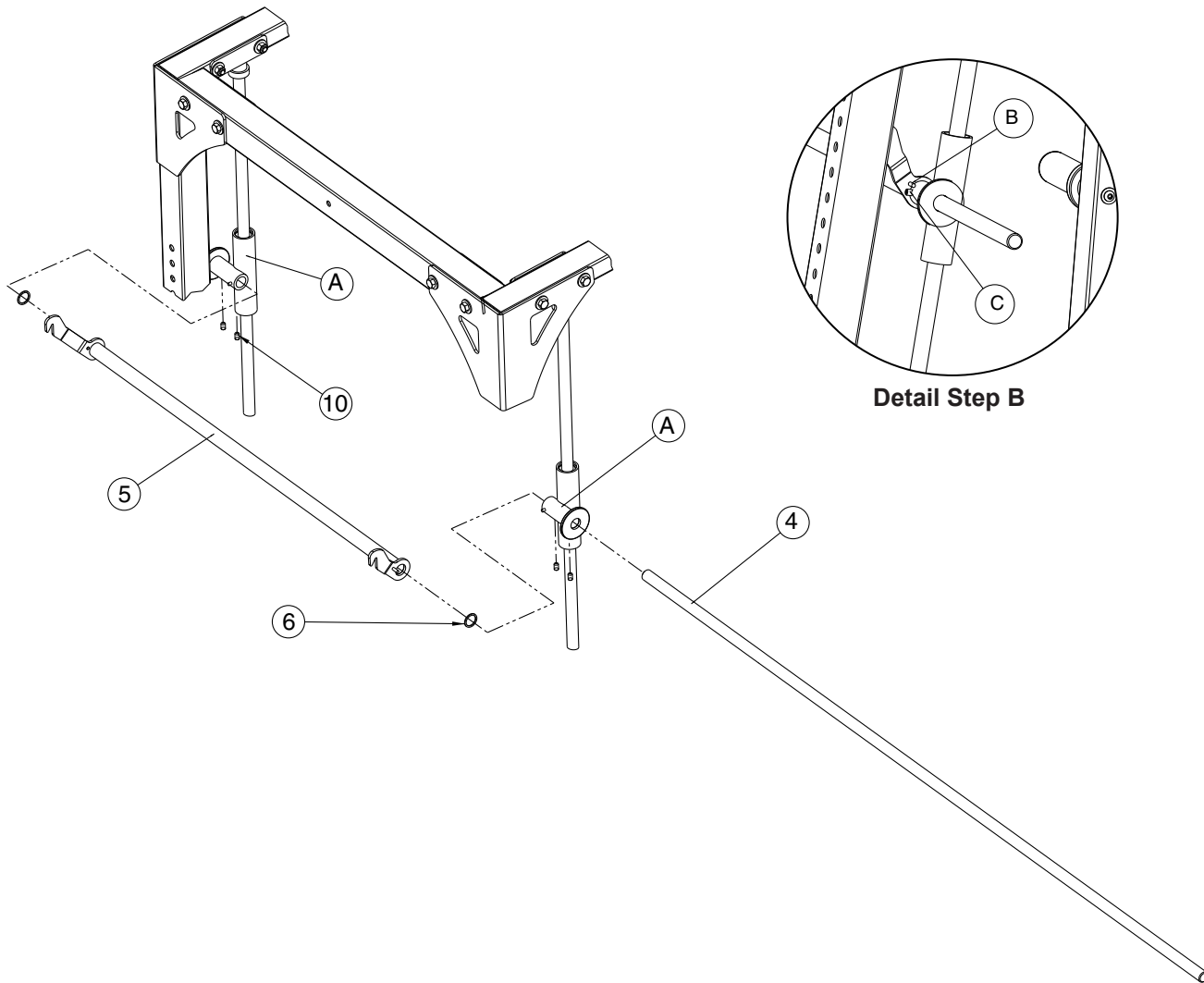
**step
1**



Step #1 Materials:

#	Description	Qty.
<input type="checkbox"/> 1	Smith Guide Rod	2
<input type="checkbox"/> 2	Smith Guide Rod Holder	2
<input type="checkbox"/> 3	Left Smith Slider Assembly	1
<input type="checkbox"/> 4	Right Smith Slider Assembly	1
<input type="checkbox"/> 9	Cap Head Screw - 3/8" x .5"L	4
<input type="checkbox"/> 11	Set Screw - 5/16" x .5"L	2
<input type="checkbox"/> 12	Set Screw - 5/16" x .25"L	2
<input type="checkbox"/> 13	3/8" Washer	4

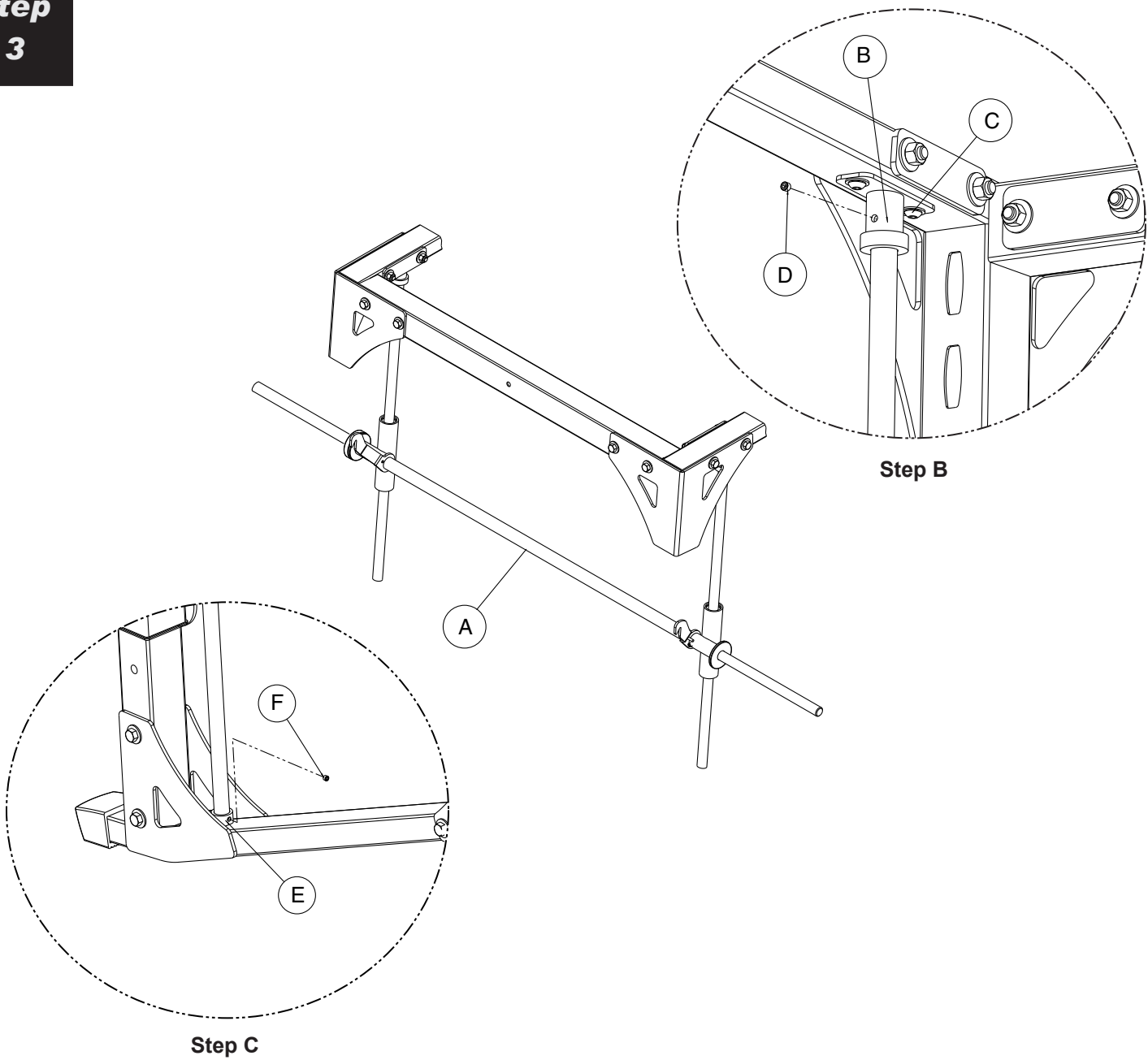
- A.** Slide the LEFT SMITH SLIDER ASSEMBLY (3) onto a SMITH GUIDE ROD (1) in the orientation shown. Place the SMITH GUIDE ROD (1) in the Left Lower Guide Rod Holder (A).
- B.** Place a SMITH GUIDE ROD HOLDER (2) on top of the SMITH GUIDE ROD (1) with the hole for the set screw in the SMITH GUIDE ROD HOLDER (2) to the rear of the machine. Attach the SMITH GUIDE ROD HOLDER (2) to the cage using the hardware shown, and loosley tighten.
- C.** If there is not a SET SCREW (12) already pre-installed in the Left Lower Guide Rod Holder (A), loosely thread one in place
- D.** Repeat Steps A - C for the remaining SMITH GUIDE ROD (1) and the RIGHT SMITH SLIDER ASSEMBLY (4).



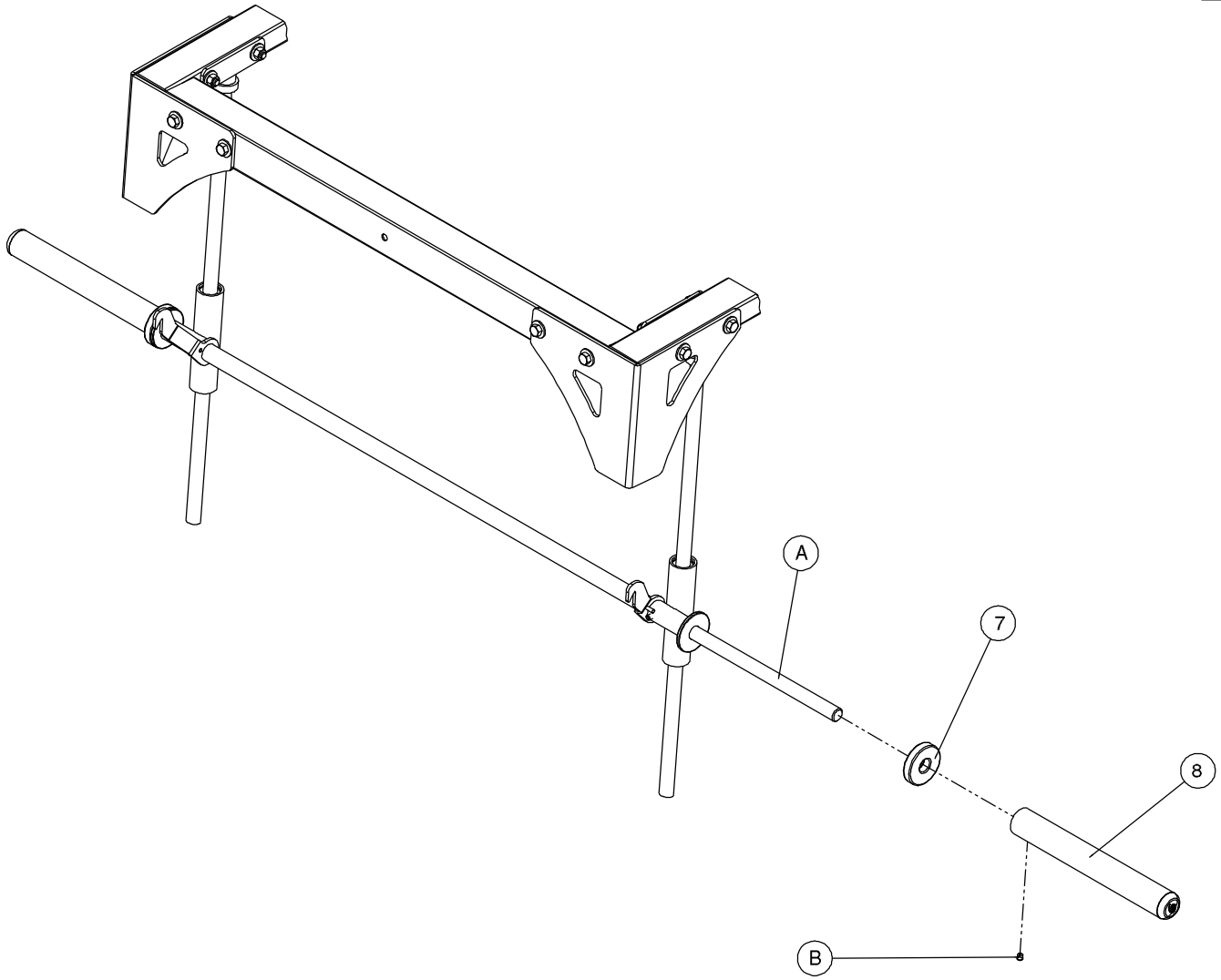
Step #2 Materials:

#	Description	Qty.
<input type="checkbox"/> 4	Smith Bar	1
<input type="checkbox"/> 5	Smith Catch Assembly	1
<input type="checkbox"/> 6	Bronze Bushing	2
<input type="checkbox"/> 10	Set Screw - 3/8" x .625"L (Set Screws are Pre-Assembled)	4

- A.** Ensure that the SMITH SLIDER ASSEMBLIES (A) are both positioned above the safety spotters on the cage for the following steps.
- B.** With the assistance of a helper, sandwich a BRONZE BUSHING (6), the SMITH CATCH ASSEMBLY (5), and another BRONZE BUSHING (6), between the 2-SMITH SLIDER ASSEMBLIES (A). Ensure that when the SMITH CATCH ASSEMBLY (5) is positioned that the Tab (B) on the SMITH CATCH ASSEMBLY (5) is positioned above the TAB (C) on the Smith Slider Assembly. Slide the SMITH BAR (4) through all of the above mentioned parts, stopping when the SMITH BAR (4) is centered in the cage.
- C.** Tighten the pre-installed SET SCREWS (10) into each of the SMITH SLIDER ASSEMBLIES (A).



- A.** Slide the entire Smith Bar Assembly (A) to the top of the cage, and engage the safety hooks into the cage, so that it is in the racked position.
- B.** Thoroughly tighten the Set Screws (D) in the 2-Guide Rod Holders (B). Also tighten the 4-Button Head Cap Screws (C) that hold the 2-Guide Rod Holders (B) in place.
- C.** Disengage the Smith Bar Assembly (A), and lower it to the lowest possible resting position. Thoroughly tighten the Set Screws (F) into each of the two Lower Guide Rod Holders (E) on the cage, and tighten the 2-SET SCREWS (F).



Step #4 Materials:

#	Description	Qty.
<input type="checkbox"/> 7	Rubber Bumper	2
<input type="checkbox"/> 8	Smith Olympic Adapter	2

- A. Slide a RUBBER BUMPER (7) onto one end of the Smith Bar (A). Next slide the INTERNATIONAL SMITH ADAPTER (8) onto the Smith Bar (A). Tighten the pre-installed SET SCREW (B) into the INTERNATIONAL SMITH ADAPTER (8).
- B. Repeat Step A for the onther end of the Smith Bar (A).
- C. Tighten all hardware.

The assembly of your NT-1810 is now complete.

Should you have any questions or comments regarding your Nautilus product, please feel free to contact our Customer Service Department. Retain these Assembly Instructions for future reference.

The NT 1810 is rated to 800lbs (not included users weight).
Maximum user weight limit is 350lbs.



The Nautilus Group
1886 Prairie Way
Louisville, CO 80027
1-800-864-1270
www.nautilus.com