

# RT-MINI II

Self-Flashing Base for any Sloped Roofs (Metal, EPDM, TPO, Asphalt)

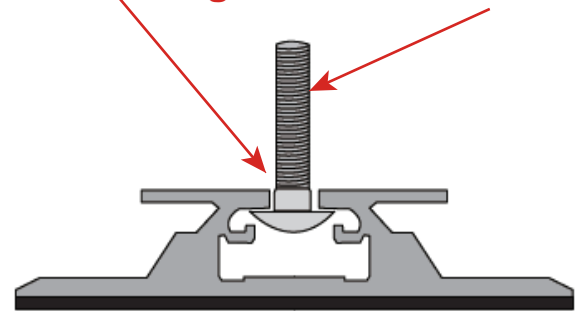


- ✓ Less Aluminum
- ✓ More Efficient Design
- ✓ Additional Mounting Options

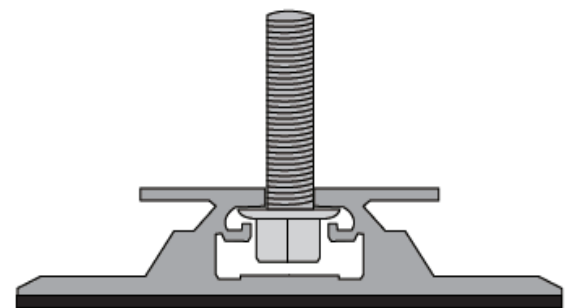


RT-MINI II is suitable for all systems with a conventional L-Foot.

1/4" x 1" Carriage Bolt EMT Mount



RT Serrated Hex Flange Bolt/Nut:  
5/16-18 x 1"



Installation Manual



ICC ESR 3575

**Roof Tech**

The Standard for Waterproof Flexible Flashing Since 1994

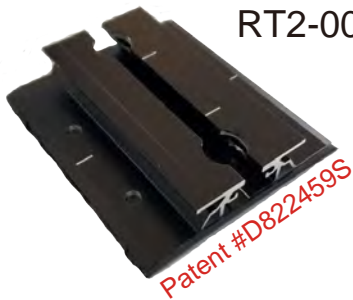
www.roof-tech.us

info@roof-tech.us

# RT-MINI II

Flexible Flashing Certified by the International Code Council (ICC)

## Components



RT2-00-MINIBK2

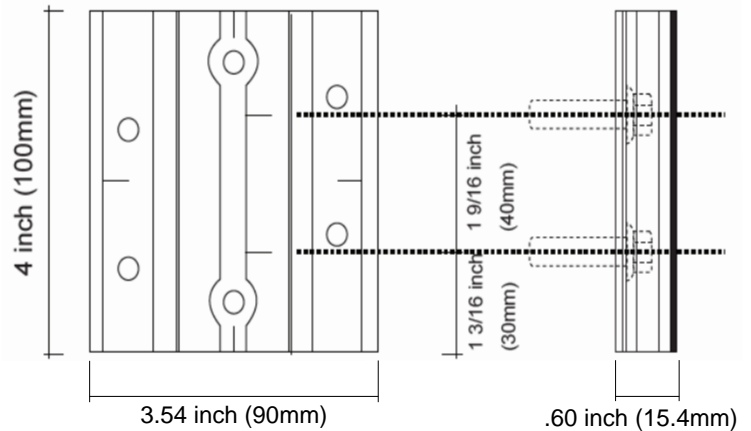


MINI II base : 20 ea.  
Screw : 40 ea.  
Extra RT-Butyl : 5 ea.

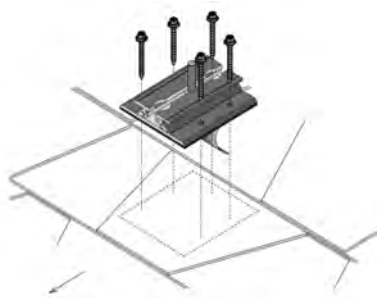
### Optional Items:

5 x 60mm Mounting Screw (RT2-04-SD5-60) : 100 ea./Bag  
5/16 X 25MM Flange Bolt & Nut (RT2-04-FBN25) : 100 ea./Bag  
RT-Butyl (RT2-04-MNBUTYL) : 10 ea./Box

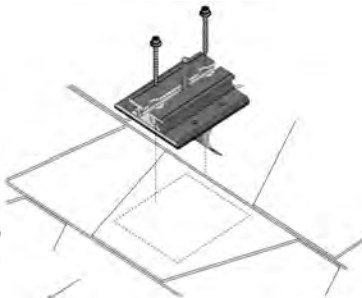
## Dimensions in (mm)



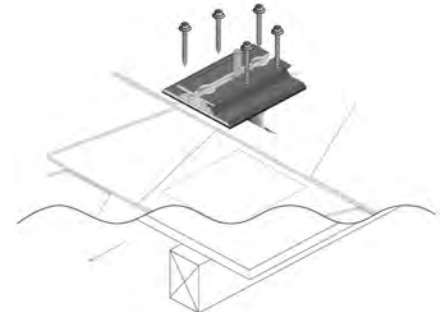
### Deck Installation



### Rafter Installation



### Offset Rafter Installation



RT-Butyl is Roof Tech's flexible flashing used in one million residential PV systems for the last 27 years. It is the first PV mounting system with Flexible Flashing certified by the ICC. Engineered to withstand wind speeds up to 180 mph and ground snow up to 90 psf.

### Engineered to ASTM D 1761

(Standard Test Methods for Mechanical Fasteners in Wood)

ICC ESR-3575

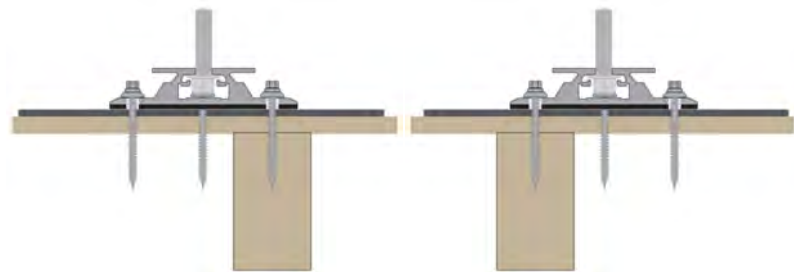
ASTM2140 Testing



TAS 100 A on metal and asphalt roof.

P.E. Stamped Letters available at [www.roof-tech.us/support](http://www.roof-tech.us/support)

### Offset Rafter Attachment Options



### Metal Flashing Retrofit



Shedding Water?

### Flexible Flashing



100% Waterproof

Roof Tech Inc.

[www.roof-tech.us](http://www.roof-tech.us)

[info@roof-tech.us](mailto:info@roof-tech.us)

10620 Trenea Street, Suite 230, San Diego, CA 92131

858.935.6064