



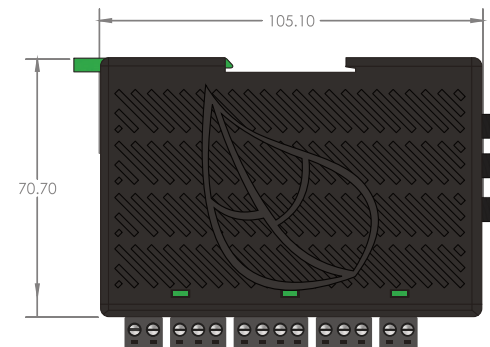
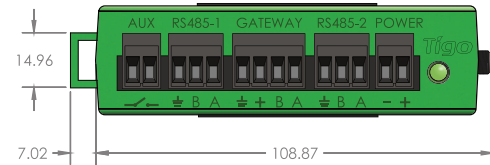
CCA Kits

Data logger/gateway, Tigo Access Point (TAP), power supply, and outdoor enclosure options

The Cloud Connect Advanced (CCA) is a compact, powerful data logging and communications gateway that powers the monitoring and safety capabilities of Tigo TS4 module level power electronics (MLPE). CCA Kit options provide all the components needed for communicating between inverters, TAPs, TS4s, and the Tigo Energy Intelligence platform.

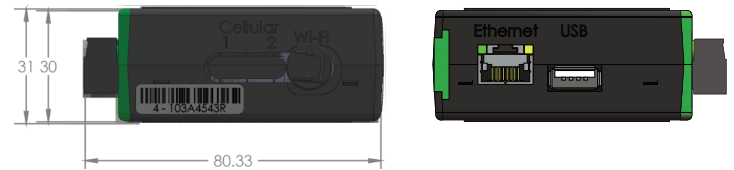
CCA

- Collects data from up to 900 TS4s via up to seven TAPs
- Connects to wired and wireless networks
- Includes a multifunction LED status indicator
- Configured and commissioned with the Tigo Energy Intelligence (EI) app
- Monitors 3rd-party devices via Modbus



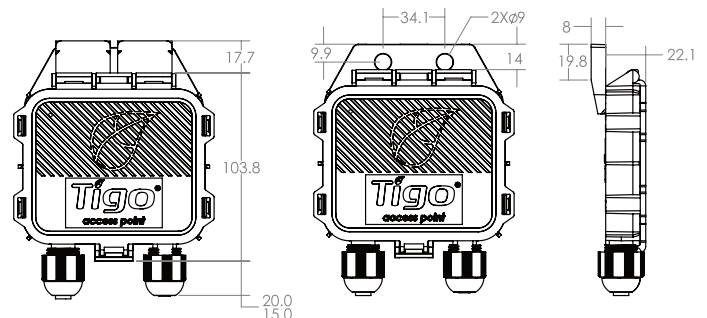
TAP

- Collects data from up to 300 TS4s
- Wireless mesh communication
- Scalable architecture
- Mounts easily on module frames without tools



Power Supplies/Outdoor Enclosure

- Outlet and DIN rail power-supply options
- Compact, DIN rail design
- IP67, NEMA 4 rated enclosure

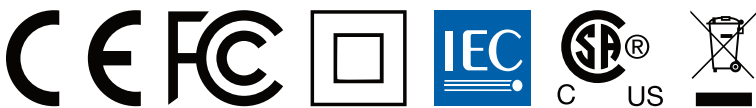


Specifications

CCA	
Operating temperature range	-20 – 85°C (-4 – 185°F)
Maximum altitude	3000m (9840ft)
Cooling	Natural convection
Input voltage	10 – 25V _{DC}
Power consumption (up to 7 TAPs)	3 – 15W
Dimensions (W/D/H)	31 x 115.5 x 71.5mm (1.2 x 4.5 x 2.8in)
Weight	126g (.44lbs)
TAP	
Operating temperature range	-20 – 85°C (-4 – 185°F)
Environmental rating	IP68/NEMA 4X
Power Supplies/Outdoor Enclosure	
Operating temperature range	-20 – 70°C (-4 – 185°F)
Input voltage	50/60Hz, 100 – 240V _{DC}
Dimensions (W/D/H)	203 x 115 x 278.4mm (8 x 4.5 x 11in)
Weight (w/CCA and power supply)	1.1kg (2.4lbs)
Environmental rating	IP67/NEMA 4X

Ordering Information

344-00000-10	CCA Kit with DIN rail power supply, outdoor enclosure
344-00000-52	CCA Kit with TAP, DIN rail power supply
344-00000-62	CCA Kit with TAP, outlet power supply
346-00000-00	CCA standalone
348-00000-52	CCA Kit with TAP, DIN rail power supply, outdoor enclosure
348-00000-62	CCA Kit with TAP, outlet power supply, outdoor enclosure



Resources

