

SPLITTER TROUGH, TYPE 1



INDUSTRY STANDARDS

CSA C22.2 No. 76, File No. 42184: Type 1
 NEMA/EEMAC Type 1
 IEC 60529, IP30

APPLICATION

With pre-installed terminal blocks for three- and four-wire power distribution systems, this trough splits feeder circuit conductors into multiple branch circuit conductors.

FEATURES

- Various size knockouts on each side
- Hinged covers
- Mounting holes in back
- Includes single-point ground lug
- Ground Splitter (ground bar) accessory available

SPECIFICATIONS

- 14 gauge steel

FINISH

ANSI 61 gray polyester powder paint finish inside and out

ACCESSORIES

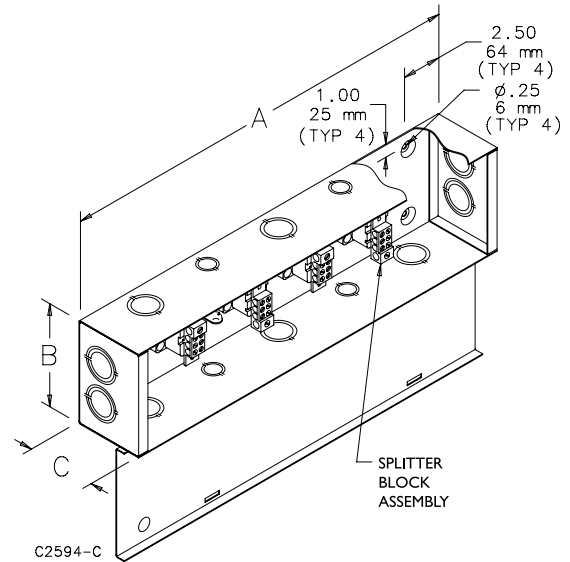
See also Accessories.

Splitter Trough Block Assemblies

Ground Splitter Bar

Touch-Up Paint

BULLETIN: S90T



Knockout Size and Spacing

| Amps Rating | Qty. | End Knockout Size | Spacing (in.) | Spacing (mm) | Side Knockout Size and Position | Spacing (in.) | Spacing (mm) |
|-------------|------|-------------------|---------------|--------------|---------------------------------|---------------|--------------|
| 85 | 2 | 1-3/4-2 | 2.75 | 70 | Alternating 1/2-3/4 and 1-1-3/4 | 4.50 | 114 |
| 125 | 2 | 1-3/4-2 | 2.75 | 70 | Alternating 1/2-3/4 and 1-1-3/4 | 4.50 | 114 |
| 225 | 2 | 2-1/2-3 | 4.06 | 103 | Alternating 1/2-3/4 and 1-1-3/4 | 4.50 | 114 |
| 400 | 2 | 3-3-1/2 | 4.91 | 125 | Alternating 1/2-3/4 and 1-1-3/4 | 4.50 | 114 |
| 600 | 2 | 3-3-1/2 | 4.91 | 125 | Alternating 1/2-3/4 and 1-1-3/4 | 4.50 | 114 |

Standard Product **Type 1 Splitter Trough**

| Catalog Number | in. | mm | Number of Wires | Main Lugs Amps CU | Main Lugs Wire Size Range | Main Lugs Qty. | Branch Lugs Amps CU | Branch Lugs Wire Size Range | Branch Lugs Qty. |
|----------------|----------------------|------------------|-----------------|-------------------|---------------------------|----------------|---------------------|-------------------------------|----------------------|
| AST283R | 24.00 x 6.00 x 4.50 | 610 x 152 x 114 | 3 | 85 | 14-1 | 1 | 55 | 14-6 | 6 |
| AST284R | 24.00 x 6.00 x 4.50 | 610 x 152 x 114 | 4 | 85 | 14-1 | 1 | 55 | 14-6 | 6 |
| AST383R | 36.00 x 6.00 x 4.50 | 914 x 152 x 114 | 3 | 85 | 14-1 | 1 | 55 | 14-6 | 6 |
| AST384R | 36.00 x 6.00 x 4.50 | 914 x 152 x 114 | 4 | 85 | 14-1 | 1 | 55 | 14-6 | 6 |
| AST483R | 48.00 x 6.00 x 4.50 | 1219 x 152 x 114 | 3 | 85 | 14-1 | 1 | 55 | 14-6 | 6 |
| AST484R | 48.00 x 6.00 x 4.50 | 1219 x 152 x 114 | 4 | 85 | 14-1 | 1 | 55 | 14-6 | 6 |
| AST2123R | 24.00 x 6.00 x 4.50 | 610 x 152 x 114 | 3 | 125 | 14-1/0 | 1 | 110 | 14-2 | 6 |
| AST2124R | 24.00 x 6.00 x 4.50 | 610 x 152 x 114 | 4 | 125 | 14-1/0 | 1 | 110 | 14-2 | 6 |
| AST3123R | 36.00 x 6.00 x 4.50 | 914 x 152 x 114 | 3 | 125 | 14-1/0 | 1 | 110 | 14-2 | 6 |
| AST3124R | 36.00 x 6.00 x 4.50 | 914 x 152 x 114 | 4 | 125 | 14-1/0 | 1 | 110 | 14-2 | 6 |
| AST4123R | 48.00 x 6.00 x 4.50 | 1219 x 152 x 114 | 3 | 125 | 14-1/0 | 1 | 110 | 14-2 | 6 |
| AST4124R | 48.00 x 6.00 x 4.50 | 1219 x 152 x 114 | 4 | 125 | 14-1/0 | 1 | 110 | 14-2 | 6 |
| AST3223R | 36.00 x 8.25 x 4.50 | 914 x 210 x 114 | 3 | 225 | 6-300MCM | 1 | 150 | 14-2/0 | 6 |
| AST3224R | 36.00 x 8.25 x 4.50 | 914 x 210 x 114 | 4 | 225 | 6-300MCM | 1 | 150 | 14-2/0 | 6 |
| AST4223R | 48.00 x 8.25 x 4.50 | 1219 x 210 x 114 | 3 | 225 | 6-300MCM | 1 | 150 | 14-2/0 | 6 |
| AST4224R | 48.00 x 8.25 x 4.50 | 1219 x 210 x 114 | 4 | 225 | 6-300MCM | 1 | 150 | 14-2/0 | 6 |
| AST5223R | 60.00 x 8.25 x 4.50 | 1524 x 210 x 114 | 3 | 225 | 6-300MCM | 1 | 150 | 14-2/0 | 6 |
| AST5224R | 60.00 x 8.25 x 4.50 | 1524 x 210 x 114 | 4 | 225 | 6-300MCM | 1 | 150 | 14-2/0 | 6 |
| AST6223R | 72.00 x 8.25 x 4.50 | 1829 x 210 x 114 | 3 | 225 | 6-300MCM | 1 | 150 | 14-2/0 | 6 |
| AST6224R | 72.00 x 8.25 x 4.50 | 1829 x 210 x 114 | 4 | 225 | 6-300MCM | 1 | 150 | 14-2/0 | 6 |
| AST3403R | 36.00 x 10.00 x 6.00 | 914 x 254 x 152 | 3 | 400 | 1/0-250MCM: 4-600MCM | 2:1 | 175 | 6-4/0 AND 14-3/0 ^a | 4 and 2 ^a |
| AST4403R | 48.00 x 10.00 x 6.00 | 1219 x 254 x 152 | 3 | 400 | 1/0-250MCM: 4-600MCM | 2:1 | 175 | 6-4/0 AND 14-3/0 ^a | 4 and 2 ^a |
| AST4404R | 48.00 x 10.00 x 6.00 | 1219 x 254 x 152 | 4 | 400 | 1/0-250MCM: 4-600MCM | 2:1 | 175 | 6-4/0 AND 14-3/0 ^a | 4 and 2 ^a |
| AST5403R | 60.00 x 10.00 x 6.00 | 1524 x 254 x 152 | 3 | 400 | 1/0-250MCM: 4-600MCM | 2:1 | 175 | 6-4/0 AND 14-3/0 ^a | 4 and 2 ^a |
| AST5404R | 60.00 x 10.00 x 6.00 | 1524 x 254 x 152 | 4 | 400 | 1/0-250MCM: 4-600MCM | 2:1 | 175 | 6-4/0 AND 14-3/0 ^a | 4 and 2 ^a |
| AST6403R | 72.00 x 10.00 x 6.00 | 1829 x 254 x 152 | 3 | 400 | 1/0-250MCM: 4-600MCM | 2:1 | 175 | 6-4/0 AND 14-3/0 ^a | 4 and 2 ^a |
| AST6404R | 72.00 x 10.00 x 6.00 | 1829 x 254 x 152 | 4 | 400 | 1/0-250MCM: 4-600MCM | 2:1 | 175 | 6-4/0 AND 14-3/0 ^a | 4 and 2 ^a |
| AST4603R | 48.00 x 11.00 x 6.50 | 1219 x 279 x 165 | 3 | 600 | 1/0-250MCM: 4-600MCM | 4:2 | 175 | 6-4/0 AND 14-3/0 ^a | 4 and 2 ^a |
| AST4604R | 48.00 x 11.00 x 6.50 | 1219 x 279 x 165 | 4 | 600 | 1/0-250MCM: 4-600MCM | 4:2 | 175 | 6-4/0 AND 14-3/0 ^a | 4 and 2 ^a |
| AST5603R | 60.00 x 11.00 x 6.50 | 1524 x 279 x 165 | 3 | 600 | 1/0-250MCM: 4-600MCM | 4:2 | 175 | 6-4/0 AND 14-3/0 ^a | 4 and 2 ^a |
| AST5604R | 60.00 x 11.00 x 6.50 | 1524 x 279 x 165 | 4 | 600 | 1/0-250MCM: 4-600MCM | 4:2 | 175 | 6-4/0 AND 14-3/0 ^a | 4 and 2 ^a |
| AST6603R | 72.00 x 11.00 x 6.50 | 1829 x 279 x 165 | 3 | 600 | 1/0-250MCM: 4-600MCM | 4:2 | 175 | 6-4/0 AND 14-3/0 ^a | 4 and 2 ^a |
| AST6604R | 72.00 x 11.00 x 6.50 | 1829 x 279 x 165 | 4 | 600 | 1/0-250MCM: 4-600MCM | 4:2 | 175 | 6-4/0 AND 14-3/0 ^a | 4 and 2 ^a |

^aSix total branch lugs: (4) 6-4/0 and (2) 14-3/0