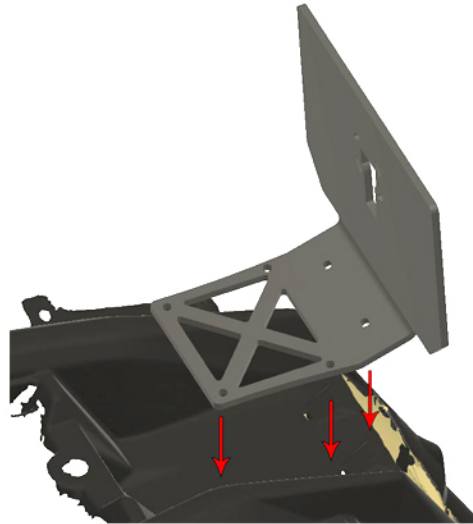




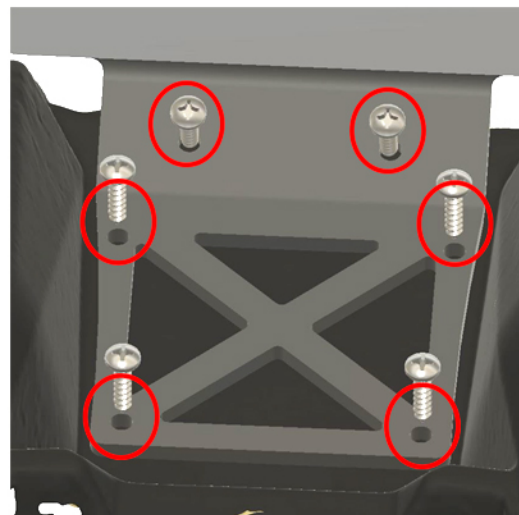
## SFM Canam X3 Top Mount

Model Years 17-23

1. Start by placing the mount on the top area of the center console



2. Mark the holes and create a pilot slot or drill directly into the dash with the self tapping screws.



3. Secure the 6 bolts to the plastic

