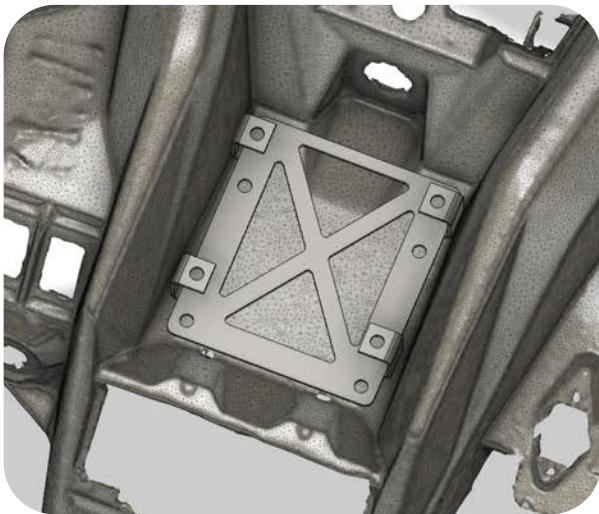


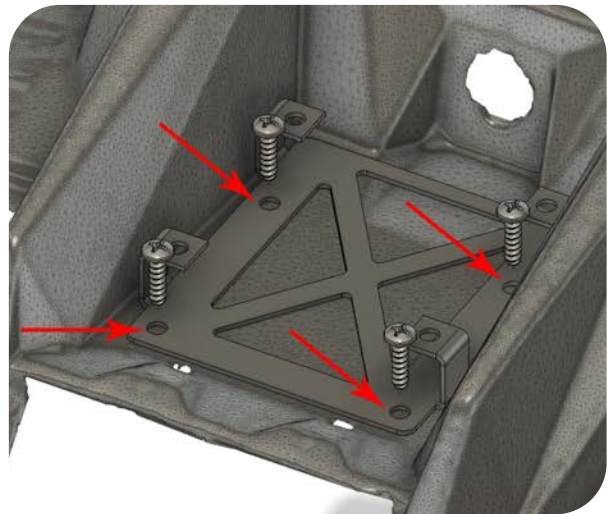


SFM Dash device mount

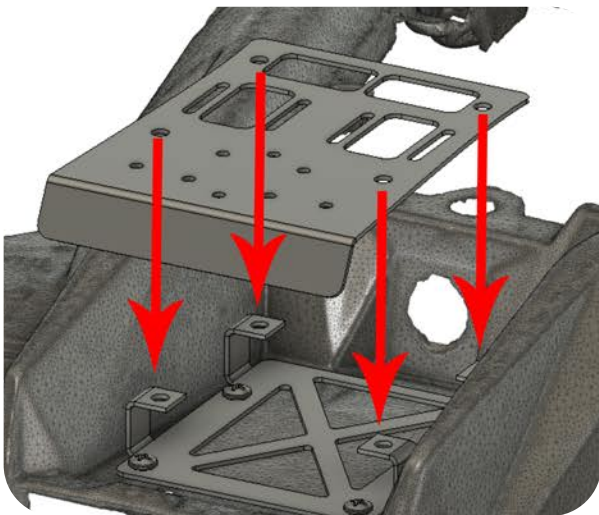
1. Position the base plate in the center of the dash area.



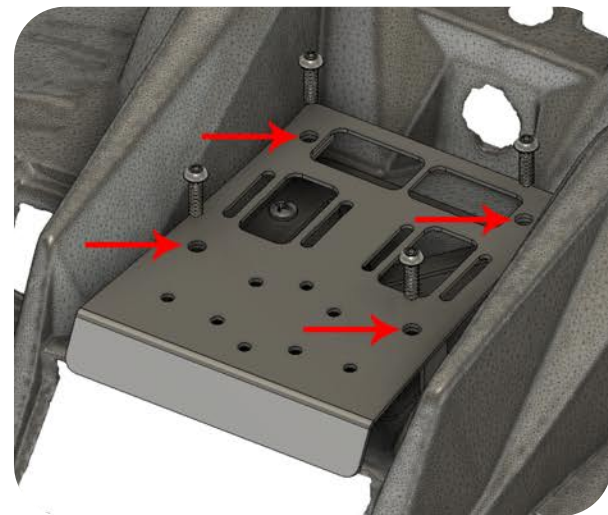
2. Secure the base plate with the 4 self tapping screws supplied



3. Once you have added your device mount go ahead and position the top plate to the mounting slots



4. Secure the top base with the 4 M6 bolts provided



Done.

**Dont forget to send pixs of your install! Any questions feel free to contact us
stayflushmotorsports@gmail.com**