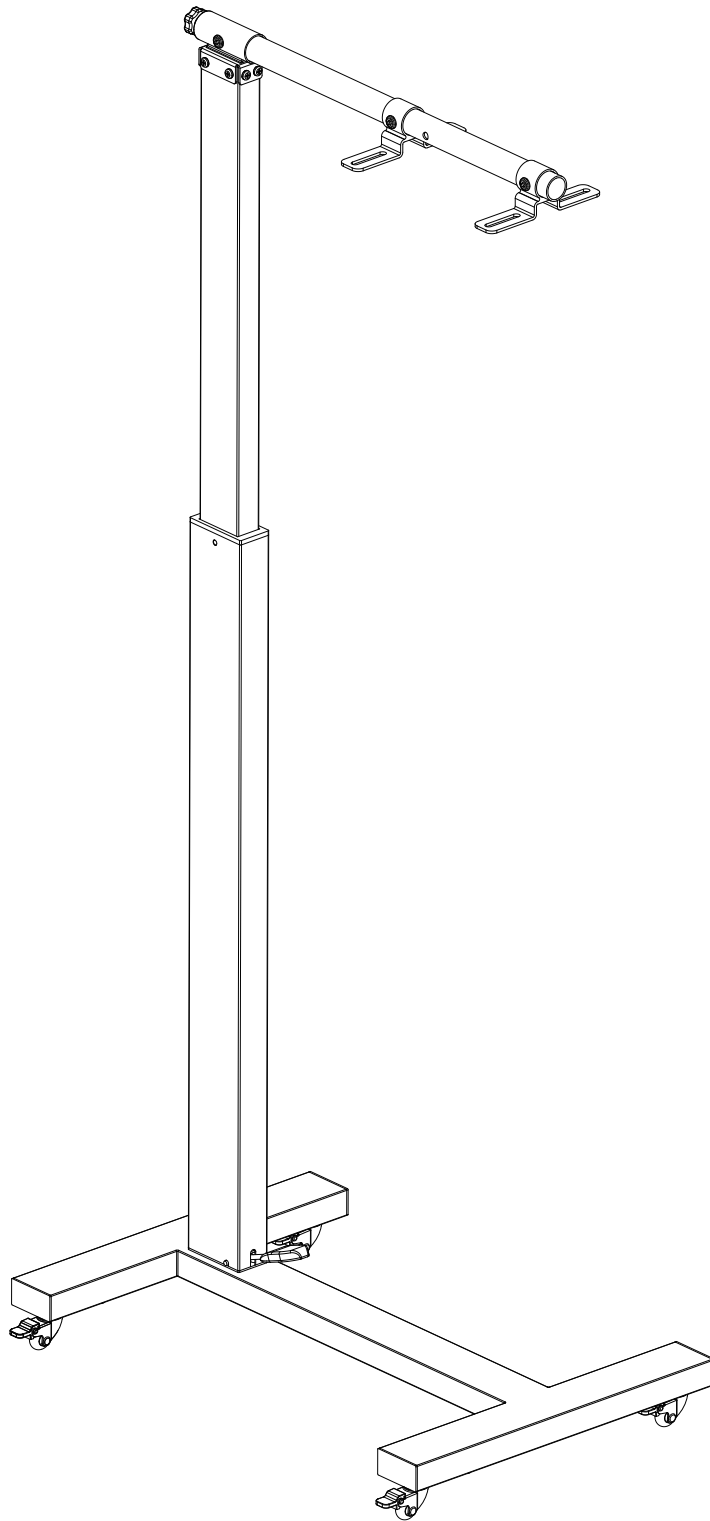


# Pneumatic Stand

## Installation Guide



# Instructions for Assembling Your Pneumatic Stand

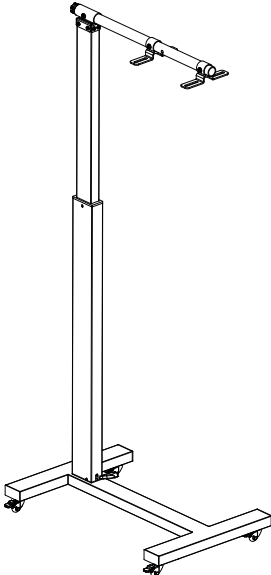
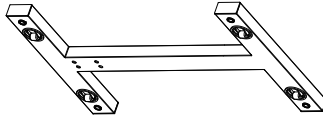
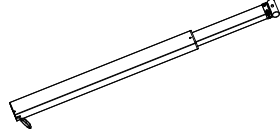
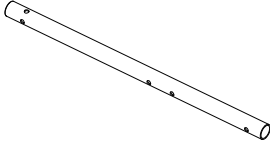
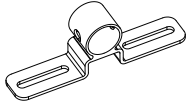
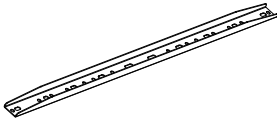
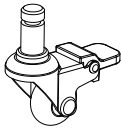
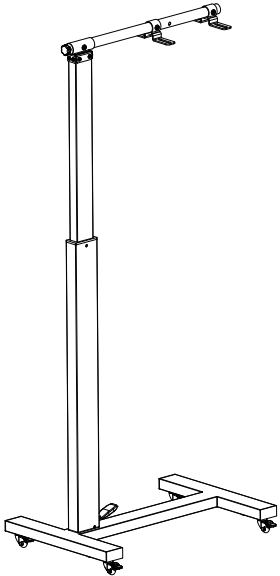










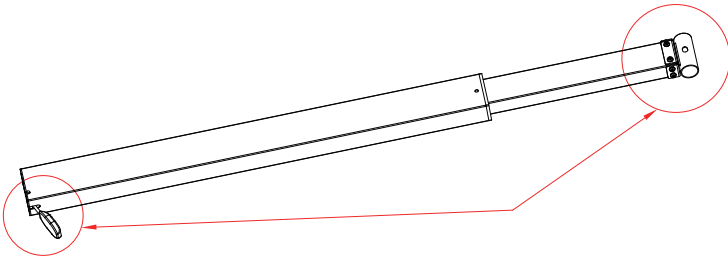
## WARNING

Please read the following before assembling:

- ◆ Do not assemble the product if any of its parts/hardware are damaged or missing, if you require replacement parts, please contact us for assistance.
- ◆ Maximum load capacity: 25KG/55LBS.
- ◆ Use the product(s) only as intended by the manufacturer.
- ◆ This product contains moving parts, please use it with caution.
- ◆ We are not responsible for/do not cover: Damage from modification of the product, improper assembly, use with load over the specified weight range and damage ensuing from a natural disaster.

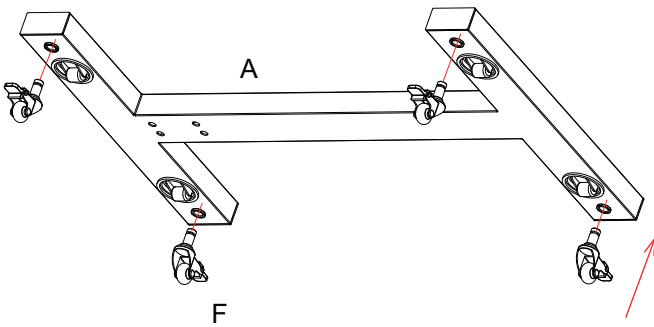
## Parts List

	 Ax1		 Bx1			
	 Cx1		 Dx2			
	 Ex2		 Fx4			
	screw  M8*65 <b>Gx4</b>	screw  M6*6 <b>Hx17</b>	screw  M6*10 <b>I x5</b>	hex wrench  4MM <b>Jx1</b>	hex wrench  5MM <b>Kx1</b>	
	screw  M6*15 <b>Lx1</b>	 <b>Mx1</b>	screw  M8*10 <b>Nx7</b>			



Special attention: When the valve is pulled down, the top telescopic rod will pop up. Please pay attention when installing the stand, do not face the top rod to yourself or anyone around you, to avoid hurting people by accident.

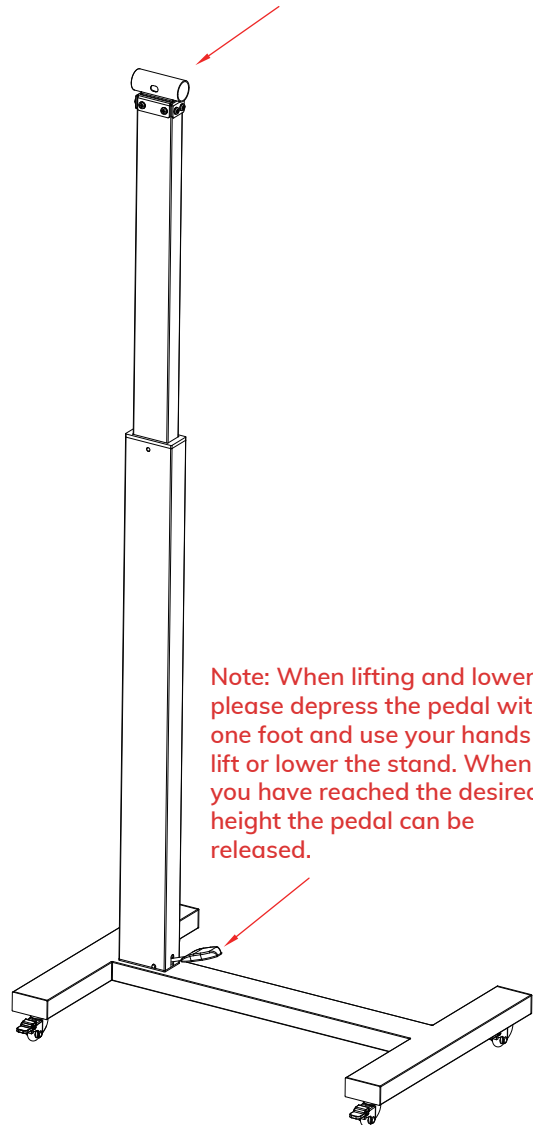
### Step 1



If the stand needs to fit under a gap less than 5cm in height you can use the original wheels in order to minimize the height and not the wheels marked "F".

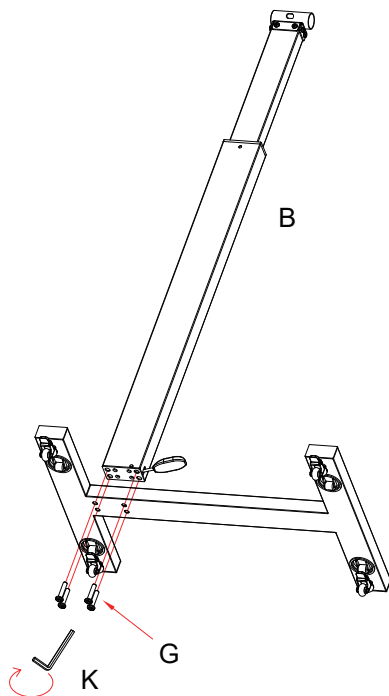
### Step 3

Note: Do not place your body above the lifting rod to prevent the injury from accidental operation.



Note: When lifting and lowering please depress the pedal with one foot and use your hands to lift or lower the stand. When you have reached the desired height the pedal can be released.

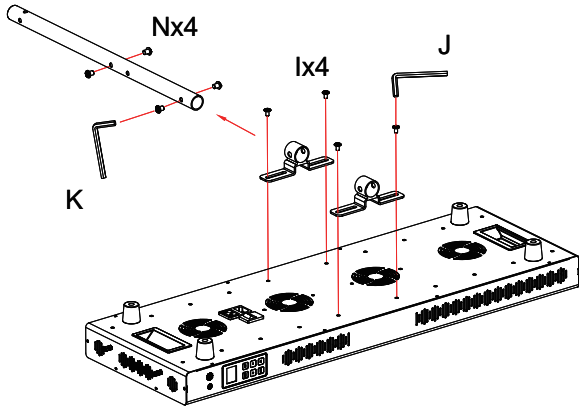
### Step 2



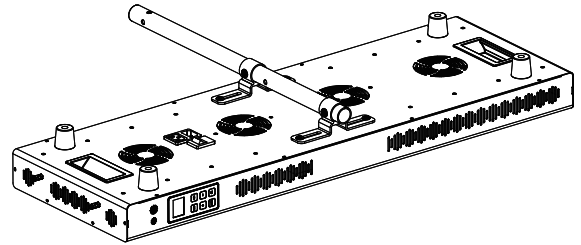
# Horizontal Mounting

Pro

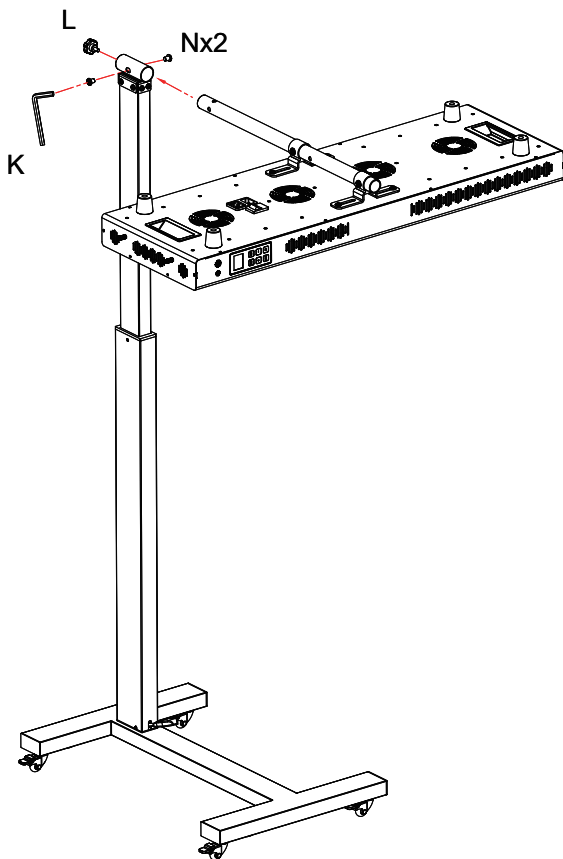
### Step 4



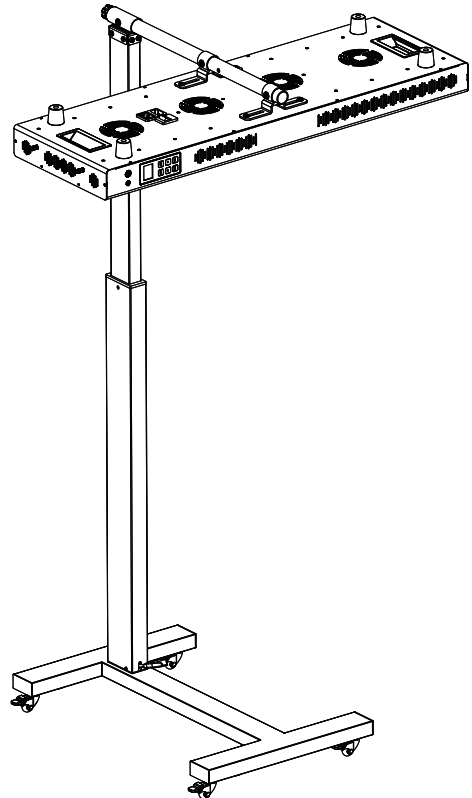
### Step 5



### Step 6

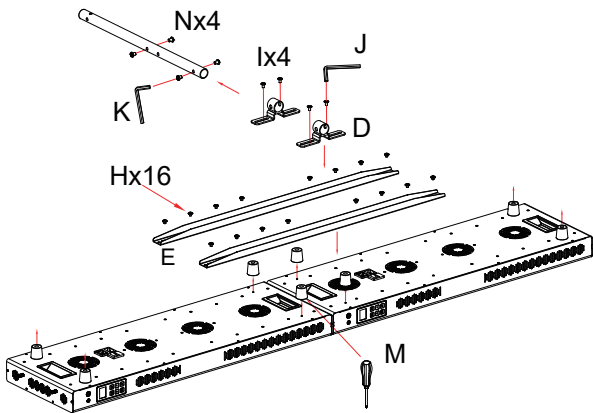


### Step 7



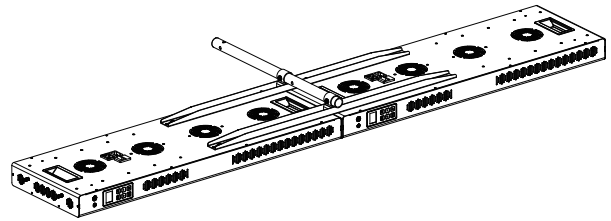
# 2xPro

## Step 4

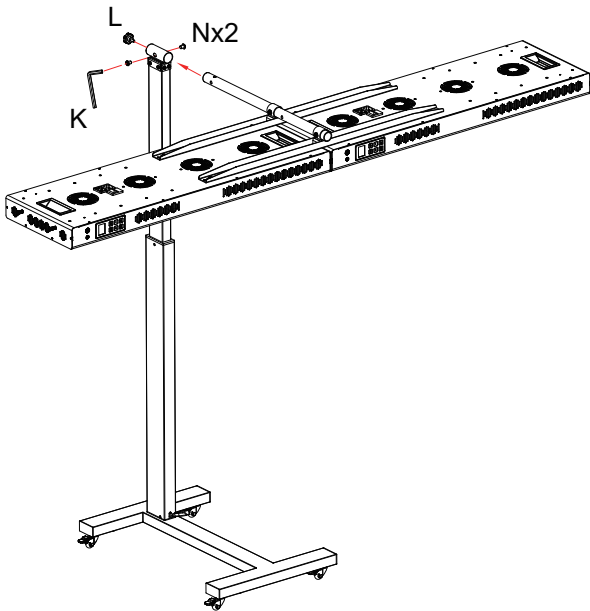


Remove the rubber bumpers

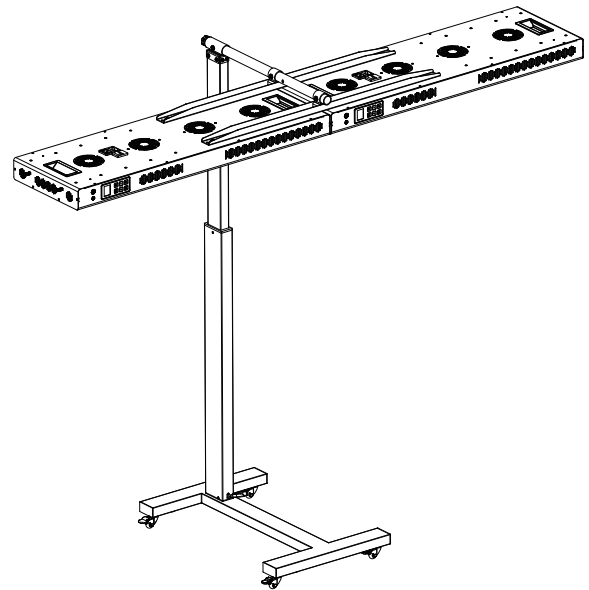
## Step 5



## Step 6

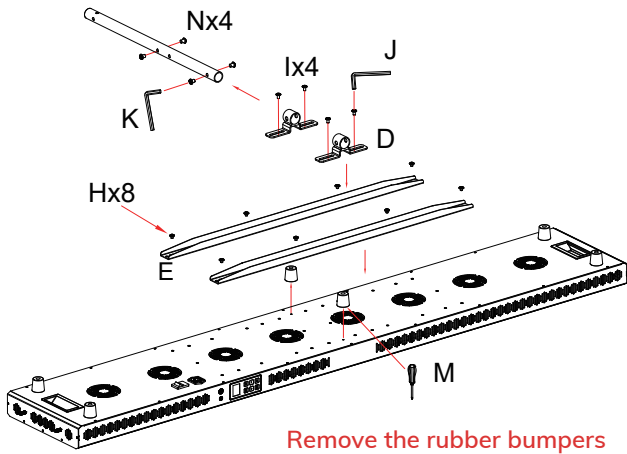


## Step 7

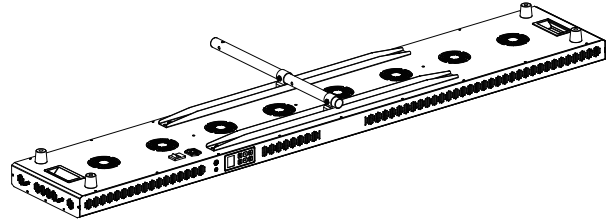


# Max

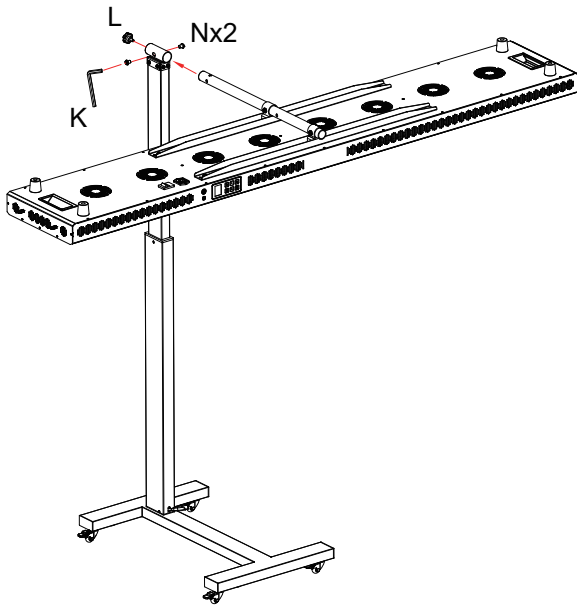
## Step 4



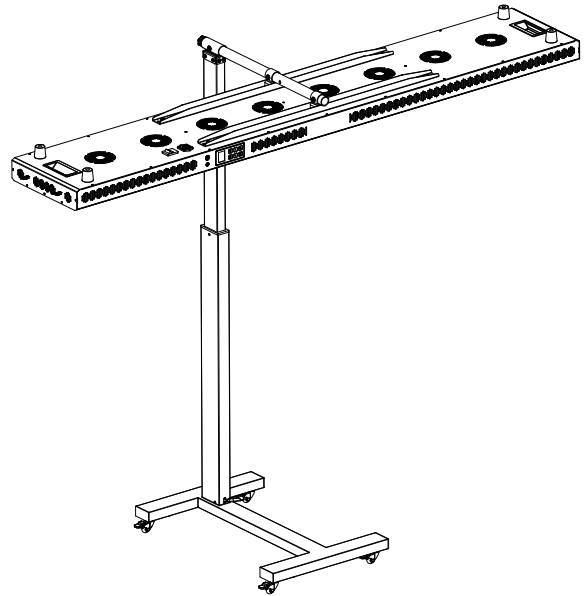
## Step 5



## Step 6

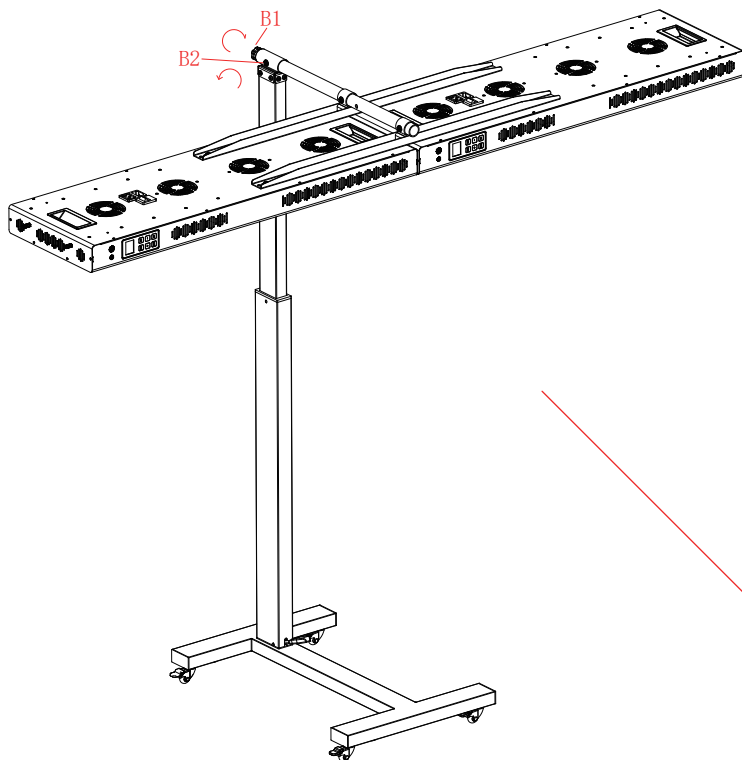


## Step 7

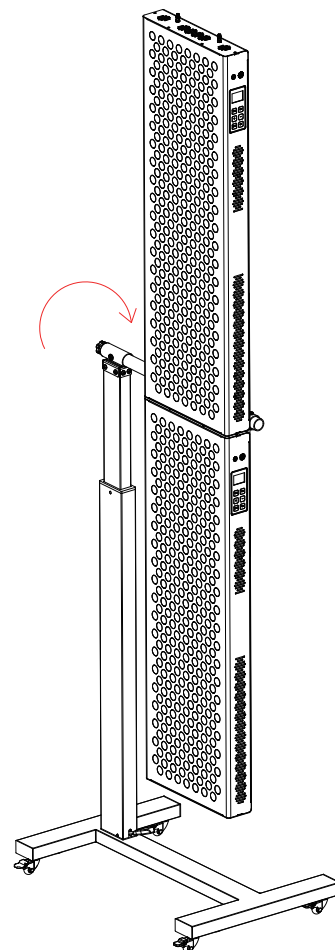


# Horizontal position to Vertical position

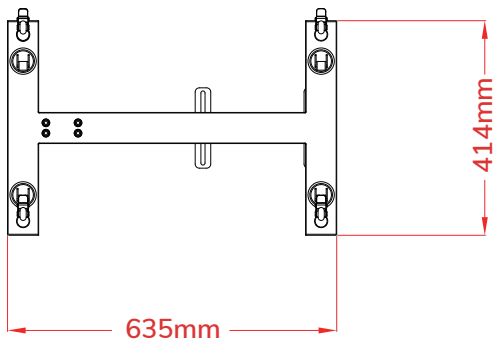
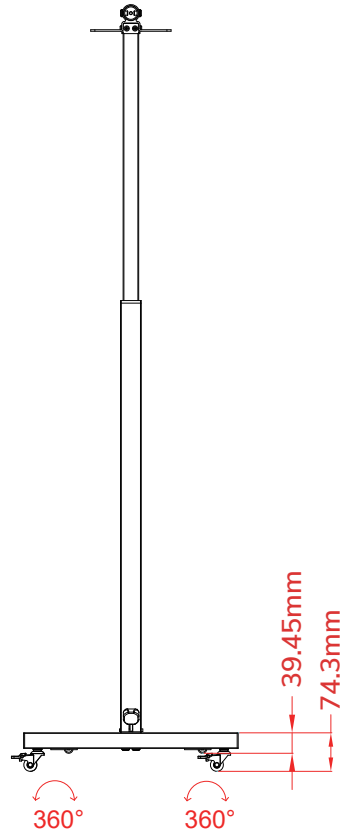
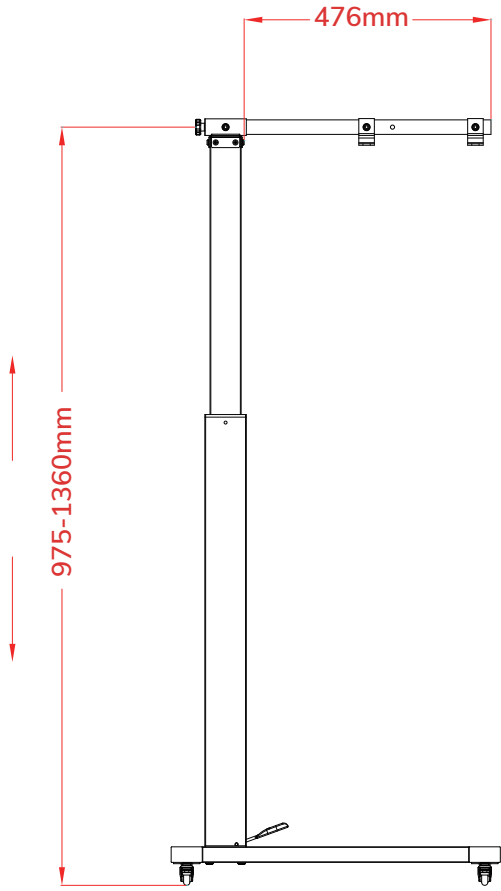
1. loose the B1
2. screw the B2 out



3. rotate the panels to the vertical position
4. tighten the screw B1 and B2



# Dimensions



Note: Maximum load capacity  
25KG/55LBS