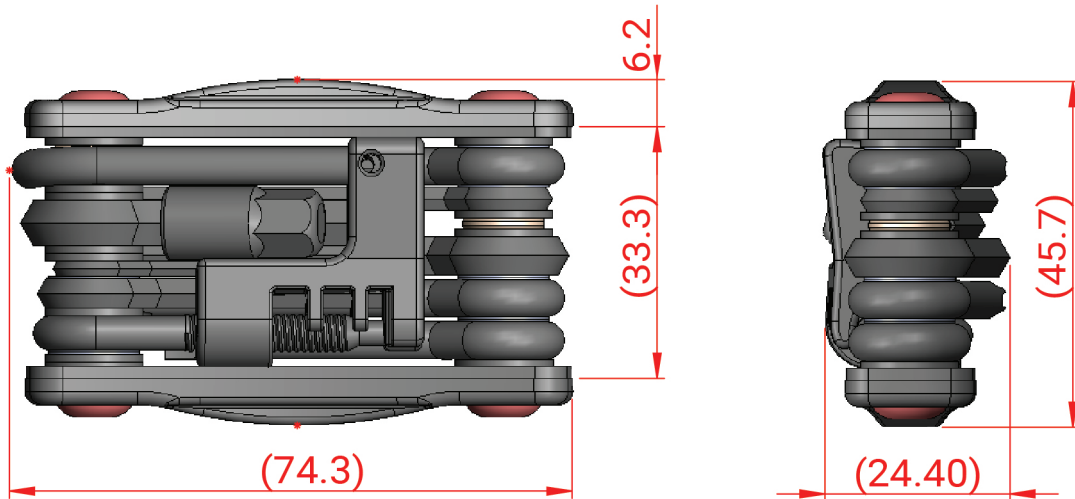
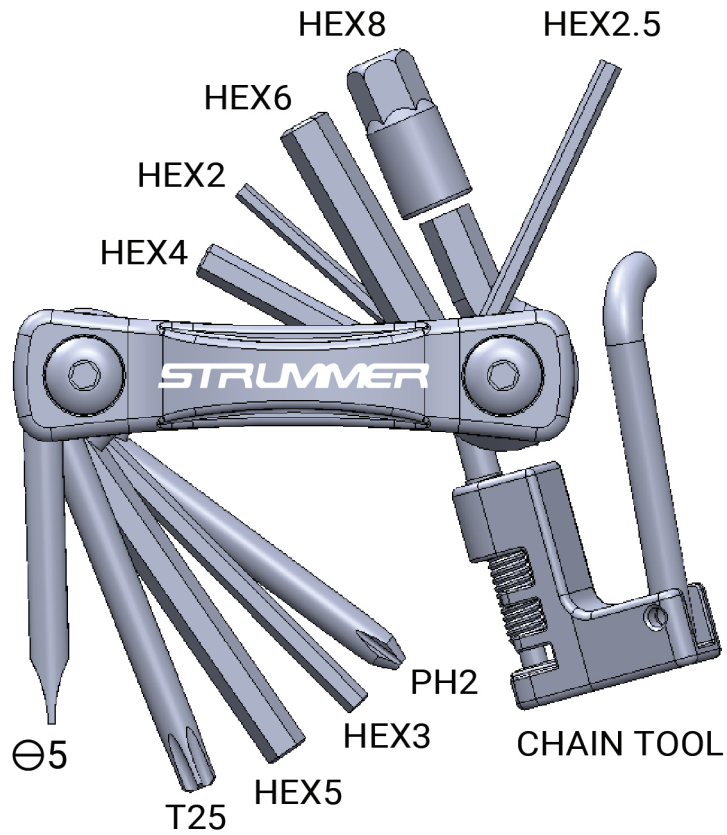


11 IN 1 FOLDING TOOL



MATERIAL: CHROMIUM VANADIUM STEEL
HEAT TREATMENT: HRC49~54

STRUMMER