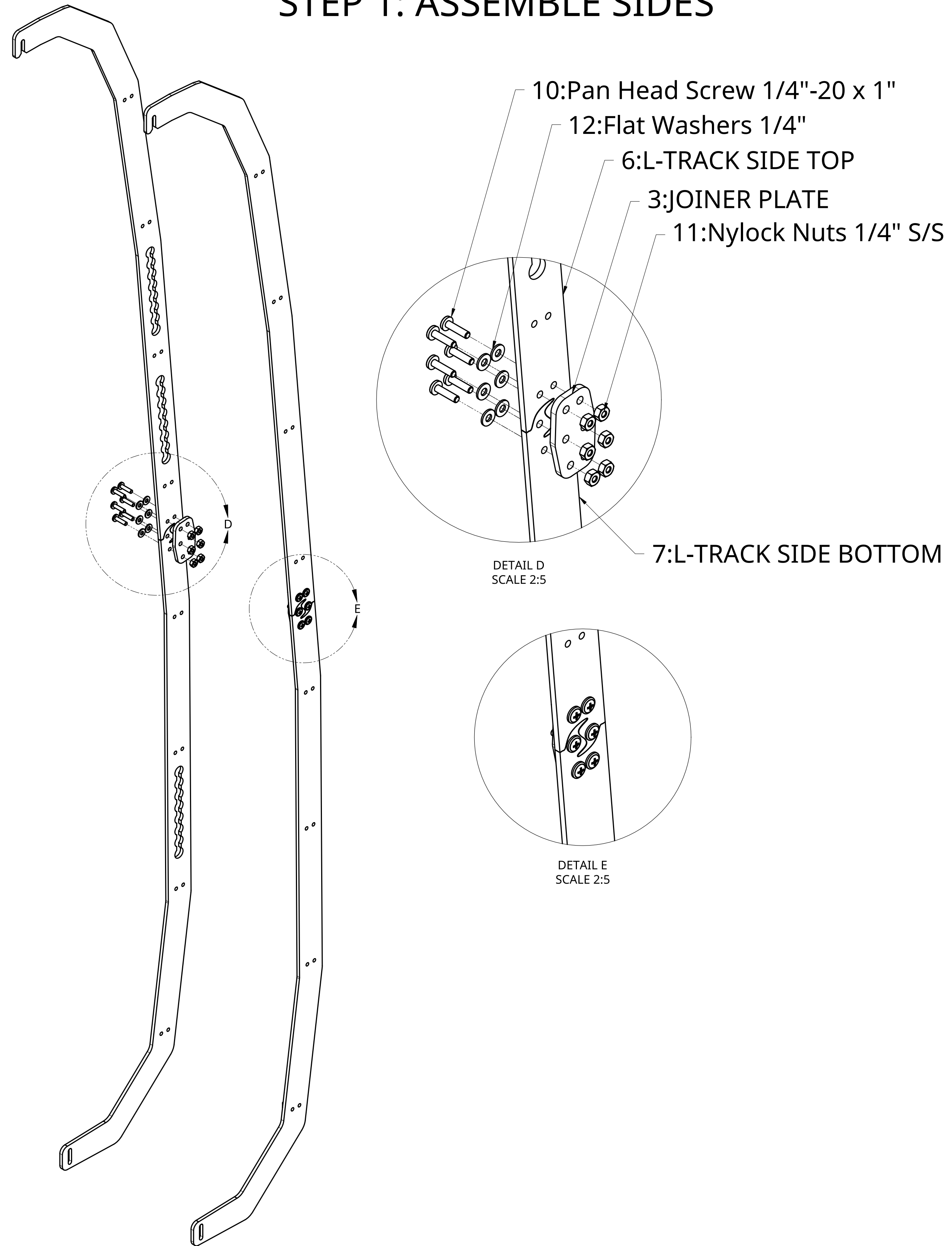


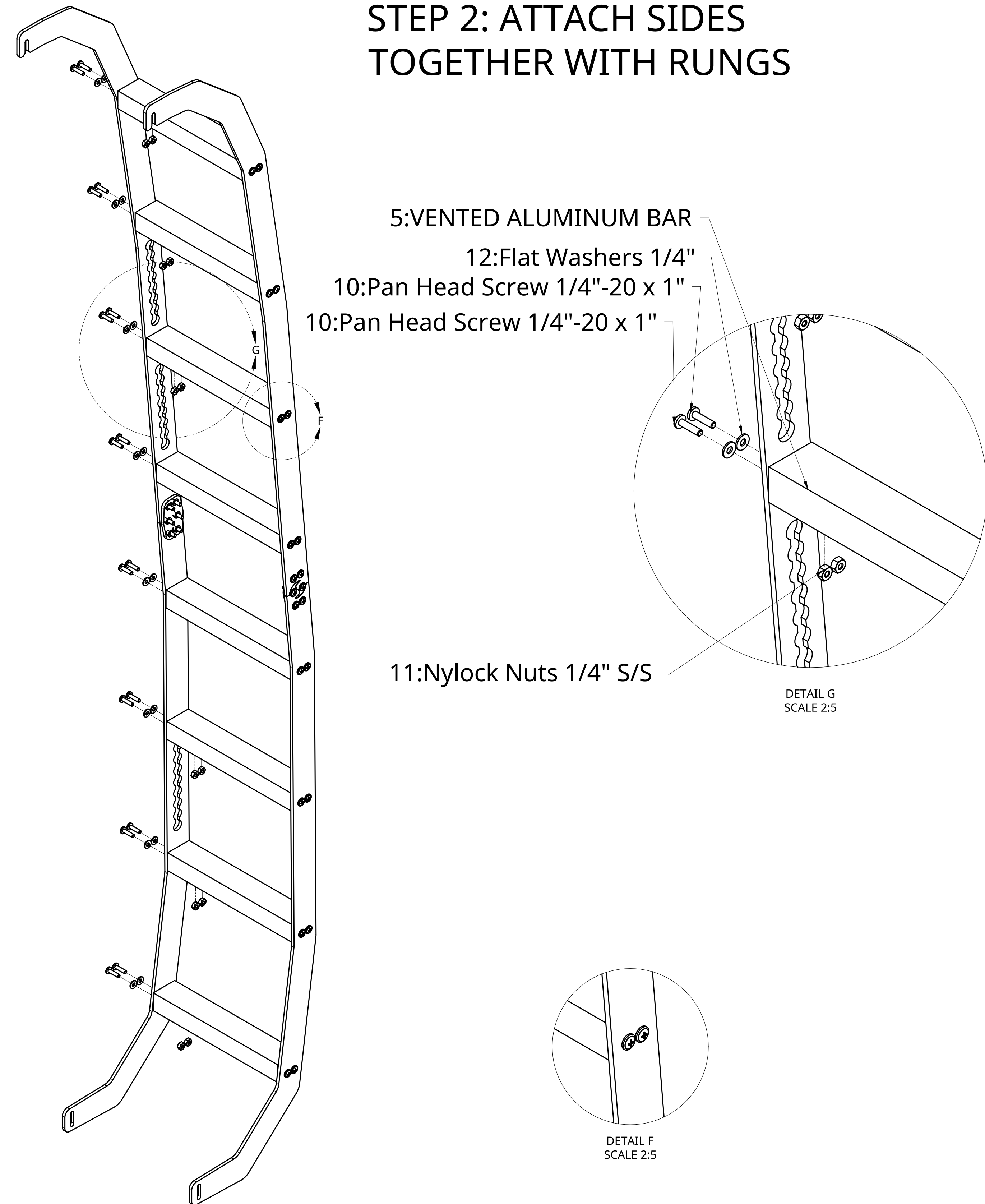
Item	Description	Quantity
1	BOTTOM MOUNT SUPPORT	1
2	BOTTOM MOUNT	1
3	JOINER PLATE	2
4	TOP MOUNT	1
5	VENTED ALUMINUM BAR	8
6	L-TRACK SIDE TOP	1
7	L-TRACK SIDE BOTTOM	1
8	SIDE TOP	1
9	SIDE BOTTOM	1
10	Pan Head Screw 1/4"-20 x 1"	54
11	Nylock Nuts 1/4" S/S	54
12	Flat Washers 1/4"	54
13	Tek Screw #8-1HWH SS	3
14	Fender Washer 5/16"	2

Transit Ladder Install Instructions

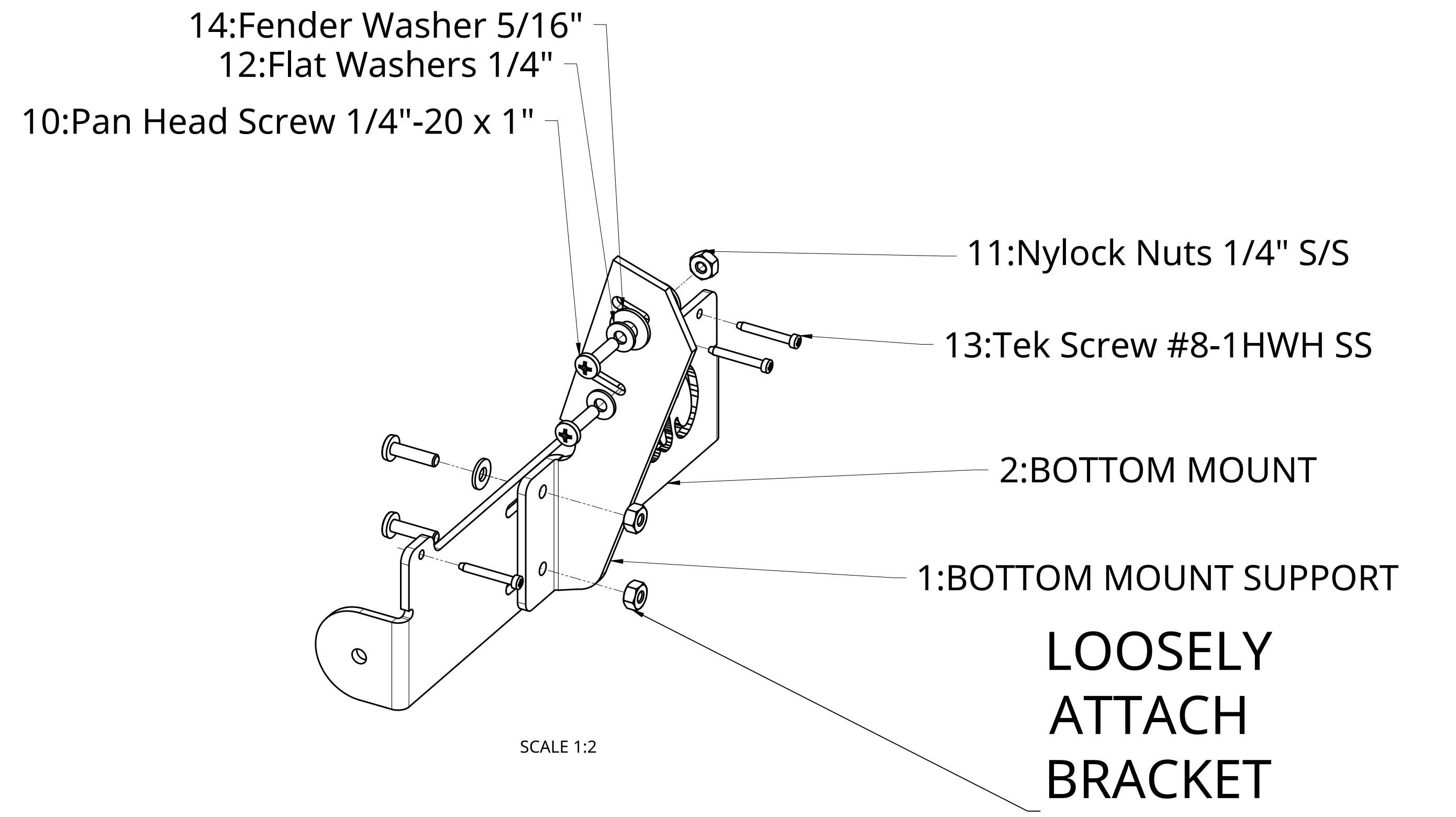
STEP 1: ASSEMBLE SIDES



STEP 2: ATTACH SIDES TOGETHER WITH RUNGS



STEP 3: INSTALL BOTTOM MOUNT



LOOSELY
 ATTACH
 BRACKET
 SUPPORT ONTO
 BOTTOM
 BRACKET

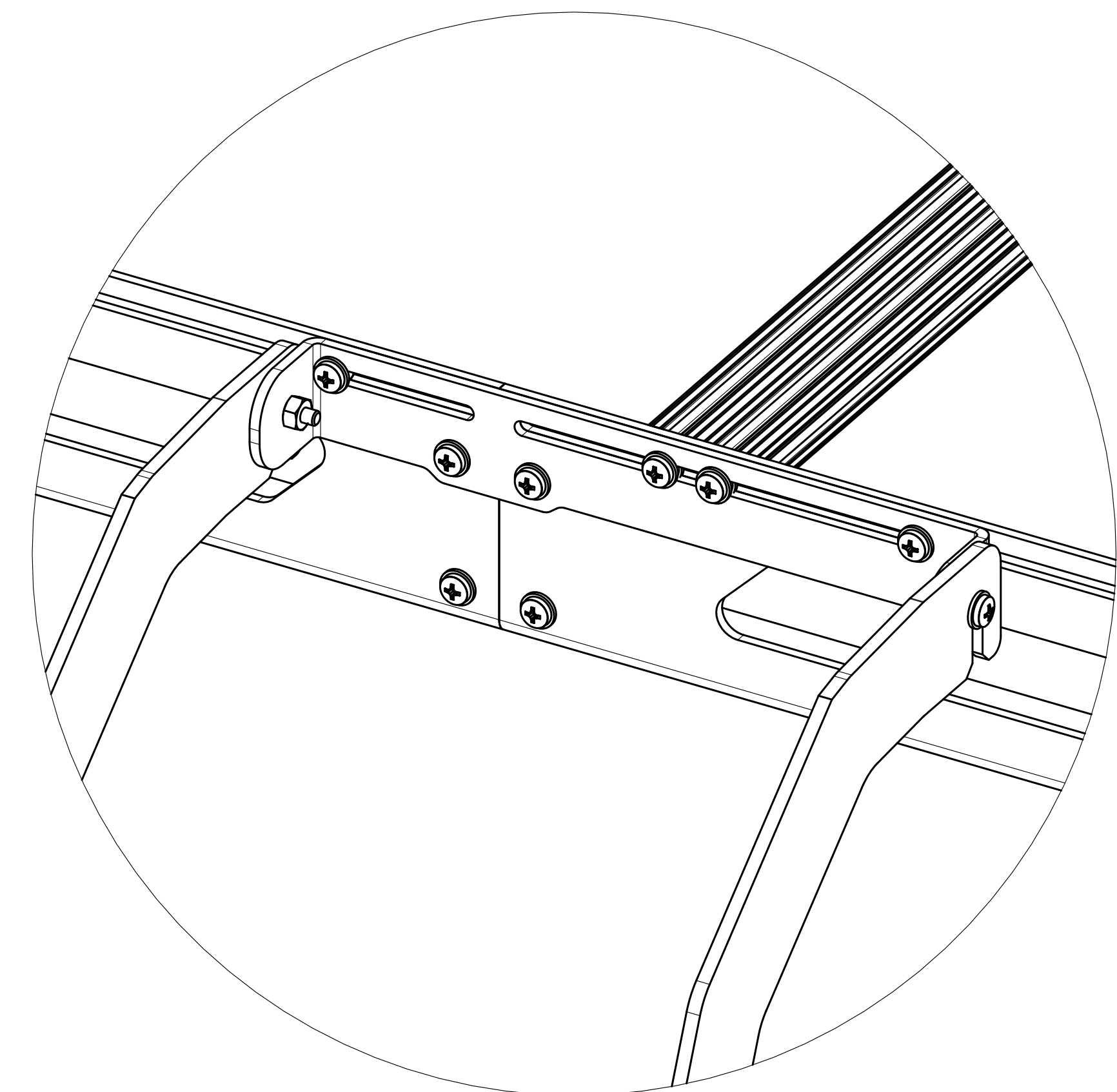
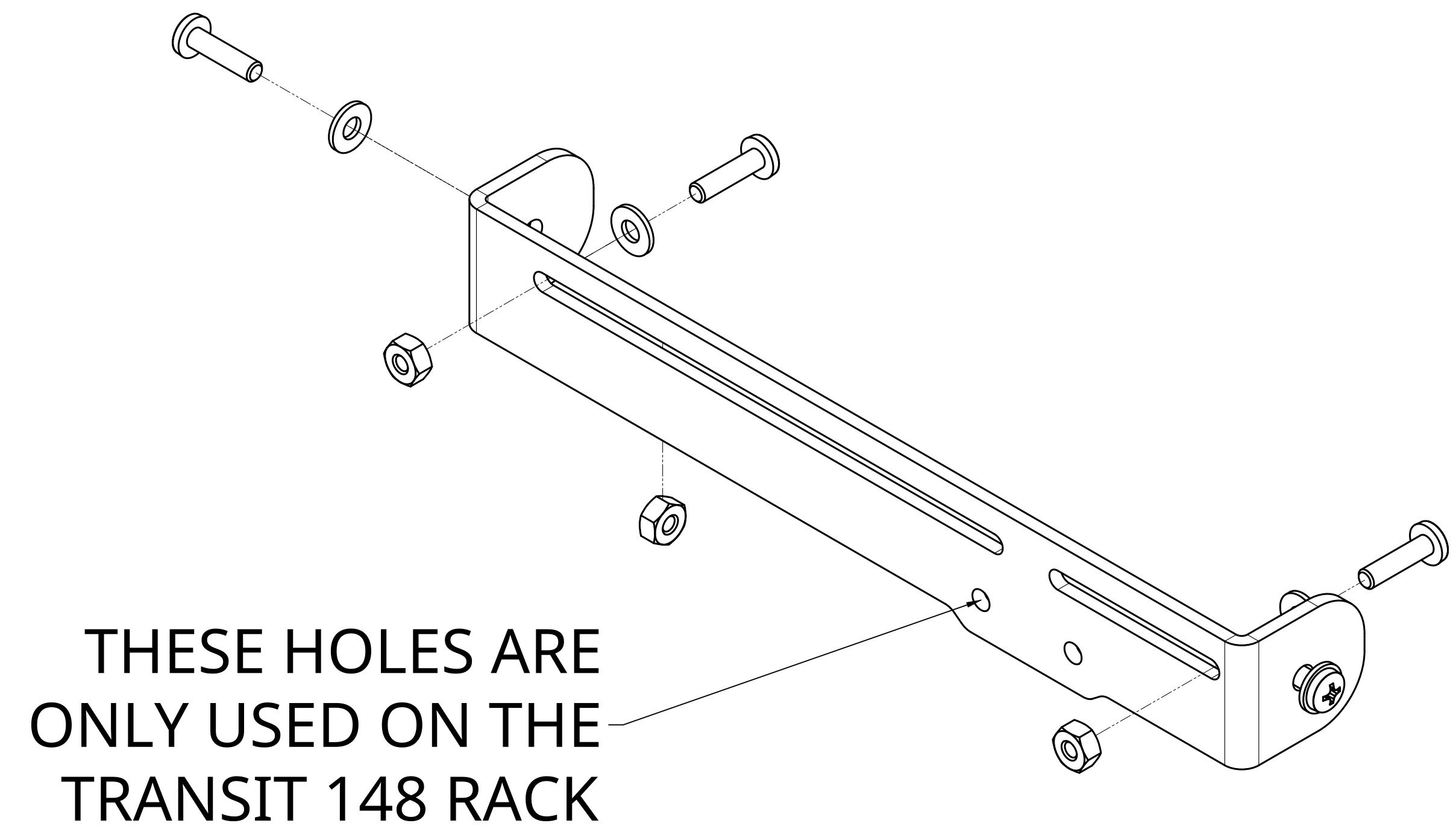


ATTACH BRACKET
 SUPPORT ONTO
 VAN SKIRT SUPPORT
 LEAVING BOLTS HAND
 TIGHT



USE THE SELF TAPPING
 SCREWS PROVIDED TO
 ATTACH BOTTOM
 BRACKET TO VAN PINCH
 WELD THEN TIGHTEN
 ALL THE BOLTS.

STEP 4: ATTACH THE TOP MOUNT TO THE RACK



8

7

6

5

4

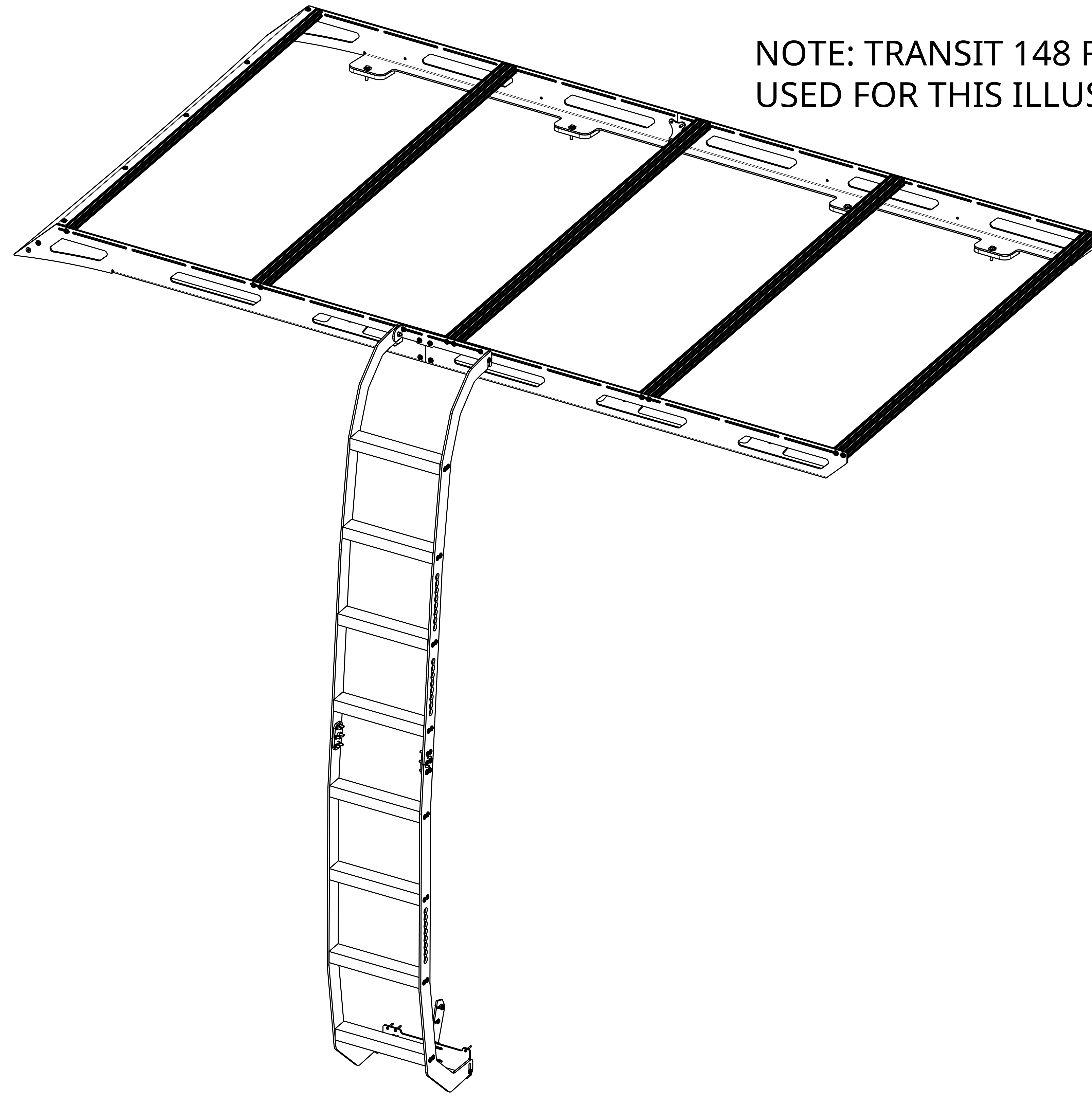
3

2

1

STEP 5: ATTACH LADDER TO
 TOP AND BOTTOM BRACKET
 MAKING SURE THE LADDER IS
 VISIBLY STRAIGHT UP AND
 DOWN TIGHTEN ANY BOLTS
 THAT ARE STILL LOOSE

NOTE: TRANSIT 148 RACK
 USED FOR THIS ILLUSTRATION



8

7

6

5

4

3

2

1

H

G

F

E

D

C

B

A

H

G

F

E

D

C

B

A