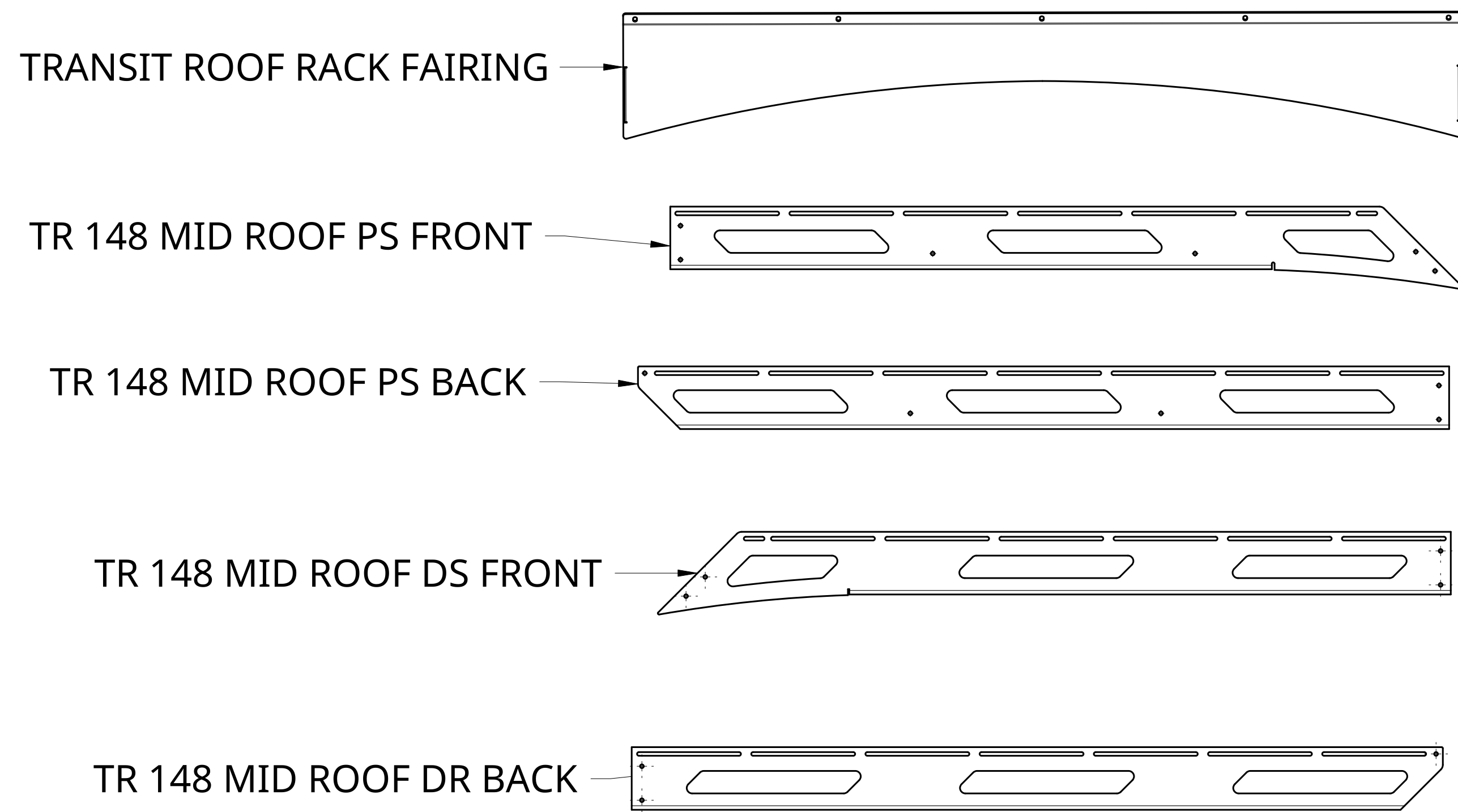




# TRANSIT 148 & 148 EXTENDED INSTALL INSTRUCTIONS

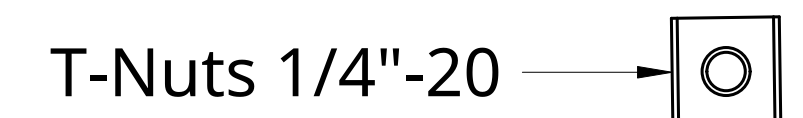
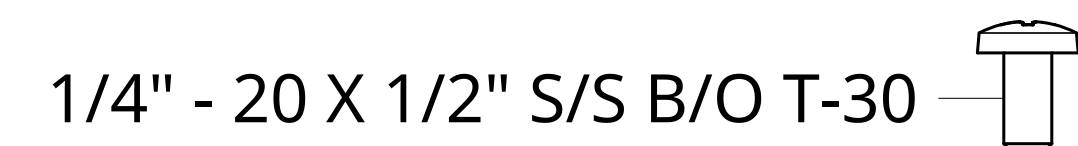
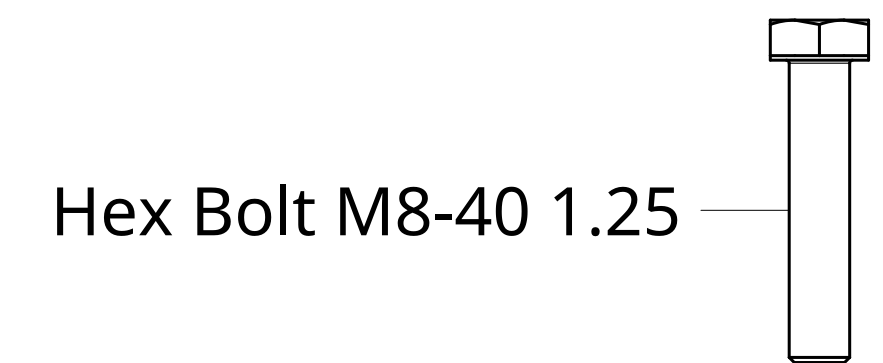
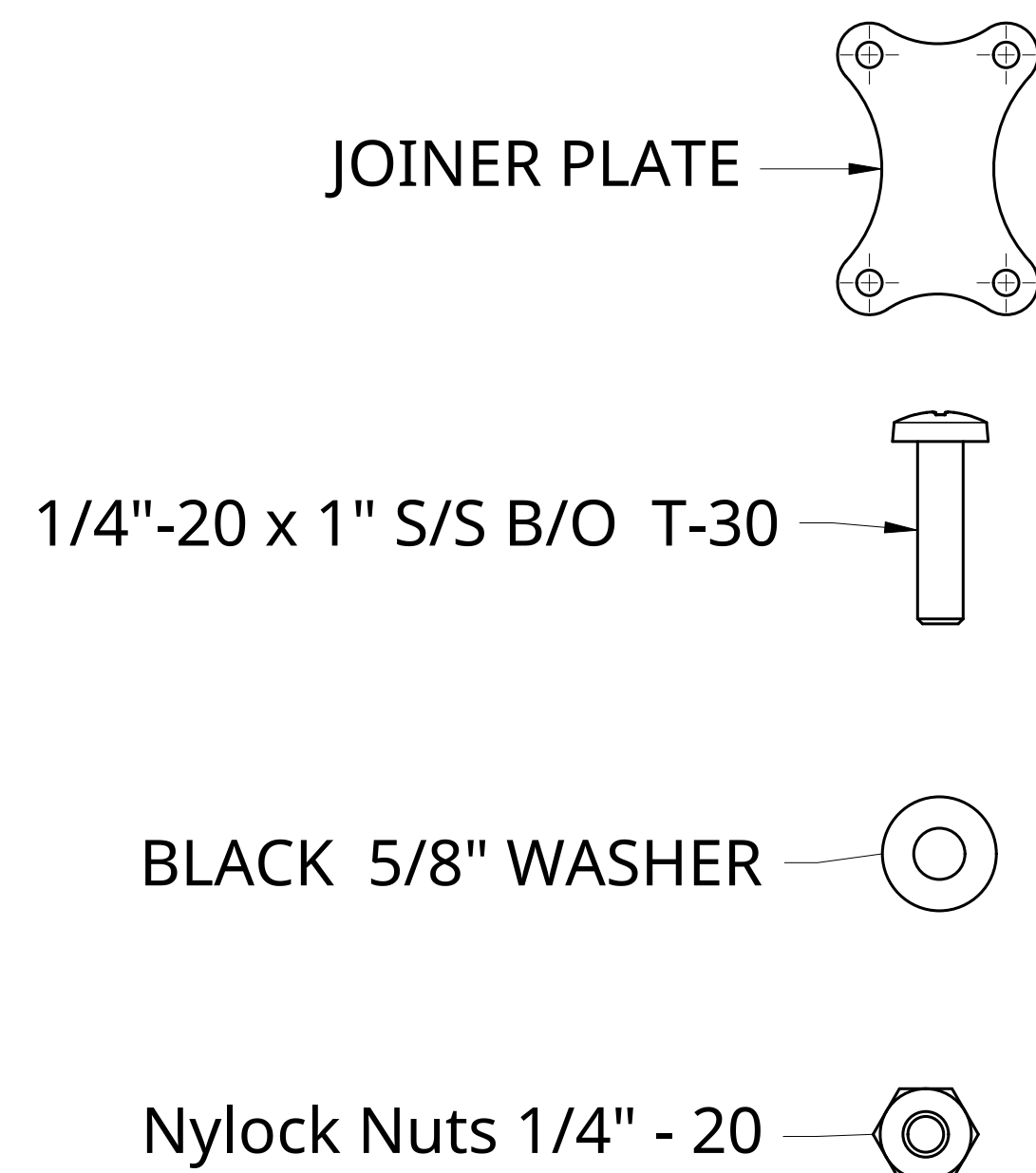


## EXTRA FOR 148

Item	Quantity	Description
1	1	TRANSIT ROOF RACK FAIRING
2	1	TR 148 MID ROOF PS FRONT
3	1	TR 148 MID ROOF PS BACK
4	1	TR 148 MID ROOF DS FRONT
5	1	TR 148 MID ROOF DR BACK
6	2	JOINER PLATE
7	5	8020 CROSSBARS
8	8	TRANSIT SPACER FOOT PAD
9	32	1/4"-20 x 1" S/S B/O T-30
10	37	BLACK 5/8" WASHER
11	12	Nylock Nuts 1/4" - 20
12	8	5/16" S/S FENDER WASHER
13	8	Hex Bolt M8-40 1.25
14	5	1/4" - 20 X 1/2" S/S B/O T-30
15	5	T-Nuts 1/4"-20

## EXTRA FOR 148 MID ROOF

Item	Quantity	Name
1	1	TR_148_CR_PS_MR_SIDE_BACK
2	1	TR_148_CR_PS_MR_SIDE_FRONT
3	2	148Joiner Plate
4	5	1488020
5	1	TR_148_CR_DS_MR_SIDE_REAR
6	1	TR_148_CR_DS_MR_SIDE_FRONT
7	1	TR_CR_FAIRING
8	37	Type A flat washer 1/4
9	32	Binding head machine screw 1/4-20 x 1
10	12	Heavy hex nut 1/4-20
11	5	Binding head machine screw 1/4-20 x 0.5
12	8	TR_CR_FOOT_PAD
13	5	8020_T-NUT
14	8	Type A flat washer 5/16
15	8	Hex head bolt grade A & B M8x1.25 x 40

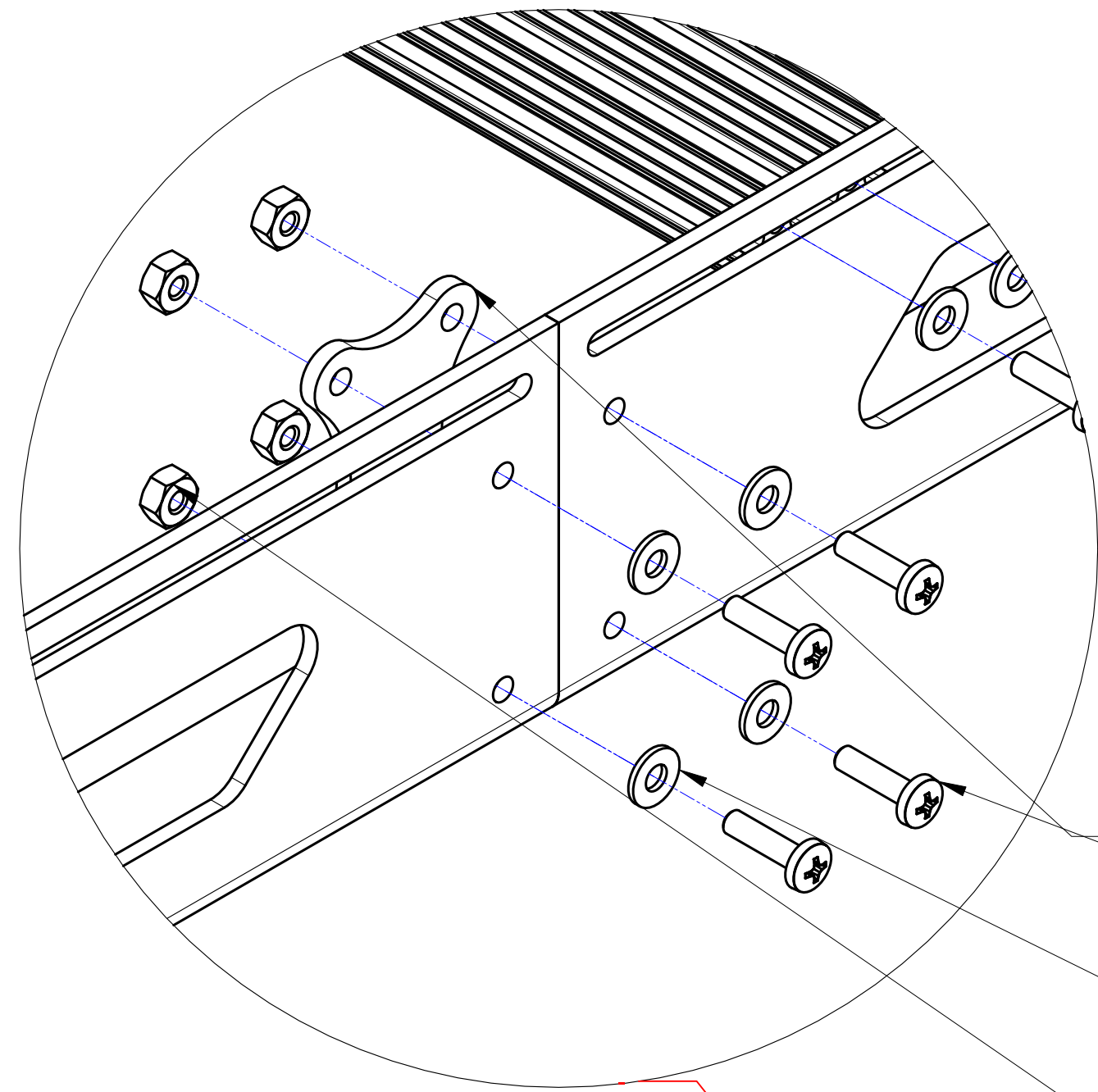


## EXTRA FOR 148 EXTENDED

Item	Quantity	Name
1	2	148Joiner Plate
2	1	148Fairing
3	6	1488020
4	10	TR_CR_FOOT_PAD
5	1	TR_148E_CR_HR_PS_BACK
6	1	TR_148E_CR_HR_PS_FRONT
7	1	TR_148E_CR_HR_DS_BACK
8	1	TR_148E_CR_HR_DS_FRONT
9	36	Binding head machine screw 1/4-20 x 1
10	45	Type A flat washer 1/4
11	12	Heavy hex nut 1/4-20
12	10	Hex head bolt grade A & B M8x1.25 x 40
13	10	Type A flat washer 5/16
14	5	8020_T-NUT
15	9	Binding head machine screw 1/4-20 x 0.5

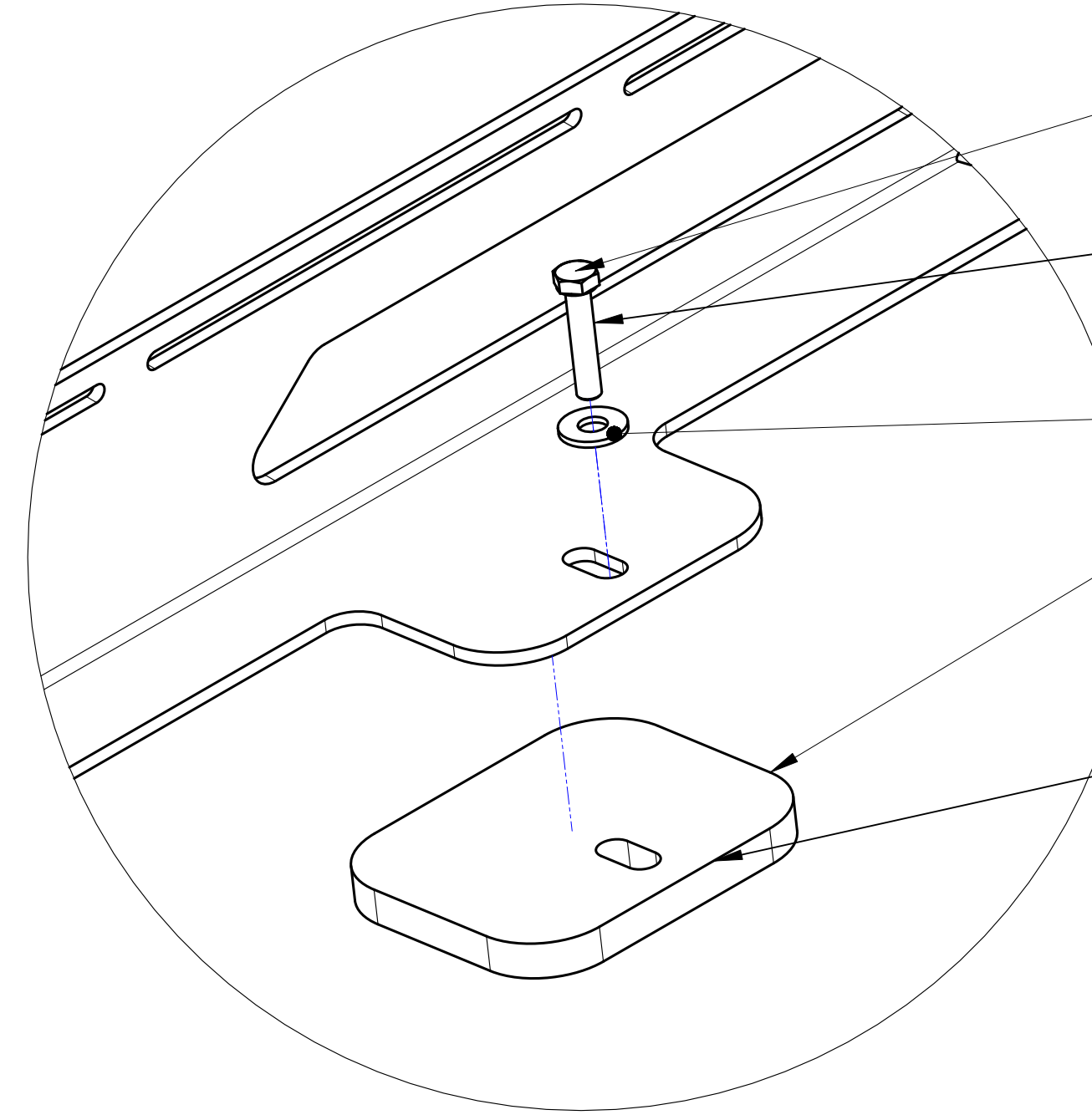


STEP# 1: ASSEMBLE SIDES



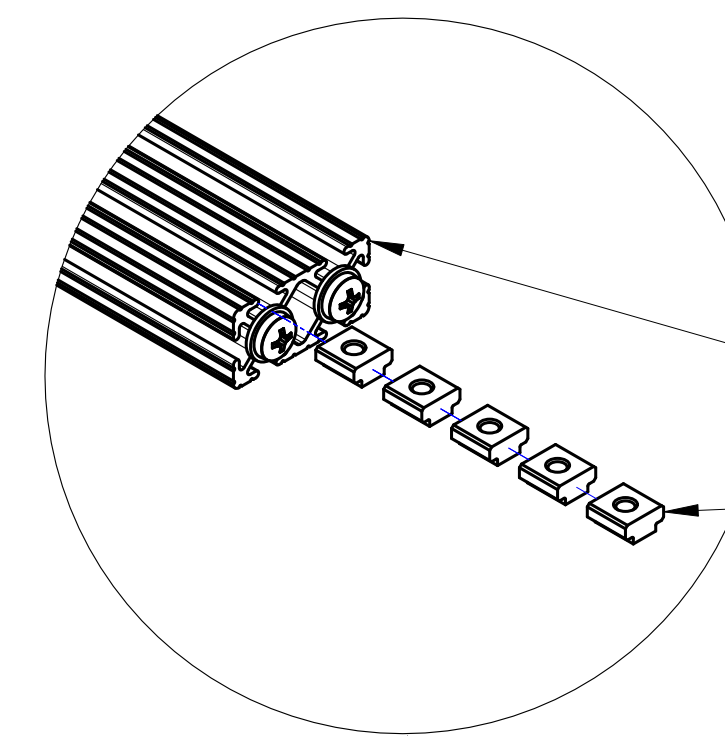
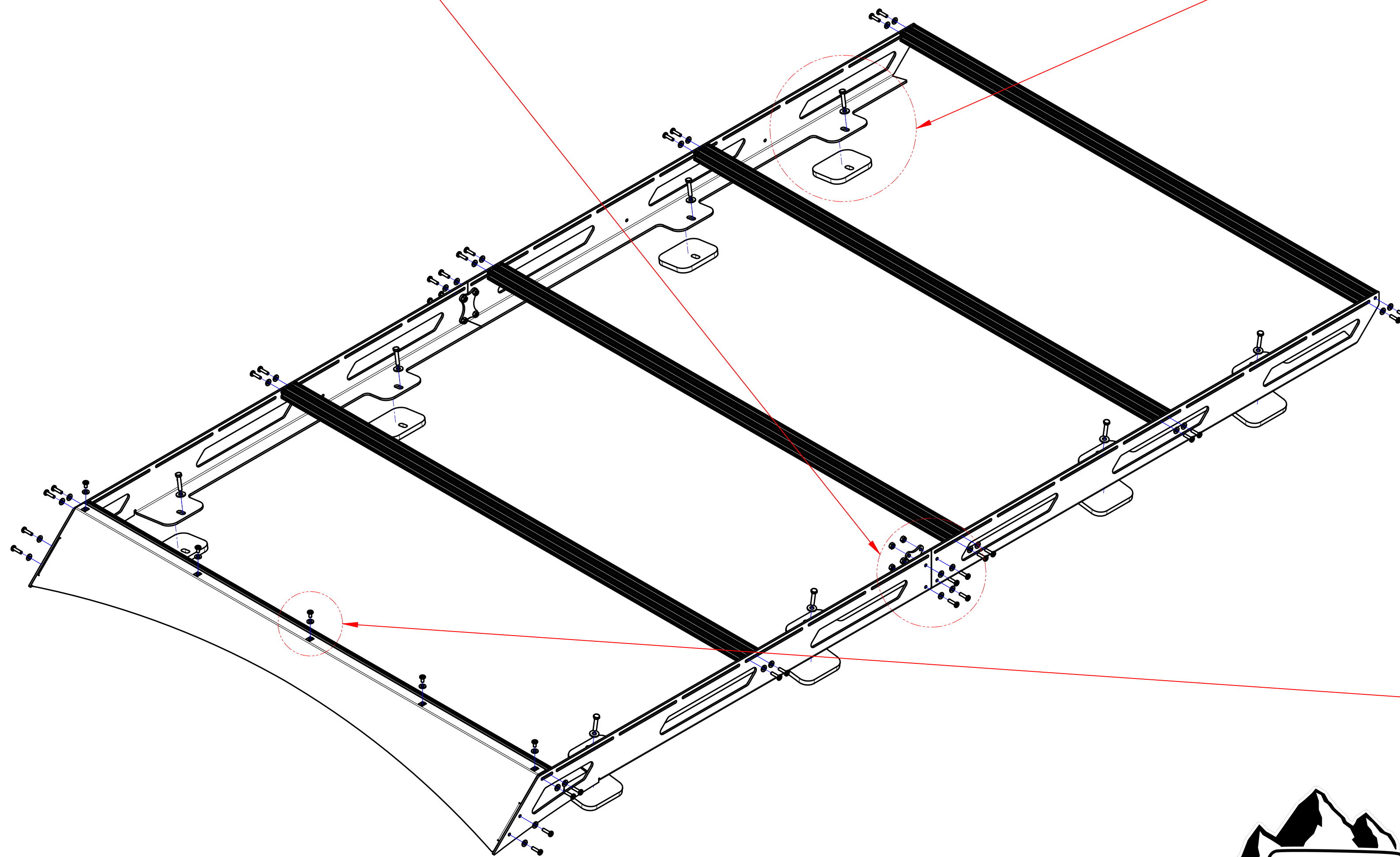
- JOINER PLATE
- 1/4"-20 x 1" S/S B/O T-30
- BLACK 5/8" WASHER
- Nylock Nuts 1/4" - 20

STEP# 2: INSTALL SIDES ON ROOF

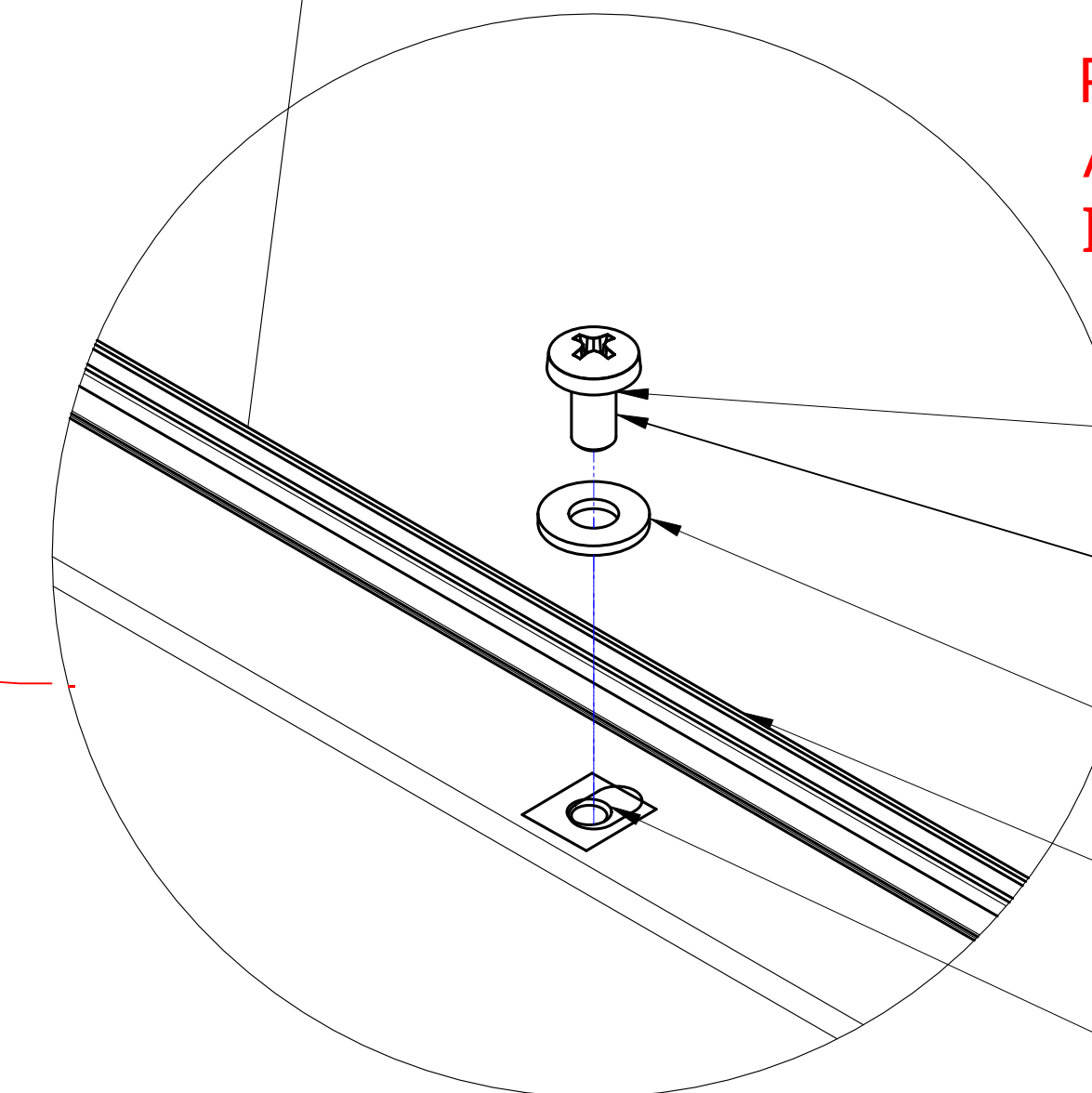


- Hex Bolt M8-40 1.25
- APPLY LOCK TIGHT TO BOLTS BEFORE TIGHTENING
- 5/16" S/S FENDER WASHER
- TRANSIT SPACER FOOT PAD
- ROOF SEALANT UNDER AND ON TOP OF FOOT PAD WE RECOMEND: LAP SEALANT 501LSW

STEP# 3: ATTACH 8020 TO FAIRING

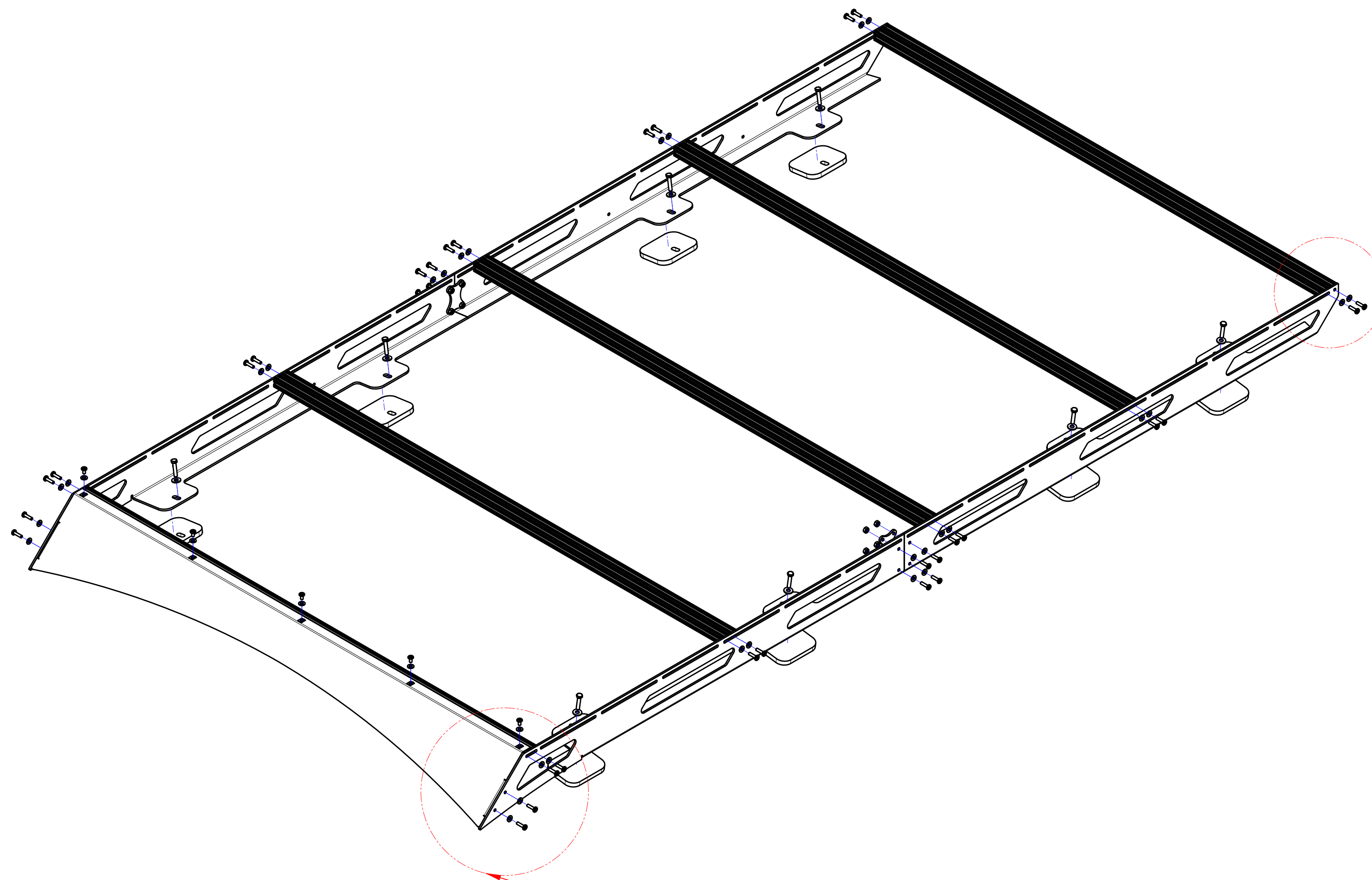


- PART A: SLIDE T-NUTS INTO 8020 RAIL
- 8020 CROSSBARS
- T-Nuts 1/4"-20

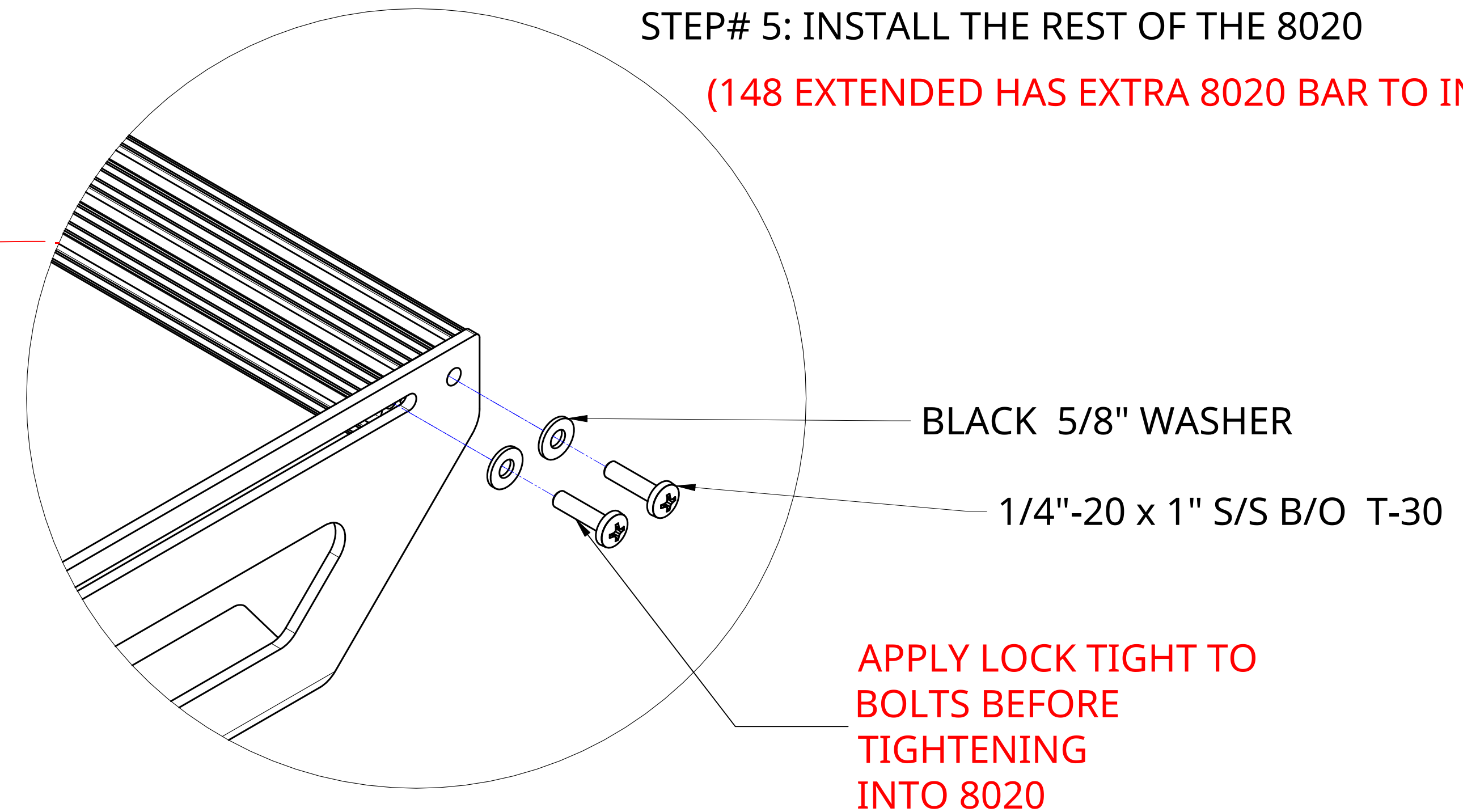


- PART B: ATTACH FAIRING TO 8020 BEFORE INSTALL
- 1/4" - 20 X 1/2" S/S B/O T-30
- APPLY LOCK TIGHT TO BOLTS BEFORE TIGHTENING
- BLACK 5/8" WASHER
- 8020 CROSSBARS
- T-Nuts 1/4"-20

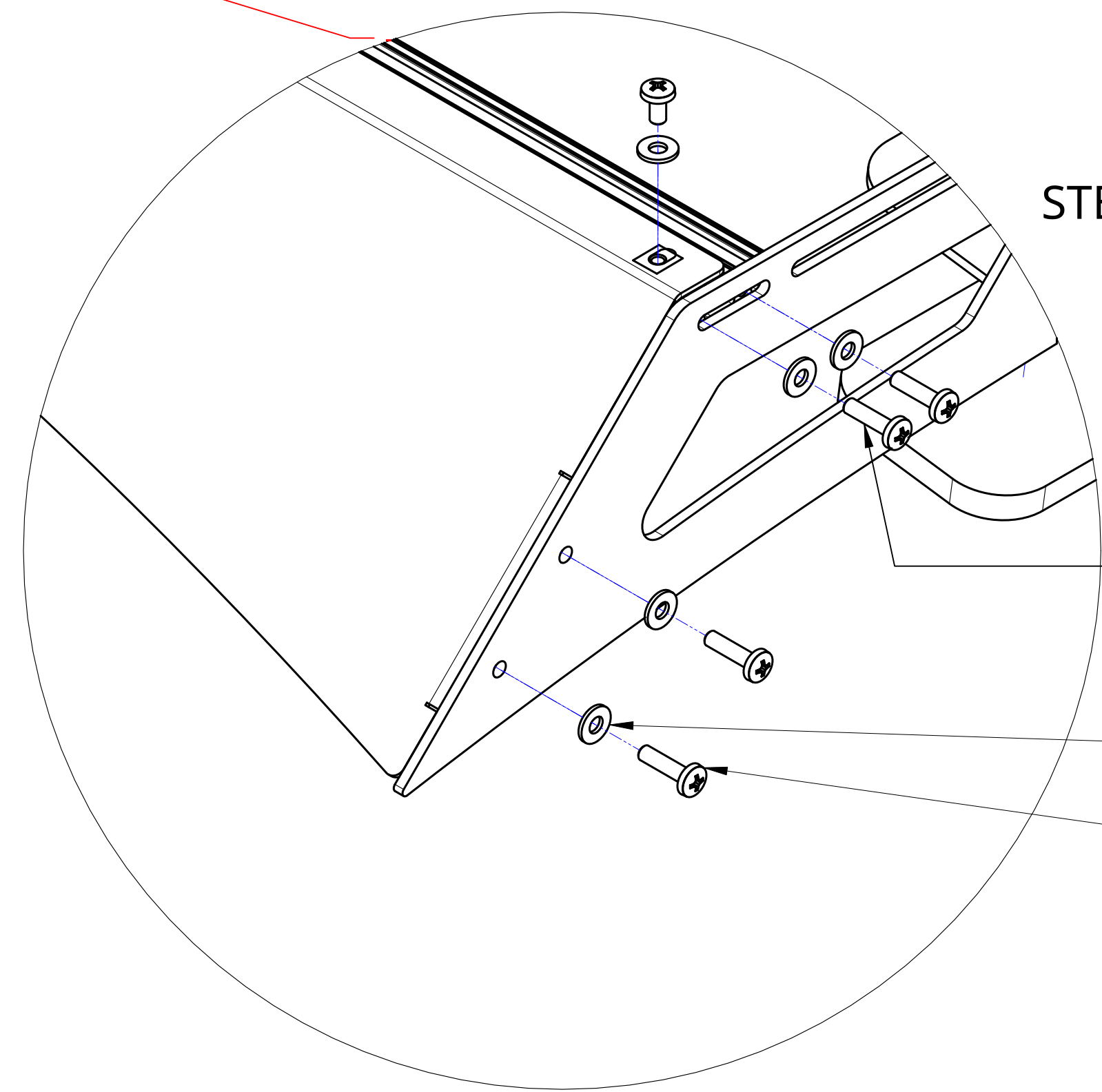




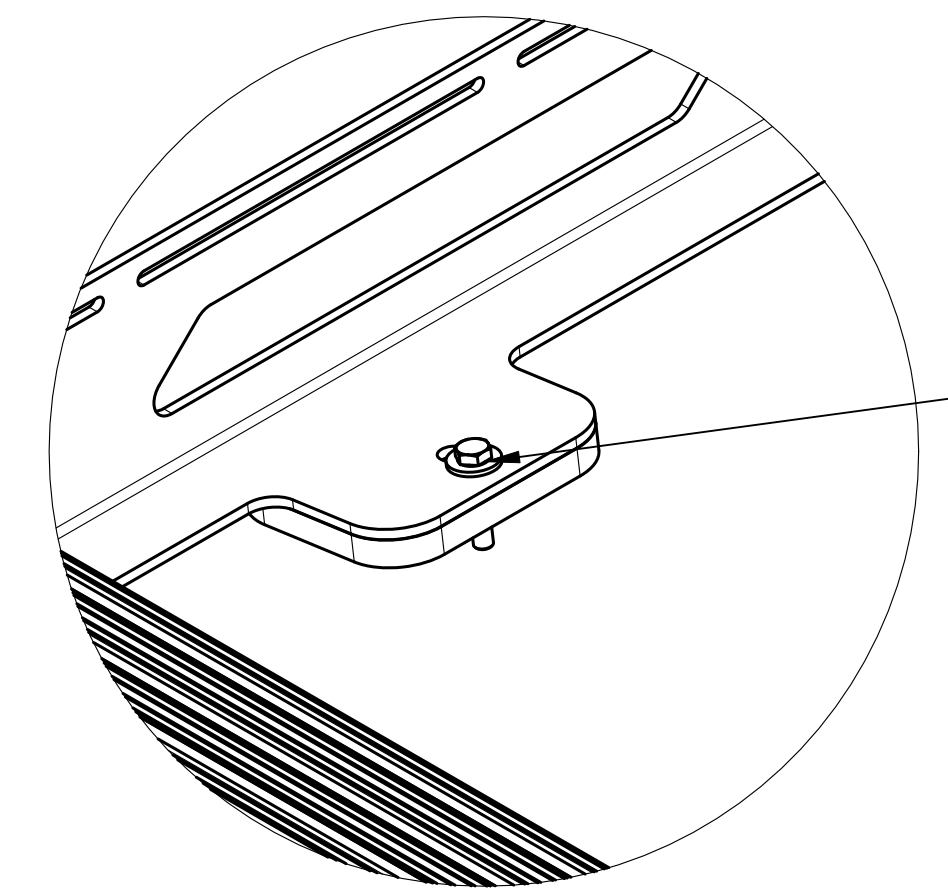
STEP# 5: INSTALL THE REST OF THE 8020  
 (148 EXTENDED HAS EXTRA 8020 BAR TO INSTALL)



BLACK 5/8" WASHER  
 1/4"-20 x 1" S/S B/O T-30  
 APPLY LOCK TIGHT TO BOLTS BEFORE TIGHTENING INTO 8020



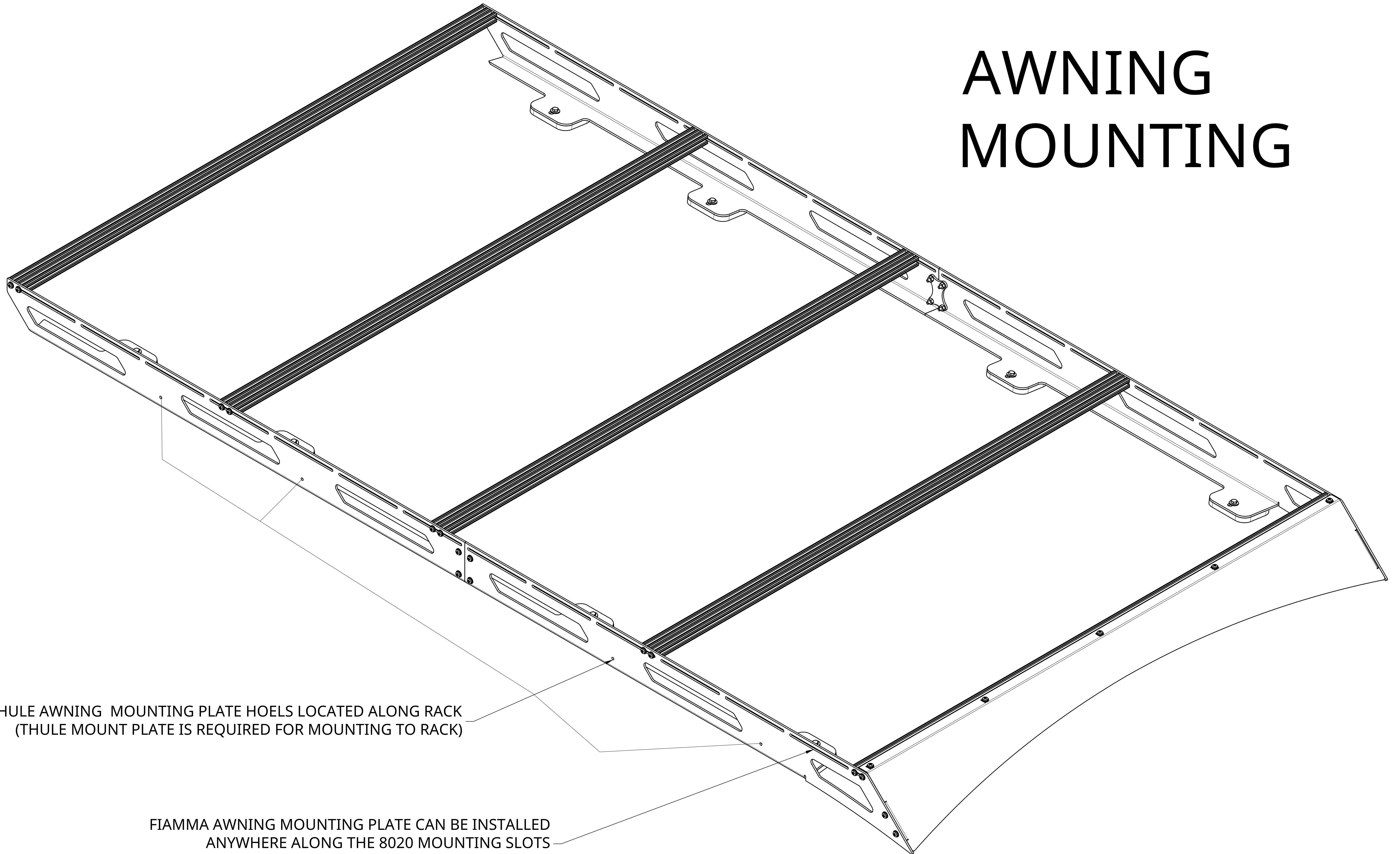
STEP# 4: INSTALL FAIRING  
 THIS STEP IS MUCH EASIER WITH 2 PEOPLE  
 APPLY LOCK TIGHT TO BOLT BEFORE TIGHTENING INTO 8020  
 BLACK 5/8" WASHER  
 1/4"-20 x 1" S/S B/O T-30



STEP# 6: FINAL SEAL  
 USE ROOF SEALANT ON ALL BOLT HEADS AND WASHERS WE RECOMEND: LAP SEALANT 501LSW



# AWNING MOUNTING



THULE AWNING MOUNTING PLATE HOELS LOCATED ALONG RACK  
(THULE MOUNT PLATE IS REQUIRED FOR MOUNTING TO RACK)

FIAMMA AWNING MOUNTING PLATE CAN BE INSTALLED  
ANYWHERE ALONG THE 8020 MOUNTING SLOTS  
(FIAMMA MOUNTING PLATE REQUIRED FOR MOUNTING TO RACK)