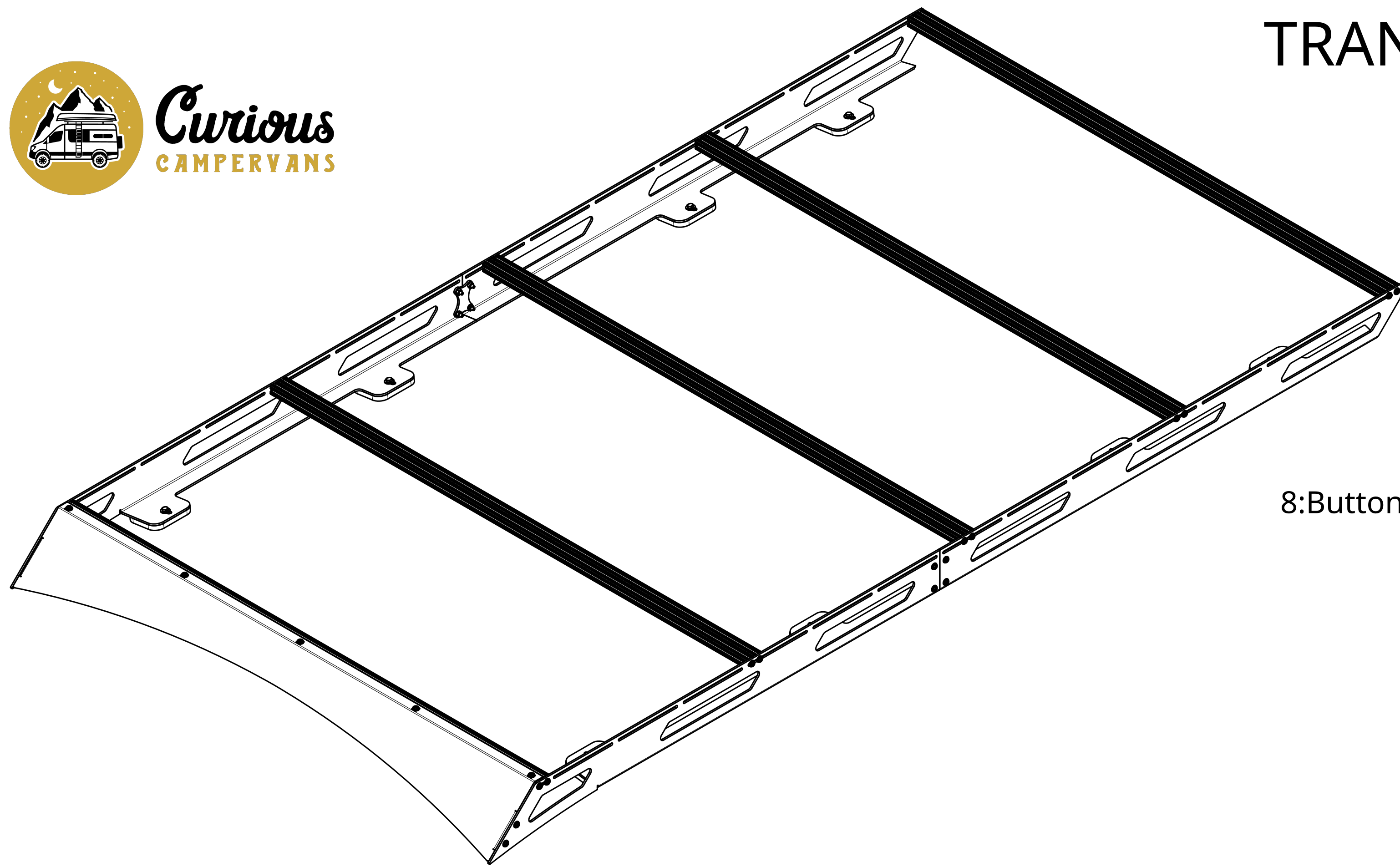
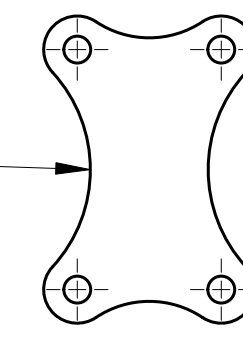




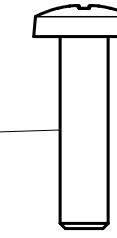
# TRANSIT 148 & 148 EXTENDED INSTALL INSTRUCTIONS



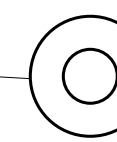
7: JOINER PLATE



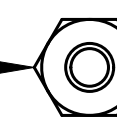
8: Button Head Socket Cap Screw 1/4"-20 x 1"



9: Flat Washers 1/4" - 20 x 5/8"

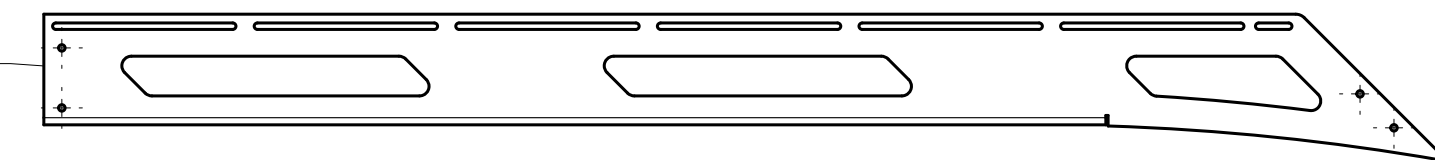


10: Nylock Nuts 1/4" - 20

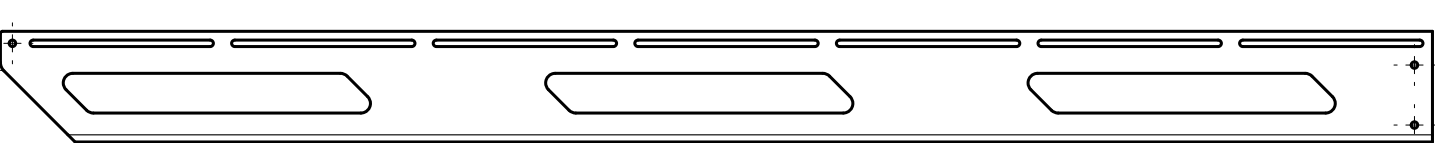


Item	Quantity	Description
1	1	148 TRANSIT HIGHROOF PS FRONT
2	1	148 TRANSIT HIGHROOF PS BACK
3	1	148 TRANSIT HIGHROOF DS FRONT
4	1	148 TRANSIT HIGHROOF DS BACK
5	1	TRANSIT ROOF RACK FAIRING
6	5	8020 CROSSBARS
7	2	JOINER PLATE
8	32	Button Head Socket Cap Screw 1/4"-20 x 1"
9	37	Flat Washers 1/4" - 20 x 5/8"
10	12	Nylock Nuts 1/4" - 20
11	8	Flat washer 5/16 Stainless Steel
12	8	Hex Bolt M8-40 1.25P A2 S/S
13	8	TRANSIT SPACER FOOT PAD
14	5	Phil-Pan Bolts 1/4" - 20 X 1/2"
15	5	T-Nuts 1/4"-20

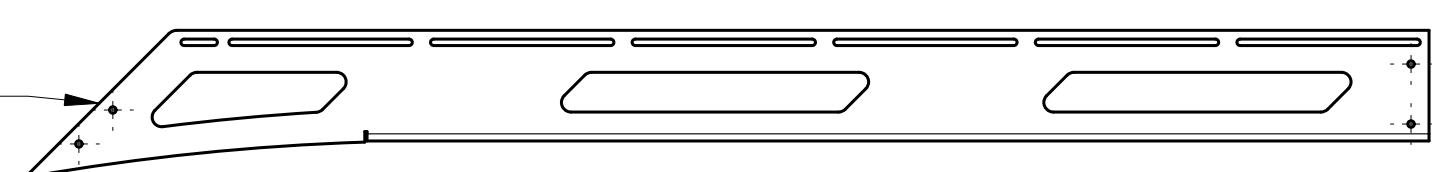
1: 148 TRANSIT HIGHROOF PS FRONT



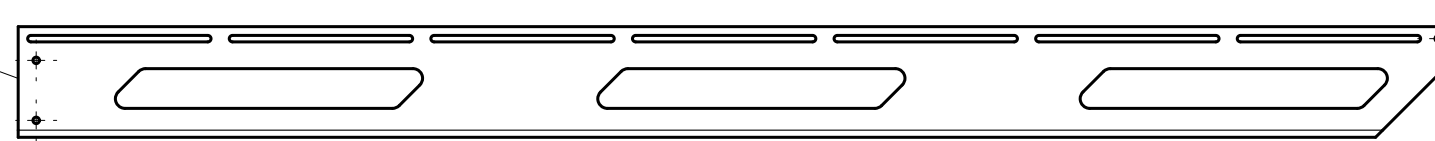
2: 148 TRANSIT HIGHROOF PS BACK



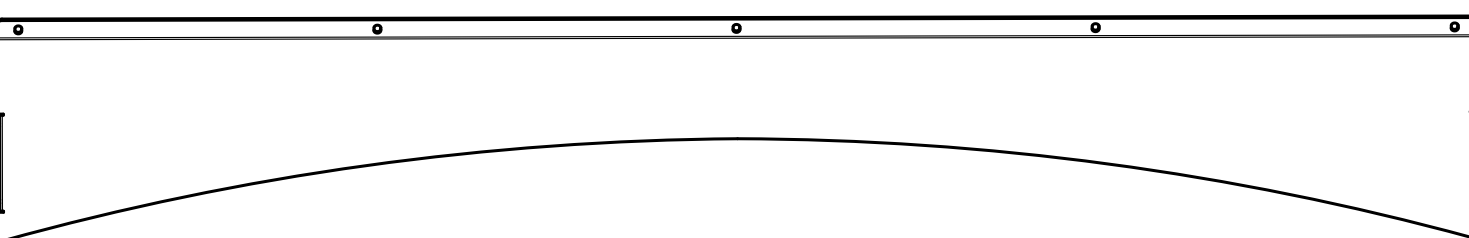
3: 148 TRANSIT HIGHROOF DS FRONT



4: 148 TRANSIT HIGHROOF DS BACK



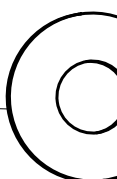
5: TRANSIT ROOF RACK FAIRING



6: 8020 CROSSBARS



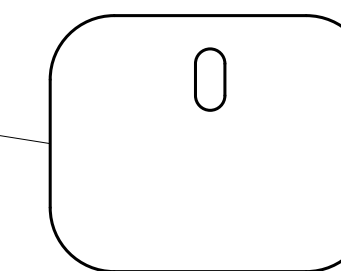
11: Flat washer 5/16 Stainless Steel



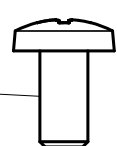
12: Hex Bolt M8-40 1.25P A2 S/S



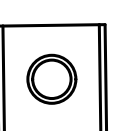
13: TRANSIT SPACER FOOT PAD



14: Phil-Pan Bolts 1/4" - 20 X 1/2"



15: T-Nuts 1/4"-20

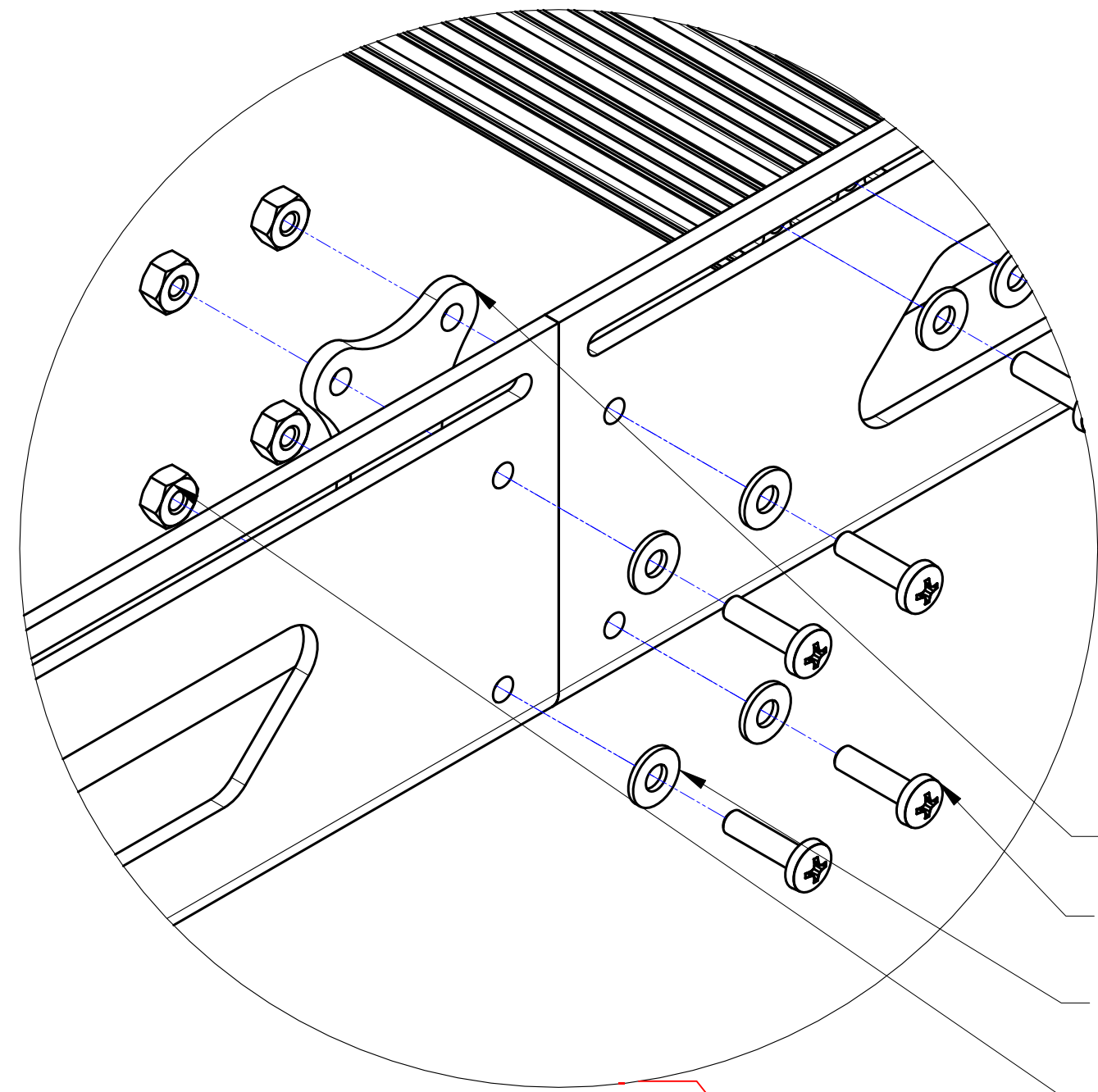


## EXTRA FOR 148 EXTENDED

Quantity	Description
2	TRANSIT SPACER FOOT PAD
4	Button Head Socket Cap Screw 1/4"-20 x 1"
4	Flat Washers 1/4" - 20 x 5/8"
1	8020 CROSSBARS
2	Hex Bolt M8-40 1.25P A2 S/S
2	Flat washer 5/16 Stainless Steel

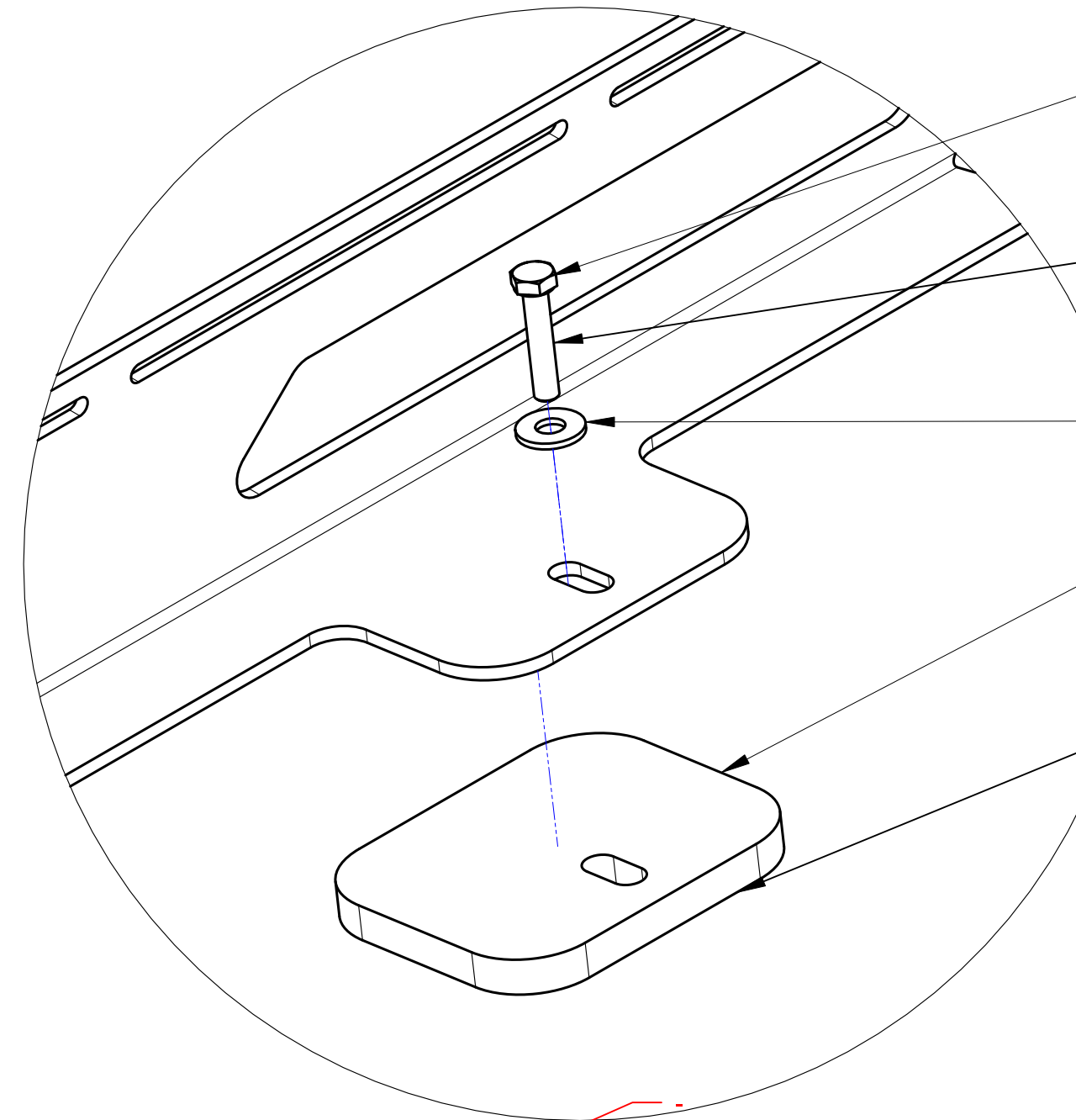


STEP# 1: ASSEMBLE SIDES



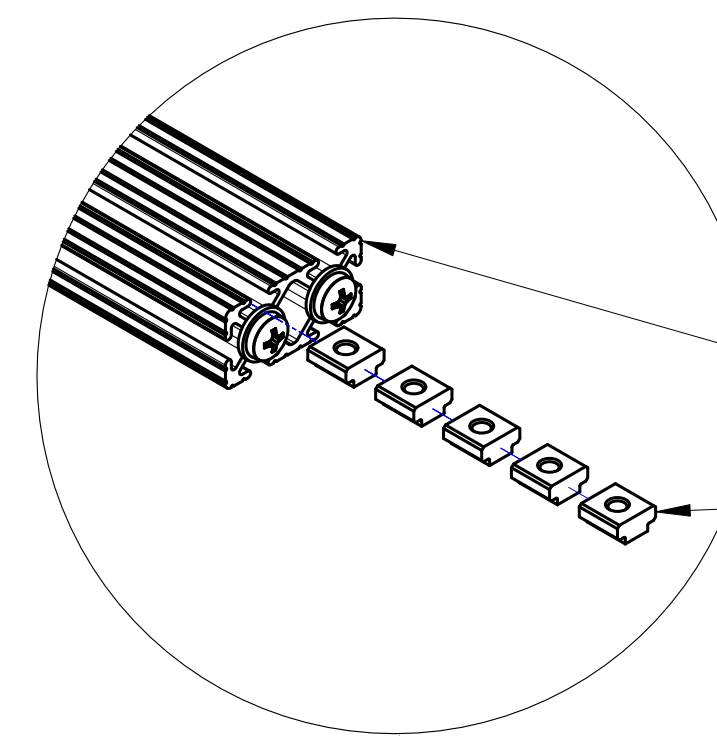
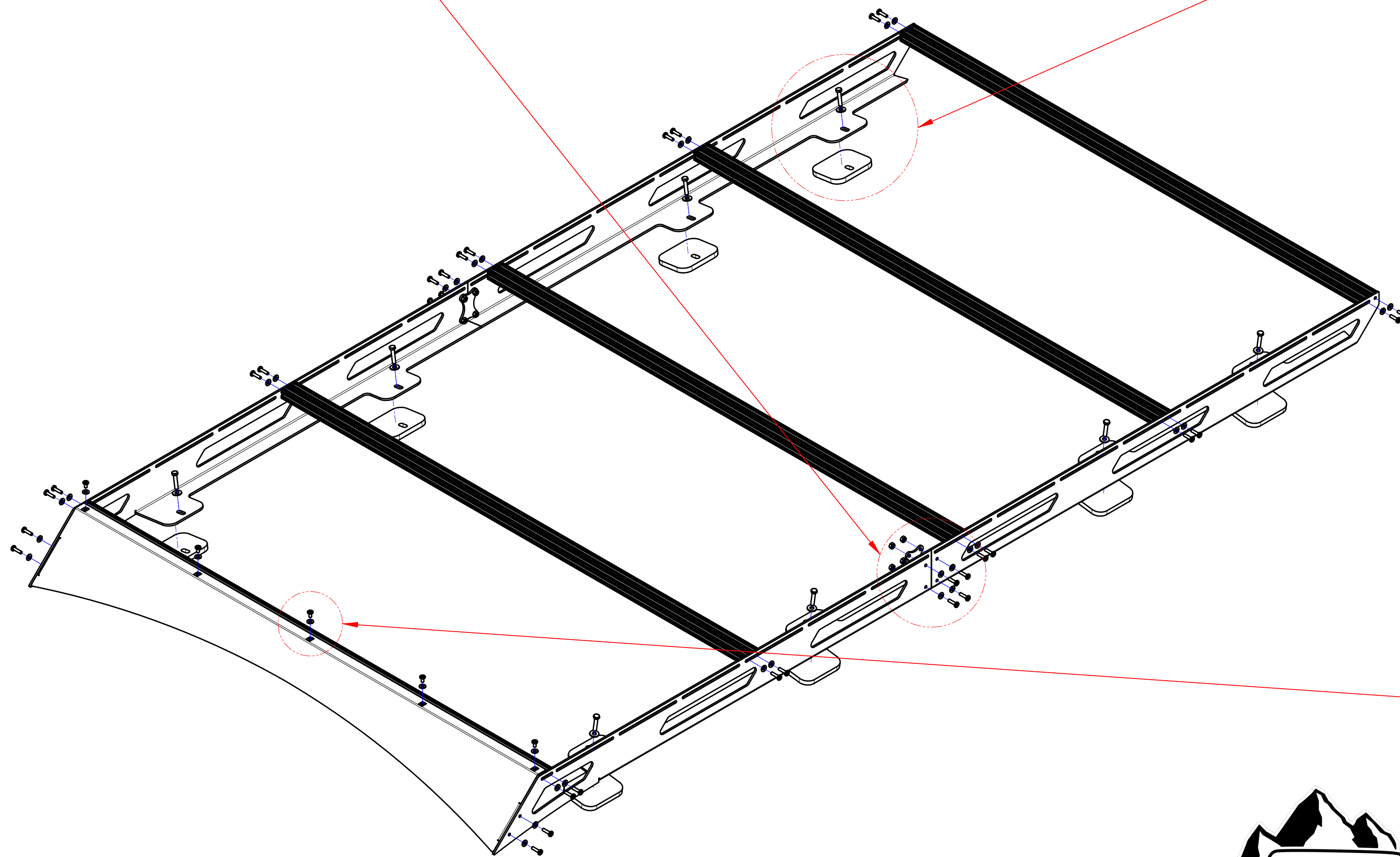
- JOINER PLATE
- Button Head Socket Cap Screw 1/4"-20 x 1"
- Flat Washers 1/4" - 20 x 5/8"
- Nylock Nuts 1/4" - 20

STEP# 2: INSTALL SIDES ON ROOF



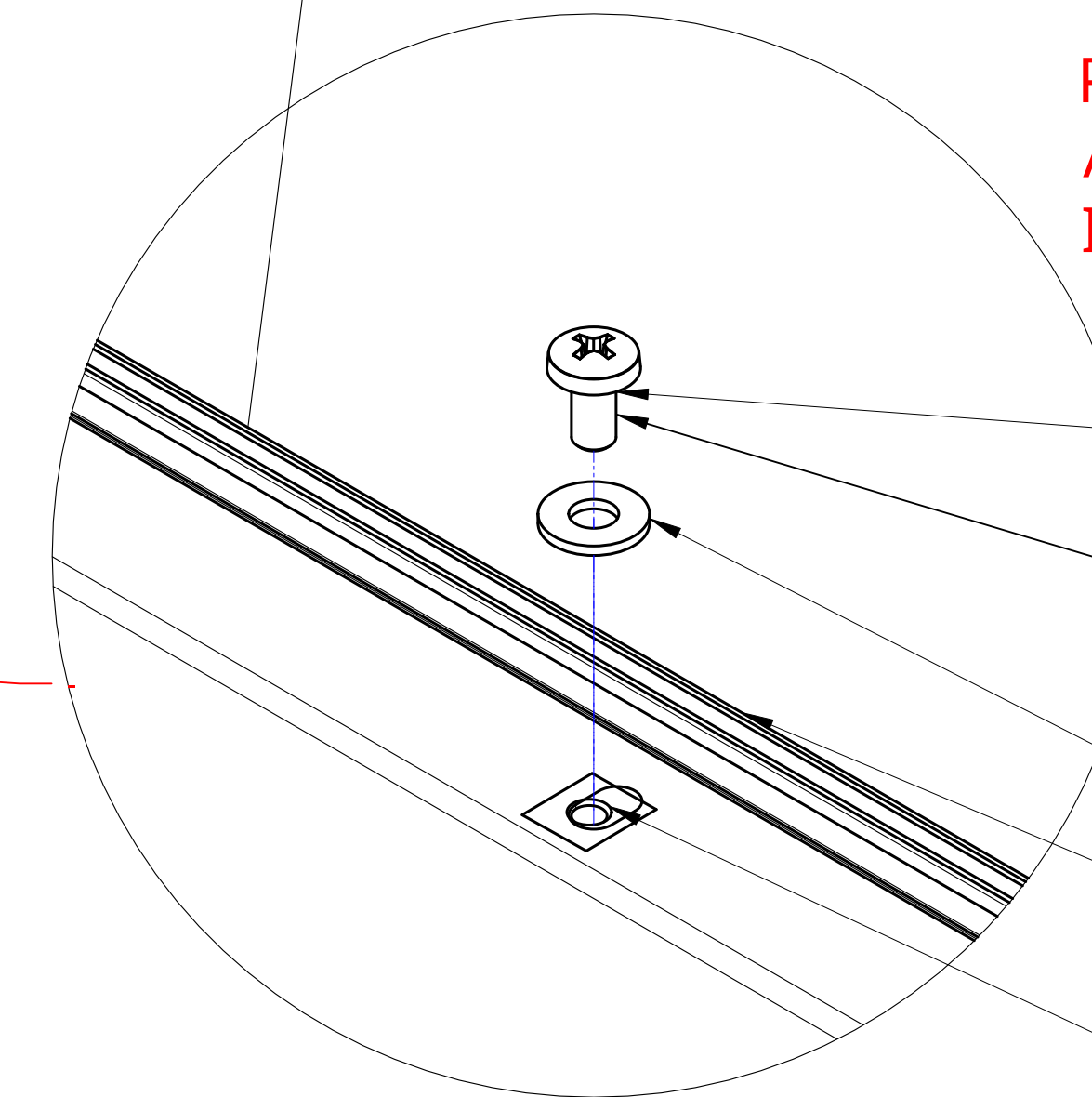
- Hex Bolt M8-40 1.25P A2 S/S
- APPLY LOCK TIGHT TO BOLTS BEFORE TIGHTENING
- Flat washer 5/16 Stainless Steel
- TRANSIT SPACER FOOT PAD
- ROOF SEALANT UNDER AND ON TOP OF FOOT PAD

STEP# 3: ATTACH 8020 TO FAIRING



PART A:  
SLIDE T-NUTS INTO 8020 RAIL

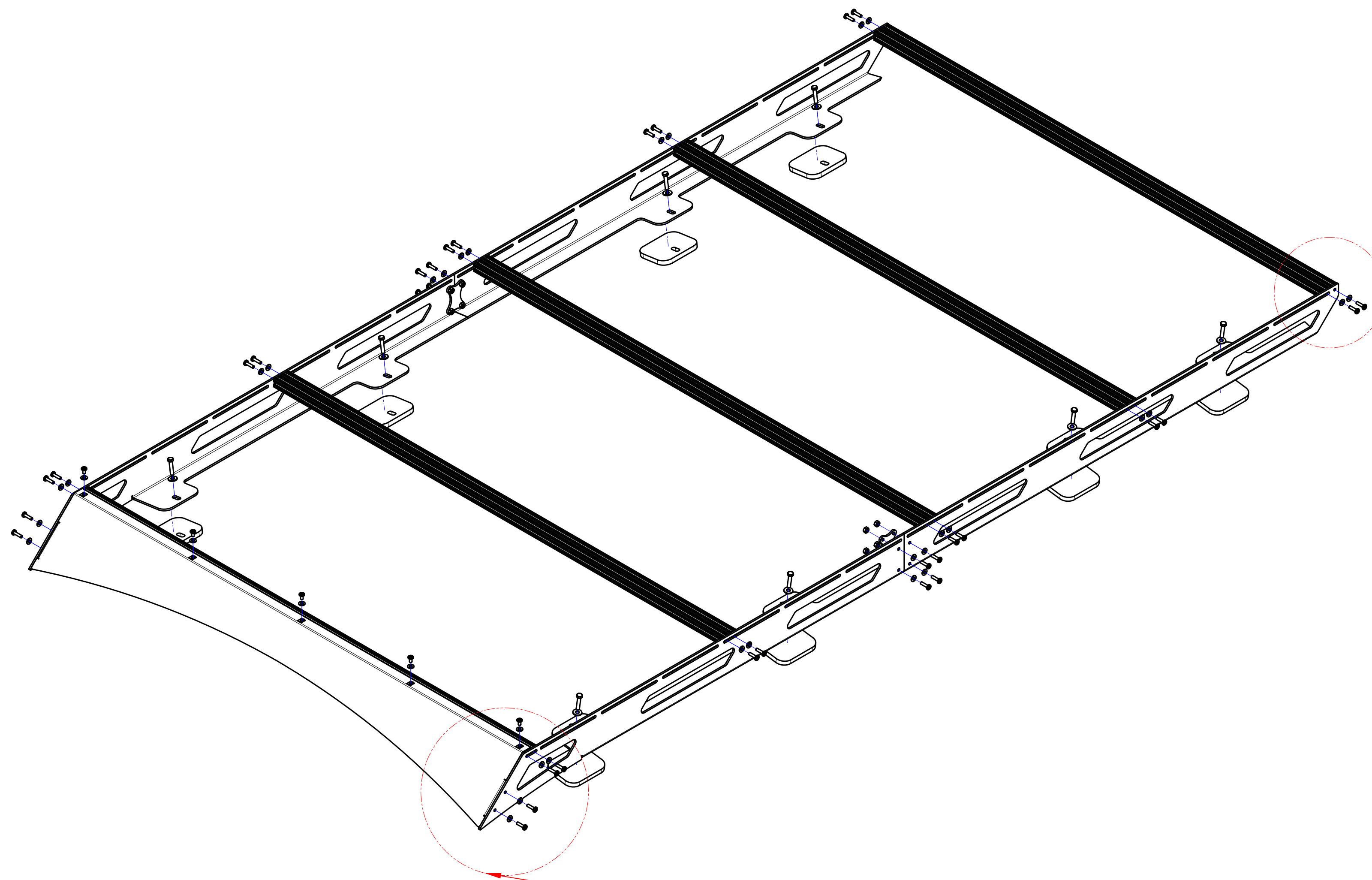
- 8020 CROSSBARS
- T-Nuts 1/4"-20



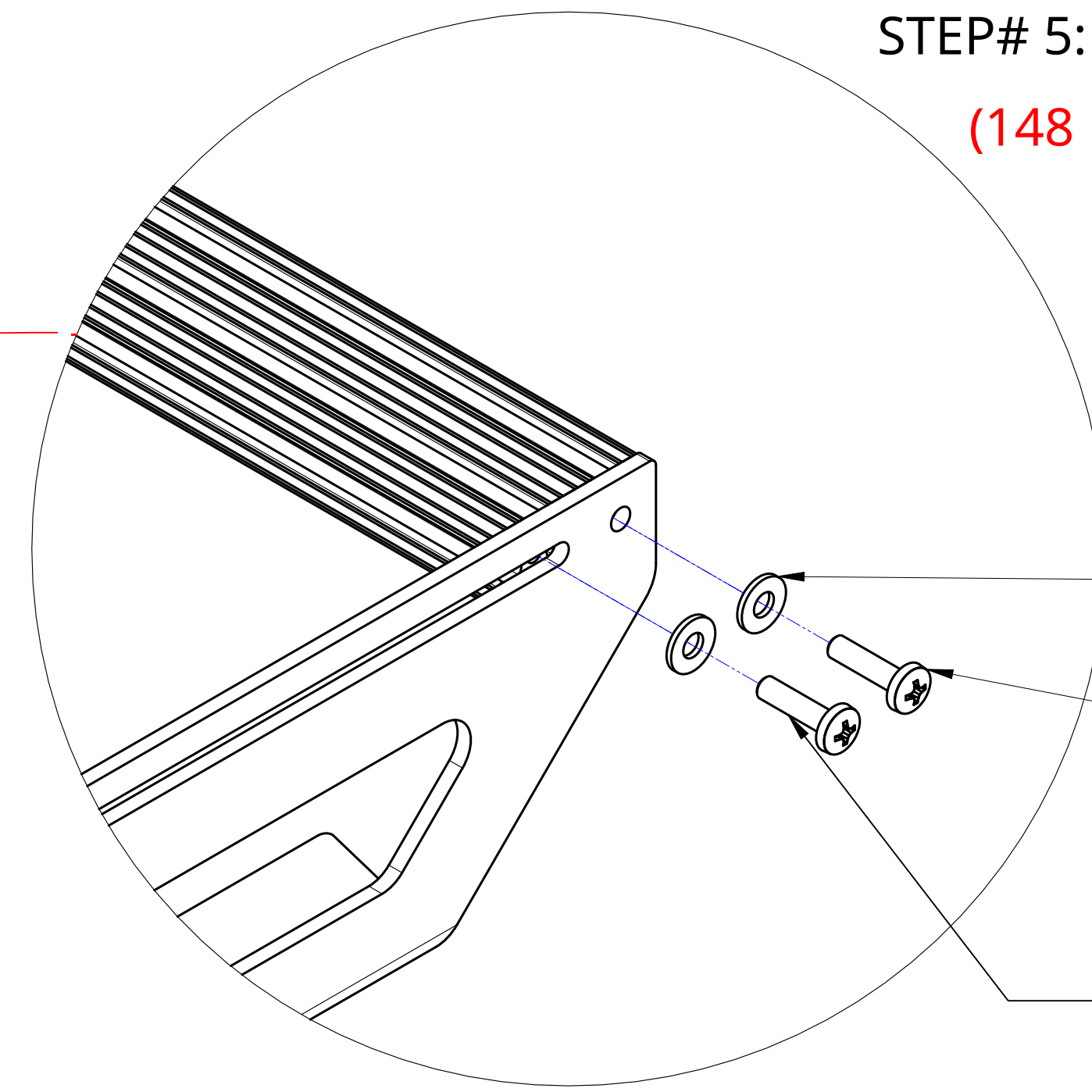
PART B:  
ATTACH FAIRING TO 8020 BEFORE INSTALL

- Phil-Pan Bolts 1/4" - 20 X 1/2"
- APPLY LOCK TIGHT TO BOLTS BEFORE TIGHTENING
- Flat Washers 1/4" - 20 x 5/8"
- 8020 CROSSBARS
- T-Nuts 1/4"-20





STEP# 5: INSTALL THE REST OF THE 8020  
 (148 EXTENDED HAS EXTRA 8020 BAR TO INSTALL)

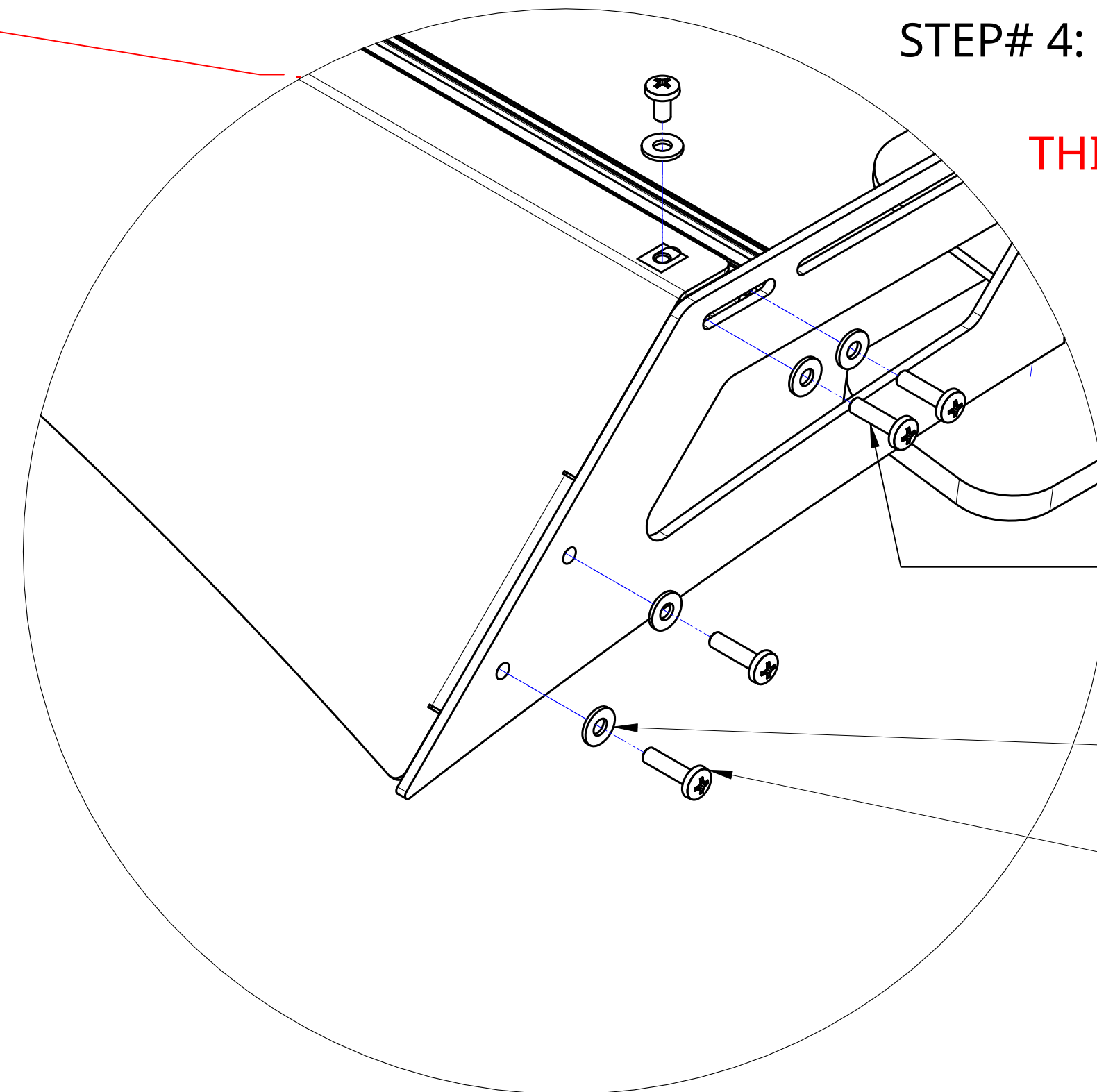


Flat Washers 1/4" - 20 x 5/8"  
 Button Head Socket Cap Screw 1/4"-20 x 1"

APPLY LOCK TIGHT TO  
 BOLTS BEFORE  
 TIGHTENING  
 INTO 8020

STEP# 4: INSTALL FAIRING

THIS STEP IS MUCH EASIER WITH 2 PEOPLE



APPLY LOCK TIGHT TO  
 BOLT BEFORE  
 TIGHTENING  
 INTO 8020

Flat Washers 1/4" - 20 x 5/8"  
 Button Head Socket Cap Screw 1/4"-20 x 1"

