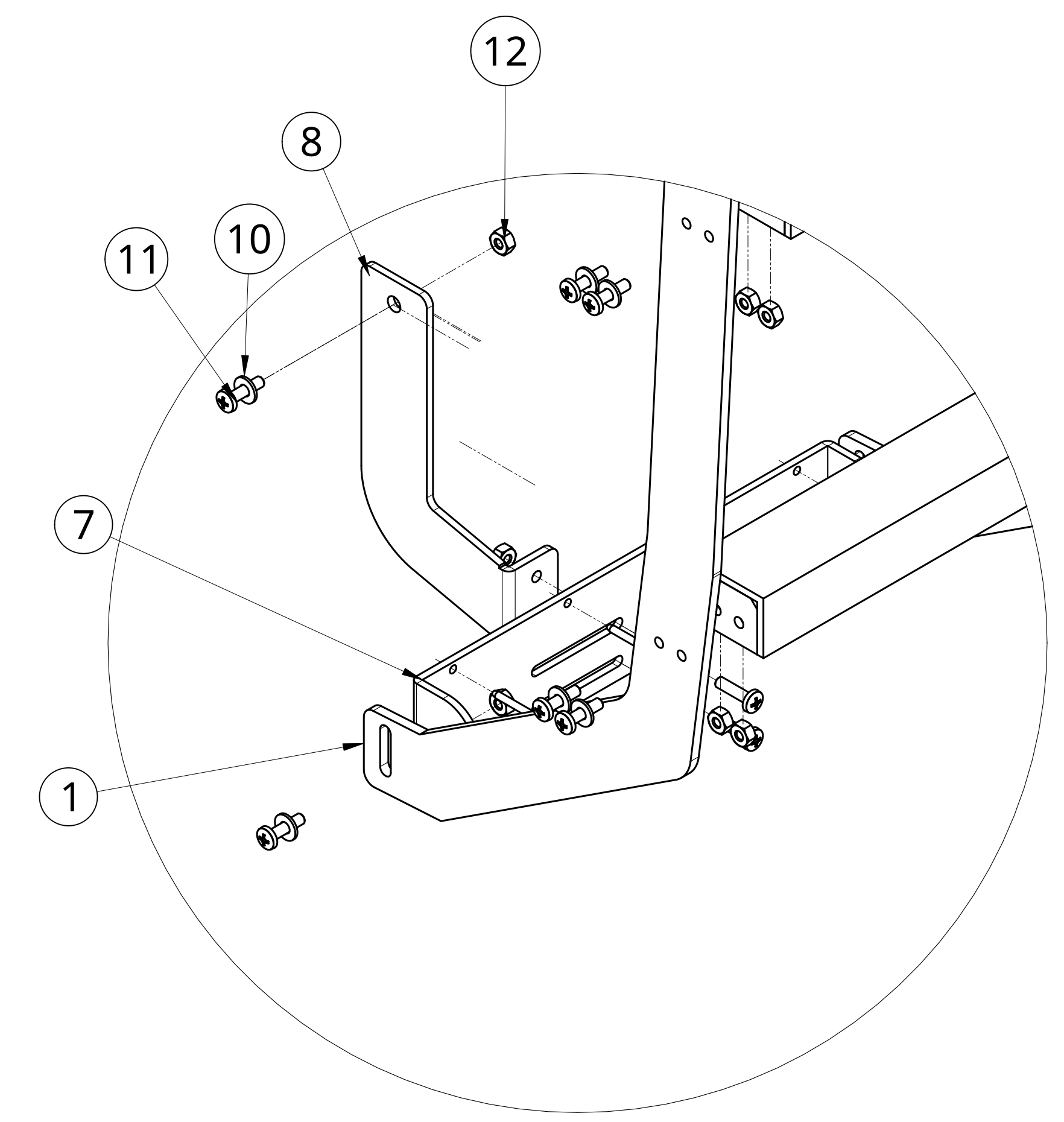
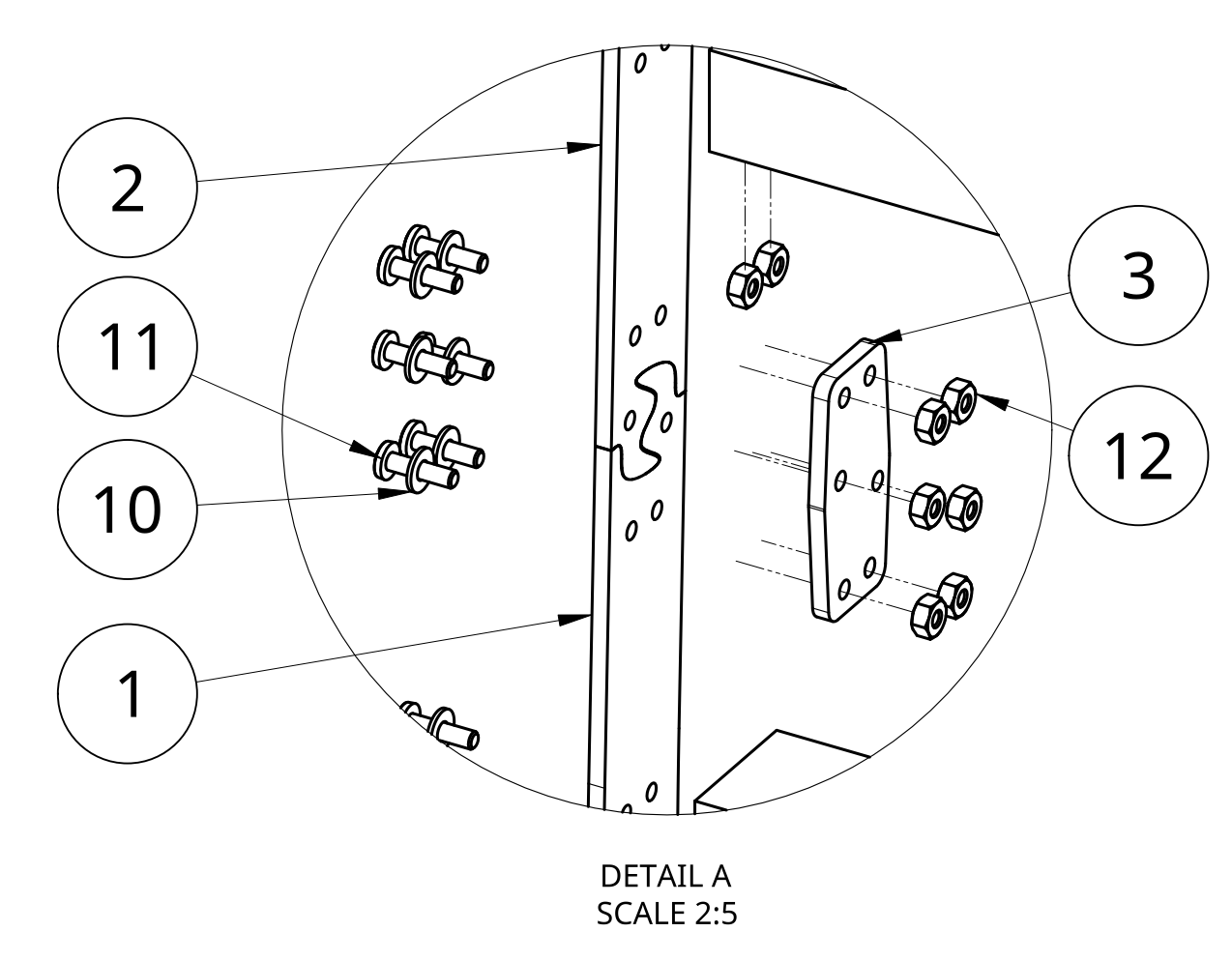
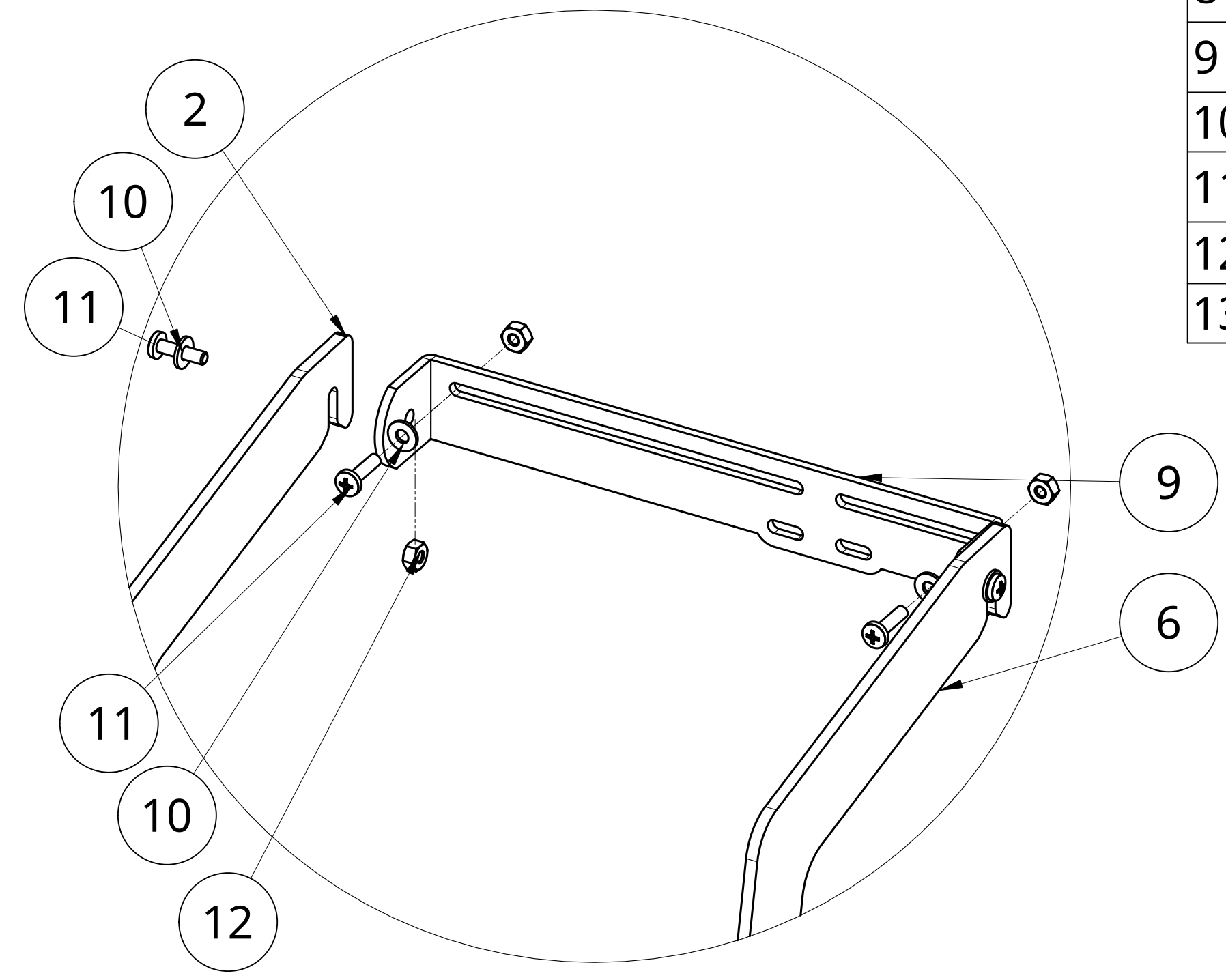
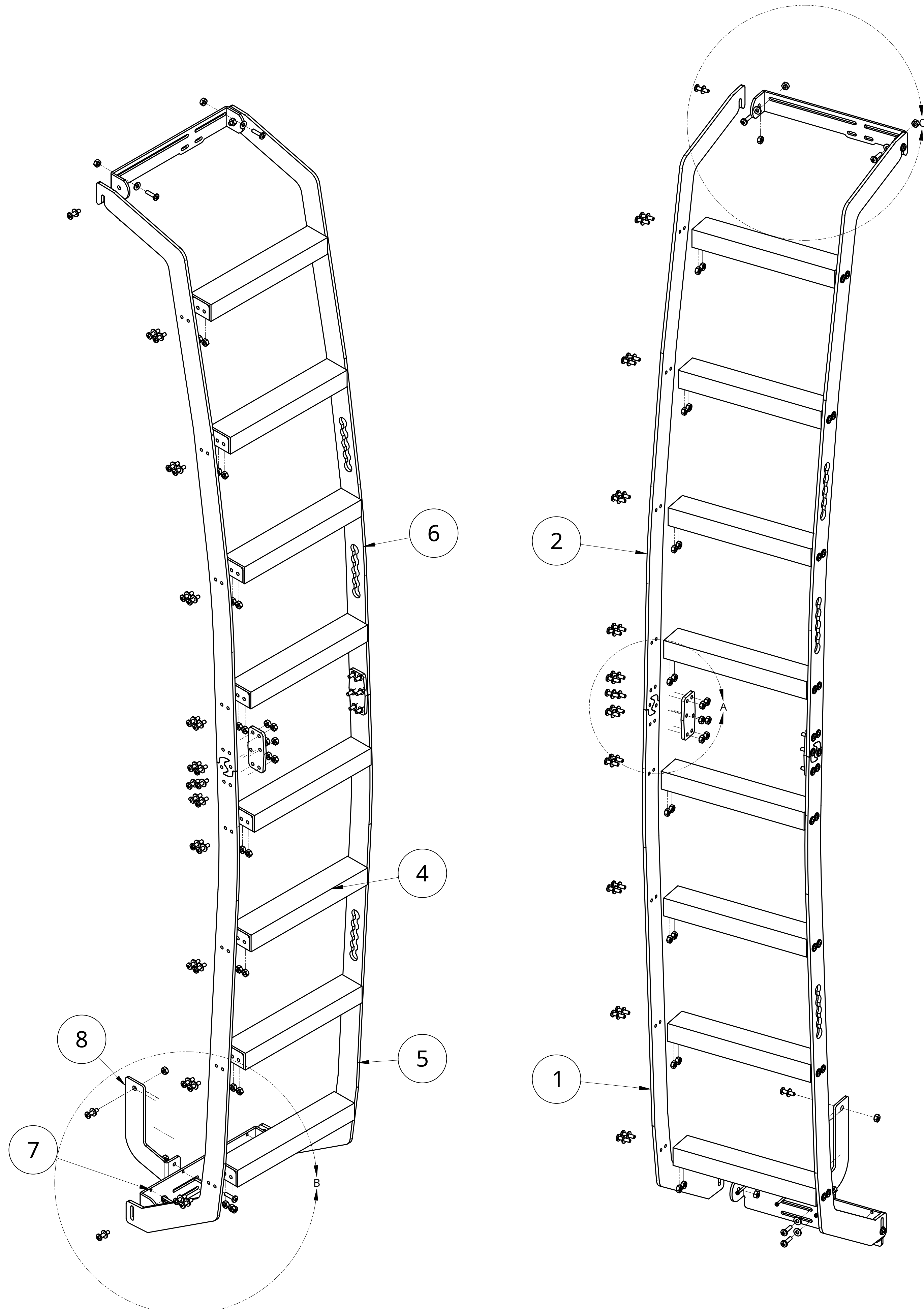
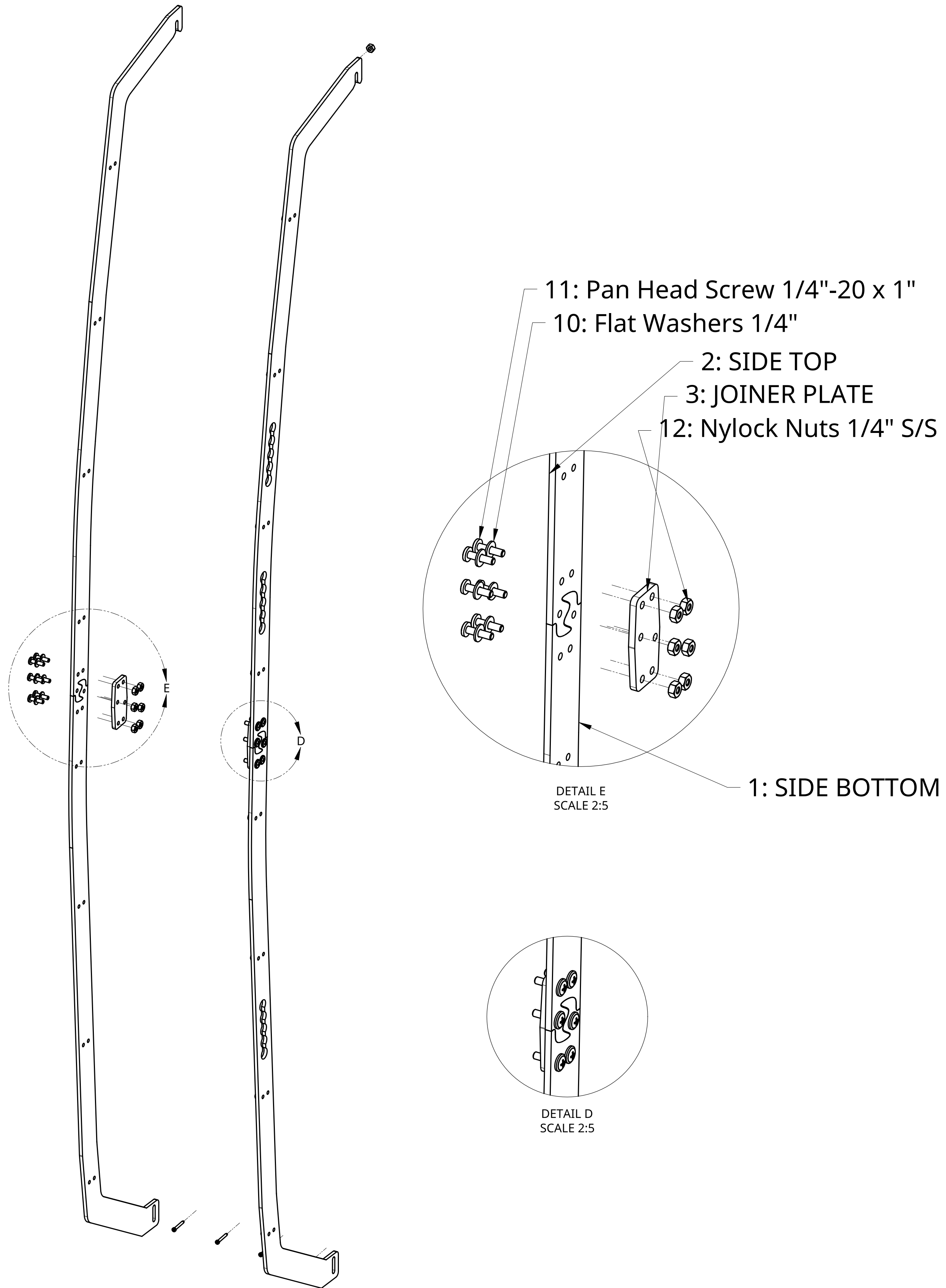


# SPRINTER LADDER INSTALL INSTRUCTIONS

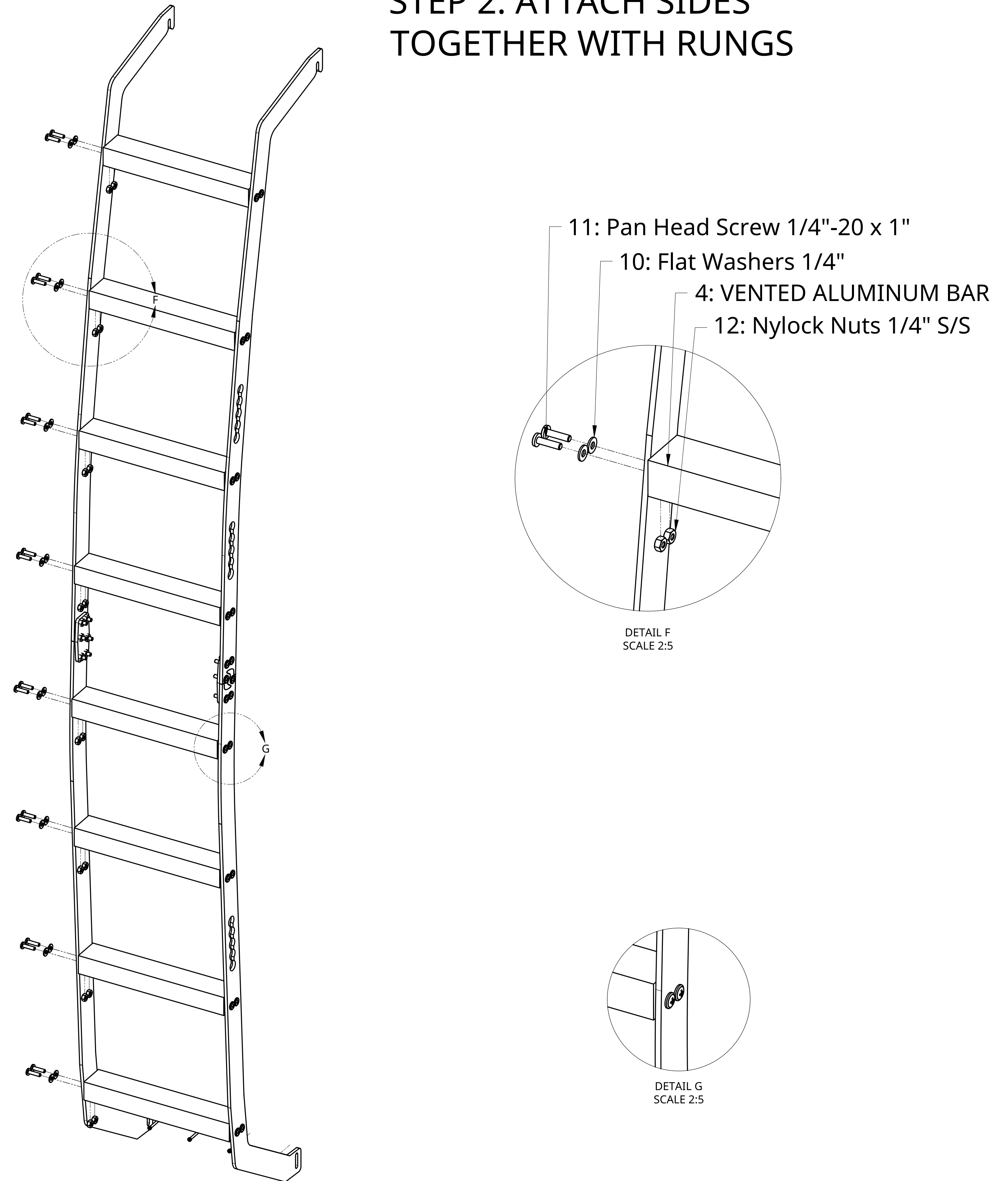
Item	Quantity	Description
1	1	SIDE BOTTOM
2	1	SIDE TOP
3	2	JOINER PLATE
4	8	VENTED ALUMINUM BAR
5	1	L-TRACK SIDE BOTTOM
6	1	L-TRACK SIDE TOP
7	1	BOTTOM MOUNT
8	1	BOTTOM MOUNT SUPPORT
9	1	TOP MOUNT
10	53	Flat Washers 1/4"
11	53	Pan Head Screw 1/4"-20 x 1"
12	53	Nylock Nuts 1/4" S/S
13	4	Tek Screw #8-1HWH SS



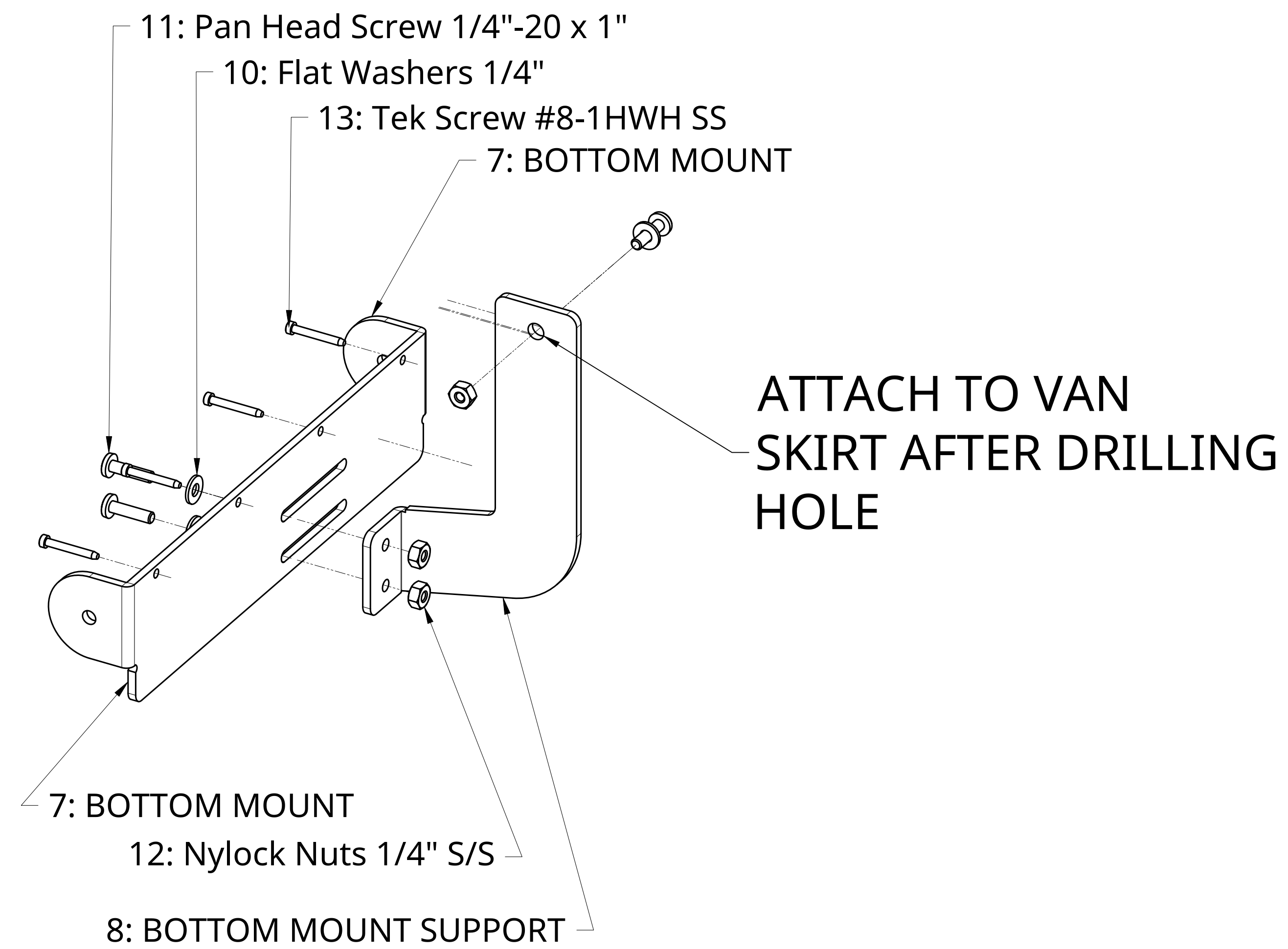
# STEP 1: ASSEMBLE SIDES



# STEP 2: ATTACH SIDES TOGETHER WITH RUNGS



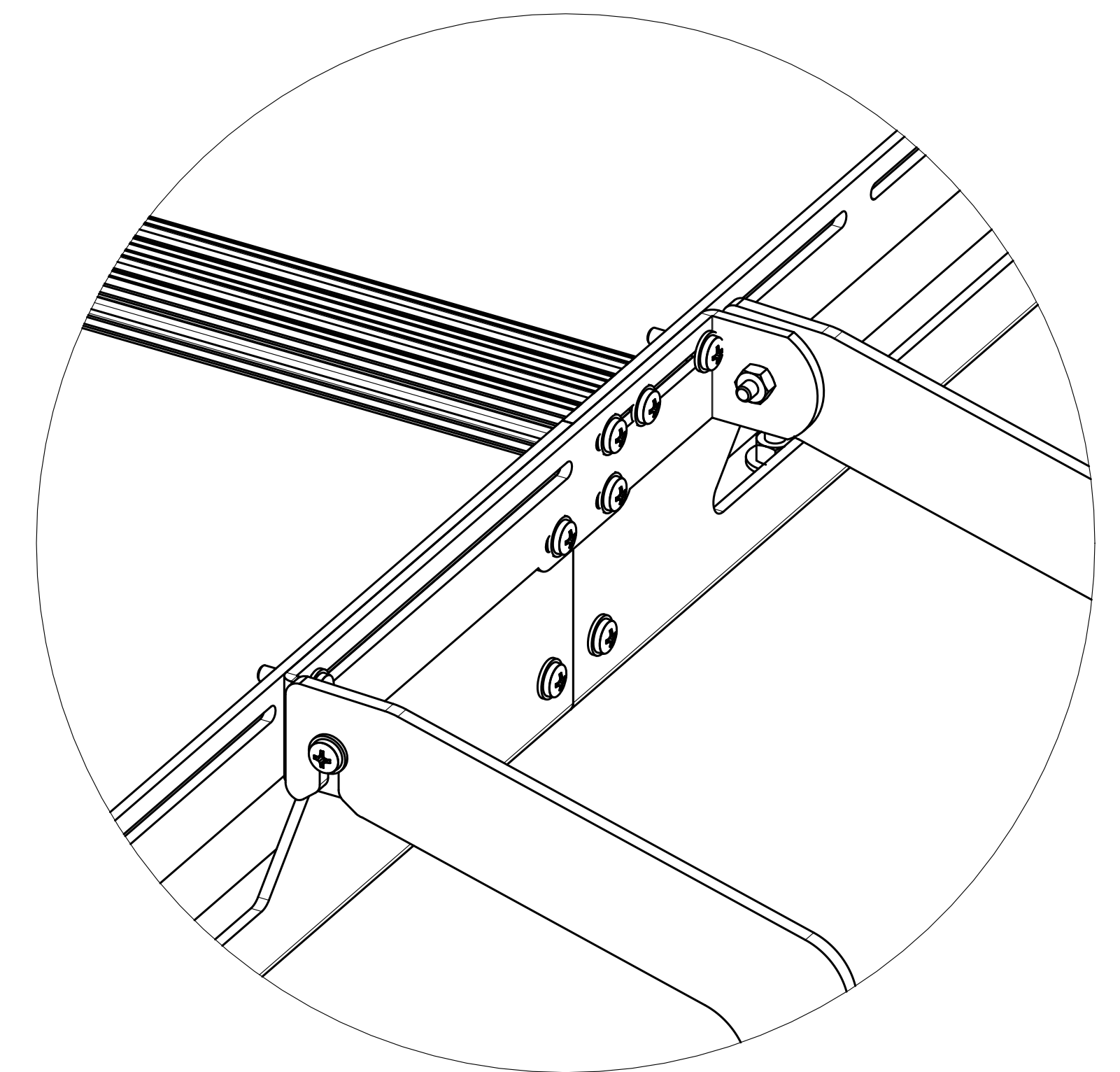
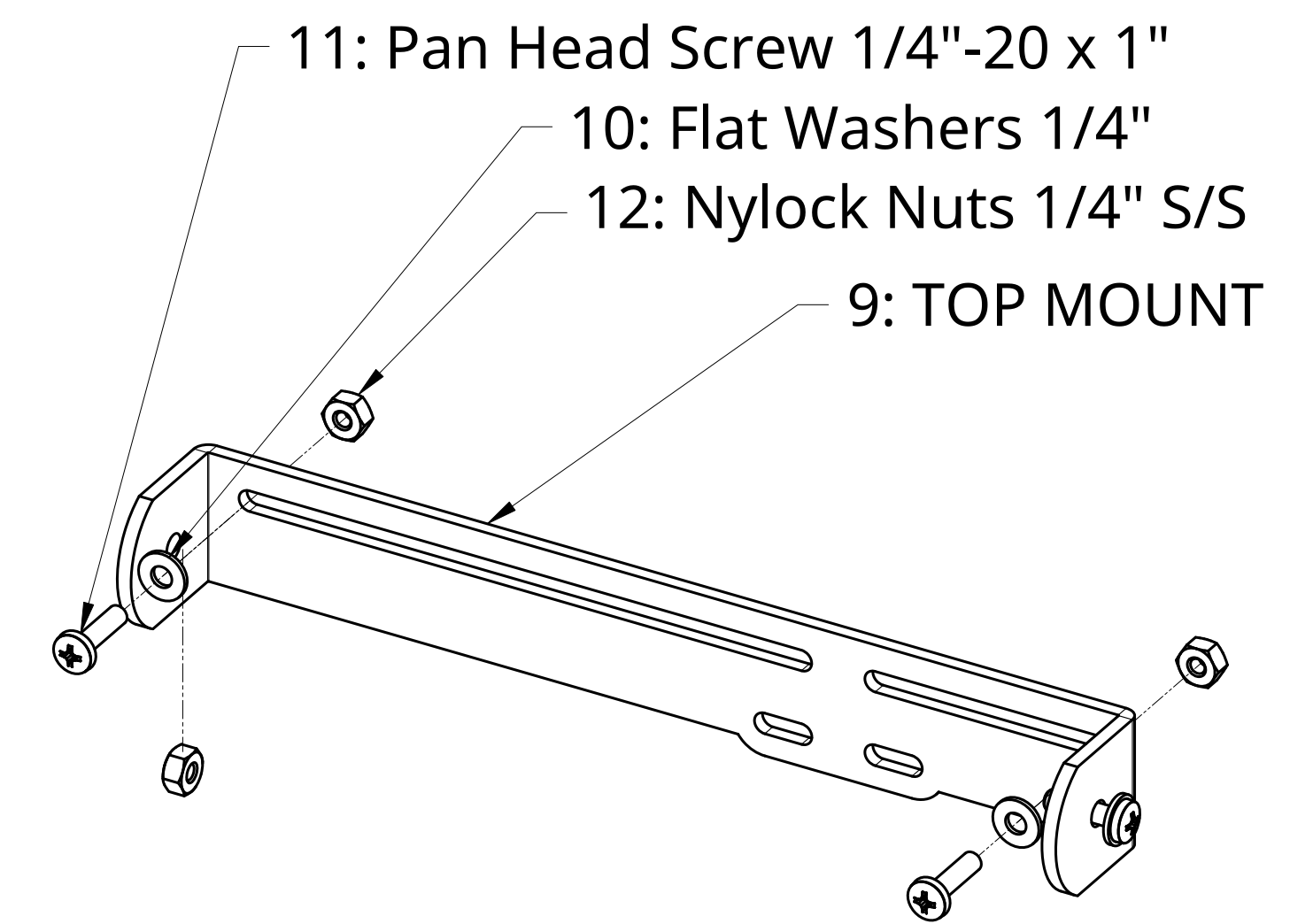
### STEP 3: INSTALL BOTTOM MOUNT



USE THE SELF TAPPING SCREWS PROVIDED TO ATTACH BOTTOM MOUNT TO VAN PINCH WELD.

HOLD THE BOTTOM MOUNT SUPPORT UP TO THE BRACKET TO FIND THE LOCATION TO DRILL THE VANS SKIRT SUPPORT. ONCE DRILLED BOLT THE BOTTOM MOUNT SUPPORT TO THE BOTTOM MOUNT AND THE HOLE THAT WAS JUST DRILLED

### STEP 4: ATTACH THE TOP MOUNT TO THE RACK



STEP 5: ATTACH LADDER TO  
TOP AND BOTTOM BRACKET  
MAKING SURE THE LADDER IS  
VISIBLY STRAIGHT UP AND  
DOWN TIGHTEN ANY BOLTS  
THAT ARE STILL LOOSE

NOTE: SPRINTER 144 RACK  
USED FOR THIS ILLUSTRATION

