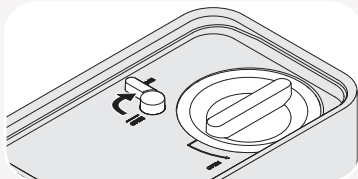


HYPRO WATER filter cartridge no. 201001



Filter change

- Take off the device cover.



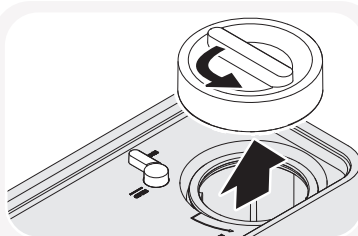
- Turn the shut-off valve into the "CLOSE" position. Never open the screw cap for the filter chamber when pressurised.
- Open the tap for disinfected water until no further water flows out of the tap.
- Close the disinfected water tap again to prevent a backflow of water.

ATTENTION!

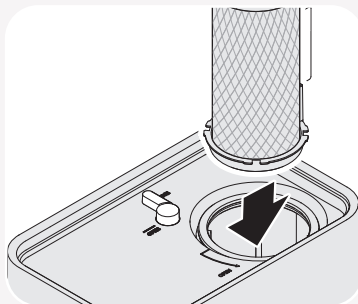
Water leaking out!

Water can run out when the screw cap is opened and the filter is removed. The leaking water may cause property damage.

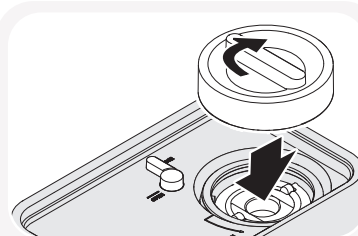
- Clean up any leaked water immediately.



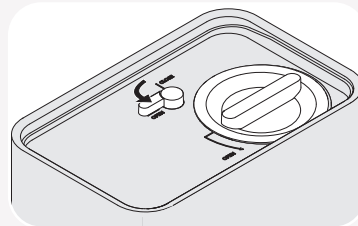
- Open the screw cap for the filter chamber.
- Pull the used filter out of the device by the handle and remove any leaking water.



- Remove the protective film from the new filter.
- Insert the new filter.
- When inserting the filter, carefully press it down until it latches into the device.



- Turn the screw cap for the filter chamber to close it.




- Turn the shut-off valve in the "OPEN" direction.
- Fit the device cover.
- Open the disinfected water tap and allow the water to run for at least 180 seconds, until particles no longer flow out.

If no water flows out:

- Turn the shut-off valve in the "CLOSE" direction and then in the "OPEN" direction.

For detailed information refer to the manual.

 User manual HYPRO WATER.

Filter disposal

The used adsorption material must not be regenerated or reused.

- Dispose of used filters with residual waste.

Customer service centre contact details

Address: HYTECON Entwicklung
und Produktion GmbH
Oststraße 68
32051 Herford
Germany

Internet: www.hytecon.com

E-mail: info@hytecon.com

Telephone: +49 5221 28400 - 0



Tested and Certified by NSF International
against NSF ANSI Standards
42, 53, 401, and 55
in model HYPRO WATER for the reduction
of the claims specified on the
Performance Data Sheet.

REPLACEMENT ELEMENT