



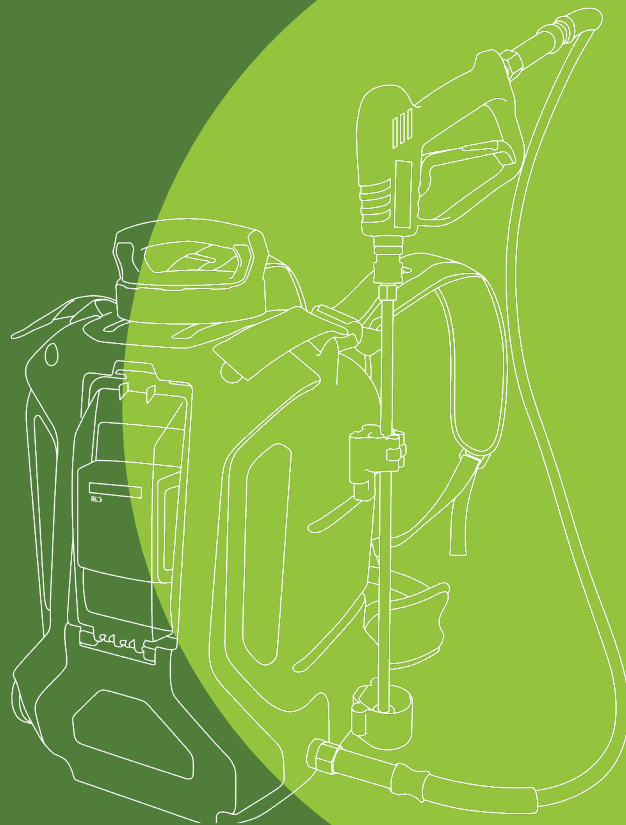
OPERATION GUIDE

Model #: FZVAAK-3

TYPHOON³

**5-POSITION VARIABLE PRESSURE
BATTERY POWERED BACKPACK SPRAYER**

4-GALLON TANK CAPACITY





ATTENTION

Please read the following information carefully. User must read and understand the entire manual before operating the sprayer. Failure to follow instructions or improper use could lead to sprayer failure and possible serious injuries.

- **DO NOT RETURN SPRAYER TO STORE.** If you experience issues or have questions, contact our Support Team M-F 9am-5pm EST at 1-803-339-2500 or email support@wessol.com.
- Never spray flammable, caustic, acidic, heat, pressure, or gas producing chemicals.
- Always read and follow chemical manufacturer's instructions before use with this sprayer as some chemicals may be hazardous when used with this sprayer.
- Never leave chemicals or solutions sitting in your sprayer after using.
- After using sprayer with chemicals, it is important to spray with fresh water for 3-5 minutes to ensure residual chemicals in the gun, wand, tank, pump, and hose are cleaned out.
- Read and follow all instructions and cautions on label of products used in this sprayer.
- Do not store your sprayer in extremely high temperatures. Heat can lead to the build-up of pressure within the sprayer, resulting in a possible explosion.
- Do not try to make modifications to the sprayer. Always use FlowZone® branded replacement parts from the manufacturer.
- Do not use batteries that are wet or have been damaged.
- Inspect sprayer hose, power knob, wand, and gun for damage or loose connections before each use.
- Do not lift or carry the sprayer by the hose, or wand. Carry by the handle only.
- Only spray when the air is calm (no wind or air movement) to prevent

chemical spray from drifting into unintended areas.

- Keep sprayer and all chemicals out of the reach of children.
- Remove chemicals and thoroughly clean the sprayer after each use. Failure to clean the sprayer may cause contamination of subsequent applications, will cause premature spray wear, and void the sprayer warranty.

NEVER spray petroleum oil distillates, or acetone through your sprayer. If using essential oils, thoroughly clean the sprayer after each use with warm, soapy water.

NOTES

- The sprayer may have residual water in it when first opened. This is due to quality testing every sprayer undergoes before leaving our factory.
- Some parts may be located under the tank lid or in the battery compartment when first assembling the sprayer.
- **THIS SPRAYER IS DESIGNED TO OPERATE WITH ONLY FLOWZONE® BRANDED BATTERIES AND ADAPTERS. ANY OTHER BATTERIES COULD CAUSE SERIOUS HARM OR INJURY TO THE OPERATOR AND SERIOUS DAMAGE TO THE SPRAYER.**

This product contains chemicals, including lead, known to the state of California to cause birth defects and other reproductive harm.



When using chemicals, always wear protective clothing, including respiratory protection masks, gloves, eye protection, etc.



Do not dispose of Lithium-ion batteries with household waste; recycle where facilities exist.

OPERATING

- Do not allow familiarity with products to make you careless. Remember that a single moment of carelessness is sufficient to cause serious injury.
- Always wear eye protection with side shields when handling or operating this sprayer. Failure to do so could result in serious injury from chemical contact or flying dirt or debris.
- The Lithium-ion battery pack can be used in temperatures down to 32°F. When operating in cold temperatures, put the battery pack in the battery compartment and use the sprayer in a light duty application. After about a minute the battery pack will warm up and begin operating normally.
- Always use the correct power setting for your application. Using the correct PSI and flow rate will result in a safer and more thorough treatment. For calibration resources please contact FlowZone® technical support. (Note: Always refer to local, state, and federal laws and regulations regarding your application.)

- Do not use the sprayer if the power switch is not functioning correctly. Any power tool that cannot be controlled with the switch is dangerous and must be repaired.
- Remove battery before making any adjustments, changing accessories, or storing the sprayer. Disconnect the sprayer from the power source by removing the battery pack. These preventative safety measures reduce the risk of starting the sprayer accidentally.

STORING

- Store sprayer out of reach of children and do not allow persons unfamiliar with the power tool or these instructions to operate the sprayer. Power tools are dangerous in the hands of untrained users.
- Maintain sprayers and accessories. Check for misalignment or binding of moving parts, breakage of parts and any other condition that may affect the sprayers operation.

SAFETY

- Use the sprayer and accessories in accordance with these instructions, taking into consideration the working conditions and the work to be performed. Use of this sprayer for applications that it was not intended for could result in a hazardous situation.
- Keep handles and lift points dry, clean and free from oil and grease. Slippery handles and lift points do not allow for safe handling and control of the sprayer.
- Risk of fire or explosion: Never use this sprayer with liquids such as gasoline, ethanol, methanol, or any other flammable or gas producing chemicals. Do not use sprayer around sparks, flame, or smoke. Failure to adhere to these instructions may cause ignition, resulting in potential injury and damage to property.
- To reduce the risk of fire, personal injury, and product damage from a short circuit, never immerse the sprayer, battery, or charger in fluids. Do not place or store sprayer where it could fall or be pulled into a tub or sink. Corrosive or conductive fluids, such as seawater, certain industrial chemicals, and bleach or bleach containing products, etc., can cause a short circuit.
- Electric shock hazard: Never spray toward electrical outlets.
- Spray area must be well ventilated to avoid hazardous fume build-up. Always refer to the product label of the chemical being used for safety instructions and proper use practices.
- Avoid spraying on windy days. Spraying in windy conditions could cause chemicals to be blown onto persons, plants, or objects that are not intended to be sprayed.

DO NOT RETURN SPRAYER TO STORE, if you experience problems or have questions contact our Customer Support, M-F 9am-5pm EST at **+1(803) 339-2500**, or email: **support@wessol.com**, or find more information at **fzspray.com/pages/troubleshoot**.

SAFETY CONT.

- Do not store chemicals in the tank. Chemicals can degrade seals and hoses. Drain and clean sprayer after each use. Failure to do so may void the sprayer warranty.
 - Remove gloves before handling battery pack. Chemicals may be damaging to plastics.
 - Thoroughly inspect the interior, exterior, and all components of the sprayer before each use. Check for cracked and deteriorated hoses, leaks, clogged nozzles and missing or damaged parts. If damaged, ensure the sprayer is repaired before use. Many accidents are caused by poor maintenance.
 - Always remove the battery pack from the sprayer before performing any maintenance, storing or draining of the sprayer.
 - Do not eat or smoke while handling or operating the sprayer. Refer to the product label of the chemical being used for user safety practices.
 - Do not use the battery compartment for storage.
- Always use common sense and be cautious when using the sprayer. It is not possible to anticipate every situation that could result in a dangerous outcome. Do not use this sprayer if you do not understand these operating instructions or if you feel the work is beyond your capability.
 - Maintain labels and nameplates. These carry important information. If unreadable or missing, contact FlowZone® Support.

**Manuals are subject to updates.
Scan the QR code to view the
most updated manual online!**



or visit: www.fzspray.com/pages/operation-guides

REGISTER YOUR SPRAYER!

To take advantage of the 1-year Limited Warranty from WESSOL, LLC. Register your sprayer at the website below:

fzspray.com/pages/register

Please read and follow this manual carefully to ensure that you get the most out of your new sprayer. If you need assistance with the assembly or operation of your sprayer, please don't hesitate to contact WESSOL via the support methods below:

fzspray.com

spraysquad@fzspray.com

FZVAAK-3

THE BATTERY

These batteries have been designed to provide maximum trouble-free life. However, like all batteries, they will eventually wear out. Do not disassemble battery pack and attempt to replace the batteries. Handling of these batteries especially when wearing rings or jewelry could result in serious burns.

- Recharge only with the charger specified by FlowZone®. A charger that is suitable for one type of battery pack may create a risk of fire when used with another batter pack.
- Only use sprayers specifically designated with their designated battery packs. Use of any other battery packs may create a risk of injury and fire.
- When battery pack is not in use, keep it away from other metal objects, like paper clips, coins, keys, nails, screws or other small metal objects, that can make a connection from one terminal to another. Shorting the battery terminals together may cause burns or fires.
- Under abusive conditions, liquid can be ejected from the battery; avoid contact. If contact accidentally occurs, flush with water. If liquid

contacts eyes, additionally seek medical help.

- Liquid ejected from the battery may cause irritation or burns.
- Do not use a battery pack or sprayer that is damaged or modified. Damaged or modified batteries may exhibit unpredictable behavior resulting in fire, explosion or risk of injury.
- Do not expose a battery pack or sprayer to fire or excessive temperature. Exposure to fire or temperature above 265°F (130°C) may cause explosion.
- Follow all charging instructions and do not charge the battery pack outside the temperature range specified in the instructions. Charging improperly or at a temperature outside the specified range may damage the battery and increase the risk of fire.

STORING BATTERY PACK LONGER THAN 30 DAYS

- Store the battery pack where the temperature is below 80°F and away from moisture.
- For long-term storage, regular charging of the battery is required

to maximize battery life. Check the battery level using the indicator lights every 4 weeks. Recharge the battery if it falls below 3 bars.

- Do not allow the battery to fully discharge.

BATTERY RECYCLING PREPARATION

- To preserve natural resources, please recycle or dispose of the batteries properly.
- This product contains Lithium-ion batteries. Local, state or federal laws may prohibit disposal of lithium-ion batteries in ordinary trash. Consult your local waste authority for information regarding available recycling and/or disposal options.

LITHIUM-ION BATTERY PACKS

- Lithium-ion batteries deliver fade free power for their entire run time. Lithium-ion batteries will not gradually lose power due to decreasing battery charge.

Instead, power from the battery pack will drop from full to zero once the full charge has been drained from the battery. Once this happens, recharging of the battery is required.

BATTERY PACK PROTECTION FEATURES

- Lithium-ion battery packs are designed with features that protect the lithium-ion cells and maximize battery life. If the sprayer stops during use, release the trigger to reset and resume operation. If the sprayer still doesn't work, the battery needs to be recharged.

If after 2 hours during the charging process, none of the LEDs are lit, remove the battery pack from the charger to avoid damaging the product. DO NOT insert another battery. Contact Customer Support for instructions on replacing the battery.

CONTENTS:

ABOUT

- 07 Specifications
- 08 What's Inside
- 09 Parts Diagram

SET UP

- 10 Sprayer Assembly
- 12 How to Spray
- 14 Aftercare

TROUBLESHOOT

- 17 Common Solutions
- 19 Parts & Accessories
- 21 Warranty

WHAT IS YOUR SPRAYER CAPABLE OF?

This FlowZone® sprayer is a highly efficient sprayer that is suitable for spraying many kinds of chemicals and solutions.

Powered by a 18V Lithium-ion battery, this sprayer results in more efficiency than a manual sprayer. This sprayer can be operated continuously for up to 3 hours and spray more than 76 gallons per battery charge at a distance of over 30 feet!



FlowZone® TYPHOON 3™ Specifications

Model Number	FZVAAK-3	Pump Type	Heavy-duty diaphragm
Battery Type	Lithium-ion	Spray Time	Up to 3 hours
Battery Voltage	18V	Pressure	Up to 115 psi
Battery Capacity	5.2Ah	Spray Distance	>30 feet
Battery Charging Time	1 hour	Tank Capacity	4 gallon
Battery Cycle Life	1,000 cycles	Flow Rate	0.12-1.12 gal/min
Battery Charger	21V/2.5A	Pump Life	1,000 hours

FZVAAK-3



WHAT'S INSIDE

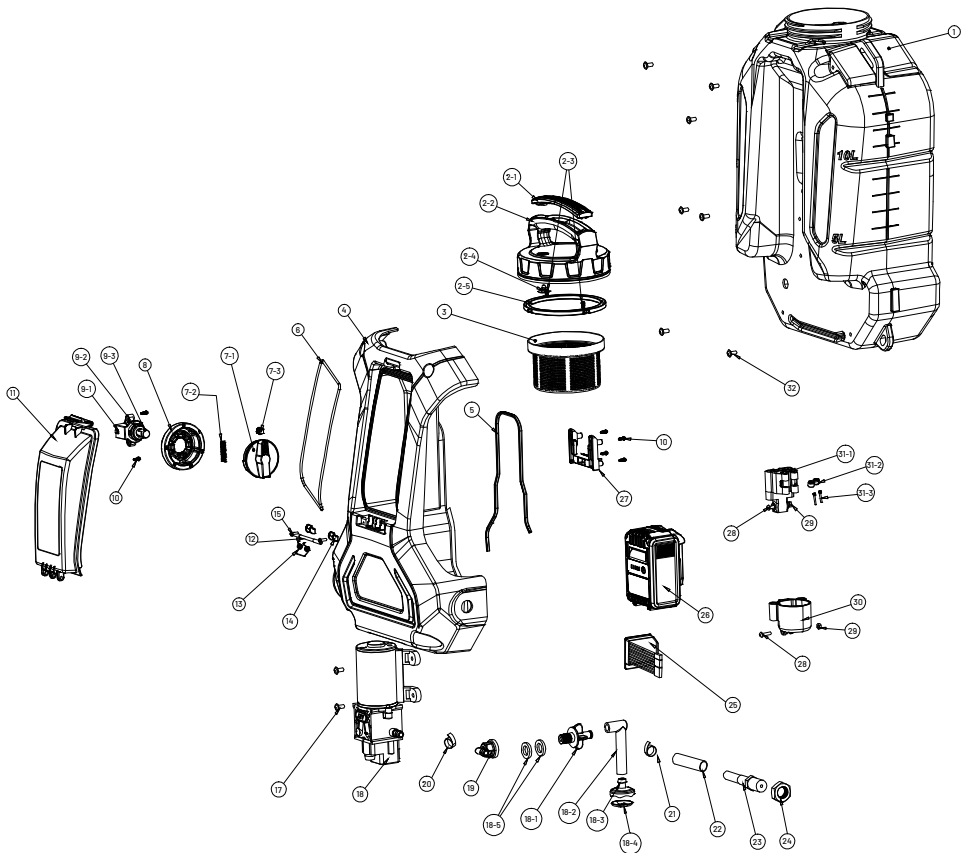
For part numbers and replacement parts/accessories please see pages 9 & 16.

#	Name	#	Name	#	Name
1	Tank Lid	7	18V/5.2Ah Battery Pack	13	Adjustable Cone Nozzle
2	4-Gallon Tank	8	21V/2.5A Battery Charger	14	0° Pin Stream Nozzle
3	Tank Strainer	9	Stainless-Steel Spray Wand	15	45° Fan Nozzle
4	Top Holster	10	Spray Gun		
5	Bottom Holster	11	ComfortStraps™		
6	Nuts & Bolts	12	UV-Resistant 5-Foot Hose		

FZVAAK-3

SPRAYER DIAGRAM
& Replacement Parts

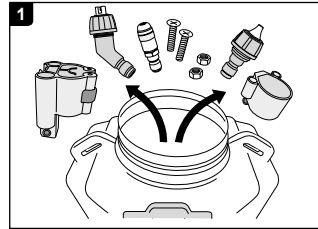
1	FZRAMZ	4-Gallon Tank
2-1	FZRAEH Tank Lid	Handle Cover
2-2		Tank Lid
2-3		Screw
2-4		Pressure Seal
2-5	FZRACK	Tank Lid Gasket
3	FZRBW	Tank Strainer
4	FZRAOH Front Cover Plate Assembly	Front Cover Plate
5		U-Type Seal
6		Sealing Strip
7-1		Pressure Dial
7-2		Spring
7-3		Slider
8		5 Speed Ring
9-1		Switch
9-2		Long Handle
9-3	Housing	
10	Screw	
11	FZRAEG Battery Door Assembly	Battery Door
12		Door Pivot
13		Door Spring
14		Door Pivot Clamp
15	Screw	
18	FZRAOB	Pump
17	High-Pressure Diaphragm Pump	Pump Screw
18-1	FZRAGK Pump Inlet Filter	Inlet Connector
18-2		Inlet Tube
18-3		Inlet Pickup Housing
18-4		Inlet Screen
18-5		Inlet Gasket
19	Inlet Elbow Fitting	
20	Hose Clamp American	
21	Hose Clamp German	
22	Outlet Tube	
23	Outlet Hose and Fitting	
24	M18xL 5 Nut	
25	FZRAFJ	Circuit Board
26	FZAAEM	18V/5.2Ah TRI-ZONE™ Li-Ion Battery Pack
27	Battery Holster	
28	Screw	
29	Nut	
30	FZRANK	Lower Wand Holster
31-1	FZRANL Top Wand Holster	Upper Holster
31-2		Roller
31-3		Pin
32	M5*11 Screw	



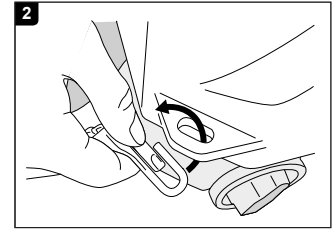
GETTING STARTED

Setting up your sprayer

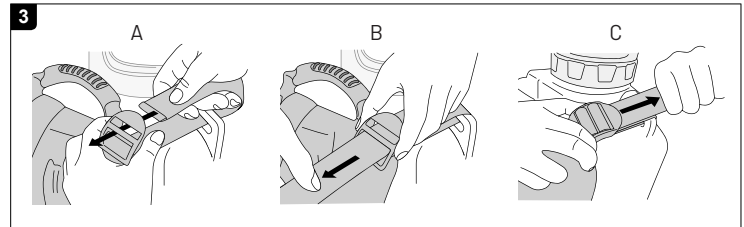
NOTE: The sprayer may have residual water in it when first opened. This is due to quality testing every sprayer undergoes before leaving our factory.



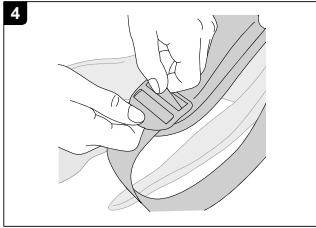
Take off the tank lid (1). Remove the nuts and bolts (6), holsters (4, 5) and nozzles (13, 14, 15) from the tank strainer (3). Set aside.



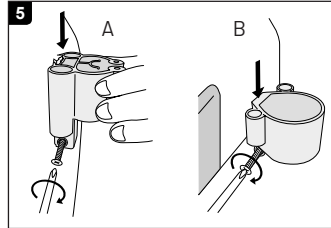
Bring the ComfortStraps™ (11) to the bottom of the tank. Secure the lower strap clips to the loops at the bottom of the tank.



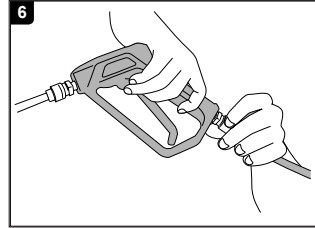
Next, slide the adjustable strap through the top tank loop. Continue by sliding the strap under and over the buckle fitting. Lightly tug to make sure the strap is secure. Repeat on other side.



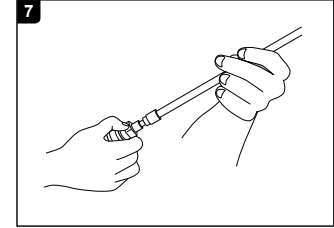
If the shoulder straps arrive detached, attach the bottom to the adjustable buckle using the same method as before.



Slide the top wand holster onto protruding holster. Insert a nut on one side of the hexagonal slot on the bottom of the holster and screw the bolt through the other side using a Phillip's head screwdriver until the bolt fastens into the nut. Repeat for the bottom holster/slot.



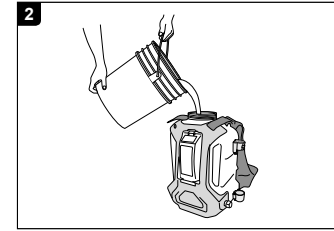
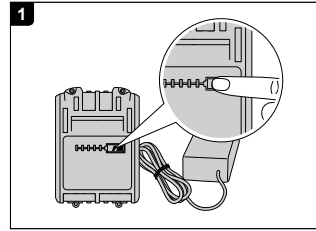
Take the spray gun (10) and attach it to the threaded fitting on the end of the hose (12). Tighten the fitting to ensure the gasket properly seals the connection.



If spraying with the stainless steel spray wand (9), pull back on the collar of the quick-connect fitting on the spray gun and insert the male end of the spray wand. Push the collar of the quick-connect back into its original position to secure the spray wand inside.

SPRAYING

Preparing to spray



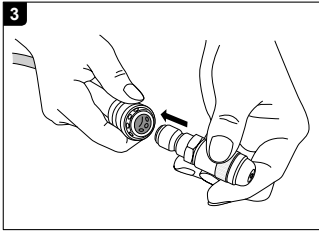
Although the battery (7) may be partially charged upon delivery, it is essential to fully charge the battery prior to the first operation. An indicator light should flash while the battery is plugged in and charging.

The charge level can be viewed by activating the indicator lights on the battery by pressing on the battery icon.

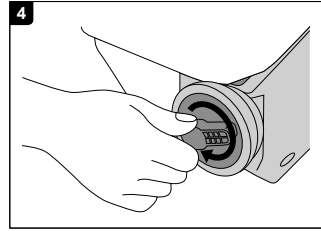
In a separate container, prepare the solution you wish to spray according to the chemical manufacturer's instructions. Remove the tank lid and carefully pour the solution through the tank strainer. Securely tighten the tank lid.



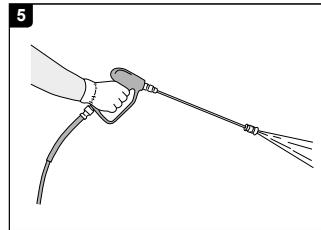
When using chemicals, always wear protective clothing, including respiratory protection masks, gloves, eye protection, etc.



Determine the nozzle you would like to use and insert it into the spray gun or spray wand by pulling back on the quick-connect fitting. Once the nozzle is in place, push the collar back to its original position. General flow rates for each nozzle can be found on page 16.



Turn the pump on by rotating the variable-pressure dial clockwise to the desired position. Reference flow rate and spraying pressure chart on Page 16.



To begin spraying, simply hold down the trigger on the spray gun.

Priming your sprayer

NOTE: Although rare, when spraying for the first time or after storing the sprayer for an extended amount of time, the sprayer may need help priming. If the sprayer turns on and you can hear the pump running, but no liquid is passing through the sprayer, you will need to manually prime the sprayer according to the steps below:

1. With the sprayer off, remove the battery and make sure the battery cover is shut.
2. Remove the tank lid and take the tank strainer out to reveal the inside of your sprayer tank.
3. Locate the inlet filter at the bottom of the sprayer tank (See diagram 3 on page 15 for a visual representation). Gently wiggle the inlet filter until it comes apart from the pump connection. Set aside.
4. Using a garden hose or similar delivery method, rapidly run clean water into the connection where the inlet filter was.
5. Reinstall the inlet filter with the mesh screen facing the bottom of the tank, fill the sprayer with some water, and insert a charged battery. Test the sprayer by activating the spray trigger.



Scan for video instructions or visit <https://fzspray.com/pages/troubleshoot#priming-sprayer>

AFTERCARE

Sprayer maintenance

CAUTION: Failure to properly rinse out the sprayer may cause chemical residue build-up that can clog or damage internal and external components. Leaving chemical liquids in the sprayer when not in use can lead to premature wear and voiding of the warranty. Never store the sprayer with chemical inside.

1. With the sprayer off, dispose of extra product based on the manufacturer's instructions. Rinse out any residual solution in the spray tank with warm soapy water. Then, spray fresh water through the sprayer for 3-5 minutes to clear the sprayer of chemicals.
2. Disconnect the spray gun from the hose and allow the hose to hang down towards the ground; draining the hose of liquid.
3. Thoroughly dry the sprayer tank and clear the nozzles and inlet filter of any build-up.
4. Store the sprayer in a dry, clean, and shaded place to protect it from extreme heat or frost.

NOTE

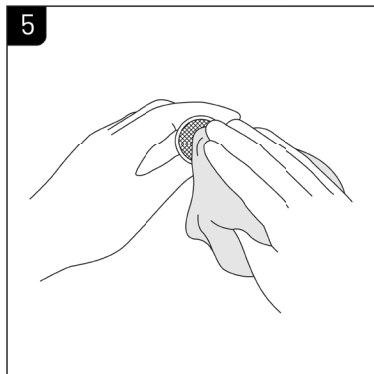
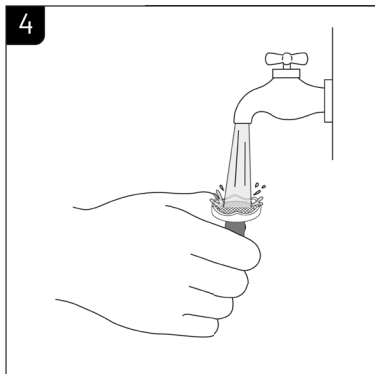
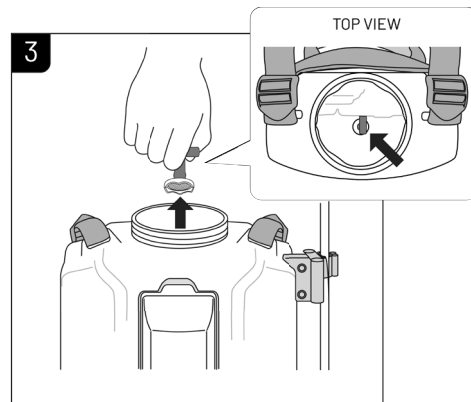
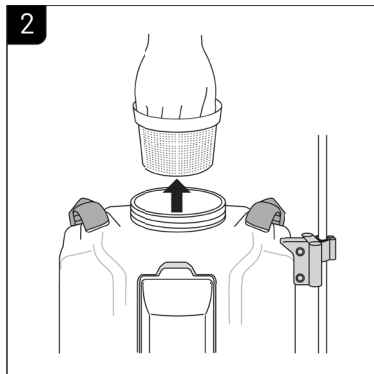
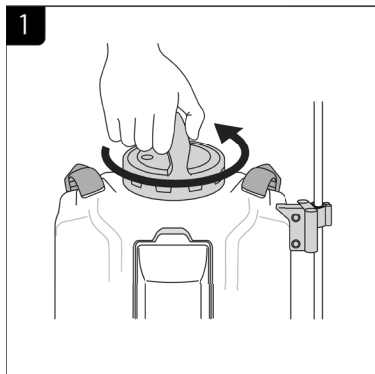
For long-term storage, regular charging of the battery is required to maximize battery life. Check the battery level using the indicator lights every 4 weeks. Recharge the battery if it falls below 3 bars. Do not allow the battery to fully discharge.


Cleaning the inlet filter

NOTE: It is recommended you clean your inlet filter at least every other time your sprayer is used. Buildup at the inlet filter can cause damage to the pump and reduce spraying pressure.

1. With the sprayer off and battery removed, take off the tank lid.
2. Lift the tank strainer out of the mouth of the sprayer tank and set aside.
3. Reach into the sprayer tank and gently pry the inlet filter from the pump connection at the bottom of the tank.
4. Rinse the inlet filter with fresh water and get rid of any debris or particles.
5. Taking a clean cloth, wipe down the filter screen and dry the inlet filter. Reassemble the sprayer with the inlet filter and store the unit in protected area.

FZVAAK-3



	<h2 style="text-align: center;">Typhoon 3™ Flow Rate & Pressure Chart</h2>									
	Speed 1		Speed 2		Speed 3		Speed 4		Speed 5	
Nozzle	Flow Rate (GPM)	Pressure (PSI)	Flow Rate (GPM)	Pressure (PSI)	Flow Rate (GPM)	Pressure (PSI)	Flow Rate (GPM)	Pressure (PSI)	Flow Rate (GPM)	Pressure (PSI)
Brass Adjustable Nozzle (Misting Cone Position)	0.42	20	0.46	39	0.55	55	0.59	65	0.63	75
Brass Adjustable Nozzle (Jet Stream Position)	0.48	22	0.57	26	0.66	36	0.70	44	0.77	51
0° Pin Stream Nozzle	0.42	30	0.60	45	0.66	60	0.68	67	0.71	70
45° Fan Nozzle	0.42	30	0.63	55	0.68	60	0.68	62	0.71	65



Actual spraying pressure and flow rates may vary. It is always a good idea to calibrate your sprayer prior to use.

TROUBLESHOOTING

If your sprayer is not turning on or functioning as it should, visit fzspray.com/pages/troubleshoot for detailed instructions on how to properly determine the cause of the issue.

To contact Technical Support, email support@wessol.com or call **+1 (803) 339-2500**.

Problem	Possible Cause(s)	Solution
Sprayer does not turn on.	Dead battery	Charge the battery. If the battery will not charge, test the charger or contact Support for a replacement if applicable.
	Defective or damaged part	Follow the instructions at fzspray.com/troubleshoot or contact Support for guidance.
Leaks from tank.	Loose hose connection	Remove the plastic cover plate and locate the hose connection to the pump. Tighten the hose clamp.
Leaks from gun/nozzle.	Loose hose connection	Ensure the spray gun is fully tightened onto the threaded end of the hose.
	Missing or worn gasket	Locate the necessary part from page 19 and contact Support or visit fzspray.com to purchase.
Clogged pump / hose / gun / wand / nozzle	Not rinsing parts with water after use.	Take apart and thoroughly clean the parts. Rinse the sprayer with warm, soapy water after each use.

Problem	Possible Cause(s)	Solution
Dead battery.	Defective charger	If the LED indicator lights do not turn on or only one red LED is on after being on the charger for over 2 hours, test the charger with a multimeter. Replace if necessary.
	Damaged Lithium-Ion cells	If the battery receives no reading from a multimeter, a replacement battery is needed.
Pump makes a sound when sprayer is on, but output is limited.	Clog in filter or nozzle	Check parts for a clog. Using warm water, thoroughly clean the components.
	Clog in the pump	Remove the plastic cover plate and locate the pump. Remove then open the pump and clean out debris. Contact Support for assistance.

FZVAAK-3

ACCESSORIES & PARTS

Included with sprayer



FZAAGD
ComfortStraps™
Backpack straps



FZAAEM
Li-Ion TRI-ZONE™
Battery Pack



FZAAEL
21V/2.5A
Quick-Charger



FZRABV
Spray Gun



FZRAFL
UV-Resistant
5-Ft. Hose



FZAAOL
Adjustable
Cone Nozzle



FZAAAM
45° Fan Nozzle



FZAAOK
0° Pin Stream
Nozzle



FZRAAS
18" Stainless-Steel
Spray Wand



FZRAES
Pump & Circuit
Board Assembly

Spray Wands



FZAAKM
Stainless-steel
Dripless Wand



FZAA LR
Stainless-Steel
Dripless Wand w/
45° Bend



FZAA NY
16-Ft. Telescoping
Wand



FZAA BC
Heavy Duty Trolley

Trolleys



FZAA AZ
Heavy Duty Trolley
w/ 20' Extension
Hose

Accessories and replacement parts can be purchased at your preferred distributor or online at fzspray.com.

FZVAAK-3

Adapters



FZAAEW
Quick-Connect to
100° TeeJet®
Nozzle Adapter



FZAACC
Garden Hose
Adapter



FZAADL
Quick-Connect
to Female M18
Adapter



FZAAPE
Dewalt®/
Milwaukee®
Battery Adapter



FZAAPD
Makita® Battery
Adapter

Nozzles



FZAAOX
Drift Guard w/ 110°
TeeJet® Nozzle



FZAALV
5-in-1 Nozzle



FZRAFE
Heavy-Duty
Diaphragm Pump



FZRAFJ
Circuit Board



FZAADA
20-Ft.
Extension Hose

Hoses

Miscellaneous



FZAANS
Mounted Sprayer
Rack



FZAAML
4-Gallon
Sprayer Cover



FZAANE
Wand/Nozzle
Flashlight Mount



FZRAHZ
Spray Gun Seal
Mechanism Kit



FZAAMP
TeeJet Nozzle
Assembly PVC
Gaskets

Accessories and replacement parts can be purchased at your preferred distributor or online at fzspray.com.

WARRANTY

WARRANTY COVERAGE

WESSOL, LLC warrants to the original purchaser that the FlowZone® product will function as intended under normal use and consistent maintenance, subject to certain limitations and exclusions. At the discretion of WESSOL, LLC, we will repair or replace any parts found to be defective in material or workmanship without charge, apart from shipping and handling costs, during the covered warranty period.

WARRANTY PERIOD

The warranty period will begin from the date of retail purchase and exist for one (1) year, regardless of when the unit is placed in service. The warranty period is not extended if we opt to repair or replace the product in question.

WARRANTY CLAIMS

WESSOL, LLC reserves the right to require the return of the defective product, proof of purchase, and established product registration to file a claim under this warranty.

PRODUCT REGISTRATION

All sprayers purchased from FlowZone® or an authorized distributor must be registered online to validate the warranty and allow for warranty claim processing. Sprayers can be registered at fzspray.com/pages/register.

To activate the warranty on your sprayer, register it at fzspray.com/register. If the product fails to function as intended **DO NOT RETURN IT TO THE STORE**. To view the complete warranty or submit a claim, visit fzspray.com/warranty.

EXCLUSIONS AND LIMITATIONS

WESSOL, LLC only warrants products purchased from authorized distributors. Products purchased from unauthorized resellers or distributors are not subject to warranty services.

The limited warranty does not cover damages, loss, or injury resulting from transportation, storage, accident, improper use, neglect, modifications, normal wear, or operation not in accordance with the instruction manual. WESSOL, LLC reserves the right to change the design or specifications of any product without obligation to modify previously produced units.

ANY IMPLIED WARRANTIES, INCLUDING THE IMPLIED WARRANTY OF MERCHANTABILITY AND FITNESS FOR CONSUMER USE, ARE LIMITED TO THE DURATION SPECIFIED ABOVE. WESSOL, LLC'S LIABILITY IS LIMITED SOLELY TO THE REPAIR OR REPLACEMENT OF THE NON-FUNCTIONING PRODUCT OR PART. WESSOL, LLC EXCLUDES LIABILITY UNDER THIS WARRANTY FOR ANY AND ALL INCIDENTAL AND CONSEQUENTIAL LOSS OR DAMAGE.

In no event shall WESSOL, LLC be liable for any incidental, special, consequential or punitive damages, or for any costs, attorney fees, expenses, losses or delays alleged to be as a consequence of any damage to, failure of, or defect in any product including, but not limited to, any claims for loss of profits.

Some states do not allow limitations on how long an implied warranty lasts, or the exclusion or limitation of incidental or consequential damages, so these limitations or exclusions may not apply to you. This warranty gives you specific legal rights and you may have other rights which vary from state to state.



fzspray.com

spraysquad@fzspray.com

CONNECT WITH US:



@FZSprayer



@FZSpray



@FlowZoneSprayer

FZVAAK-3



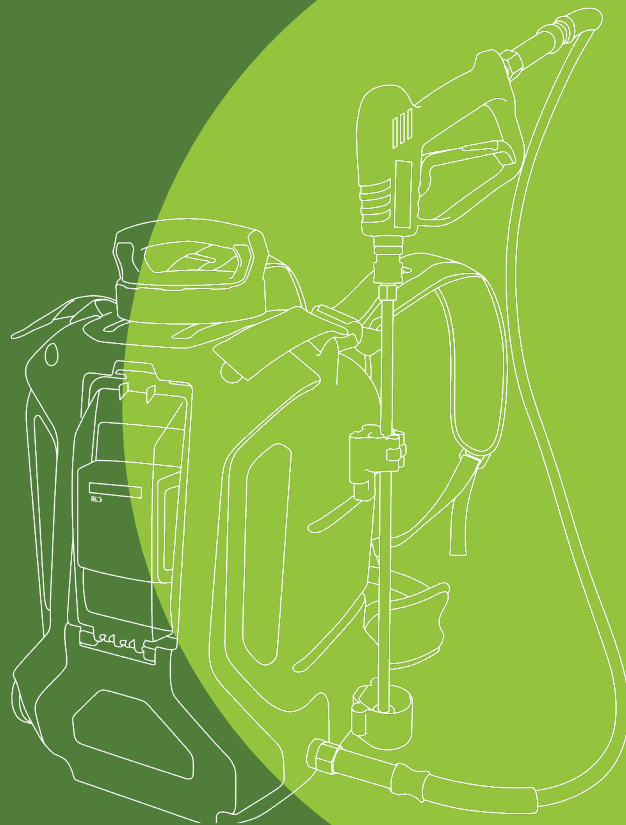
GUÍA DE FUNCIONAMIENTO

Modelo: FZVAAK-3

TYPHOON³

PRESIÓN VARIABLE DE 5 POSICIONES
PULVERIZADOR DE MOCHILA A BATERÍA

CAPACIDAD DEL DEPÓSITO DE 15 LITROS



ATENCIÓN

Lea atentamente la siguiente información. El usuario debe leer y comprender todo el manual antes de utilizar el pulverizador. El incumplimiento de las instrucciones o el uso inadecuado podrían provocar averías en el pulverizador y posibles lesiones graves.

- **Si experimenta problemas o tiene preguntas, póngase en contacto con nuestro equipo de soporte de lunes a viernes de 9am-5pmEST al 1-803-339-2500 o envíe un correo electrónico a support@wessol.com.**
- Nunca pulverice productos químicos inflamables, cáusticos, ácidos, calor, presión, o que producen gas.
- Siempre lea y siga las instrucciones del fabricante de productos químicos antes de usar con este pulverizador ya que algunos productos químicos pueden ser peligrosos cuando se utilizan con este pulverizador.
- Después de usar el pulverizador con productos químicos, es importante pulverizar con agua fresca durante 3-5 minutos para asegurarse de que los productos químicos residuales en la pistola, la varilla, el tanque, la bomba y la manguera se limpien correctamente.
- Lea y siga todas las instrucciones y precauciones de la etiqueta de los productos utilizados en este pulverizador.
- No almacene el pulverizador a temperaturas extremadamente altas. El calor puede provocar la acumulación de presión en el interior del pulverizador, lo que podría causar una explosión.
- No intente realizar modificaciones en el pulverizador. Utilice siempre piezas de repuesto del fabricante de la marca FlowZone®.
- No utilice baterías que estén húmedas o dañadas.
- Inspeccione la manguera del pulverizador, el botón de encendido, la varilla y la pistola

- antes de cada uso para detectar daños o conexiones sueltas.
- No levante ni transporte el pulverizador por la manguera o la varilla.
- Sólo pulverice cuando el aire esté en calma (sin viento, ni movimiento de aire) para evitar que el producto químico pulverizado se desplace a zonas no deseadas.
- Mantenga el pulverizador y todos los productos químicos fuera del alcance de los niños.
- Retire los productos químicos y limpie a fondo el pulverizador después de cada uso. No limpiar el pulverizador puede contaminar las aplicaciones posteriores, provocar el desgaste prematuro del pulverizador e invalidar la garantía del pulverizador.

NOTAS

- Es posible que el pulverizador contenga agua residual al abrirlo por primera vez, debido a las pruebas de calidad a las que se somete cada vez antes de salir de nuestra fábrica.
- Al montar el pulverizador por primera vez, es posible que algunas piezas se encuentren debajo de la tapa del depósito o en el compartimento de la batería.
- **ESTE PULVERIZADOR ESTÁ DISEÑADO PARA FUNCIONAR SÓLO CON BATERÍAS Y ADAPTADORES DE LA MARCA FLOWZONE®. CUALQUIER OTRA BATERÍA PODRÍA CAUSAR LESIONES GRAVES AL OPERADOR Y DAÑOS SERIOS AL PULVERIZADOR.**

Nunca pulverice destilados de petróleo o acetona a través del pulverizador. Si utiliza aceites esenciales, limpie a fondo el pulverizador después de cada uso con agua jabonosa tibia.

Este producto contiene sustancias químicas, incluido el plomo, conocidas por el estado de California por causar defectos de nacimiento y otros daños reproductivos.



Cuando utilice productos químicos, lleve siempre ropa protectora, incluidas máscaras de protección respiratoria, guantes, protección ocular, etc.



No tire las pilas de iones de litio a la basura doméstica; reciclelas donde existan instalaciones para ello.

FZVAAK-3

FUNCIONAMIENTO

- No permita que la confianza con los productos le haga descuidarse. Recuerde que un solo momento de descuido es suficiente para causar lesiones graves.
- Utilice siempre protección ocular con protección lateral cuando maneje o utilice este pulverizador. De lo contrario, podrían producirse lesiones graves por contacto con productos químicos o por la proyección de suciedad o residuos.
- El paquete de baterías de iones de litio puede utilizarse a temperaturas de hasta 32°F/0°C. Cuando trabaje a bajas temperaturas, coloque la batería en su compartimento y utilice el pulverizador en una aplicación ligera. Después de aproximadamente un minuto, la batería se calentará y comenzará a funcionar normalmente.
- Utilice siempre el ajuste de potencia correcto para su aplicación. Si utiliza la presión PSI y el caudal correctos, obtendrá un tratamiento más seguro y completo. Para obtener recursos de calibración, póngase en contacto con el servicio técnico de FlowZone®. (Nota: Consulte siempre las leyes y normativas

locales, estatales y federales relativas a su aplicación).

- No utilice el pulverizador si el interruptor de encendido no funciona correctamente. Cualquier herramienta eléctrica que no pueda controlarse con el interruptor es peligrosa y debe repararse.
- Retire la batería antes de realizar ajustes, cambiar accesorios o guardar el pulverizador. Desconecte el pulverizador de la fuente de alimentación extrayendo la batería. Estas medidas preventivas de seguridad reducen el riesgo de arrancar el pulverizador accidentalmente.

ALMACENAMIENTO

- Guarde el pulverizador fuera del alcance de los niños y no permita que lo manejen personas no familiarizadas con la herramienta eléctrica o con estas instrucciones. Las herramientas eléctricas son peligrosas en manos de usuarios no formados.
- Realice el mantenimiento de los pulverizadores y accesorios. Compruebe si las piezas móviles están desalineadas o atascadas, si hay piezas rotas o cualquier otra condición que pueda afectar al funcionamiento del pulverizador.

SEGURIDAD

- Utilice el pulverizador y los accesorios de acuerdo con estas instrucciones, teniendo en cuenta las condiciones de trabajo y el trabajo a realizar. El uso de este pulverizador para aplicaciones para las que no ha sido diseñado podría provocar una situación peligrosa.
- Mantenga las empuñaduras y los puntos de elevación secos, limpios y sin aceite ni grasa. Los mangos y puntos de elevación resbaladizos no permiten manejar y controlar el pulverizador con seguridad.
- Riesgo de incendio o explosión: No utilice nunca este pulverizador con líquidos como gasolina, etanol, metanol o cualquier otro producto químico inflamable o que produzca gases. No utilice el pulverizador cerca de chispas, llamas o humo. El incumplimiento de estas instrucciones puede provocar una ignición, con el consiguiente riesgo de lesiones y daños materiales.
- Para reducir el riesgo de incendio,

lesiones personales y daños en el producto debidos a un cortocircuito, no sumerja nunca el pulverizador, la batería o el cargador en líquidos. No coloque ni guarde el pulverizador donde pueda caerse o ser arrastrado a una bañera o fregadero. Los líquidos corrosivos o conductores, como el agua de mar, ciertos productos químicos industriales y la lejía o productos que contengan lejía, etc., pueden provocar un cortocircuito.

- Peligro de descarga eléctrica: No rocíe nunca hacia las tomas de corriente.
- La pulverización debe estar bien ventilada para evitar la acumulación de humos peligrosos. Consulte siempre la etiqueta del producto químico utilizado para obtener instrucciones de seguridad y prácticas de uso adecuadas.
- Evite pulverizar en días ventosos. La pulverización en condiciones de viento puede provocar que los productos químicos caigan sobre personas, plantas u objetos que no están destinados a ser pulverizados.

NO DEVUELVA EL PULVERIZADOR A LA TIENDA, si experimenta problemas o tiene póngase en contacto con nuestro Servicio de Atención al Cliente, de lunes a viernes, de 9am a 5pm EST al **+1 (803) 339-2500**, o **envíe un correo electrónico a: support@wessol.com**, o encuentre más información en **fzspray.com/pages/troubleshoot**.

SEGURIDAD CONT.

- No almacene productos químicos en el depósito. Los productos químicos pueden degradar las juntas y las mangueras. Vacíe y limpie el pulverizador después de cada uso. No hacerlo puede anular la garantía del pulverizador.
- Quitese los guantes antes de manipular la batería. Los productos químicos pueden dañar los plásticos.
- Inspeccione minuciosamente el interior, el exterior y todos los componentes del pulverizador antes de cada uso. Compruebe si hay mangueras agrietadas o deterioradas, fugas, boquillas obstruidas y piezas dañadas o que falten. Si están dañadas, asegúrese de reparar el pulverizador antes de utilizarlo. Muchos accidentes se deben a un mantenimiento deficiente
- Retire siempre la batería del pulverizador antes de realizar cualquier operación de mantenimiento, almacenamiento o vaciado del pulverizador.
- No coma ni fume mientras manipula o maneja el pulverizador. Consulte la etiqueta del producto

químico utilizado para conocer las prácticas de seguridad del usuario.

- No utilice el compartimento de las pilas para guardarlas.
- Utilice siempre el sentido común y sea precavido al utilizar el pulverizador. No es posible prever todas las situaciones que podrían resultar peligrosas. No utilice este pulverizador si no comprende estas instrucciones de uso o si considera que el trabajo está por encima de su capacidad.
- Mantenga las etiquetas y placas de identificación. Contienen información importante. Si no se pueden leer o faltan, póngase en contacto con el servicio técnico de FlowZone®.

Los manuales están sujetos a actualizaciones. Escanee el código QR para ver el manual más actualizado en línea.



o visite: www.fzspray.com/pages/operation-guides

REGISTRE SU PULVERIZADOR

Para beneficiarse de la garantía limitada de 1 año de WESSOL, LLC. Registre su pulverizador en el página web:

fzspray.com/pages/register

Lea y siga atentamente este manual para sacar el máximo partido de su nuevo pulverizador. Si necesita ayuda con el montaje o el funcionamiento de su pulverizador, no dude en ponerse en contacto con WESSOL a través de los métodos de asistencia que se indican a continuación:

fzspray.com

spraysquad@fzspray.com

LA BATERÍA

Estas baterías han sido diseñadas para proporcionar la máxima vida útil sin problemas. Sin embargo, como todas las pilas, con el tiempo se desgastarán. No desmonte el paquete de pilas ni intente sustituir las. La manipulación de estas pilas, especialmente cuando se llevan anillos o joyas, podría provocar quemaduras graves.

- Recargue únicamente con el cargador especificado por FlowZone®. Un cargador adecuado para un tipo de batería puede crear riesgo de incendio si se utiliza con otro tipo de batería.
- Utilice únicamente pulverizadores específicamente designados con sus paquetes de baterías designados. El uso de cualquier otra batería puede crear un riesgo de lesiones e incendio.
- Cuando la batería no esté en uso, manténgala alejada de otros objetos metálicos, como clips, monedas, llaves, clavos, tornillos u otros objetos metálicos pequeños, que puedan hacer una conexión de un terminal a otro. Los cortocircuitos entre los terminales de la batería pueden provocar quemaduras o incendios.
- En condiciones abusivas, puede salir líquido de la batería; evite el contacto. En caso de contacto accidental,

enjuague con agua. Si el líquido entra en contacto con los ojos, solicite asistencia médica.

- El líquido expulsado por la batería puede provocar irritaciones o quemaduras.
- No utilice baterías o pulverizadores dañados o modificados. Las baterías dañadas o modificadas pueden mostrar un comportamiento impredecible que provoque incendios, explosiones o riesgo de lesiones.
- No exponga la batería ni el pulverizador al fuego ni a temperaturas excesivas. La exposición al fuego o a temperaturas superiores a 265°F (130°C) puede provocar una explosión.
- Siga todas las instrucciones de carga y no cargue la batería fuera del intervalo de temperatura especificado en las instrucciones. Una carga incorrecta o a una temperatura fuera del rango especificado puede dañar la batería y aumentar el riesgo de incendio.

Si después de 2 horas durante el proceso de carga, no se enciende ninguno de los LEDs, retire la batería del cargador para evitar dañar el producto. NO inserte otra batería. Póngase en contacto con el servicio de atención al cliente para obtener instrucciones sobre la sustitución de la batería.

ALMACENAMIENTO DE LA BATERÍA MÁS DE 30 DÍAS

- Guarde la batería a una temperatura inferior a 80°F y alejada de la humedad.
- Para un almacenamiento prolongado, es necesario cargar la batería con regularidad para maximizar su vida útil. Compruebe el nivel de la batería mediante los indicadores luminosos cada 4 semanas. Recargue la batería si desciende por debajo de 3 bares.
- No deje que la batería se descargue por completo.

RECICLAJE DE LA BATERÍA PREPARACIÓN

- Para preservar los recursos naturales, recicle o deseché las pilas correctamente.
- Este producto contiene baterías de iones de litio. Las leyes locales, estatales o federales pueden prohibir el desecho de baterías de iones de litio en la basura común. Consulte a las autoridades locales competentes en materia de residuos para obtener información sobre las opciones de reciclado u opciones de eliminación.

BATERÍA DE IONES DE LITIO PAQUETES

- Las baterías de iones de litio suministran energía sin interrupciones durante todo su tiempo de funcionamiento. Las baterías de iones de litio no pierden potencia gradualmente debido a la disminución de la carga de la batería. Por el contrario, la potencia de la batería disminuirá de máxima a nula una vez que se haya agotado toda la carga de la batería. Cuando esto ocurre, es necesario recargar la batería.

PAQUETE DE LA BATERÍA CARACTERÍSTICAS DE PROTECCIÓN

- Los paquetes de baterías de iones de litio están diseñados con características que protegen las celdas de iones de litio y maximizan la vida útil de la batería. Si el pulverizador se para durante su uso, suelte el gatillo para restablecerlo y reanudar el funcionamiento. Si el pulverizador sigue sin funcionar, es necesario recargar la batería.

CONTENIDO

ACERCA DE

- 31 Especificaciones
- 32 Qué hay dentro?
- 33 Diagrama de piezas

PUESTA EN MARCHA

- 34 Conjunto pulverizador
- 36 Cómo pulverizar
- 38 Asistencia posterior

SOLUCIÓN DE PROBLEMAS

- 41 Soluciones comunes
- 43 Piezas y accesorios
- 45 Garantía

DE QUE ES CAPAZ SU PULVERIZADOR?

Este pulverizador FlowZone® es un pulverizador de gran eficacia adecuado para pulverizar muchos tipos de productos químicos y soluciones.

Alimentado por una batería de iones de litio de 18 V, este pulverizador resulta más eficaz que un pulverizador manual. ¡Este pulverizador puede funcionar de forma continua hasta 3 horas y pulverizar más de 288 litros por carga de batería a una distancia de más de 9 metros!

FlowZone® TYPHOON 3™ Especificaciones

Número de modelo	FZVAAK-3	Tipo de bomba	Para trabajos pesados más diafragma
Tipo de batería	Iones de litio	Tiempo de pulverización	Hasta 3 horas
Tensión de la batería	18V	Presión	Hasta 115 psi
Capacidad de la batería	5.2Ah	Distancia de pulverización	>9 metros
Tiempo de carga de la batería	1 Hora	Capacidad del depósito	15 litros
Vida útil de la batería	1.000 Ciclos	Caudal	0,45-4 litros/min
Cargador de batería	21V/2.5A	Vida útil de la bomba	1.000 horas



AGUA FERTILIZANTE HERBICIDA



FUNGICIDA PLAGUICIDAS DEICER



LIMPIADOR SELLANTES Y MUCHO MÁS

FZVAAK-3



¿QUÉ HAY DENTRO?

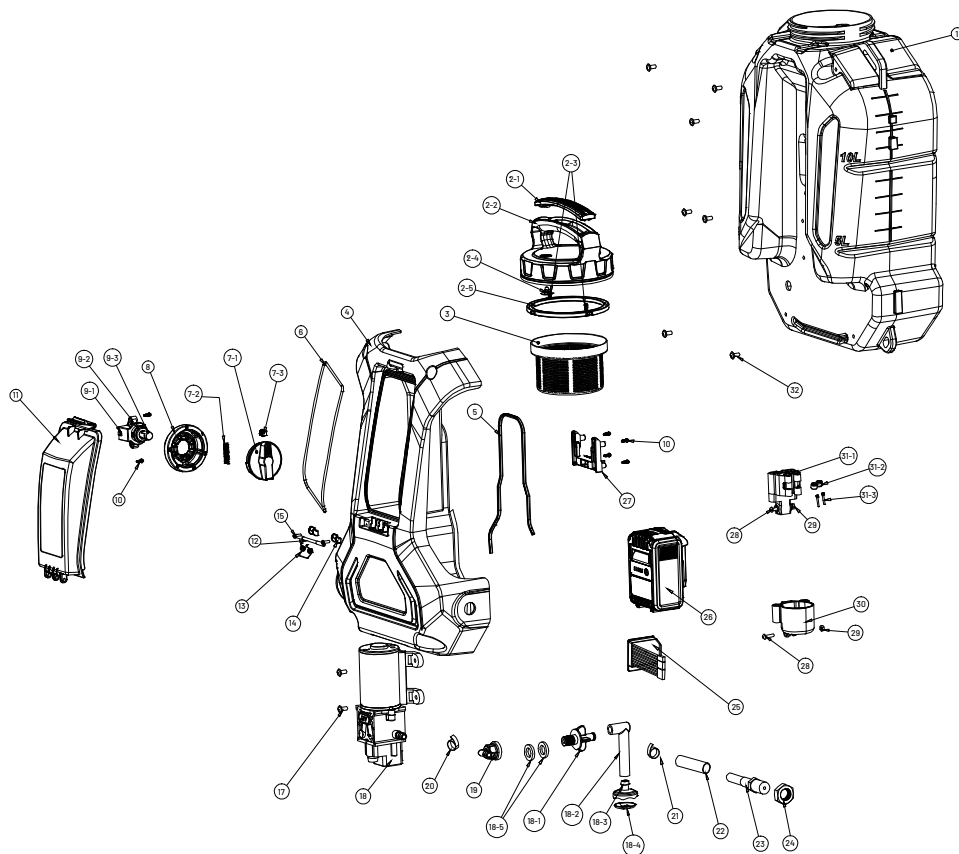
Para los números de pieza y las piezas/accesorios de recambio, consulte las páginas 33 & 43.

#	Nombre	#	Nombre	#	Nombre
1	Tapa del depósito	7	Batería 18V/5,2Ah	13	Boquilla cónica ajustable
2	Depósito de 15 litros	8	Cargador de batería de 21 V/2,5 A	14	0° Boquilla de chorro de espiga
3	Colador del depósito	9	Varilla pulverizadora de acero inoxidable	15	Boquilla de abanico 45°
4	Funda superior	10	Pistola pulverizadora		
5	Funda inferior	11	ComfortStraps™		
6	Tornillos y tuercas	12	Manguera de 1,5 metros resistente a los rayos UV		

FZVAAK-3

DIAGRAMA DEL PULVERIZADOR y piezas de repuesto

1	FZRAMZ	Depósito de 15 litros
2-1	FZRAEH	Tapa del asa
2-2	FZRAEH	Tapa del depósito
2-3		Tornillo
2-4		Sello de presión
2-5	FZRACK	Junta de la tapa del depósito
3	FZRABW	Colador del depósito
4		Placa de cubierta frontal
5		Junta en U
6		Banda de sellado
7-1		Dial de presión
7-2	FZRAOH	Primavera
7-3		Deslizador
8		Anillo de 5 velocidades
9-1		Interruptor
9-2		Asa larga
9-3		Vivienda
10		Tornillo
11		Puerta de la batería
12		Pivote de puerta
13	FZRAEG	Muelle de puerta
14		Abrazadera de pivote de puerta
15		Tornillo
16	FZRAOB	Bomba
17		Tornillo de la bomba
18-1		Conector de entrada
18-2	FZRAGK	Tubo de entrada
18-3		Carcasa del captador de entrada
18-4		Rejilla de entrada
18-5	FZRACL	Junta de entrada
19		Codo de entrada
20		Abrazadera americana
21		Abrazadera alemana
22		Tubo de salida
23		Manguera de salida y racor
24		Tuerca M18x1, 5 Tuerca
25	FZRAFJ	Placa de circuito
26	FZAAEM	Batería de iones de litio TRI-ZONE™ de 18V/5,2Ah
27		Funda para pilas
28		Tornillo
29		Tuerca
30	FZRANK	Funda de varilla inferior
31-1		Funda superior
31-2	FZRANL	Rodillo
31-3		Pin
32		Tornillo M5*11

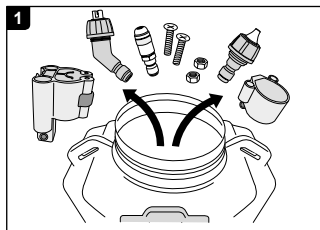


SCALE
0.500

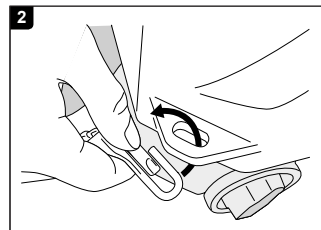
PRIMEROS PASOS

Configuración del pulverizador

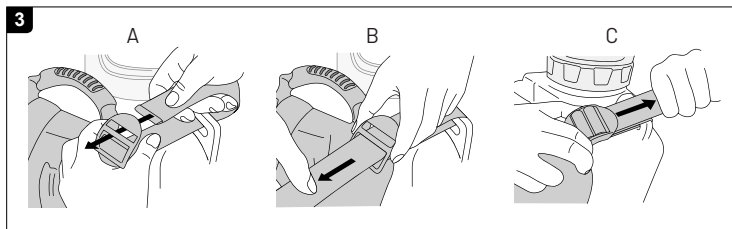
NOTA: El pulverizador puede tener agua residual cuando se abre por primera vez. Esto se debe a las pruebas de calidad a las que se somete cada pulverizador antes de salir de nuestra fábrica.



Retire la tapa del depósito (1), las tuercas y los tornillos (6), las fundas (4, 5) y las boquillas (13, 14, 15) del filtro del depósito (3). Reservar.

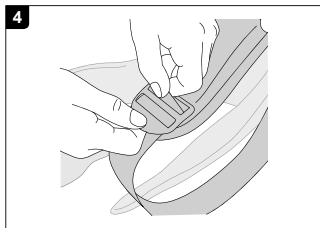


Lleve las ComfortStraps™ (11) a la parte inferior del depósito. Fije los clips de las correas inferiores a los bucles de la parte inferior del depósito.

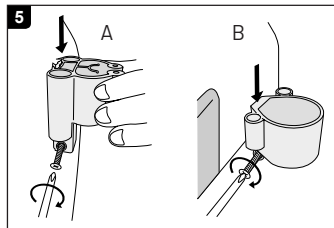


A continuación, deslice la correa ajustable a través del lazo superior del depósito. Continúe deslizando la correa por debajo y por encima de la hebilla. Tire ligeramente para asegurarse de que la correa está bien sujeta. Repita la operación en el otro lado.

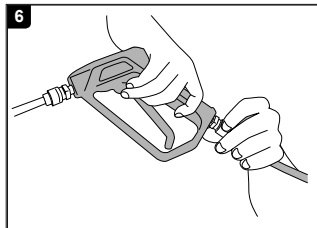
FZVAAK-3



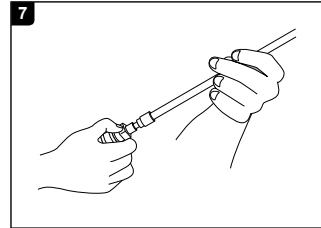
Si las correas de los hombros llegan separadas, fije la parte inferior a la hebilla ajustable utilizando el mismo método que antes.



Deslice la funda de la varilla superior sobre el soporte de la funda que sobresale en el depósito del pulverizador. Inserte una tuerca en un lado de la ranura hexagonal de la parte inferior de la funda y atornille el perno a través del otro lado utilizando un destornillador de cabeza Phillip hasta que el perno se fije en la tuerca. Repita el procedimiento para la funda/ranura inferior.



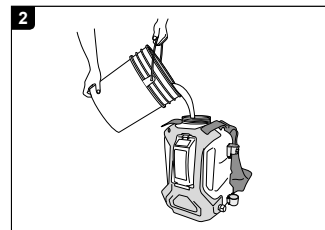
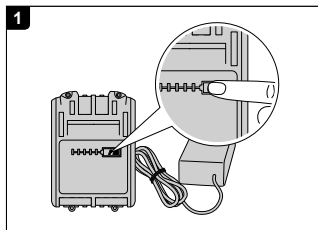
Tome la pistola pulverizadora (10) y acóplela al racor roscado del extremo de la manguera (12). Apriete el racor para asegurarse de que la junta sella correctamente la conexión.



Si pulveriza con la varilla pulverizadora de acero inoxidable (9), tire hacia atrás del collar de conexión rápida de la pistola pulverizadora e introduzca el extremo macho de la varilla pulverizadora. Vuelva a colocar el collarín de la conexión rápida en su posición original para fijar la varilla pulverizadora en el interior.

PULVERIZACIÓN

Preparación de la pulverización



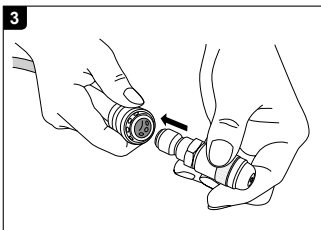
1 Aunque la batería (7) puede estar parcialmente cargada en el momento de la entrega, es esencial cargarla completamente antes de la primera operación. Una luz indicadora debe parpadear mientras la batería está enchufada y cargándose.

El nivel de carga puede verse activando las luces indicadoras de la batería pulsando sobre el icono de la batería.

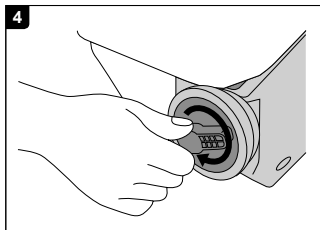
En un recipiente aparte, prepare la solución que desea pulverizar siguiendo las instrucciones del fabricante del producto químico. Retire la tapa del depósito y vierta cuidadosamente la solución a través del colador del depósito. Apriete bien la tapa del depósito.



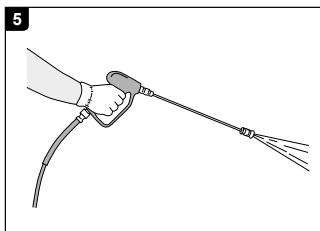
Cuando use productos químicos, use siempre ropa protectora, incluidas máscaras de protección respiratoria, guantes, protección para los ojos, etc.



Determine la boquilla que desea utilizar e insértela en la pistola o varilla de pulverización tirando hacia atrás del racor de conexión rápida. Una vez colocada la boquilla, empuje el collarín hasta su posición original. En la página 40 encontrará los caudales generales de cada boquilla.



Encienda la bomba girando el dial de presión variable en el sentido de las agujas del reloj hasta la posición deseada.



Para empezar a pulverizar, basta con mantener apretado el gatillo de la pistola.

Cebado del pulverizador

NOTA: Aunque es poco frecuente, al pulverizar por primera vez o después de almacenar el pulverizador durante un largo periodo de tiempo, es posible que el pulverizador necesite ayuda para cebarse. Si el pulverizador se enciende y puede oír el funcionamiento de la bomba, pero no pasa líquido por el pulverizador, deberá cebarlo manualmente siguiendo los pasos que se indican a continuación:

1. Con el pulverizador apagado, retire la batería y asegúrese de que la tapa de la batería está cerrada.
2. Retire la tapa del depósito y saque el filtro del depósito para ver el interior del depósito del pulverizador.
3. Localice el filtro de entrada en la parte inferior del depósito del pulverizador (consulte el diagrama 3 de la página 39 para obtener una representación visual). Mueva suavemente el filtro de entrada hasta que se separe de la conexión de la bomba. Déjelo a un lado.
4. Utilizando una manguera de jardín o un método de suministro similar, haga correr rápidamente agua limpia en la conexión donde estaba el filtro de entrada.
5. Vuelva a instalar el filtro de entrada con la malla orientada hacia el fondo del depósito, llene el pulverizador con un poco de agua e inserte una batería cargada. Pruebe el pulverizador accionando el gatillo de pulverización.



Escanee para ver las instrucciones en video o visite <https://fzspray.com/pages/troubleshoot#priming-sprayer>

CUIDADO POSTERIOR

Mantenimiento del pulverizador

PRECAUCIÓN: Si no se aclara correctamente el pulverizador, pueden acumularse residuos químicos que pueden obstruir o dañar los componentes internos y externos. Dejar líquidos químicos en el pulverizador cuando no se utiliza puede provocar un desgaste prematuro y anular la garantía. No almacene nunca el pulverizador con producto químico en su interior.

1. Con el pulverizador apagado, elimine el producto sobrante siguiendo las instrucciones del fabricante. Enjuague cualquier solución residual en el tanque de pulverización con agua tibia y jabón. A continuación, pulverice agua fresca a través del pulverizador durante 3-5 minutos para limpiar el pulverizador de productos químicos.
2. Desconecte la pistola pulverizadora de la manguera y deje que la manguera cuelgue hacia el suelo, vaciándola de líquido.
3. Seque completamente el depósito del pulverizador y limpie las boquillas y el filtro de entrada de cualquier acumulación.
4. Guarde el pulverizador en un lugar seco, limpio y a la sombra para protegerlo del calor extremo o las heladas.

Limpieza del filtro de entrada

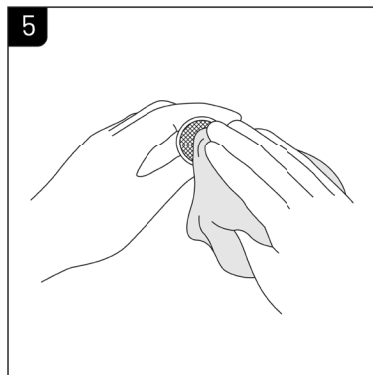
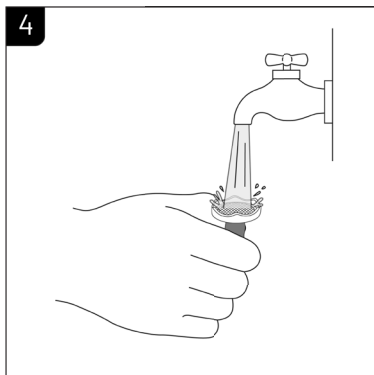
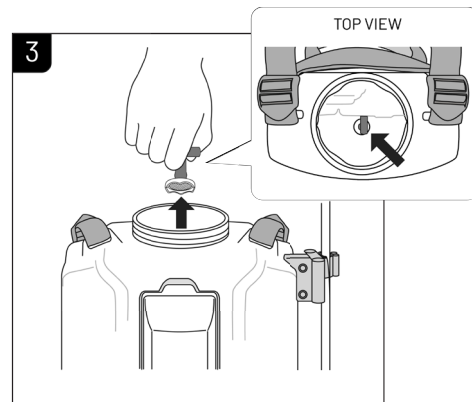
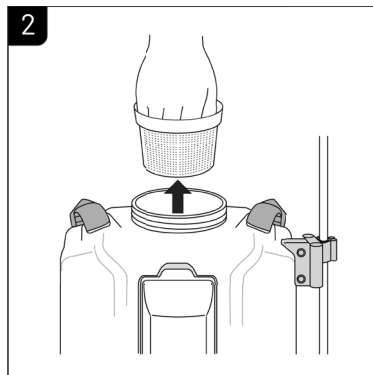
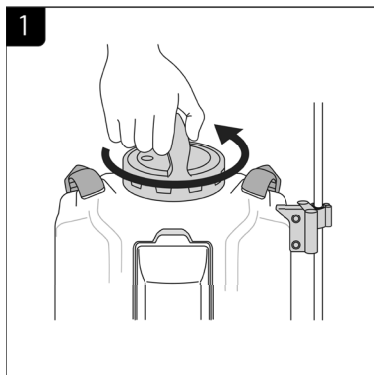
NOTA: Se recomienda limpiar el filtro de entrada al menos cada dos usos del pulverizador. La acumulación en el filtro de entrada puede dañar la bomba y reducir la presión de pulverización.


1. Con el pulverizador apagado y la batería quitada, quite la tapa del depósito.
2. Levante el colador del depósito de la boca del depósito del pulverizador y déjelo a un lado.
3. Introduzca la mano en el depósito del pulverizador y separe con cuidado el filtro de entrada de la conexión de la bomba situada en la parte inferior del depósito.
4. Enjuague el filtro de entrada con agua dulce y elimine cualquier resto o partícula.
5. Con un paño limpio, limpie la rejilla del filtro y seque el filtro de entrada. Vuelva a montar el pulverizador con el filtro de entrada y guarde la unidad en un lugar protegido.

NOTA

Para un almacenamiento prolongado, es necesario cargar la batería con regularidad para maximizar su vida útil. Compruebe el nivel de la batería mediante los indicadores luminosos cada 4 semanas. Recargue la batería si desciende por debajo de 3 bares. No deje que la batería se descargue por completo.

FZVAAK-3



	PRESIONES DE BOQUILLA Y TASAS DE FLUJO (TYPHOON 3)									
	Speed 1		Speed 2		Speed 3		Speed 4		Speed 5	
Nozzle	Flow Rate (LPM)	Pressure (Bar)	Flow Rate (LPM)	Pressure (Bar)	Flow Rate (LPM)	Pressure (Bar)	Flow Rate (LPM)	Pressure (Bar)	Flow Rate (LPM)	Pressure (Bar)
Brass Adjustable Nozzle (Misting Cone Position)	1.59	1.38	1.74	2.69	2.08	3.79	2.23	4.48	2.38	5.17
Brass Adjustable Nozzle (Jet Stream Position)	1.82	1.52	2.16	1.79	2.50	2.48	2.65	3.03	2.91	3.52
0° Pin Stream Nozzle	1.59	2.07	2.27	3.10	2.50	4.14	2.57	4.62	2.69	4.83
45° Fan Nozzle	1.59	2.07	2.38	3.79	2.57	4.14	2.57	4.27	2.69	4.48



La presión de rociado real y las tasas de flujo pueden variar. Siempre es una buena idea calibrar su rociador antes de usarlo.

SOLUCIÓN DE PROBLEMAS

Si su pulverizador no se enciende o no funciona como debería, visite fzspray.com/pages/troubleshoot para obtener instrucciones detalladas sobre cómo determinar correctamente la causa del problema.

Para ponerse en contacto con el servicio de asistencia técnica, envíe un correo electrónico a support@wessol.com o llame al **+1(803) 339-2500**.

Problema	Posible(s) causa(s)	Solución
El pulverizador no se enciende.	Batería agotada	Cargue la batería. Si la batería no se carga, compruebe el cargador o póngase en contacto con el servicio de asistencia para sustituirla, si procede.
	Pieza defectuosa o dañada	Siga las instrucciones de fzspray.com/pages/troubleshoot o póngase en contacto con el servicio de asistencia técnica.
Fugas del tanque.	Conexión de manguera suelta	Retire la placa de cubierta de plástico y localice la manguera conexión a la bomba. Apriete la abrazadera de la manguera.
Fugas de la pistola/boquilla.	Conexión de manguera suelta	Asegúrese de que la pistola pulverizadora esté completamente apretada en el extremo roscado de la manguera.
	Junta faltante o desgastada	Localice la pieza necesaria en la página 43 y póngase en contacto con el servicio de asistencia o visite fzspray.com para adquirirla.
Bomba / manguera / pistola / varilla / boquilla obstruidas	No aclarar las piezas con agua después de usarlas.	Desmonte y limpie a fondo las piezas. Enjuague el pulverizador con agua tibia y jabón después de cada uso.

Problema	Posible(s) causa(s)	Solución
Batería agotada.	Cargador defectuoso	Si las luces indicadoras LED no se encienden o sólo se enciende un LED rojo después de estar en el cargador durante más de 2 horas, pruebe el cargador con un multímetro. Sustitúyalo si es necesario.
	Células de iones de litio dañadas	Si la batería no recibe ninguna lectura de un multímetro, se necesita una batería de repuesto.
La bomba emite un sonido cuando el pulverizador está encendido, pero la salida es limitada.	Obstrucción en el filtro o en la boquilla	Compruebe si las piezas están obstruidas. Limpie a fondo los componentes con agua caliente.
	Atasco en la bomba	Retire la cubierta de plástico y localice la bomba. Retire y abra la bomba y limpie los residuos. Póngase en contacto con el servicio de asistencia para obtener ayuda.

FZVAAK-3

ACCESORIOS Y PIEZAS

Incluido con el pulverizador



FZAAGD
ComfortStraps™
Correas para mochila



FZAAEM
Batería de iones de litio TRI-ZONE™



FZAAEL
Cargador rápido de 21V/2,5Ah



FZRABV
Pistola pulverizadora



FZRAFL
Resistente a los rayos UV
Manguera de 1,5 metros



FZAAOL
Ajustable
Boquilla cónica



FZAAAM
Boquilla de abanico 45°



FZAAOK
0° Boquilla de chorro de espiga



FZRAAS
Varilla pulverizadora de acero inoxidable de 18



FZRAES
Conjunto de bomba y placa de circuito

Varillas pulverizadoras



FZAAKM
Varilla sin goteo de acero inoxidable



FZAALR
Varilla sin goteo de acero inoxidable con curva de 45°



FZAAAY
5-Metros varita telescópica



FZAAAC
Carro para cargas pesadas

Carrros



FZAAAZ
Carro de servicio pesado con manguera de extensión de 20 pies

Los accesorios y las piezas de repuesto se pueden comprar en su distribuidor preferido o en línea en fzspray.com.

FZVAAK-3

Adaptadores



FZAAEW
Conexión rápida a 110° TeeJet
Adaptador de boquilla



FZAACC
Adaptador para manguera de jardín



FZAADL
Adaptador de conexión rápida a M18 hembra



FZAAPE
Dewalt®/
Milwaukee®
Adaptador de batería



FZAAPD
Adaptador de batería Makita®

Boquillas



FZAAOX
Protector de deriva con boquilla TeeJet® 110°



FZAALV
Boquilla 5 en 1



FZRAFE
Servicio pesado
Bomba de diafragma



FZRAFJ
Placa de circuito



FZAADA
6 metros manguera de extensión

Mangueras

Varios



FZAANS
Soporte para pulverizador montado



FZAAML
15 litros cubierta del pulverizador



FZAANE
Soporte para linterna de varilla/boquilla



FZRAHZ
Kit de mecanismo de sellado de pistola



FZAAMP
Conjunto de boquilla TeeJet Juntas de PVC

Los accesorios y las piezas de repuesto se pueden comprar en su distribuidor preferido o en línea en fzspray.com.

GARANTÍA

COBERTURA DE LA GARANTÍA

WESSOL, LLC garantiza al comprador original que el producto FlowZone® funcionará según lo previsto en condiciones de uso normal y mantenimiento constante, sujeto a ciertas limitaciones y exclusiones. A discreción de WESSOL, LLC, repararemos o sustituiremos cualquier pieza que presente defectos de material o mano de obra sin cargo sin cargo alguno, aparte de los gastos de envío y manipulación, durante el periodo cubierto por la garantía.
período de garantía.

PERÍODO DE GARANTÍA

El periodo de garantía comenzará a partir de la fecha de compra al por menor y existirá durante un (1) año, independientemente de cuándo se ponga en servicio la unidad. El periodo de garantía no se ampliará si optamos por reparar o sustituir el producto en cuestión.

RECLAMACIONES DE GARANTÍA

WESSOL, LLC se reserva el derecho de exigir la devolución del producto defectuoso, la prueba de compra y el registro establecido del producto para presentar una reclamación en virtud de esta garantía.

REGISTRO DE PRODUCTOS

Todos los pulverizadores comprados a FlowZone® o a un distribuidor autorizado deben registrarse en línea para validar la garantía y permitir el procesamiento de las reclamaciones de garantía. Los pulverizadores pueden registrarse en fzspray.com/pages/register.

Para activar la garantía de su pulverizador, regístrelo en fzspray.com/pages/register. Si el producto no funciona según lo previsto, NO LO DEVUELVA A LA TIENDA. Para ver la garantía completa o presentar una reclamación, visite fzspray.com/pages/warranty.

EXCLUSIONES Y LIMITACIONES

WESSOL, LLC sólo garantiza los productos adquiridos a distribuidores autorizados. Los productos adquiridos a revendedores o distribuidores no autorizados no están sujetos a los servicios de garantía.

La garantía limitada no cubre los daños, pérdidas o lesiones resultantes del transporte, almacenamiento, accidente, uso inadecuado, negligencia, modificaciones, desgaste normal o funcionamiento no conforme al manual de instrucciones. WESSOL, LLC se reserva el derecho de cambiar el diseño o las especificaciones de cualquier producto sin obligación de modificar las unidades producidas anteriormente.

CUALQUIER GARANTÍA IMPLÍCITA, INCLUIDA LA GARANTÍA IMPLÍCITA DE COMERCIABILIDAD E IDONEIDAD PARA EL USO DEL CONSUMIDOR, ESTÁ LIMITADA A LA DURACIÓN ESPECIFICADA ANTERIORMENTE. LA RESPONSABILIDAD DE WESSOL, LLC SE LIMITA EXCLUSIVAMENTE A LA REPARACIÓN O SUSTITUCIÓN DEL PRODUCTO O PIEZA QUE NO FUNCIONE. WESSOL, LLC EXCLUYE LA RESPONSABILIDAD EN VIRTUD DE ESTA GARANTÍA POR CUALQUIER PÉRDIDA O DAÑO INCIDENTAL O CONSECUENTE.

En ningún caso WESSOL, LLC será responsable de ningún daño incidental, especial, consecuente o punitivo, ni de ningún coste, honorarios de abogados, gastos, pérdidas o retrasos que se aleguen como consecuencia de cualquier daño, fallo o defecto de cualquier producto, incluyendo, pero sin limitarse a, cualquier reclamación por pérdida de beneficios.

Algunos estados no permiten limitaciones en la duración de una garantía implícita, o la exclusión o limitación de daños incidentales o consecuentes, por lo que estas limitaciones o exclusiones pueden no aplicarse en su caso. Esta garantía le otorga derechos legales específicos y usted puede tener otros derechos que varían de un estado a otro.



fzspray.com

spraysquad@fzspray.com

CONECTE CON NOSOTROS:



[@FZSprayer](https://www.instagram.com/FZSprayer)



[@FZSpray](https://www.facebook.com/FZSpray)



[@FlowZoneSprayer](https://www.youtube.com/FlowZoneSprayer)



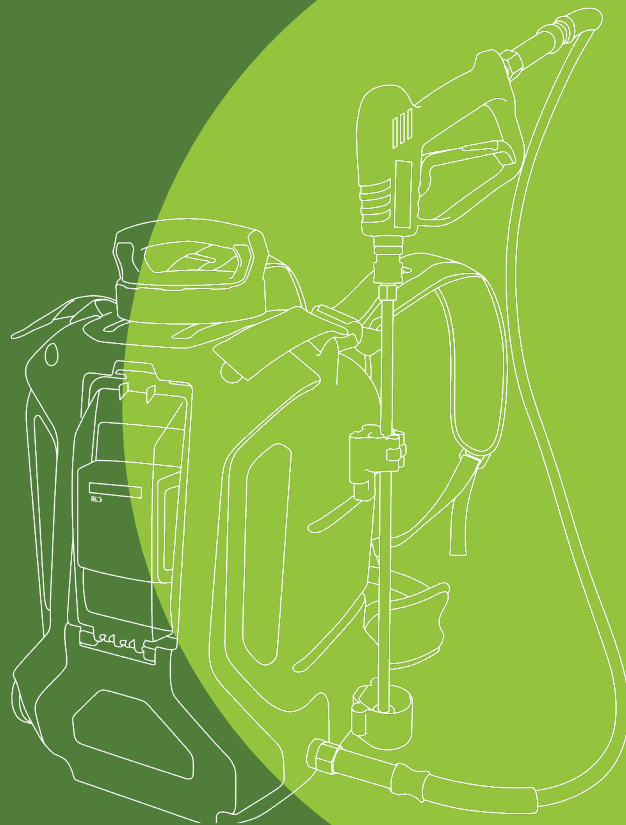
GUIDE D'UTILISATION

Modèle n° : FZVAAK-3

TYPHOON³

**PRESSION VARIABLE À 5 POSITIONS
PULVÉRISATEUR À DOS ALIMENTÉ PAR BATTERIE**

CAPACITÉ DU RÉSERVOIR DE 15 LITRES





ATTENTION

Veillez lire attentivement les informations suivantes. L'utilisateur doit lire et comprendre l'intégralité du manuel avant d'utiliser le pulvérisateur. Le non-respect des instructions ou une utilisation incorrecte peut entraîner une défaillance du pulvérisateur et d'éventuelles blessures graves.

- **Si vous rencontrez des problèmes ou si vous avez des questions, contactez notre équipe d'assistance technique du lundi au vendredi, de 9 h à 17 h, heure de l'Est, au 1 803 339-2500 ou à l'adresse suivante : emailsupport@wessol.com.**
- Never Pulvériser des produits chimiques inflammables, caustiques, acides, chauds, sous pression ou produisant des gaz.
- Après avoir utilisé le pulvérisateur avec des produits chimiques, il est important de pulvériser de l'eau fraîche pendant 3 à 5 minutes pour s'assurer que les produits chimiques résiduels dans le pistolet, la baguette, le réservoir, la pompe et le tuyau sont nettoyés
- Lisez et suivez toutes les instructions et mises en garde figurant sur l'étiquette des produits utilisés dans ce pulvérisateur
- Ne rangez pas votre pulvérisateur à des températures extrêmement élevées. La chaleur peut entraîner l'accumulation de pression dans le pulvérisateur, ce qui peut provoquer une explosion.
- Ne tentez pas de modifier le pulvérisateur. N'utilisez que des pièces de rechange du fabricant portant la marque FlowZone®.
- N'utilisez pas de piles humides ou endommagées.
- Avant chaque utilisation, vérifiez que le tuyau du pulvérisateur, le bouton d'alimentation, la lance et le pistolet ne sont pas endommagés et que les raccords ne sont pas desserrés
- Ne soulevez pas et ne portez pas le pulvérisateur par le tuyau ou la lance. Ne le transportez que par la poignée.
- Ne pulvériser que lorsque l'air est calme (pas de vent ou de

mouvement d'air) pour éviter que les produits chimiques pulvérisés ne dérivent vers des zones non souhaitées.

- Si vous ne nettoyez pas le pulvérisateur, vous risquez de contaminer les applications suivantes, d'user prématurément le produit et d'annuler la garantie du pulvérisateur.

NE JAMAIS pulvériser de distillats d'huile de pétrole ou d'acétone dans votre pulvérisateur. Si vous utilisez des huiles essentielles, nettoyez soigneusement le pulvérisateur après chaque utilisation avec de l'eau chaude et savonneuse.

NOTES

- Il se peut qu'il y ait de l'eau résiduelle dans le pulvérisateur lorsqu'il est ouvert pour la première fois, ce qui est dû aux tests de qualité que chaque prière subit avant de quitter notre usine
- Certaines pièces peuvent se trouver sous le couvercle du réservoir ou dans le compartiment des piles lors du premier assemblage du pulvérisateur
- **CE PULVÉRISATEUR EST CONÇU POUR FONCTIONNER UNIQUEMENT AVEC DES PILES ET DES ADAPTATEURS DE MARQUE FLOWZONE®. TOUTE AUTRE BATTERIE POURRAIT CAUSER DES BLESSURES GRAVES À L'UTILISATEUR ET ENDOMMAGER SÉRIEUSEMENT LE PULVÉRISATEUR.**

Ce produit contient des produits chimiques, y compris du plomb, connus dans l'État de Californie pour provoquer des malformations congénitales et d'autres effets nocifs sur la reproduction.



Lorsque vous utilisez des produits chimiques, portez toujours des vêtements de protection, notamment des masques de protection respiratoire, des gants, des lunettes de protection, etc.



Ne pas jeter les batteries lithium-ion avec les ordures ménagères ; les recycler là où il existe des installations.

FZVAAK-3

OPERATING

- Ne laissez pas la familiarité avec les produits vous rendre négligent. N'oubliez pas qu'un seul moment d'inattention suffit à provoquer des blessures graves.
- Portez toujours une protection oculaire avec des écrans latéraux lorsque vous manipulez ou utilisez ce pulvérisateur. Le non-respect de cette consigne peut entraîner des blessures graves par contact chimique ou projection de saletés ou de débris.
- Le bloc-piles au lithium-ion peut être utilisé à des températures allant jusqu'à 32°F. Lorsque vous travaillez par temps froid, placez le bloc-piles dans son compartiment et utilisez le pulvérisateur pour une application légère. Après environ une minute, le bloc-piles se réchauffera et commencera à fonctionner normalement.
- Utilisez toujours le réglage de puissance correct pour votre application. En utilisant le PSI et le débit corrects, vous obtiendrez un traitement plus sûr et plus complet. Pour les ressources d'étalonnage, veuillez contacter le support technique de FlowZone®. (Remarque : consultez toujours les lois et réglementations locales, nationales et fédérales concernant

votre application).

- N'utilisez pas le pulvérisateur si l'interrupteur d'alimentation ne fonctionne pas correctement. Tout outil électrique qui ne peut être contrôlé à l'aide de l'interrupteur est dangereux et doit être réparé.
- Retirez la batterie avant d'effectuer tout réglage, de changer d'accessoire ou de ranger le pulvérisateur. Débranchez le pulvérisateur de la source d'alimentation en retirant le bloc-piles. Ces mesures de sécurité préventives réduisent le risque de démarrage accidentel du pulvérisateur.

STOCKAGE

- Rangez le pulvérisateur hors de portée des enfants et ne laissez pas les personnes qui ne connaissent pas l'outil électrique ou ces instructions utiliser le pulvérisateur. Les outils électriques sont dangereux entre les mains d'utilisateurs non formés.
- Entretien les pulvérisateurs et les accessoires. Vérifiez que les pièces mobiles ne sont pas mal alignées ou coincées, qu'elles ne sont pas cassées et qu'elles ne présentent aucune autre condition susceptible d'affecter le fonctionnement du pulvérisateur.

SÉCURITÉ

Utilisez le pulvérisateur et les accessoires conformément à ces instructions, en tenant compte des conditions de travail et du travail à effectuer. L'utilisation de ce pulvérisateur pour des applications pour lesquelles il n'a pas été conçu peut entraîner une situation dangereuse.

Gardez les poignées et les points de levage secs, propres et exempts d'huile et de graisse. Des poignées et des points de levage glissants ne permettent pas une manipulation et un contrôle sûrs du pulvérisateur.

Risque d'incendie ou d'explosion : N'utilisez jamais ce pulvérisateur avec des liquides tels que l'essence, l'éthanol, le méthanol ou tout autre produit chimique inflammable ou produisant du gaz. N'utilisez pas le pulvérisateur à proximité d'étincelles, de flammes ou de fumée. Le non-respect de ces instructions peut provoquer une inflammation, entraînant des blessures potentielles et des dommages matériels.

Pour réduire les risques d'incendie,

de blessures corporelles et de dommages au produit dus à un court-circuit, ne jamais immerger le pulvérisateur, la batterie ou le chargeur dans des liquides. Ne pas placer ou ranger le pulvérisateur à un endroit où il pourrait tomber ou être tiré dans une baignoire ou un évier. Les liquides corrosifs ou conducteurs, tels que l'eau de mer, certains produits chimiques industriels, l'eau de Javel ou les produits contenant de l'eau de Javel, etc. peuvent provoquer un court-circuit.

- Risque de choc électrique : Ne jamais pulvériser en direction des prises électriques
- La zone de pulvérisation doit être bien ventilée pour éviter l'accumulation de fumées dangereuses. Consultez toujours l'étiquette du produit chimique utilisé pour connaître les consignes de sécurité et les pratiques d'utilisation appropriées.
- Évitez de pulvériser les jours de grand vent. Les produits chimiques pourraient être projetés sur des personnes, des plantes ou des objets qui ne sont pas destinés à être pulvérisés.

NE RENVOYEZ PAS LE PULVÉRISATEUR AU MAGASIN, si vous rencontrez des problèmes ou si vous avez des questions. Pour toute question, contactez notre service d'assistance à la clientèle, du lundi au vendredi, de 9 h à 17 h, heure de l'Est, à l'adresse suivante +1 (803) 339-2500, ou **par courriel**: support@wessol.com, ou pour plus d'informations: fzspray.com/pages/troubleshoot.

SÉCURITÉ CONT.

- Ne pas stocker de produits chimiques dans le réservoir. Les produits chimiques peuvent dégrader les joints et les tuyaux. Vidangez et nettoyez le pulvérisateur après chaque utilisation. Le non-respect de cette consigne peut annuler la garantie du pulvérisateur.
- Retirez vos gants avant de manipuler le bloc-piles. Les produits chimiques peuvent endommager les plastiques.
- Inspectez minutieusement l'intérieur, l'extérieur et tous les composants du pulvérisateur avant chaque utilisation. Vérifiez que les tuyaux ne sont pas fissurés ou détériorés, qu'il n'y a pas de fuites, que les buses ne sont pas bouchées et que les pièces ne sont pas manquantes ou endommagées. S'il est endommagé, assurez-vous que le pulvérisateur est réparé avant de l'utiliser. De nombreux accidents sont causés par un mauvais entretien.
- Retirez toujours le bloc-piles du pulvérisateur avant d'effectuer tout entretien, stockage ou vidange du pulvérisateur.
- Ne pas manger ou fumer pendant la manipulation ou l'utilisation du pulvérisateur. Se référer à l'étiquette du produit chimique utilisé pour les pratiques de sécurité de l'utilisateur.
- N'utilisez pas le compartiment à piles pour le stockage.
- Faites toujours preuve de bon sens et soyez prudent lorsque vous utilisez le pulvérisateur. Il n'est pas possible d'anticiper toutes les situations qui pourraient aboutir à un résultat dangereux. N'utilisez pas ce pulvérisateur si vous ne comprenez pas ces instructions d'utilisation ou si vous pensez que le travail dépasse vos capacités.
- Conservez les étiquettes et les plaques signalétiques. Elles contiennent des informations importantes. Si elles sont illisibles ou manquantes, contactez l'assistance FlowZone®.

Les manuels sont sujets à des mises à jour. Scannez le code QR pour consulter le manuel le plus récent en ligne !



ou visitez: www.fzspray.com/pages/operation-guides

ENREGISTREZ VOTRE PULVÉRISATEUR !

Pour bénéficier de la garantie limitée d'un an de WESSOL, LLC. Enregistrez votre pulvérisateur à l'adresse suivante site web ci-dessous :

fzspray.com/pages/register

Veillez lire et suivre attentivement ce manuel pour vous assurer que vous tirez le meilleur parti de votre nouveau pulvérisateur. Si vous avez besoin d'aide pour le montage ou le fonctionnement de votre pulvérisateur, n'hésitez pas à contacter WESSOL via les méthodes d'assistance ci-dessous :

fzspray.com

spraysquad@fzspray.com

LA BATTERIE

Ces batteries ont été conçues pour offrir une durée de vie maximale sans problème. Cependant, comme toutes les piles, elles finissent par s'user. Ne démontez pas le bloc de piles pour tenter de les remplacer. La manipulation de ces piles, surtout si vous portez des bagues ou des bijoux, peut entraîner de graves brûlures.

- Rechargez uniquement avec le chargeur spécifié par FlowZone®. Un chargeur adapté à un type de bloc-piles peut créer un risque d'incendie lorsqu'il est utilisé avec un autre bloc-piles.
- N'utilisez que les pulvérisateurs spécifiquement désignés avec les blocs de batteries correspondants. L'utilisation de tout autre bloc-piles peut entraîner un risque de blessure et d'incendie.
- Lorsque le bloc-piles n'est pas utilisé, tenez-le à l'écart d'autres objets métalliques, comme des trombones, des pièces de monnaie, des clés, des clous, des vis ou d'autres petits objets métalliques, qui peuvent établir une connexion d'une borne à l'autre. La mise en court-circuit des bornes de la batterie peut provoquer des brûlures ou des incendies.
- Dans des conditions abusives, un liquide peut être éjecté de la batterie ; évitez tout contact. En cas de contact accidentel, rincez à l'eau. Si le liquide entre en contact avec les yeux, consultez un médecin
- Le liquide éjecté de la batterie peut provoquer des irritations ou des brûlures.
- N'utilisez pas un bloc-piles ou un pulvérisateur qui est endommagé ou modifié. Les batteries endommagées ou modifiées peuvent présenter un

comportement imprévisible entraînant un incendie, une explosion ou un risque de blessure.

- Ne pas exposer un bloc-piles ou un pulvérisateur au feu ou à une température excessive. L'exposition au feu ou à une température supérieure à 265°F (130°C) peut provoquer une explosion.
- Suivez toutes les instructions de charge et ne chargez pas la batterie en dehors de la plage de température spécifiée dans les instructions. Une charge incorrecte ou à une température hors de la plage spécifiée peut endommager la batterie et augmenter le risque d'incendie.

RANGEMENT DU BLOC-PILES PLUS DE 30 JOURS

- Rangez le bloc-piles dans un endroit où la température est inférieure à 80°F et à l'abri de l'humidité.
- Pour un stockage à long terme, il est nécessaire de recharger régulièrement la batterie afin de maximiser sa durée de vie. Vérifiez le niveau de la batterie à l'aide des témoins lumineux toutes les 4 semaines. Rechargez la batterie si elle descend en dessous de 3 bars.
- Ne laissez pas la batterie se décharger complètement.

RECYCLAGE DES BATTERIES PRÉPARATION

- Afin de préserver les ressources naturelles, veuillez recycler ou éliminer les piles de manière appropriée.
- Ce produit contient des batteries au lithium-ion. Les lois locales, nationales ou fédérales peuvent interdire l'élimination des batteries au lithium-ion dans les poubelles ordinaires. Consultez les autorités locales chargées de la gestion des déchets pour obtenir des informations sur les possibilités de recyclage et/ou d'élimination.

BATTERIE LITHIUM-ION

- Les batteries au lithium-ion fournissent une puissance sans baisse de régime pendant toute leur durée de fonctionnement. Les batteries au lithium-ion ne perdent pas progressivement leur puissance en raison de la diminution de leur charge. Au lieu de cela, la puissance du bloc de batteries passe de pleine à zéro une fois que la charge complète de la batterie a été épuisée. Une fois que cela se produit, il faut recharger la batterie

BATTERIE CARACTÉRISTIQUES DE PROTECTION

- Les batteries au lithium-ion sont conçues avec des caractéristiques qui protègent les cellules au lithium-ion et maximisent la durée de vie de la batterie. Si le pulvérisateur s'arrête en cours d'utilisation, relâchez la gâchette pour réinitialiser et reprendre le fonctionnement. Si le pulvérisateur ne fonctionne toujours pas, la batterie doit être rechargée.

Si, au bout de 2 heures pendant le processus de charge, aucune des DEL n'est allumée, retirez le bloc-piles du chargeur pour éviter d'endommager le produit. N'insérez PAS une autre batterie. Contactez le service clientèle pour obtenir des instructions sur le remplacement de la batterie.

CONTENU

À PROPOS DE

- 07 Spécifications
- 08 Ce qu'il y a dedans
- 09 Schéma des pièces détachées

MISE EN PLACE

- 10 Assemblage du pulvérisateur
- 12 Comment pulvériser
- 14 Postcure

DÉPANNAGE

- 17 Solutions communes
- 19 Pièces et accessoires
- 21 Garantie

QUEL EST VOTRE PULVÉRISATEUR CAPABLE DE ?

Ce pulvérisateur FlowZone® est un pulvérisateur très efficace qui convient à la pulvérisation de nombreux types de produits chimiques et de solutions.

Alimenté par une batterie lithium-ion de 18V, ce pulvérisateur est plus efficace qu'un pulvérisateur manuel. Ce pulvérisateur peut fonctionner en continu jusqu'à 3 heures et pulvériser plus de 288 litres par charge de batterie à une distance de plus de 9 mètres !

FlowZone® TYPHOON 3™ Spécifications

Numéro de modèle	FZVAAK-3	Type de pompe	Robuste diaphragme
Type de batterie	Lithium-ion	Temps de pulvérisation	Jusqu'à 3 heures
Tension de la batterie	18V	Pression	Jusqu'à 115 psi
Capacité de la batterie	5.2Ah	Distance de pulvérisation	>9 mètres
Temps de charge de la batterie	1 heure	Capacité du réservoir	15 litres
Durée de vie de la batterie	1,000 cycles	Débit	0,45-4 litres/min
Chargeur de batterie	21V/2.5A	Durée de vie de la pompe	1 000 heures



EAU

FERTILIZER

HERBICIDE



FONGICIDE

PESTICIDE

DEICER



CLEANER

SCCELLANTS

ET BIEN PLUS
ENCORE!

FZVAAK-3



QU'EST-CE QUI SE PASSE À L'INTÉRIEUR ?

Pour les numéros de pièces et les pièces de rechange/accessoires, veuillez vous reporter aux pages 9 & 16.

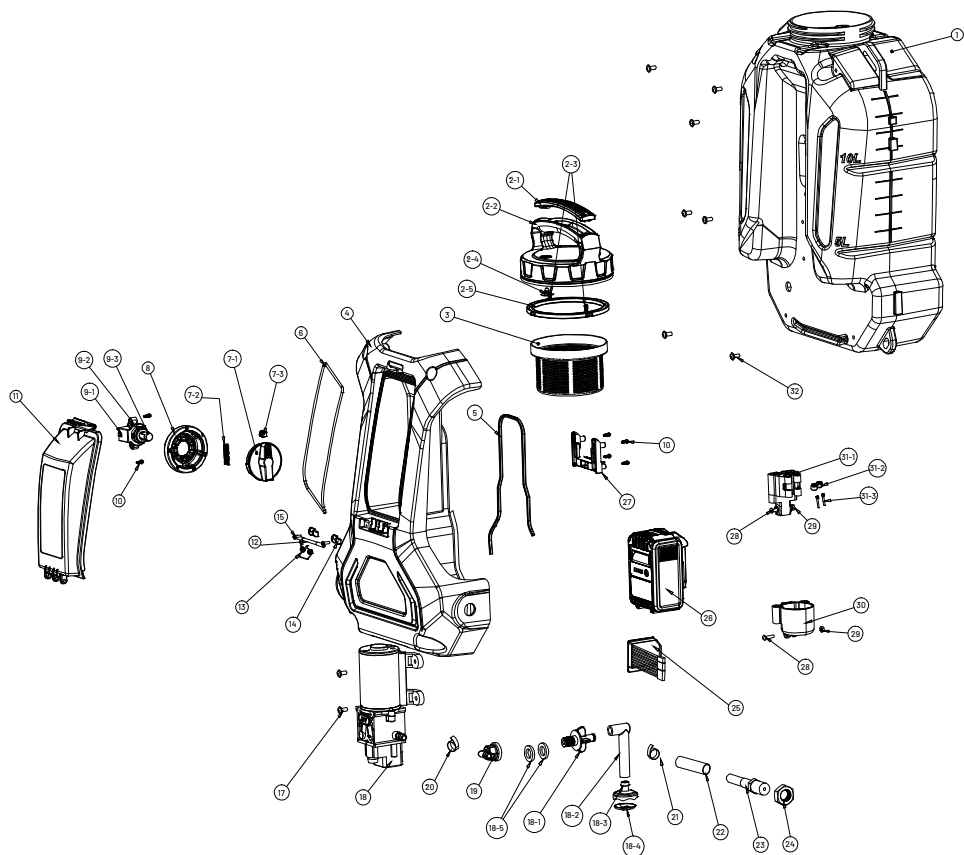
#	Nom	#	Nom	#	Nom
1	Couvercle du réservoir	7	Pack batterie 18V/5.2Ah	13	Buse à cône réglable
2	Réservoir de 15 litres	8	Chargeur de batterie 21V/2.5A	14	0° Pin Stream Buse
3	Crépine du réservoir	9	Baguette de pulvérisation en acier inoxydable	15	45° Buse de ventilateur
4	Étui supérieur	10	Pistolet à peinture		
5	Étui de fond	11	ComfortStraps™		
6	Ecrous et boulons	12	Tuyau de 1,5 mètre résistant aux UV		

FZVAAK-3

SCHÉMA DU PULVÉRISATEUR

et pièces de rechange

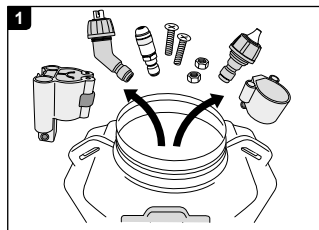
1	FZRAMZ	Réservoir de 15 litres	
2-1		Couvercle de la poignée	
2-2	FZRAEH	Couvercle du réservoir	
2-3		Vis	
2-4		Joint de pression	
2-5	FZRACK	Joint du couvercle du réservoir	
3	FZABW	Crépine du réservoir	
4		Plaque de couverture avant	
5		Joint en U	
6		Bande d'étanchéité	
7-1		Cadran de pression	
7-2	FZRAOH	Ressort	
7-3		Plaque de montage	
8		Anneau à 5 vitesses	
9-1		Interrupteur	
9-2		Poignée longue	
9-3		Logement	
10		Vis	
11		Porte de la batterie	
12	FZRAEG	Pivot de porte	
13		Assemblage du couvercle de la batterie	
14		Ressort de porte	
15		Pince de pivot de porte	
16	FZRAOB	Pompe	
17		Pompe à diaphragme haute pression	
18-1		Connecteur d'entrée	
18-2	FZRAGK	Tube d'entrée	
18-3		Filtre d'entrée de la pompe	
18-4		Boîtier du collecteur d'admission	
18-5	FZRAEL	Écran d'entrée	
19		Joint d'entrée	
20		Raccord coudé d'entrée	
21		Collier de serrage américain	
22		Collier de serrage allemand	
23		Tube de sortie	
24		Tuyau et raccord de sortie	
25		M18x1,5 Écrou	
26	FZRAFJ	Carte de circuit imprimé	
27	FZAAEM	Batterie 18V/5.2Ah TRI-ZONE™ Li-Ion	
28		Étui à piles	
29		Vis	
30		Écrou	
31	FZRANK	Étui pour baguette inférieure	
31-1		FZANIL	Étui pour baguette supérieure
31-2			Rouleau
31-3			Broche
32			Vis M5*11

SCALE
0.500

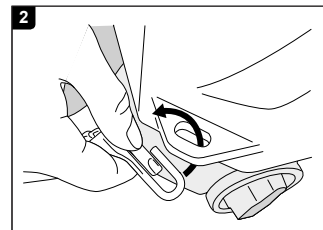
POUR COMMENCER

Réglage de votre pulvérisateur

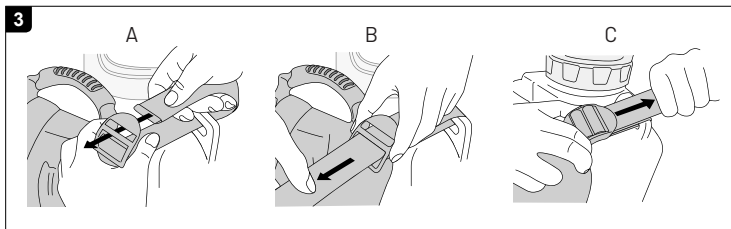
REMARQUE : Le pulvérisateur peut contenir des résidus d'eau lorsqu'il est ouvert pour la première fois. Ceci est dû aux tests de qualité que chaque pulvérisateur subit avant de quitter notre usine.



Retirez le couvercle du réservoir (1). Retirez les écrous et les boulons (6), les étuis (4, 5) et les buses (13, 14, 15) de la crépine du réservoir (3). Mettez de côté.

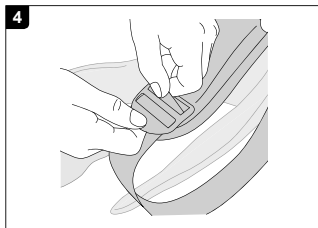


Amenez les ComfortStraps™ (11) au fond du réservoir. Fixez les clips de la sangle inférieure aux boucles situées au bas du réservoir.

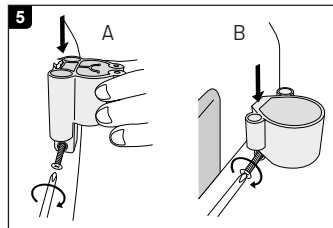


Ensuite, faites glisser la sangle réglable dans la boucle supérieure du réservoir. Continuez en faisant glisser la sangle sous et sur la boucle. Tirez légèrement sur la sangle pour vous assurer qu'elle est bien fixée. Répétez l'opération de l'autre côté.

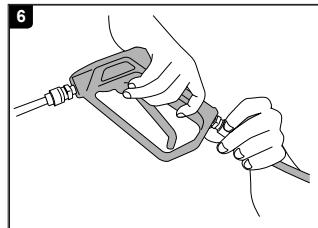
FZVAAK-3



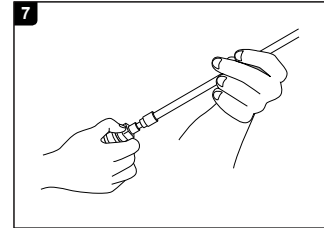
Si les bretelles arrivent détachées, fixez le bas à la boucle réglable en utilisant la même méthode que précédemment.



Faites glisser l'étui supérieur de la baguette sur le support d'étui en saillie sur le réservoir du pulvérisateur. Insérez un écrou d'un côté de la fente hexagonale du bas de l'étui et vissez le boulon de l'autre côté à l'aide d'un tournevis à tête cruciforme jusqu'à ce que le boulon se fixe dans l'écrou. Répétez l'opération pour l'étui/la fente du bas.



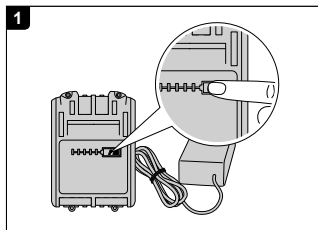
Prenez le pistolet de pulvérisation (10) et fixez-le au raccord fileté à l'extrémité du tuyau (12). Serrez le raccord pour vous assurer que le joint d'étanchéité scelle correctement la connexion.



Si vous pulvérisez avec la lance de pulvérisation en acier inoxydable (9), tirez vers l'arrière sur le collier du raccord rapide du pistolet de pulvérisation et insérez l'extrémité mâle de la lance de pulvérisation. Repoussez le collier du raccord rapide dans sa position initiale pour fixer la lance de pulvérisation à l'intérieur.

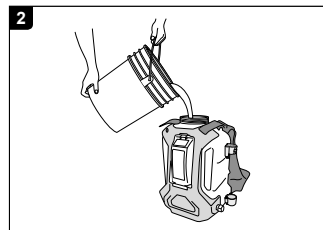
PULVÉRISATION

Préparation de la pulvérisation



Bien que la batterie (7) puisse être partiellement chargée à la livraison, il est essentiel de la charger complètement avant la première utilisation. Un témoin lumineux doit clignoter lorsque la batterie est branchée et en charge.

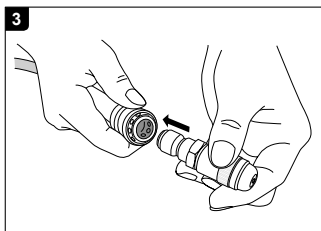
Le niveau de charge peut être visualisé en activant les témoins lumineux de la batterie en appuyant sur l'icône de la batterie.



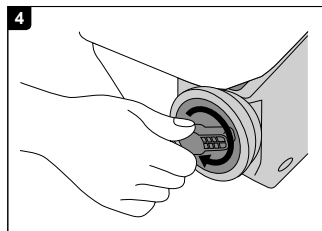
Dans un autre récipient, préparez la solution que vous souhaitez pulvériser en suivant les instructions du fabricant du produit chimique. Retirez le couvercle du réservoir et versez soigneusement la solution dans la crépine du réservoir. Serrez fermement le couvercle du réservoir.



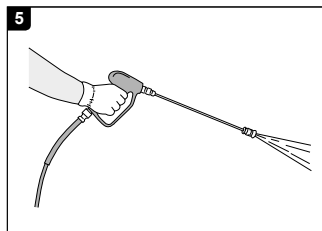
When using chemicals, always wear protective clothing, including respiratory protection masks, gloves, eye protection, etc.



Déterminez la buse que vous souhaitez utiliser et insérez-la dans le pistolet ou la lance de pulvérisation en tirant sur le raccord rapide. Une fois la buse en place, repoussez le collier dans sa position initiale. Les débits généraux pour chaque buse sont indiqués à la page 64.



Mettez la pompe en marche en tournant le cadran de pression variable dans le sens des aiguilles d'une montre jusqu'à la position désirée.



Pour commencer à pulvériser, il suffit d'appuyer sur la gâchette du pistolet.

Apprêter votre pulvérisateur

REMARQUE : Bien que cela soit rare, lors de la première pulvérisation ou après avoir rangé le pulvérisateur pendant une période prolongée, le pulvérisateur peut avoir besoin d'aide pour s'amorcer. Si le pulvérisateur s'allume et que vous pouvez entendre la pompe fonctionner, mais qu'aucun liquide ne passe dans le pulvérisateur, vous devrez amorcer manuellement le pulvérisateur en suivant les étapes ci-dessous :

1. Lorsque le pulvérisateur est éteint, retirez la batterie et assurez-vous que le couvercle de la batterie est fermé.
2. Retirez le couvercle du réservoir et sortez la crépine du réservoir pour découvrir l'intérieur du réservoir de votre pulvérisateur.
3. Localisez le filtre d'entrée au fond de la cuve du pulvérisateur (voir le schéma 3 à la page 63 pour une représentation visuelle). Déplacez doucement le filtre d'entrée jusqu'à ce qu'il se détache du raccord de la pompe. Mettre de côté.
4. À l'aide d'un tuyau d'arrosage ou d'une méthode de distribution similaire, faites couler rapidement de l'eau propre dans le raccord où se trouvait le filtre d'entrée.
5. Réinstallez le filtre d'entrée en orientant la grille vers le fond du réservoir, remplissez le pulvérisateur avec de l'eau et insérez une batterie chargée. Testez le pulvérisateur en activant la gâchette de pulvérisation.



Scanner pour obtenir des instructions vidéo ou visiter <https://fzspray.com/pages/troubleshoot#priming-sprayer>

POSTCURE

Entretien des pulvérisateurs

ATTENTION: Si le pulvérisateur n'est pas correctement rincé, des résidus de produits chimiques peuvent s'accumuler et obstruer ou endommager les composants internes et externes. Le fait de laisser des liquides chimiques dans le pulvérisateur lorsqu'il n'est pas utilisé peut entraîner une usure prématurée et l'annulation de la garantie. Ne jamais stocker le pulvérisateur avec des produits chimiques à l'intérieur.

1. Lorsque le pulvérisateur est éteint, éliminez le surplus de produit en suivant les instructions du fabricant. Rincez toute solution résiduelle dans le réservoir du pulvérisateur avec de l'eau chaude savonneuse. Ensuite, pulvérisez de l'eau fraîche dans le pulvérisateur pendant 3 à 5 minutes pour éliminer les produits chimiques du pulvérisateur.
2. Débranchez le pistolet de pulvérisation du tuyau et laissez le tuyau pendre vers le sol ; videz le tuyau de tout liquide.
3. Séchez complètement le réservoir du pulvérisateur et nettoyez les buses et le filtre d'entrée de toute accumulation.
4. Rangez le pulvérisateur dans un endroit sec, propre et ombragé pour le protéger de la chaleur extrême ou du gel.

Nettoyage du filtre d'entrée

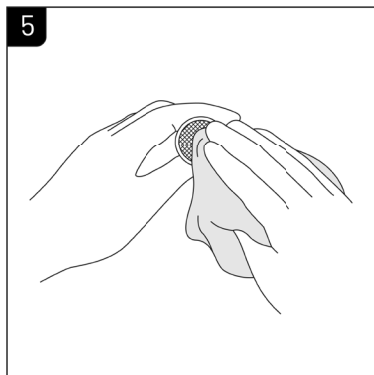
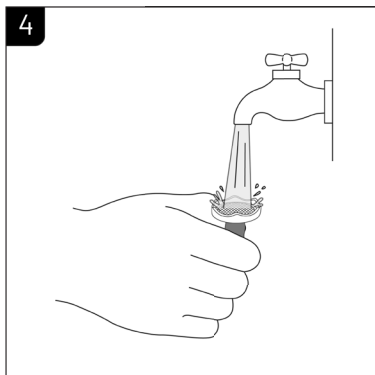
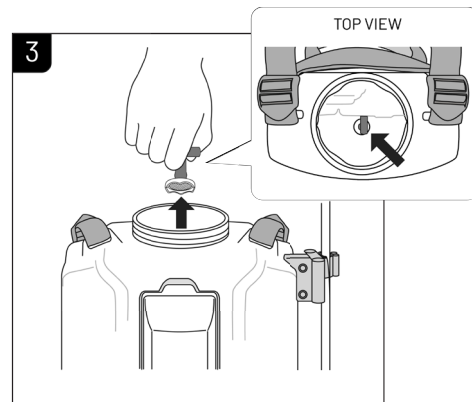
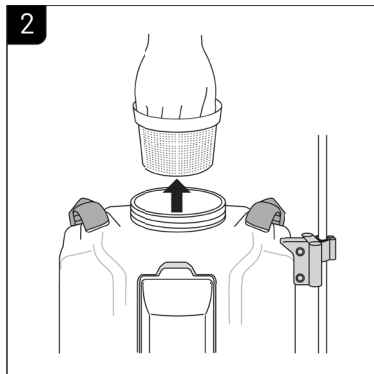
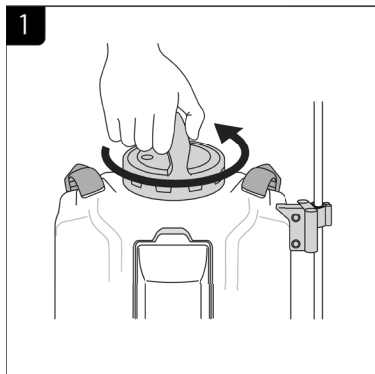
NOTE: Il est recommandé de nettoyer le filtre d'entrée au moins toutes les deux utilisations du pulvérisateur. L'accumulation dans le filtre d'entrée peut endommager la pompe et réduire la pression de pulvérisation.


1. Une fois le pulvérisateur éteint et la batterie retirée, retirez le couvercle du réservoir.
2. Sortez la crépine de la bouche de la cuve du pulvérisateur et mettez-la de côté.
3. Passez la main dans le réservoir du pulvérisateur et faites délicatement levier sur le filtre d'entrée pour le séparer de la connexion de la pompe au fond du réservoir.
4. Rincez le filtre d'entrée à l'eau douce et débarrassez-vous de tous les débris ou particules.
5. À l'aide d'un chiffon propre, essuyez la grille du filtre et séchez le filtre d'entrée. Remontez le pulvérisateur avec le filtre d'entrée et rangez l'appareil dans un endroit protégé.

NOTE

Pour un stockage à long terme, il est nécessaire de recharger régulièrement la batterie afin de maximiser sa durée de vie. Vérifiez le niveau de la batterie à l'aide des témoins lumineux toutes les 4 semaines. Rechargez la batterie si elle tombe en dessous de 3 bars. Ne laissez pas la batterie se décharger complètement.

FZVAAK-3



 DÉBITS ET PRESSION AUX BUSES (TYPHOON 3)										
Nozzle	Speed 1		Speed 2		Speed 3		Speed 4		Speed 5	
	Flow Rate (LPM)	Pressure (Bar)	Flow Rate (LPM)	Pressure (Bar)	Flow Rate (LPM)	Pressure (Bar)	Flow Rate (LPM)	Pressure (Bar)	Flow Rate (LPM)	Pressure (Bar)
Brass Adjustable Nozzle (Misting Cone Position)	1.59	1.38	1.74	2.69	2.08	3.79	2.23	4.48	2.38	5.17
Brass Adjustable Nozzle (Jet Stream Position)	1.82	1.52	2.16	1.79	2.50	2.48	2.65	3.03	2.91	3.52
0° Pin Stream Nozzle	1.59	2.07	2.27	3.10	2.50	4.14	2.57	4.62	2.69	4.83
45° Fan Nozzle	1.59	2.07	2.38	3.79	2.57	4.14	2.57	4.27	2.69	4.48



La pression de pulvérisation et les débits réels peuvent varier. C'est toujours une bonne idée de calibrer votre pulvérisateur avant de l'utiliser.

DÉPANNAGE

Si votre pulvérisateur ne s'allume pas ou ne fonctionne pas comme il le devrait, visitez fzspray.com/pages/troubleshoot pour obtenir des instructions détaillées sur la façon de déterminer correctement la cause du problème.

Pour contacter le support technique, envoyez un courriel à support@wessol.com ou appelez le **+1 (803) 339-2500**.

Problème	Cause(s) possible(s)	Solution
Le pulvérisateur ne se met pas en marche.	Batterie morte	Chargez la batterie. Si la batterie ne se charge pas, testez le chargeur ou contactez l'assistance pour un remplacement, le cas échéant.
	Pièce défectueuse ou endommagée	Suivez les instructions sur fzspray.com/pages/troubleshoot ou contactez l'assistance pour obtenir des conseils.
Fuites du réservoir.	Raccordement du tuyau desserré	Retirez la plaque de recouvrement en plastique et localisez le tuyau connexion à la pompe. Serrez le collier de serrage.
Fuites du pistolet/de la buse.	Raccordement du tuyau desserré	Assurez-vous que le pistolet de pulvérisation est entièrement serré sur l'extrémité fileté du tuyau.
	Joint d'étanchéité manquant ou usé	Trouvez la pièce nécessaire à la page 67 et contactez le service d'assistance ou visitez fzspray.com pour l'acheter.
Pompe / tuyau / pistolet / baguette / buse bouchée	Ne pas rincer les pièces à l'eau après utilisation.	Démontez et nettoyez soigneusement les pièces. Rincez le pulvérisateur à l'eau chaude savonneuse après chaque utilisation.

Problem	Possible Cause(s)	Solution
Batterie morte.	Chargeur défectueux	Si les voyants lumineux ne s'allument pas ou qu'un seul voyant rouge est allumé après avoir été sur le chargeur pendant plus de 2 heures, testez le chargeur avec un multimètre. Remplacez-les si nécessaire.
	Cellules Lithium-Ion endommagées	Si la batterie ne reçoit aucune lecture d'un multimètre, une batterie de remplacement est nécessaire.
La pompe émet un son lorsque le pulvérisateur est en marche, mais le débit est limité.	Colmatage du filtre ou de la buse	Vérifiez que les pièces ne sont pas obstruées. À l'aide d'eau chaude, nettoyez soigneusement les composants.
	Colmatage de la pompe	Retirez la plaque de recouvrement en plastique et localisez la pompe. Retirez puis ouvrez la pompe et nettoyez les débris. Contactez le service d'assistance pour obtenir de l'aide.

ACCESSOIRES ET PIÈCES

Inclus dans le pulvérisateur



FZAAGD

Sangles de sac à dos Comfort-Straps™



FZAAEM

Batterie Li-Ion TRI-ZONE™



FZAAEL

Chargeur rapide 21V/2.5A



FZRABV

Pistolet à peinture



FZRAFL

Résistant aux UV
Tuyau de 1,5 mètre



FZAAOL

Réglable
Buse à cône



FZAA NM

45° Buse de ventilateur



FZAAOK

0° buse à jet de broches



FZRAAS

Baguette de pulvérisation de 18 po en acier



FZRAES

Assemblage de la pompe et du circuit imprimé

Baguettes de pulvérisation



FZAAKM

Baguette anti-goutte en acier inoxydable



FZAA LR

Baguette sans alcool en acier inoxydable avec un coude de 45°.



FZAA NY

5-Mètre baguette télescopique



FZAA BC

Chariot à usage intensif

Chariots



FZAA AZ

Chariot à usage intensif avec tuyau de rallonge de 20 pieds

Les accessoires et les pièces de rechange peuvent être achetés auprès de votre distributeur préféré ou en ligne sur fzspray.com.

FZVAAK-3

Adaptateurs



FZAAEW
Raccordement rapide au 110° Tee-Jet® Adaptateur de buse



FZAACC
Adaptateur pour tuyau d'arrosage



FZAADL
Adaptateur M18 femelle à connexion rapide



FZAAPE
Dewalt®/ Milwaukee® Adaptateur de batterie



FZAAPD
Adaptateur de batterie Makita

Buses



FZAAOX
Protection contre la dérive avec buse 110° TeeJet®



FZAALV
Buse 5 en 1



FZRAFE
Pompe à diaphragme



FZRAFJ
Carte de circuit imprimé



FZAADA
6-Mètre tuyau d'extension

Flexibles

Divers



FZAANS
Support de pulvérisateur monté



FZAAML
15 litres couverture du pulvérisateur



FZAANE
Support de lampe de poche pour baguette/buse



FZRAHZ
Kit de mécanisme d'étanchéité pour pistolet de pulvérisation



FZAAMP
Joints en PVC pour l'ensemble des buses TeeJet®

Les accessoires et les pièces de rechange peuvent être achetés auprès de votre distributeur préféré ou en ligne sur fzspray.com.

GARANTIE

COUVERTURE DE LA GARANTIE

WESSOL, LLC garantit à l'acheteur original que le produit FlowZone® fonctionnera comme prévu dans des conditions normales d'utilisation et d'entretien, sous réserve de certaines limitations et exclusions. À la discrétion de WESSOL, LLC, nous réparerons ou remplacerons toute pièce présentant un défaut de matériau ou de fabrication sans frais, à l'exception des frais d'expédition et de manutention, pendant la période couverte par la garantie.

période de garantie.

PÉRIODE DE GARANTIE

La période de garantie commence à la date d'achat au détail et dure un (1) an, indépendamment de la date de mise en service de l'appareil. La période de garantie n'est pas prolongée si nous choisissons de réparer ou de remplacer le produit en question.

DEMANDES DE GARANTIE

WESSOL, LLC se réserve le droit d'exiger le retour du produit défectueux, la preuve d'achat, et l'enregistrement établi du produit pour déposer une réclamation sous cette garantie.

ENREGISTREMENT DU PRODUIT

Tous les pulvérisateurs achetés auprès de FlowZone® ou d'un distributeur agréé doivent être enregistrés en ligne pour valider la garantie et permettre le traitement des demandes de garantie. Les pulvérisateurs peuvent être enregistrés à l'adresse suivante fzspray.com/pages/register.

Pour activer la garantie de votre pulvérisateur, enregistrez-le sur fzspray.com/register. Si le produit ne fonctionne pas comme prévu, **NE LE RETOURNEZ PAS AU MAGASIN**. Pour consulter la garantie complète ou soumettre une réclamation, rendez-vous sur le site fzspray.com/pages/warranty.

EXCLUSIONS ET LIMITATIONS

WESSOL, LLC garantit uniquement les produits achetés auprès de distributeurs autorisés. Les produits achetés auprès de revendeurs ou de distributeurs non autorisés ne sont pas soumis aux services de garantie.

La garantie limitée ne couvre pas les dommages, les pertes ou les blessures résultant du transport, du stockage, d'un accident, d'une mauvaise utilisation, de la négligence, de modifications, de l'usure normale ou d'une utilisation non conforme au manuel d'instructions. WESSOL, LLC se réserve le droit de changer la conception ou les spécifications de tout produit sans obligation de modifier les unités produites précédemment.

TOUTE GARANTIE IMPLICITE, Y COMPRIS LA GARANTIE IMPLICITE DE QUALITÉ MARCHANDE ET D'ADÉQUATION À L'USAGE DU CONSOMMATEUR, EST LIMITÉE À LA DURÉE SPÉCIFIÉE CI-DESSUS. LA RESPONSABILITÉ DE WESSOL, LLC EST LIMITÉE UNIQUEMENT À LA RÉPARATION OU AU REMPLACEMENT DU PRODUIT OU DE LA PIÈCE NON FONCTIONNELLE. WESSOL, LLC EXCLUT TOUTE RESPONSABILITÉ DANS LE CADRE DE CETTE GARANTIE POUR TOUTE PERTE OU TOUT DOMMAGE ACCIDENTEL OU CONSÉCUTIF.

En aucun cas, WESSOL, LLC ne sera responsable de tout dommage accidentel, spécial, consécutif ou punitif, ou de tout coût, frais d'avocat, dépenses, pertes ou retards supposés être la conséquence de tout dommage, panne ou défaut de tout produit, y compris, mais sans s'y limiter, toute réclamation pour perte de profits.

Certains États n'autorisent pas la limitation de la durée d'une garantie implicite, ni l'exclusion ou la limitation des dommages accessoires ou indirects, de sorte que ces limitations ou exclusions peuvent ne pas s'appliquer à votre cas. Cette garantie vous donne des droits légaux spécifiques et vous pouvez avoir d'autres droits qui varient d'un état à l'autre.

FZVAAK-3



fzspray.com

spraysquad@fzspray.com

CONNECTEZ-VOUS AVEC NOUS :



[@FZSprayer](https://www.instagram.com/FZSprayer)



[@FZSpray](https://www.facebook.com/FZSpray)



[@FlowZoneSprayer](https://www.youtube.com/FlowZoneSprayer)