

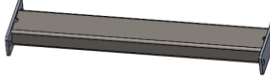

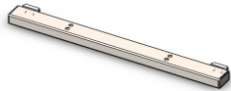
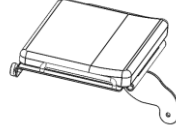
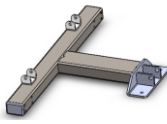
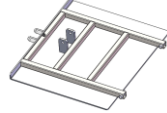
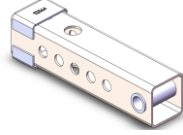

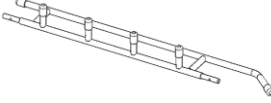
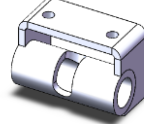
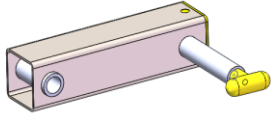
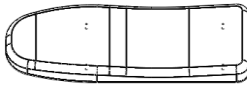



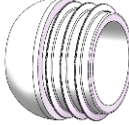


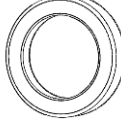






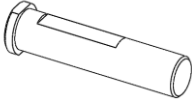





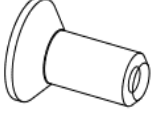
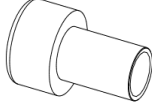
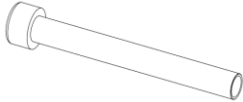

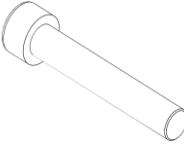

PRENSA JACA - PRENSA DE PIERNAS + HACK SQUAT

MANUAL DE INSTRUCCIONES



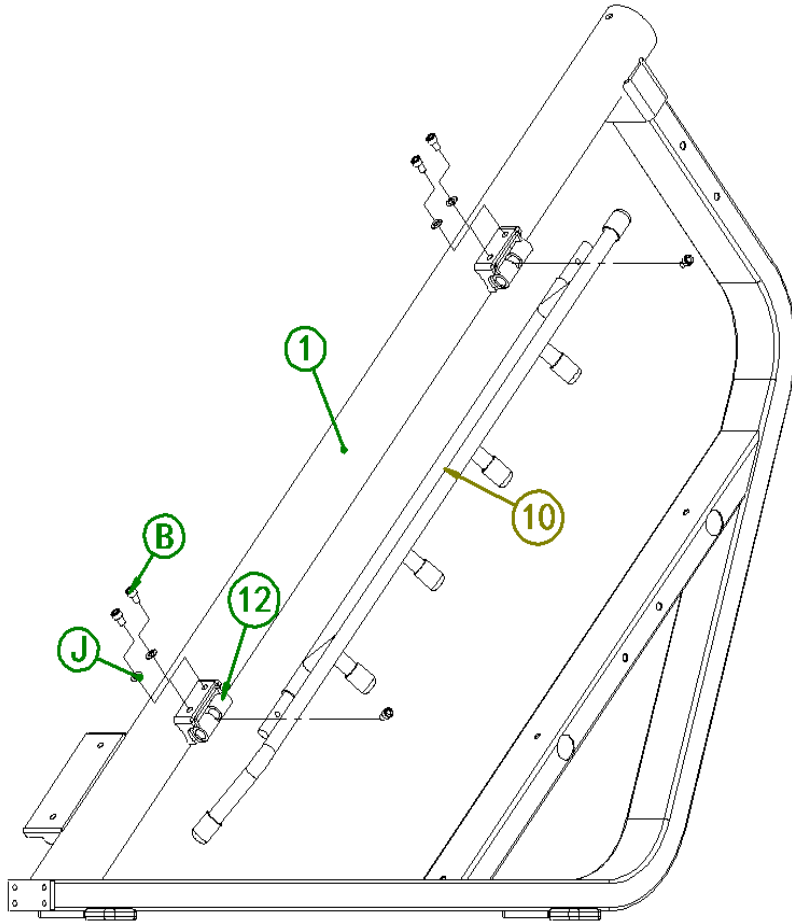
Parts list (individual packaging)

								
NO 1	frame right component*1 pcs	NO 2	frame left component*1 pcs	NO 3	Crossbar connection*2 pcs			
								
NO 4	moving component *1pcs	NO 5	limit component *1pcs	NO 6	Seat Adjustable *1pcs			
								
NO 7	lower seat base*1pcs	NO 8	leg press component*1pcs	NO 9	gear component*1pcs			
								
NO 10	right gear lever*1pcs	NO 11	left gear lever * 1pcs	NO 12	Handrail swivel cover*4pcs			
								
NO 13	adjustable gear*1pcs	NO 14	back seat*1pcs	NO 15	seat *1pcs			
								
NO 16	Metal *1pcs	NO 17	plate rack *4pcs	NO 18	pipe plugs* 8pcs			
								

NO 19	stack pipe *1pcs	NO 20	stainless plug *2pcs	NO 21	cover *2pcs
					
NO 22	rubber cover *4pcs	NO 23	firm slide *2pcs	NO 24	seat shaft A *2 pcs
					
NO 25	seat shaft B *2pcs	NO 26	pins *1pcs	NO 27	Copper BushingΦ22*12mm *2pcs
					
NO 28	Copper BushingΦ30*11.5mm *2pcs	NO 29	pipe plug *2pcs		
					
Blister pack screw schedule					
					
A	M10*25 screw *4pcs	B	10*16 screw	C	M10*90 screw
					
D	M10*120 screw	E	M10*60 screw	F	M12*60 screw
G		H		I	

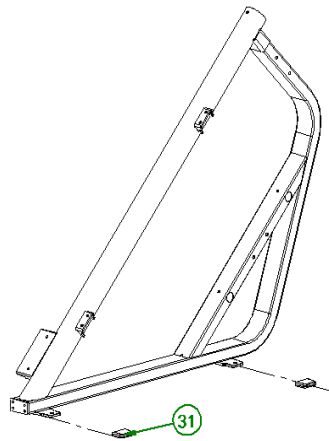
Assembly steps

Step NO	Item NO	Name	Quantity	Item NO	Name	Quantity
1	1	frame right component	1	B	M10*16 screw	6
	10	right gear lever	1	J	Φ10 gaskets	4
	12	Handrail swivel cover	2			



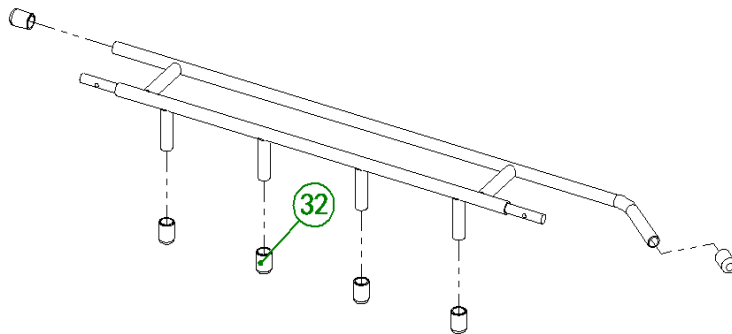
NO 1 frame right component *1pcs

Step NO	Item NO	Name	Quantity	Item NO	Name	Quantity
	31	rubber cover	2			

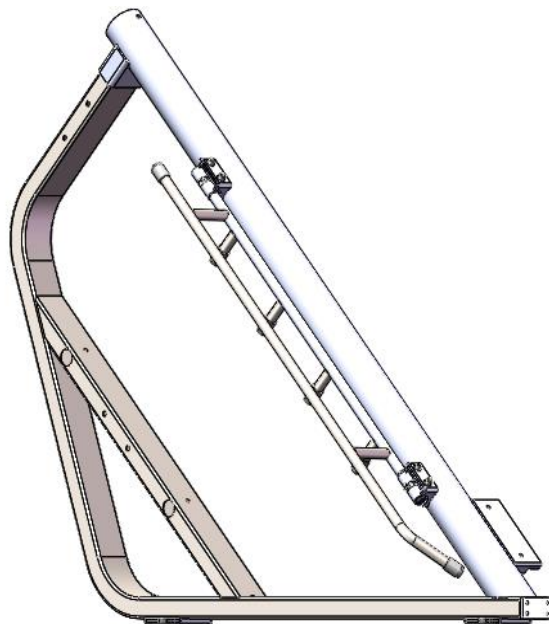
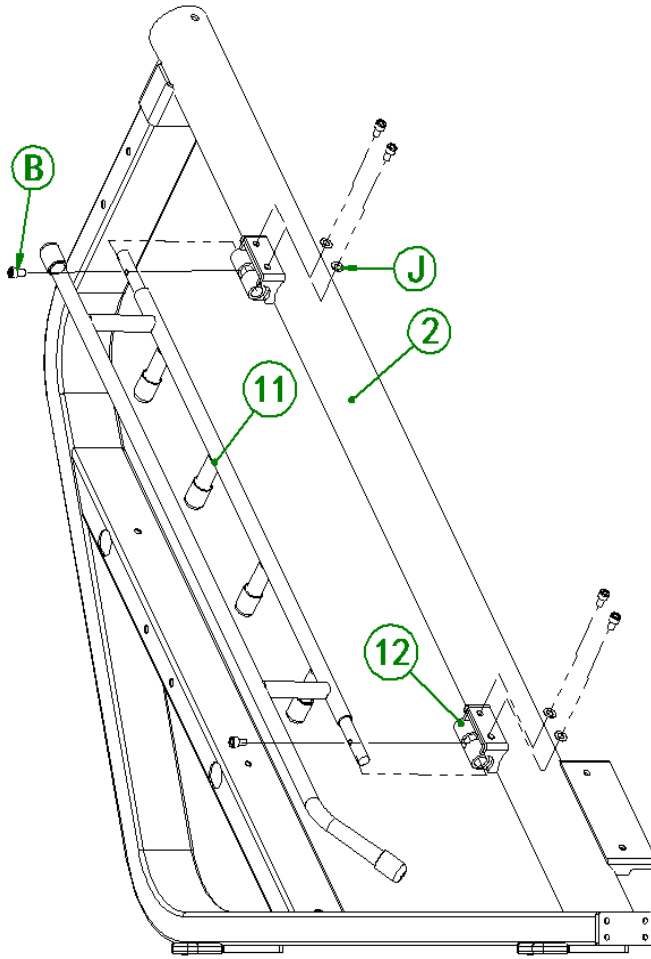


NO 10 right gear lever *1pcs

Step NO	Item NO	Name	Quantity	Item NO	Name	Quantity
	32	rubber gasket	6			

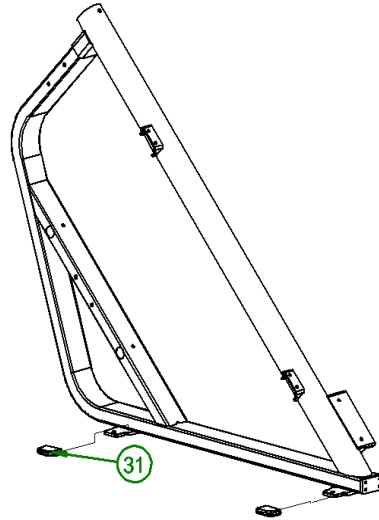


Step NO	Item NO	Name	Quantity	Item NO	Name	Quantity
	11	left gear lever	1	2	frame left component	1
	12	Handrail swivel cover	2	B	M10*16 screw	4
				J	Φ10 gasket	4



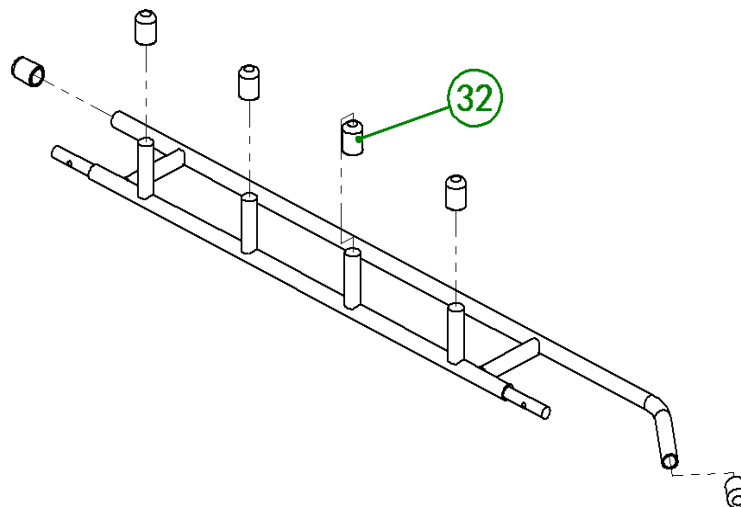
NO 2 frame left component *1pcs

Step NO	Item NO	Name	Quantity	Item NO	Name	Quantity
	31	rubber cover	21			

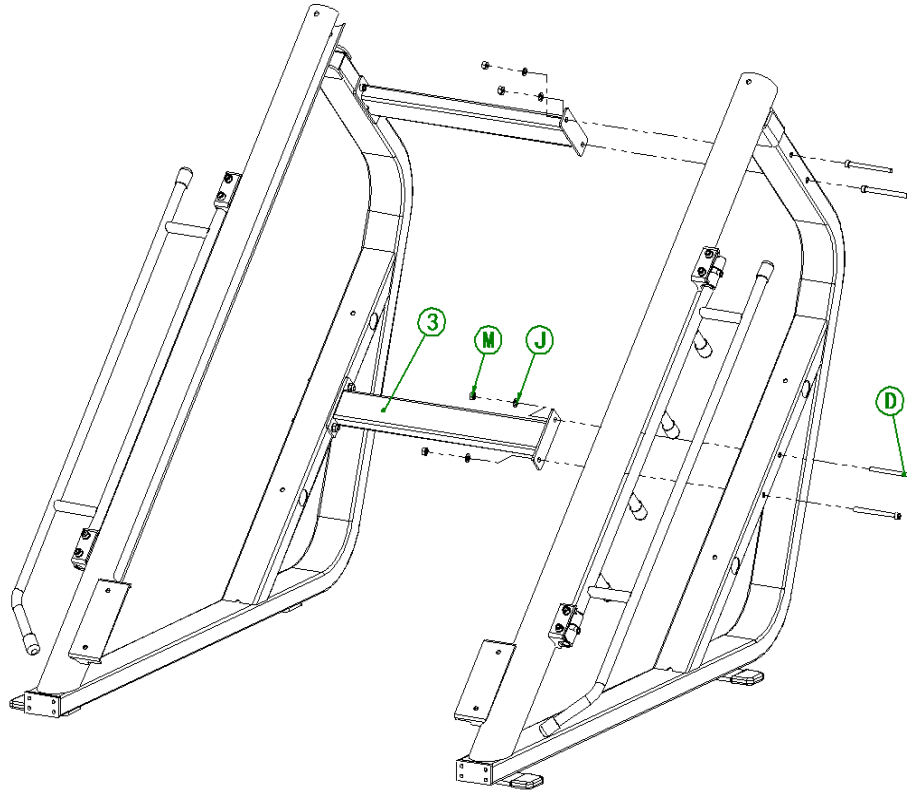


NO 11 left gear lever *1pcs

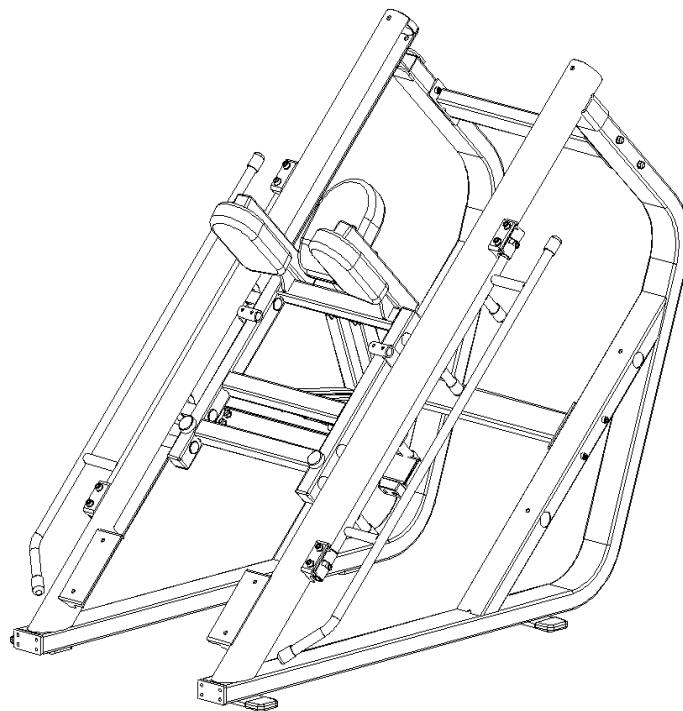
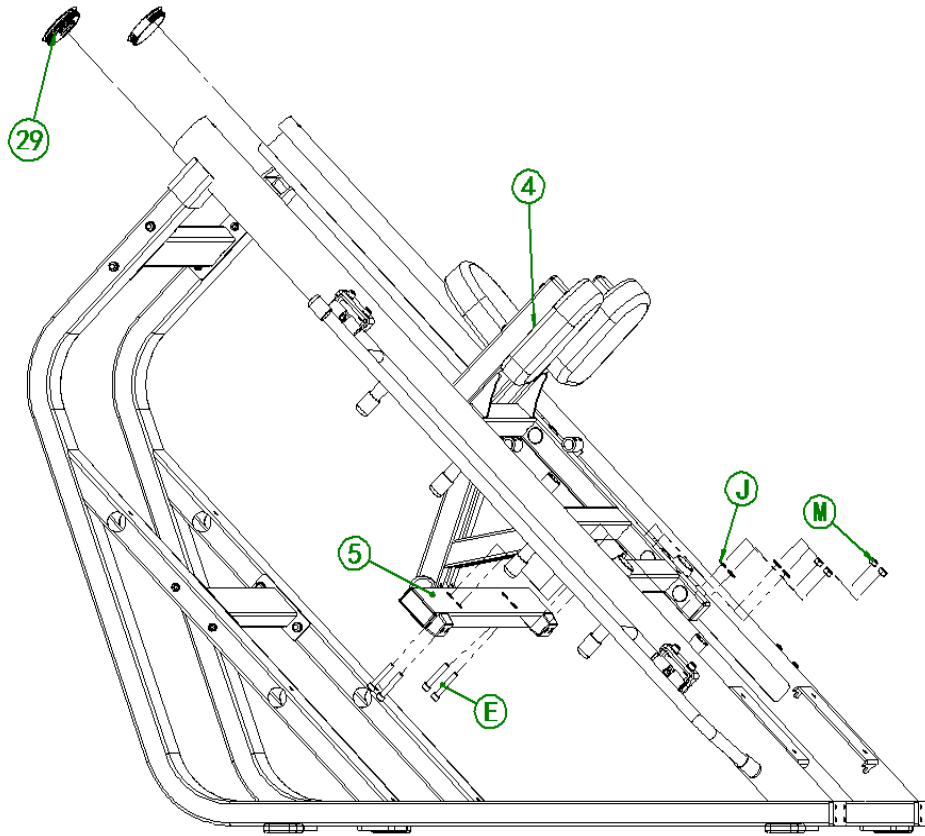
Step NO	Item NO	Name	Quantity	Item NO	Name	Quantity
	32	rubber gasket	6			



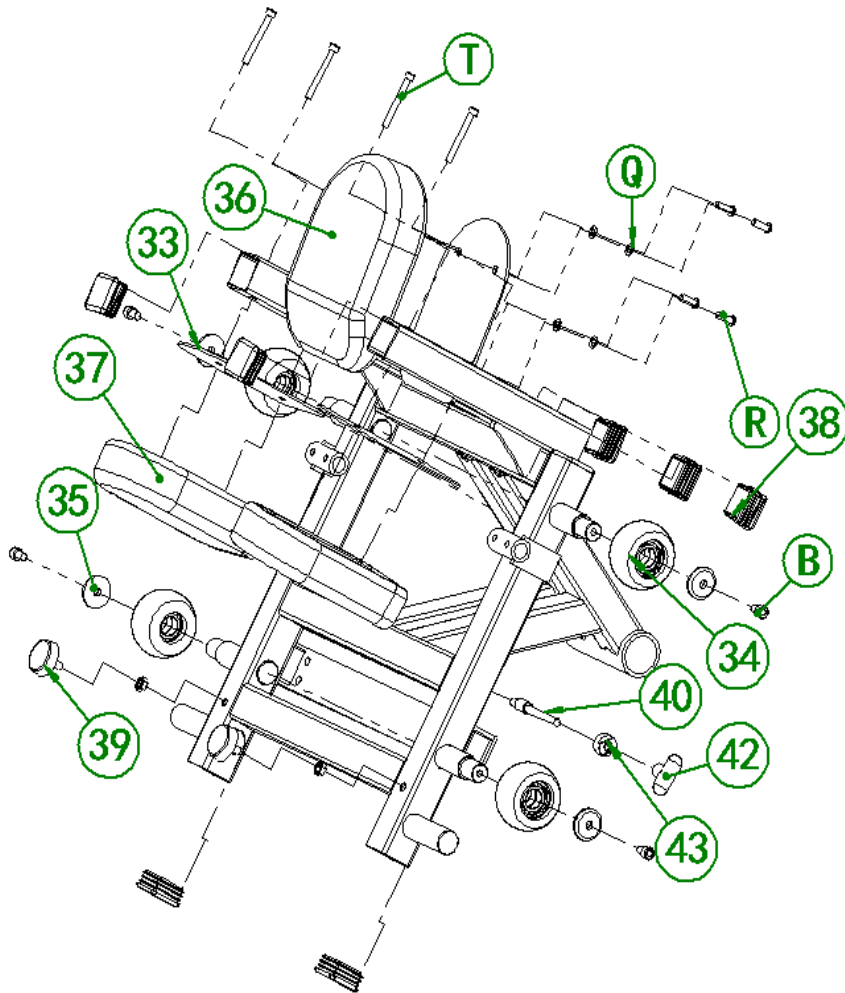
Step NO	Item NO	Name	Quantity	Item NO	Name	Quantity
	3	Crossbar connection	2	M	M10 screw	8
	D	M10*120 screw	8			
	J	Φ10 gasket	8			



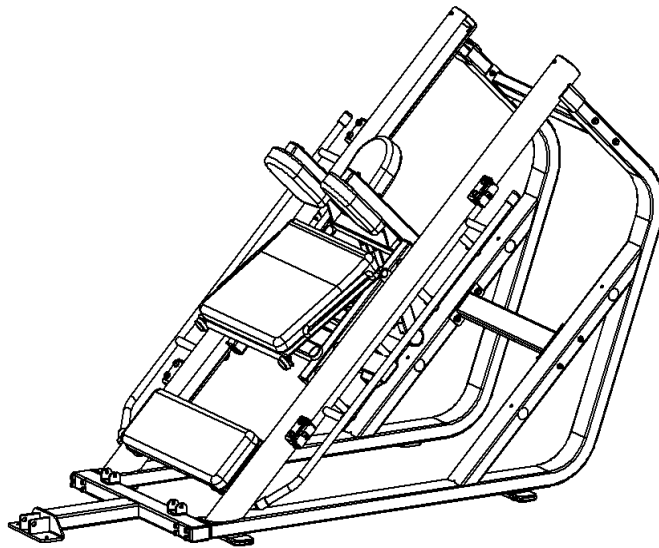
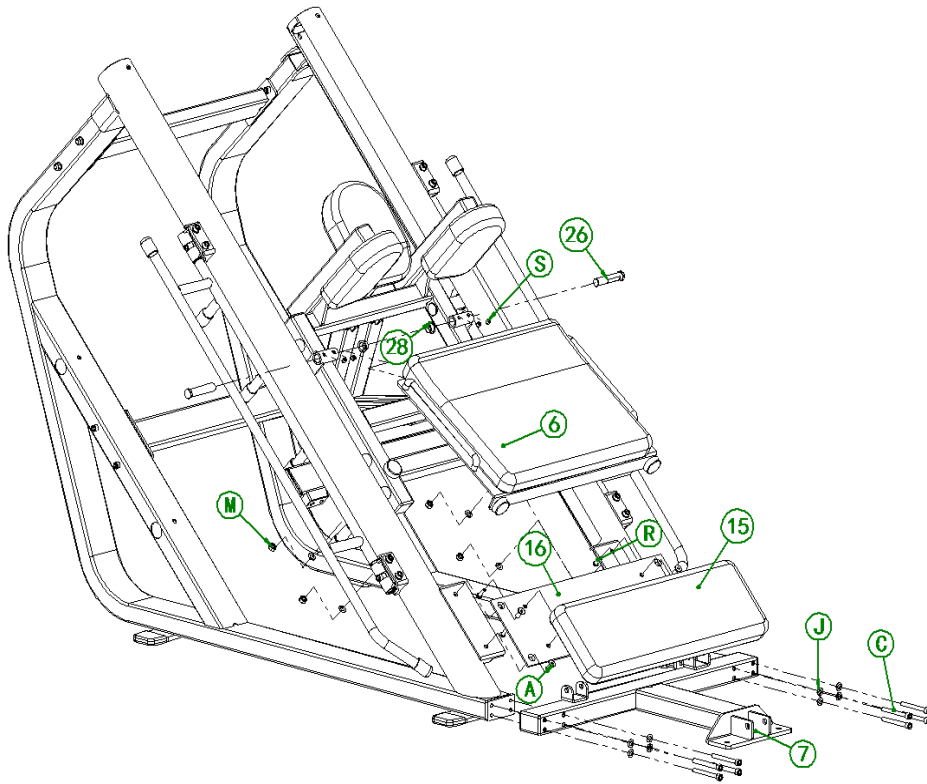
Step NO	Item NO	Name	Quantity	Item NO	Name	Quantity
	4	moving component	1	5	limit component	1
	29	pipe plug	2	E	M10*60 screw	4
	M	M10 screw	4	J	Ø10 gasket	4



Step NO	Item NO	Name	Quantity	Item NO	Name	Quantity
	33	shoulder metal	2	40	pins	1
	34	moving bearing	4	41	spring	1
	35	middle bearing	4	42	handle	1
	36	NO 42 seat	1	43	Pull pin cap	1
	37	No 43 seat	2	39	NO 38 gasket	2
	38	50*50 pipe plug	9			

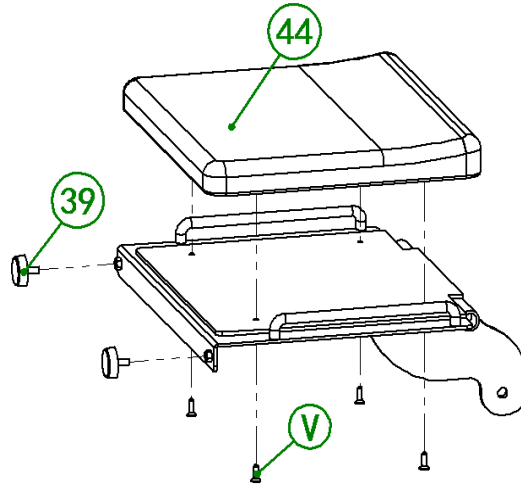


Step NO	Item NO	Name	Quantity	Item NO	Name	Quantity
	26	pins	2	S	M10*10 screw	4
	28	Copper Bushing	2	R	M8*25 screw	4
	6	Seat Adjustable	1	A	M10*25 screw	4
	15	seat	1	C	M10*90 screw	8
	7	lower seat base	1	M	M10 screw	12
				J	Φ10 gasket	12



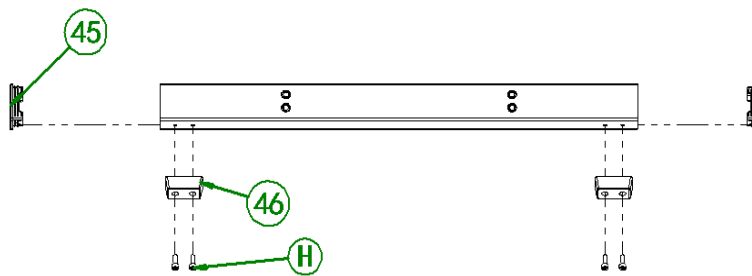
NO 6 Seat Adjustable*1pcs

Step NO	Item NO	Name	Quantity	Item NO	Name	Quantity
	39	NO 38 gasket	2			
	44	seat	1			
	V	M8*25 screw	4			

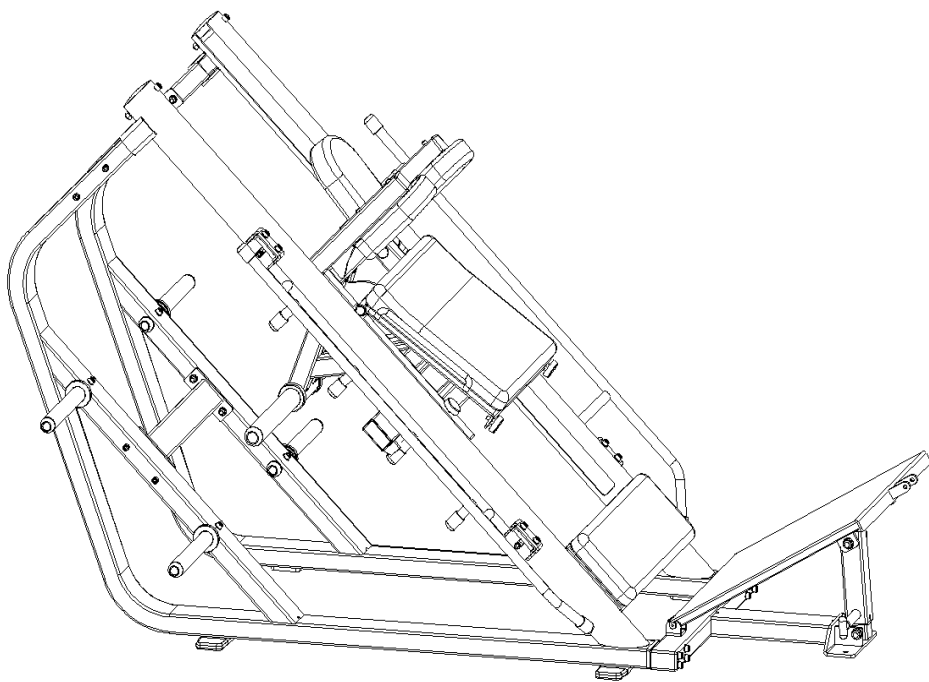
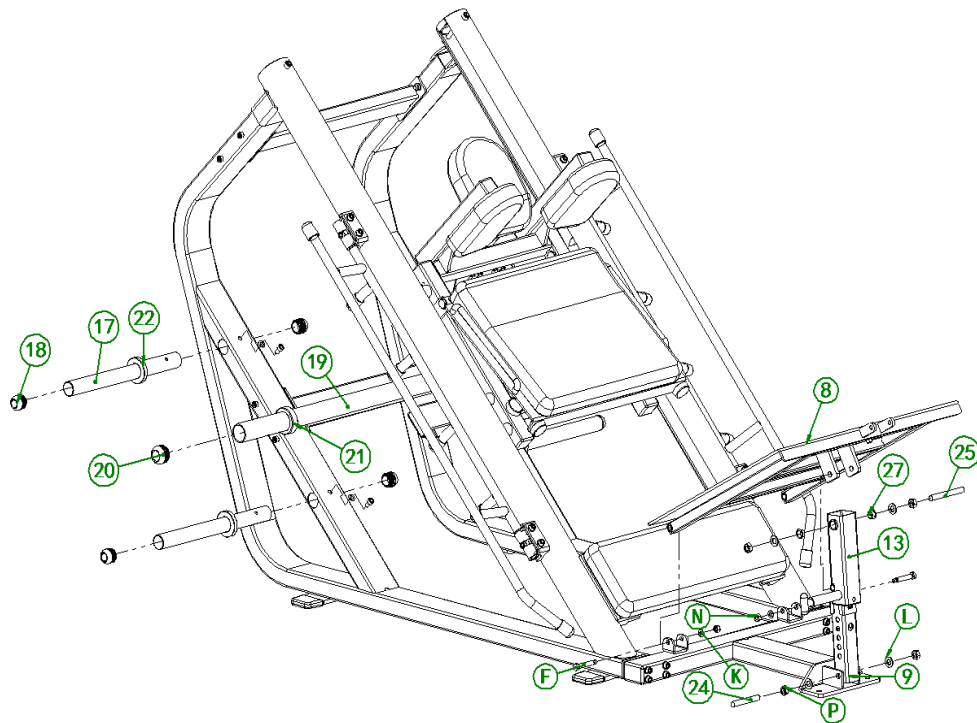


NO 5 limit component*1 pcs

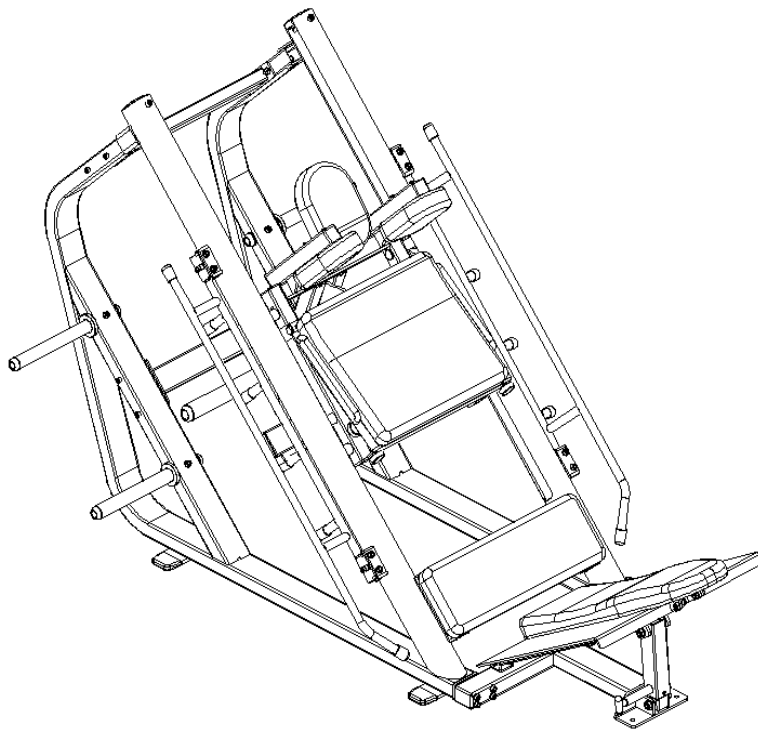
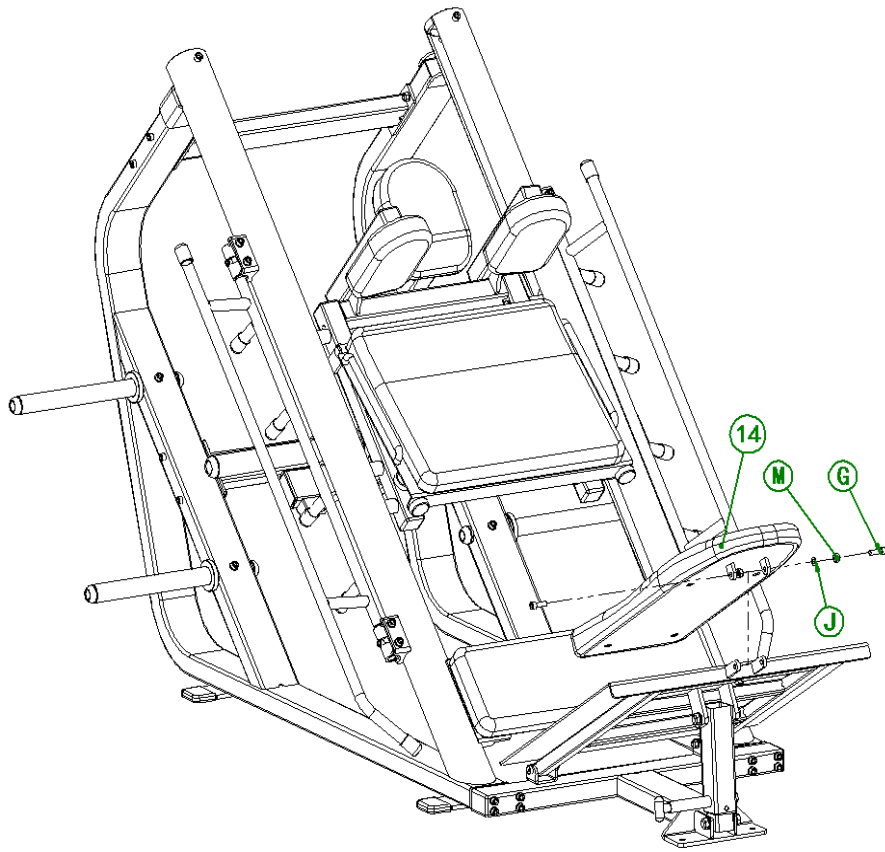
Step NO	Item NO	Name	Quantity	Item NO	Name	Quantity
	45	40*80 pipe plug	2			
	46	568 gasket	2			
	H	M8*20 screw	4			



Step NO	Item NO	Name	Quantity	Item NO	Name	Quantity
	17	plate rack	4	8	leg press component	1
	18	pipe plugs	8	9	gear component	1
	19	stack pipe	1	13	adjustable gear	1
	20	stainless plug	2	24	seat shatfA	1
	21	cover	2	25	seat shatfB	1
	22	rubber cover	4	27	Copper Bushing	2
	L	Φ14 gasket	4	F	M12*60 screw	2
	P	M14 screws	4	K	Φ12 screw	2
				N	M12 screw	2

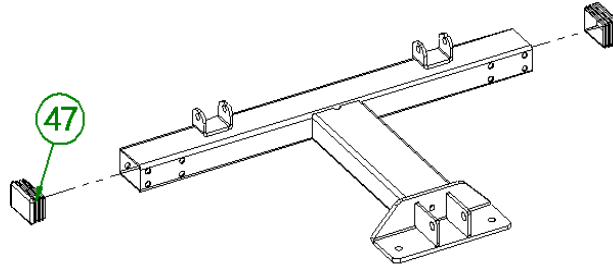


Step NO	Item NO	Name	Quantity	Item NO	Name	Quantity
	14	back seat	1	G	M10*30 screw	2
	M	M10 screw	2			
	J	Φ10 gasket	2			



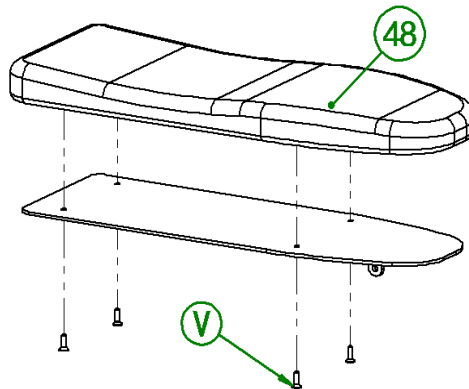
NO 7 lower seat base *1pcs

Step NO	Item NO	Name	Quantity	Item NO	Name	Quantity
	47	50X75 pipe plug	2			



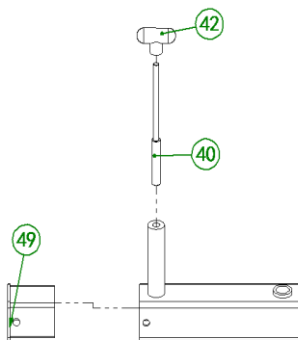
NO 14 back seat *1pcs

Step NO	Item NO	Name	Quantity	Item NO	Name	Quantity
	48	big gasket	1			
	V	M8*25 screw	4			



NO 14 back seat *1pcs

Step NO	Item NO	Name	Quantity	Item NO	Name	Quantity
	42	M10 handle		49	big cover	1
	40	pins				



NO 9 gear component*1pcs

Step NO	Item NO	Name	Quantity	Item NO	Name	Quantity
	23	firm slide	2			

