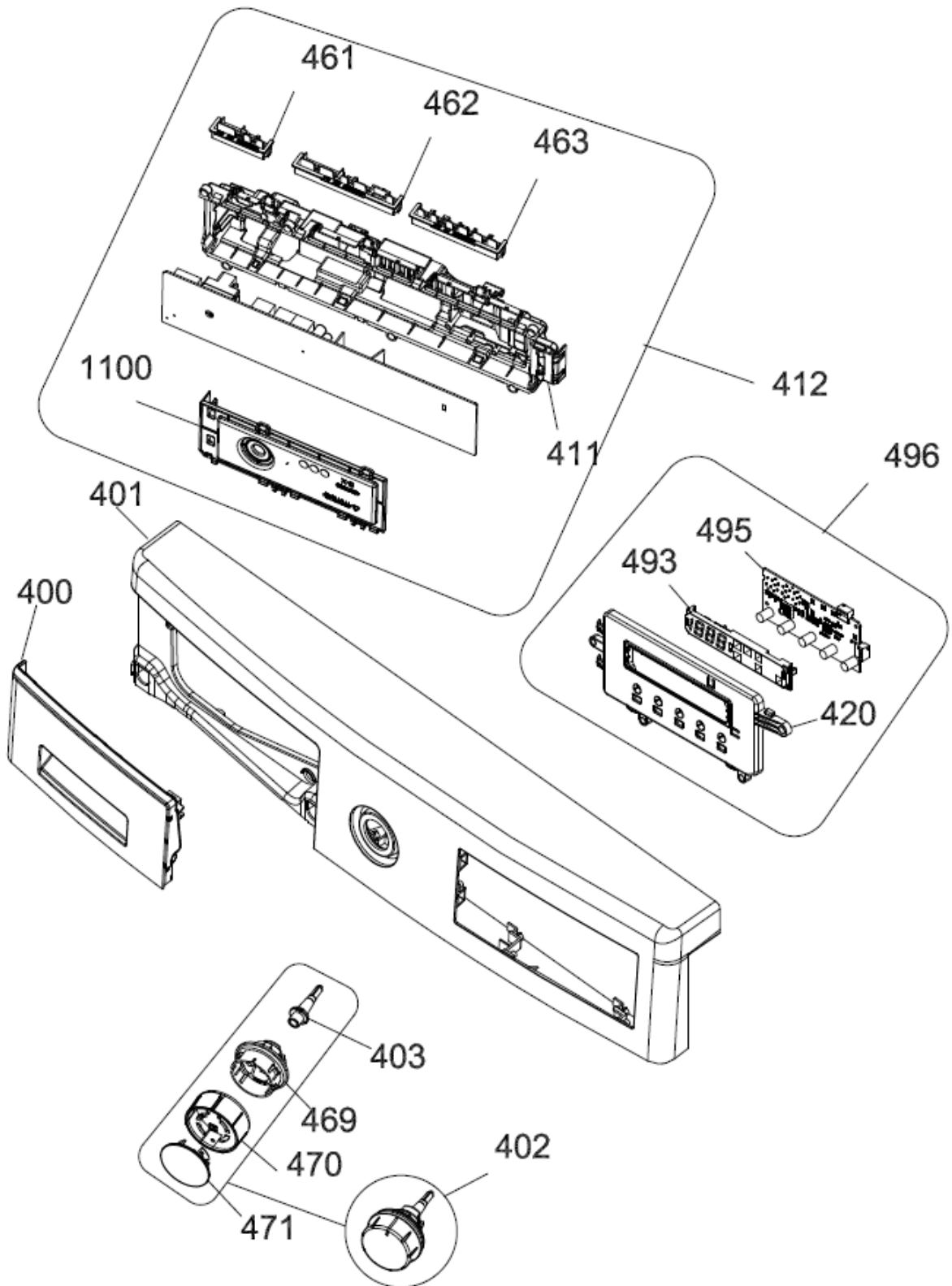


1 - CONTROL PANEL

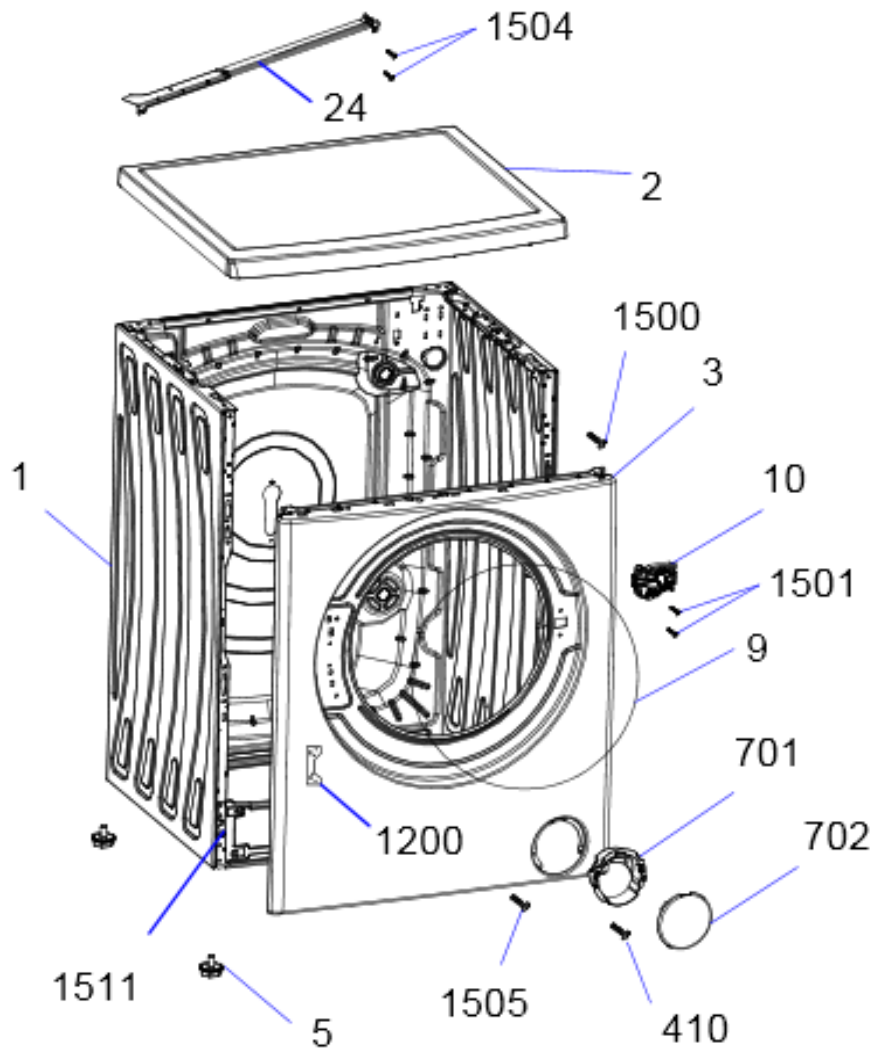


469-470-471“This spare part is optional and depends on agreed specifications. Therefore you may not find this position number in product’s spare part list.”

SEQ	PART NO	PART NAME	QUANTITY
400	V42278026	DETERGENT DRAWER COVER	1
401	V42278023	CONTROL PANEL	1
402	V42278028	PR. ADJUSTMENT KNOB GR (470+471)	1
403	V42069325	PROGRAMME ADJUSTMENT SHAFT	1
420	V42159870	CARD BOX	1
411	V42175856	PCB BOX	1
412	V22251004	ELECTRONIC CARD	1
469	V42069326	PROGRAM ADJ. INSERT	1
470	V42207888	PROGRAM ADJ. KNOB	1
471	V42185777	PROGRAM ADJ. KNOB COVER	1
493	V42159770	DISPLAY 888 COVER/PARDUS	1
496	V22198803	F4.CARD GR.	1
500	V42278022	CONTROL PANEL GROUP (indicated for the website)	1
1100	V42107880	PCB BOX REAR COVER	1

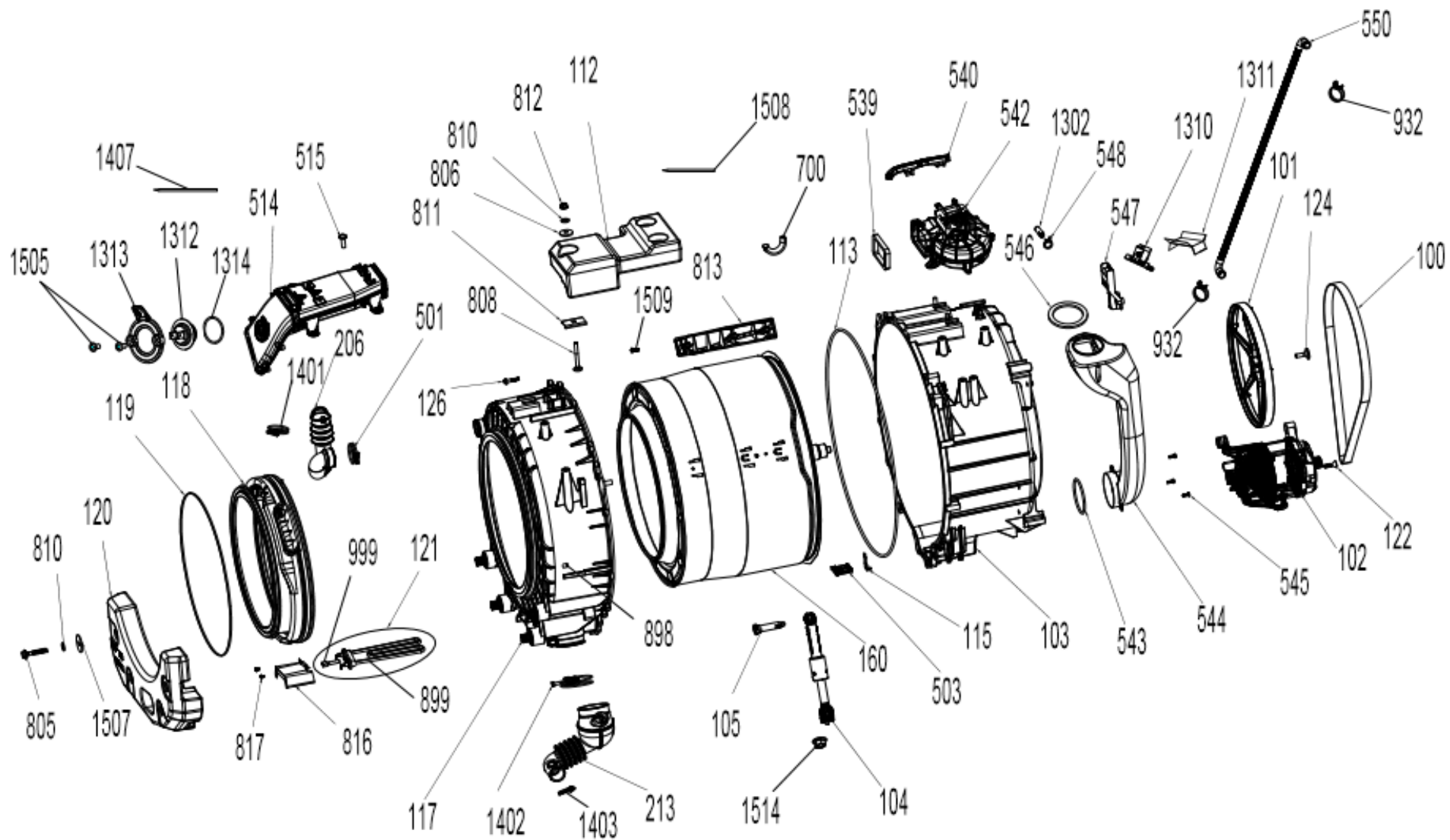
***469-470-471**“This spare part is optional and depends on agreed specifications. Therefore you may not find this position number in product’s spare part list.”

2 - FRONT PANEL



SEQ	PART NO	PART NAME	QTY
1	#N/A	BODY GROUP PAINTED	1
2	V42026020	UPPER TRAY GROUP	1
3	V20861803	FRONT PANEL GROUP	1
5	V47013982	ADJUSTABLE FEET GR.	4
9	V37023407	HOUSING FRAME BELLOW CLIP-PHYTON	1
10	V32024463	DOOR LOCK	1
20	V40014423	WATER INLET HOSE	1
701	V42122572	PUMP COVER HOUSING	1
702	V42067962	PUMP COVER	1
1200	V37019456	HINGE SUPPORT SHEET	1
1500	V37015098	ST 4,2X9,5 TRTSB	2
1501	V37014455	ISO 7049 ST 4,2X16 TORX	2
1504	V37014453	ISO 7049 ST 4,2X13 TORX	4
1505	V37014454	ST 4,8X9,5 PAN HE.WITH COL.TORX UN.SER.E	2
410	V37016360	SCREW 4X12 TORX PAN HE.W.COL.UND.HE.SER.	1

3 - WASHING DRYER GROUP

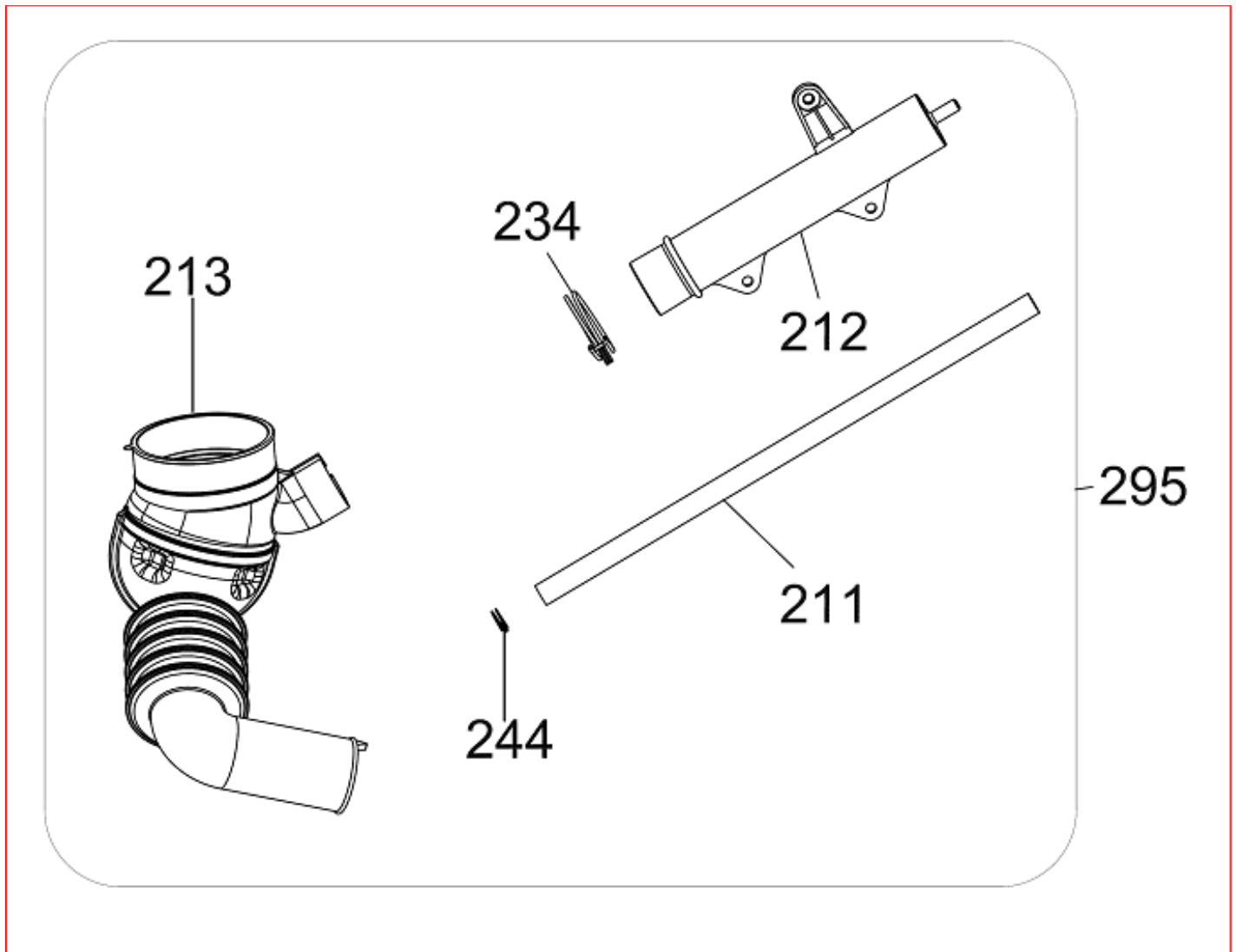


***1301.... Part no : 540+546

SEQ	PART NO	PART NAME	QUANTITY
100	V42006396	BELT	1
101	V22115425	PULLEY	1
102	V32028925	MOTOR	1
103	V22155063	REAR TUB GROUP	1
104	V47018881	SHOCK ABSORBER	2
105	V42025094	SHOCK ABSORBER PIN	2
112	V47016763	UPPER COUNTERWEIGHT	1
113	V42015077	TUB SEAL	1
115	V37015387	RESISTANCE FIXING WIRE / DRYER	1
117	V42058681	FRONT TUB	1
118	V42060771	TUB BELLOWS SEAL	1
119	V37008555	TUB BELLOWS CLIP	1
120	V47012713	FRONT COUNTERWEIGHT	1
121	V20846094	RESISTANCE GROUP	1
122	V37007899	COUNTERSUNK HEAD BOLT8X25 TORX	4
124	V22227543	COUNTERSUNK HEAD BOLT M 8X29	1
160	V22155121	DRUM GROUP	1
206	V42060773	TUB ENTERANCE WITH BELLOW HOSE	1
213	V42128034	TUB EXIT WITH BELLOW HOSE	1
501	V37016375	SPRING TYPE HOSE CLAMP ø44.4	1
503	V42058737	RESISTANCE FIXING WIRE HOUSING PLASTIC PART	1
514	V32018843	HEATER HOUSING ASSEMBLY GROUP	1
515	V37018076	SCREW 8X30 PAN HEAD WITH COLLAR TORX	6
539	V47011274	BLOWER HEATER HOUSING SEALING FOAM	1
540	V42074674	FAN HOUSING CABLE ROUTER PLASTIC PART	1
542	V32032581	FAN GROUP	1
543	V42068558	CONDENSER TUB GASKET	1
545	V37016904	SCREW 5x14 PAN HEAD TORX	6
546	V42074657	CONDENSER FAN GASKET	1
548	V37017046	SPRING TYPE HOSE CLAMP ø18.2	1
700	V42019298	TUB HANGER SPRING PART-2	2
805	V37023804	HEXAGON HEAD BOLT 10X52	4
806	V35007454	WASHER 8,5X35X3	3
808	V37003063	MUSHROOM HEAD SQUARE NECK BOLT M8X65	3
810	V37006960	CONICAL SPRING WASHER 8.4X18X2	4
811	V37016379	UPPER CONCRETE SUPPORT SHEET IRON PART	3
812	V37006921	M8 NUT	3
813	V42150295	PLASTIC LIFTER	3
816	V47007557	RESISTANCE PROTECTION FOIL-1-C	1
817	V37015637	SCREW 3,5X7PAN HEAD WITH COLAR CROSS RE.	2
899	V32016813	RESISTANCE	1
932	V37026478	CLAMP Ø15.88	2
999	V32025771	NTC	1
1302	V42060769	DRYER NOZZLE	1
1401	V37026594	SCREWED HOSE CLAMP Ø45	1
1402	V35007369	HOSE CLAMP SCREW TYPE Ø72	1
1403	V37027638	HOSE CLAMP Ø38,8	1
1407	V42076054	CABLE-TIE-4,8*400 MM	1
1507	V37008965	PLAIN WASHER 10.5X40X2.5	4

SEQ	PART NO	PART NAME	QUANTITY
1508	V40007592	CABLE TIE(YKB150)	15
1509	V37016359	SCREW 4X14 PAN HEAD TORX INOX	3
1514	V37018147	PREV.TOR.TY.HEX.NUT WITH FLAN.M6-DIN6927	2
1312	V32016464	WASHER-DRYER NTC TEMP. SEN.	2
1313	V42074675	NTC ASSEMBLY PLASTIC PART	1
1314	V42074676	NTC GASKET	1
1505	V37014454	ST 4,2X9,5 TRTSB	2

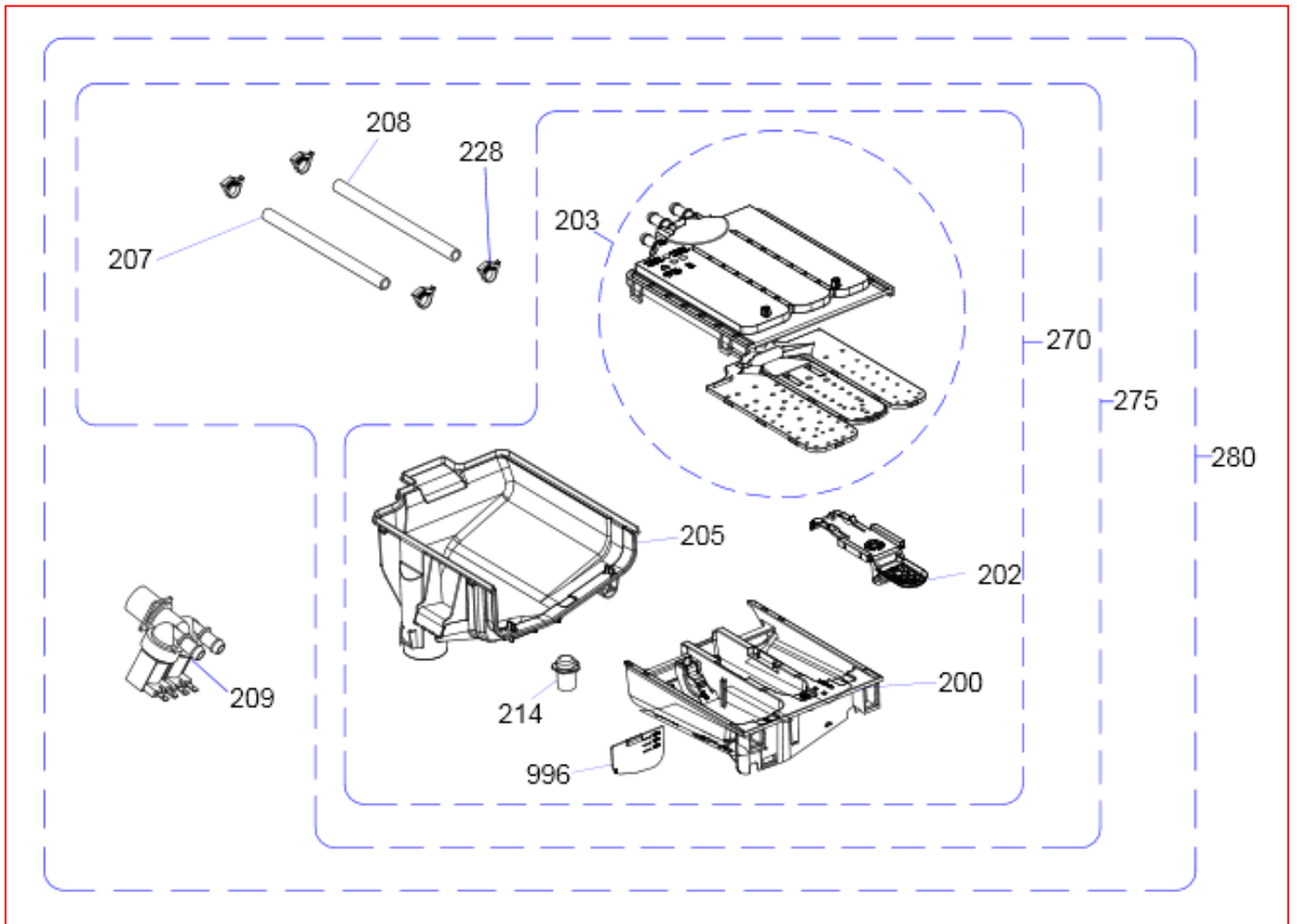
4. PRESSURE SWITCH HOSE GROUP



SEQ	PART NO	PART NAME	QUANTITY
213	V42128034	TUB EXIT WITH BELLOWS HOSE	1
212	V42060770	PRESSURE SWITCH WATER RESERVOIR	1
211	V42071583	PRESSURE SWITCH HOSE	1
234	V37027058	HOSE CLAMP Ø32,7	1
244	V35008991	HOSE CLAMP Ø9,6	1
295	V42072717	PRESSURE SWITCH HOSE GROUP	1

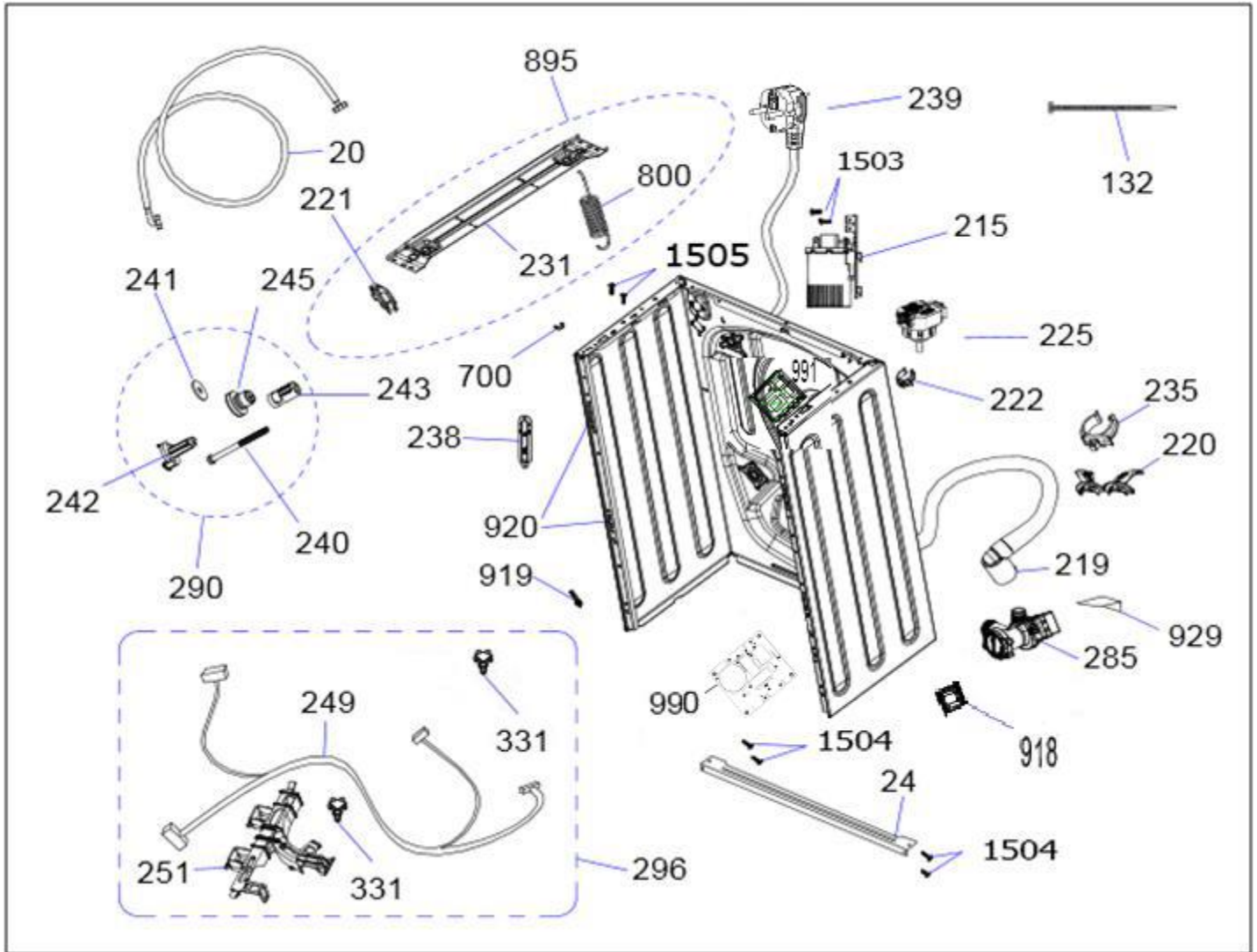
213-212-211-234-244----- PRESSURE SWITCH HOSE GROUP

4 - DETERGENT DRAWER GROUP



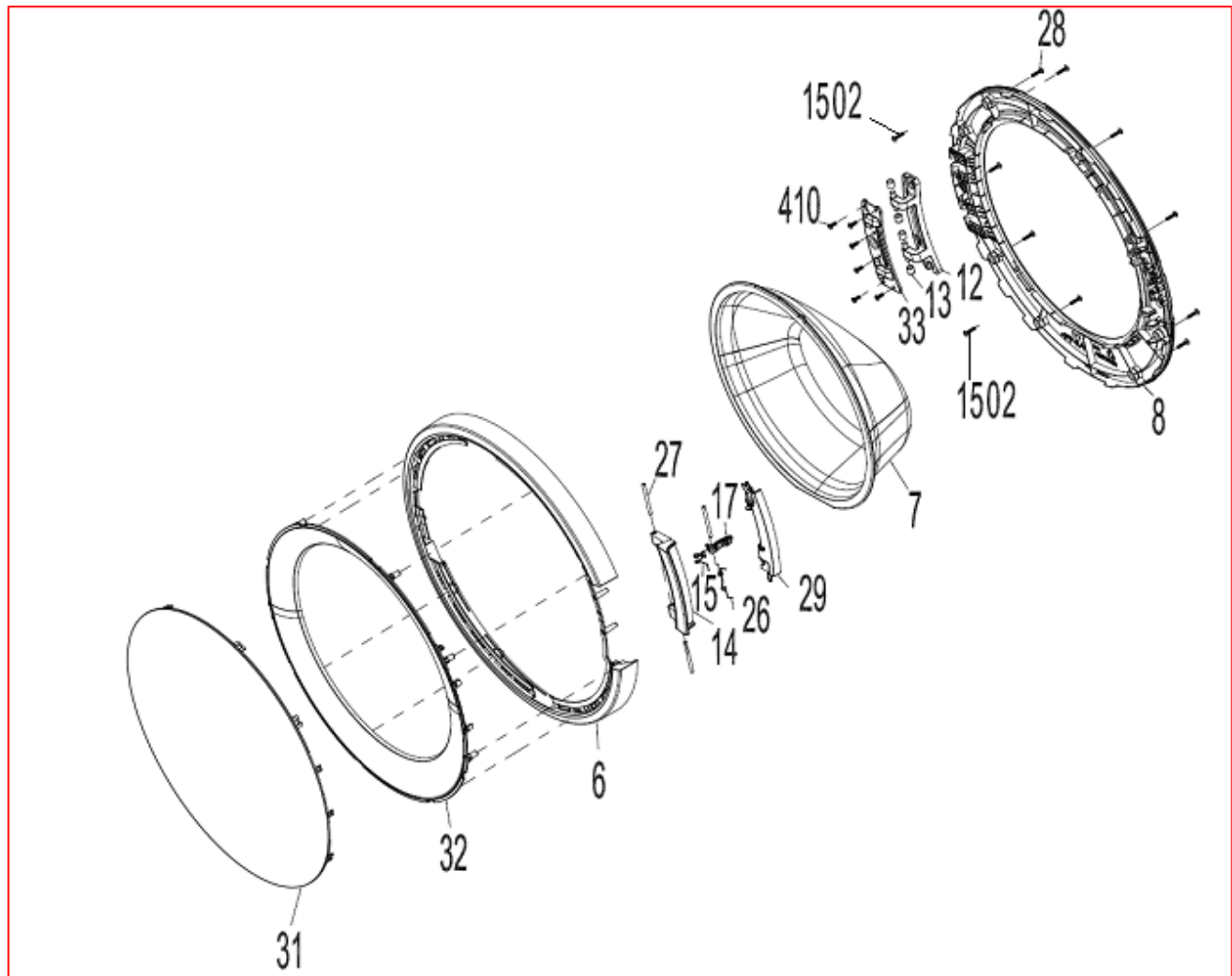
SEQ	PART NO	PART NAME	QUANTITY
200	V42065303	DETERGENT DRAWER	1
202	V42065309	SIPHON COVER	1
203	V42065323	WATER DISTRIBUTION PLATE GROUP	1
205	V42065321	DETERGENT DRAWER HOUSING	1
207	V42007797	VALVE-DETERGENT BOX HOSE - 260	1
208	V42007796	VALVE-DETERGENT BOX HOSE - 240	1
209	V32016186	VALVE(TWO EXIT)	1
214	V42065308	DETERGENT DRAWER LOCKING PART	1
228	V42225796	PLASTIC HOSE CLAMP	6
996	V42065310	LIQUID DETERGENT LEVEL PLATE	1
275	V42293514	DETERGENT BOX GROUP/HOSE	1
280	V42293513	DETERGENT BOX GROUP/FULL	1

5 - BODY GROUP



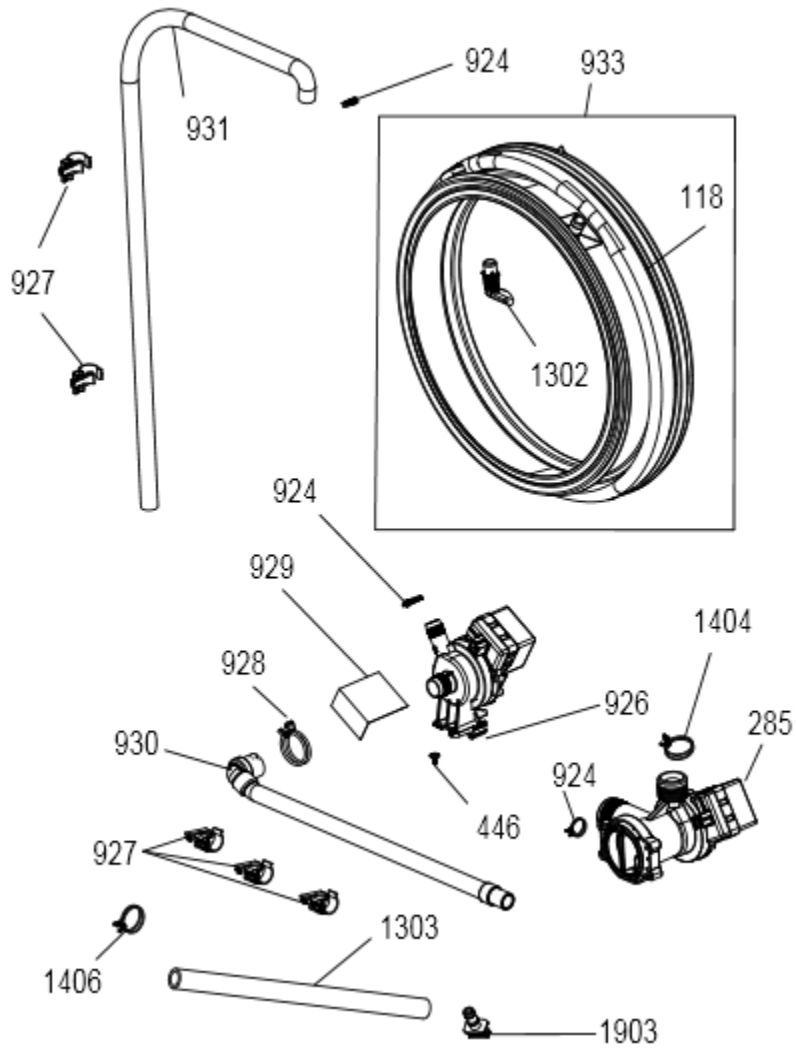
SEQ	PART NO	PART NAME	QUANTITY
285	V32035149	PUMP GROUP	1
220	V42019322	DRAIN HOSE ROUTER PLASTIC	1
219	V42074837	DRAIN HOSE	1
225	V32043416	PRESSURE SWITCH	1
215	V32027178	EMI FILTER	1
296	V32033275	CABLE GROUP	1
249	V32033276	CABLE HARNESS	1
132	V42092770	3,5 x 100 MM CABLE TIE	1
800	V37039456	HANGER SPRING	2
221	V42016727	HANGER SPRING SHEETIRON PLS.	2
231	V22182844	SPRING HANGER BRACKET	1
235	V40014270	DRAIN HOSE HOLDING PLS	2
239	V32017181	POWER CORD GROUP	1
222	V42249913	PRESSURE SWITCH MOUNTING CLIP	1
238	V42236479	SPEED CONTROL HOLE STOPPER	1
240	V37023435	TRANSPORT SCREW	4
241	V37015272	WASHER 8,6*36*2	4
242	V42018528	TRANSPORT SCREW PLASTIC A	4
243	V42018529	TRANSPORT SCREW PLASTIC B	4
245	V42060790	TRANSPORT SCREW EPDM PART-II-P	4
290	V22040824	TRANSPORT SCREW GROUP	4
800	V37039456	TUB SPRING	2
919	V37026508	HOSE CLAMP Ø8,6	1
920	V42020456	FRONT PANEL DROP FIXING PLASTIC	4
990	V20863049	DC CARD	1
991	V20883202	DRYER BOARD	1
1101	V32013553	FUSE-20A	1
1503	V37016042	ST 4,2X9,5 PAN HEAD W.COL.T.UNDER.SER.EA	2

6 - DOOR GROUP



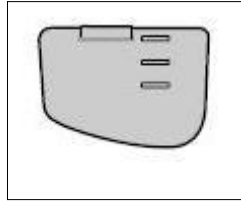
SEQ	PART NO	PART NAME	QUANTITY
6	V42082668	OUTER DOOR PLASTIC	1
7	V47007317	DOOR GLASS	1
8	V42296436	INNER DOOR PLASTIC	1
12	V37015559	HINGE	1
13	V42023907	HINGE BUSH	4
14	V42082671	DOOR HANDLE	1
15	V35007443	HOOK SPRING	1
17	V37008931	DOOR HOOK	1
26	V37014985	HANDLE SPRING	1
27	V35007434	HANDLE PIN	3
28	V35008715	SCREW 3,5X16 PAN HEAD WITH COLLAR UNDER HEAD SERRATED	9
29	V42082661	OUTER DOOR PLASTIC INSERT PART	1
31	V42070218	FRONT DOOR COVER	1
32	V42070219	OUTER DOOR PLASTIC INNER FRAME	1
33	V37050539	DOOR HINGE SUPPORT SHEET	1
410	V37016360	SCREW 4X12 PAN HEAD WITH COLLAR UNDER HEAD SERRATED	6
1502	V37035481	SCREW M5X8 TSB	2
50	V42087011	PORTHOLE GROUP (all parts)	1

7 - CIRCULATION GROUP

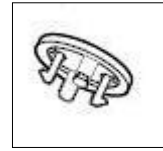


SEQ	PART NO	PART NAME	QUANTITY
118	V42060771	TUB BELLOWS SEAL	1
285	V32035149	PUMP GROUP(FILTER)(THER. PROTECT.)	1
446	V35008716	ISO 7049 ST 4,2x13 TYPE 2	1
924	V37008653	HANDCUFFS Ø20.2	3
1302	V42060769	TWIN JET NOZZLE	1
926	V32038172	CIRCULATION PUMP	1
927	V42025867	TWIN JET CABLE HOSE HOLDER PLASTIC	5
928	V37009587	HANDCUFFS Ø26.8	1
929	V47016651	PUMP PROTECTION FOIL-3	1
930	V42025194	TWIN JET HOSE_N NO:1	1
931	V42128000	TWIN JET HOSE_H NO:2	1
933	V42072706	PYTHON-CIRCULATION TUB GASKET GR	1
1404	V37006977	HOSE CLAMP Å~35,0	1
1303	V42012714	URGENT EXIT HOSE-LONG	1
1406	V37005162	HOSE CLAMP Ø14	1
1903	V40019802	STOPPER OF URGENT EXIT HOSE	1

ACCESSORIES



996



998

**** 997 - "This spare part is optional and depends on agreed specifications. Therefore you may not find this position number in product's spare part list."**

SEQ	PART NO	PART NAME	QUANTITY
996	V42065310	LIQUID DETERGENT LEVEL PLATE	1
998	V42161854	TRANSPORT SCREW STOPPER	4