

Description

ROBINHOOD WALL CANOPY RANGEHOOD 60CM WHITE
WCAN60W



Key Features

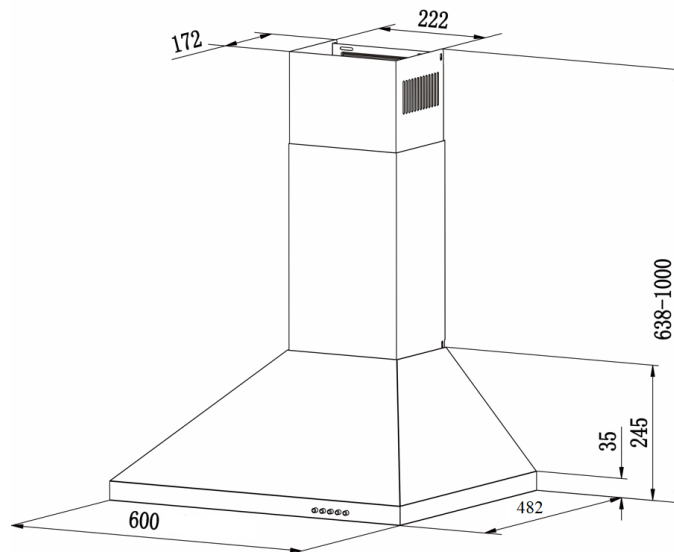
Max Motor Performance
 750 m³/hr

Power Levels
 3

Control Type
 Push Buttons

Lighting
 2 x 2W LED

Venting Type
 Ducted or recirculated



Dated: 29/03/2022

Specifications

Voltage	220~240v
Frequency	50~60Hz
Motor / Power)	750m ³ /h / 210W
Motor Housing & Blower	Plastic motor housing with plastic blower
Lighting	2x2W LED
Total Power	214W
Controls	Push buttons
Speed Levels	3
Filters	2 x Aluminum filters
Carbon Filters	Optional (RHCF120)
No Return Valve	Included
Ducting Outlet	Ø150mm
Power Cord Length	1.5M
Chimney (Upper + Lower)	400+400mm
Product Dimensions (WxDxH)	600 x 482 x (638-1000)mm
Packaging Dimensions (WxDxH)	650 x 315 x 540mm
Gross/ Net Weight	8.5/7.3Kg

Air Flow & Noise Level*		
Power Level	Air Flow (m ³ /hr) (IEC 61591)	Noise Level (dB) (IEC 60704-2-13)
1	425	62
2	520	65
3	625	69

*Air Flow & Noise Level testing is conducted in a controlled lab environment as per the IEC standards.