

Description: **VIVA BY ROBINHOOD CHEST FREEZERS**

Model Numbers: **VCF142; VCF295; VCF362**



*Model Pictured: VCF142 & VCF295*



*Model Pictured: VCF362*

*Actual unit may vary from pictures shown as above*

# Contents

## Congratulations!

Thank you for choosing one of our appliances. Before you use the appliance, we strongly recommend that you read through the whole user manual which provides important safety instructions and description of the product and the proper use of its functions.

To avoid the ever-present risks involved with using an electrical appliance it is vital that the oven is installed correctly and that you read the safety instructions carefully to avoid misuse and hazards. It is important that you retain these instructions and your proof of purchase along with any other important documents about this product for future reference.

Due to continual product development, Robinhood reserves the right to alter specifications or appearances without notice.

Important Safety Instructions.....	1
Appliance Details .....	3
Operating Instructions.....	4
Maintenance and Cleaning.....	6
Troubleshooting .....	7
Warranty Certificate (New Zealand).....	8

## Disposal Information

- Most of the packing materials are recyclable. Please dispose of these materials through your local recycling depot or by placing them in appropriate collection containers.
- If you wish to discard this product, please contact your local authorities and ask for the correct method of disposal.

## Important Safety Instructions

1. This appliance is not to be use by persons (including children) with reduced physical, sensory or mental capabilities, or lack of experience or knowledge, unless they have been given supervision or instruction concerning the use of the appliance by a person responsible for their safety. Children should be supervised to ensure that they do not play with the appliance.
2. The appliance must be disconnected from the source of electrical supply before attempting the installation of accessory.
3. **WARNING:** Keep ventilation openings, in the appliance enclosure or in the built-in structure, clear of obstruction.
4. **WARNING:** Do not use mechanical devices or other means to accelerate the defrosting process, other than those recommended by the manufacturer.
5. **WARNING:** Do not damage the refrigerant circuit.
6. **WARNING:** Do not use electrical appliances inside the food storage compartments of the appliance.
7. When disposing of this appliance, please do so according to local regulations as it contains flammable gas and refrigerant.
8. Do not store explosive substances such as aerosol cans with flammable propellant in this appliance. Do not modify this appliance.
9. This appliance is intended to be used in household and similar applications such as:
  - Staff kitchen areas in shops, offices and other working environment.
  - Farm house.
  - By clients in hotels, motels and other residential type environments.
  - Bed and breakfast type environments.
  - Areas for communal use in blocks of flats or in laundrettes.
10. **WARNING:** When positioning the appliance, ensure the supply cord is not trapped or damage.
11. **WARNING:** Power plug must be accessible after installation.
12. **WARNING:** Do not locate multiple portable socket-outlets or portable power supplies at the rear of the appliance.
13. If the supply cord is damaged, it must be replaced by the manufacturer, its Authorised Service Centre or a similarly qualified person in order to avoid a hazard.
14. Follow the installation requirements in this manual. Avoid prolonged exposure to direct sunlight.
15. Do not locate multiple portable socket-outlets or portable power supplies at the rear of the appliance.
16. Do not place hot items on plastic areas of appliance. Do not refreeze food once defrosted. Store pre-packed frozen food in accordance to the manufactures instructions. Take care when freezing liquids as sealed containers can explode under pressure.
17. The refrigerant isobutene (R600a) or Propane (R290) contained within the refrigerant circuit of the appliance is a natural gas with a high level of environmental compatibility, which is nevertheless flammable.
18. During transportation, installation and servicing of the appliance ensure that none of the components of the refrigerant circuit are damaged.
19. Avoid open flames and sources of ignition.
20. Do not place heavy objects on the top of the freezer.



**WARNING:** Risk of fire / flammable materials

# Important Safety Instructions

## Warnings for Disposal

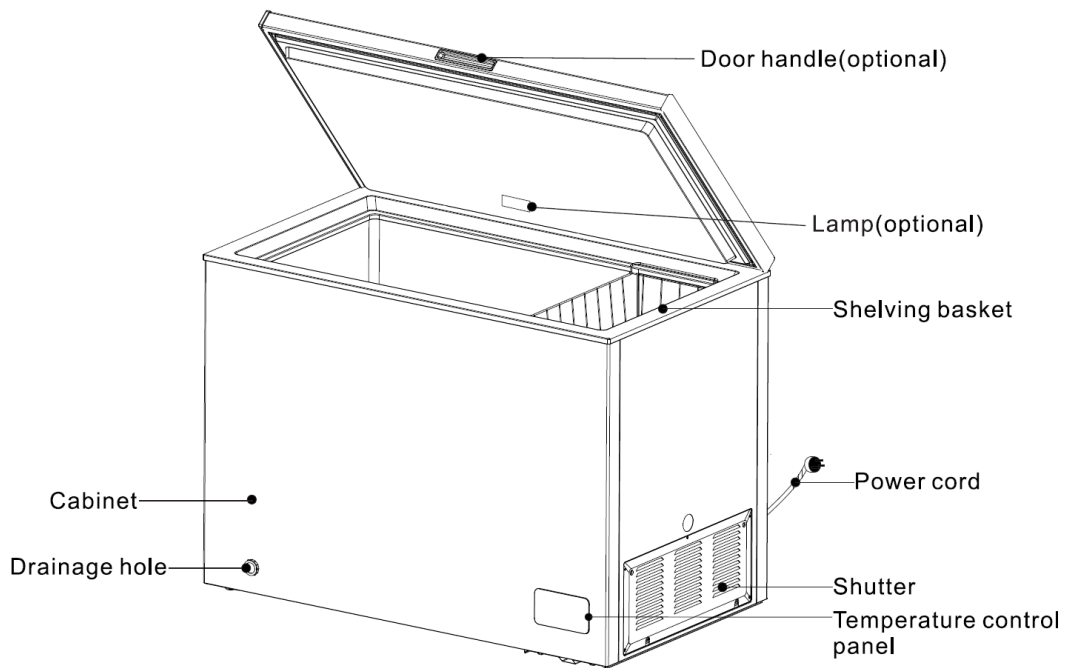
- Refrigerant and cyclopentane foaming material used for the refrigerator are flammable. Therefore when the refrigerator is scraped, it shall be kept away from any fire source and be recovered by a special recovering company with corresponding qualification other than be disposed by combustion, so as to prevent damage to the environment or any other harm.
- When the refrigerator is scraped, disassemble the doors, and remove gasket of door and shelves, put the doors and shelves in a proper place, so as to prevent trapping hazard.



## Correct Disposal of this product

This marking indicates that this product should not be disposed with other household wastes. To prevent possible harm to the environment or human health from uncontrolled waste disposal, recycle it responsibly to promote the sustainable reuse of material resources. To return your used device, please use the return and collection systems or contact the retailer where the product was purchased. They can take this product for environmental safe recycling.

## Appliance Details



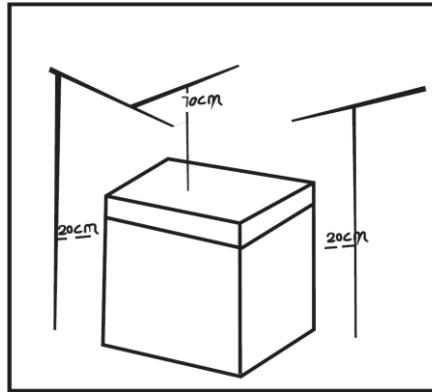
*The above is only for reference. The actual configuration will depend on the physical product.*

Voltage Rating:	220-240V ~50Hz
Current:	VCF142: 0.6A VCF295: 1.1A VCF362: 1.13A
Refrigerant:	VCF142: R600a (52g) VCF295: R600a (62g) VCF362: R290 (80g)
Insulation Blowing Agent:	Cyclopentane
Climate Classification:	SN/N/ST/T

# Operating Instructions

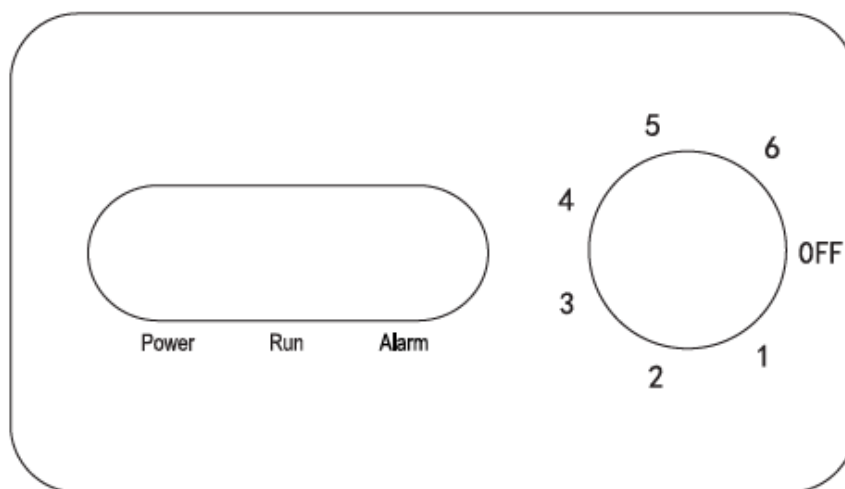
## Placement

- Before using the freezer, remove all packaging materials including bottom cushions and foam pads and tapes inside the freezer. Tear off the protective film on the door and the freezer body.
- The freezer should be placed in a well-ventilated indoor area; the ground should be flat and sturdy.
- Keep out of direct heat and sunlight. Do not place the freezer in moist or watery places to prevent rust or reduction of the insulation effectiveness.
- There must be at least 70cm of free space above the freezer and at least 20cm of free space on the sides and back of the freezer.



- Do not connect the freezer to the power supply until 30 minutes after you have placed it in position.
- Run the freezer for 2-3 hours before loading foodstuffs into it – run the freezer for 4 hours prior to loading with foodstuffs if there is a high ambient temperature.

## Temperature Control (for model VCF142 and VCF295)



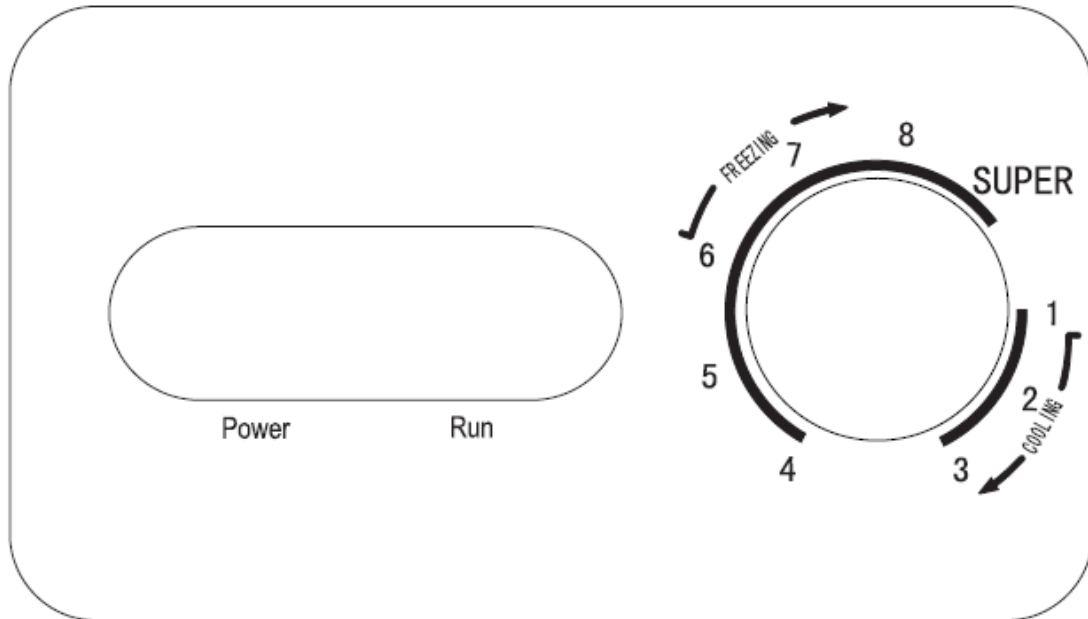
- When you connect the freezer to the power supply, the "Power" indicator will light up.
- The "Run" indicator will light up when the compressor is running.
- The "Alarm" indicator will light up when the interior temperature of the freezer is too high.

The temperature of the freezer is adjusted via the thermostat knob. The numbers "1, 2, 3, 4, 5, 6" do not refer to specific temperatures; the higher the setting, the cooler the freezer interior will be and vice versa. The user can choose the right temperature according to their needs.

Choosing the "Off" setting will cause the freezer to turn off.

# Operating Instructions

## Temperature Control (for model VC362)



- When you connect the freezer to the power supply, the "Power" indicator (the green light) will light up.
- The "Run" indicator (the red light) will light up when the compressor is running.

The temperature of the freezer is adjusted via the thermostat knob. The numbers "1, 2, 3, 4, 5, 6, 7, 8" do not refer to specific temperatures; the higher the setting, the cooler the freezer interior will be and vice versa. The user can choose the right temperature according to their needs.

When turn to "SUPER" setting, the freezer enters into fast freeze mode, and the compressor will not stop until you turn the knob to the other setting.

## Energy Saving Tips

- The freezer should be located in the coolest area of the room, away from heat producing appliances of heating ducts, and out of the direct sunlight.
- Let hot foods cool to room temperature before placing in the freezer. Overloading the freezer forces the compressor to run for longer. Foods that freeze too slowly may lose quality or spoil.
- Be sure to wrap foods properly and wipe containers dry before placing them in the freezer. This cuts down on frost build-up inside the freezer.
- The freezer storage bin should not be lined with aluminium foil, wax paper or paper toweling. Liners interfere with cold air circulation, making the freezer less efficient.
- Organise and label food to reduce door openings and extended searches. Remove as many items as needed at one time, and close the door as soon as possible.

# Maintenance and Cleaning

## Cleaning

**Note:** The freezer should be emptied and turned off before cleaning.

- Dust behind and underneath the freezer should be periodically cleaned to improve the cooling efficiency of the freezer. The interior of the freezer should be cleaned regularly to avoid odours. Soft towels or a sponge dipped in water and non-corrosive neutral detergents are suggested for cleaning. Dry the interior with a soft, dry cloth and leave the door open for natural drying before the power is turned on.
- Do not use hard brushes, clean steel balls, wire brushes, abrasives such as toothpastes, organic solvents (such as alcohol, acetone, banana oil, etc.), boiling water, acid or alkaline products to clean the freezer with as this may damage the surfaces of the freezer.
- Do not rinse with water as this can damage the electrical components. Please use a dry cloth when cleaning the temperature control knob.

## Defrost

The freezer must be manually defrosted.

1. Unplug the freezer and open the freezer door.
2. Remove all foodstuffs and shelving baskets before defrosting.
3. Open the outflow hole and drainage hole (and place water container at the outflow hole).
4. The interior frost will melt naturally. Wipe the defrosted water with a dry, soft cloth. When the frost softens, an ice scraper might be used to accelerate the de-icing process.

**Warning:** Other mechanical device or other means shall not be used to accelerate the defrosting process. Do not damage the refrigerant circuit.

## Stop Using

- Foods can be preserved for a couple of hours even in summer in case of a power failure; it is recommended to reduce the frequency of opening the door and do not put fresh foods into the freezer.
- If the freezer is to be left inactive for a long time, please unplug it and leave the door open to avoid a bad odour.
- Do not turn upside down or shake the freezer; the carrying angle cannot be greater than 45°.

Continuous operation is recommended when the freezer is started. Please do not stop the freezer under normal circumstances so as not to affect the freezer's service life.



## Troubleshooting

The following simple issues can be handled by the user. Please call the after-sale service department if the issues are not settled.

Inoperative	<p>Check that the freezer is connected to the power supply.            Input voltage may be too low.            Check that the thermostat knob is not in the 'Off' position.            Check that there is isn't a power failure or that the circuit breaker hasn't been tripped.</p>
Odour	<p>Odorous foods should be wrapped.            Rotten foods should be removed.            The interior may need to be cleaned.</p>
Long-term operation of compressor	<p>It is normal for the compressor to operate for longer periods during the summer when the ambient temperature is higher.            Do not put too many foodstuffs into the freezer at one time.            Do not put foods into the freezer until they are cooled.            Frequently opening the door will cause the compressor to run for longer.            Check if the freezer needs to be defrosted.</p>
Interior light does not work	<p>Check that the freezer is connected to the power supply.            Check whether the interior bulb is damaged or in need of replacing.</p>
The freezer door cannot be properly closed	<p>Check whether the freezer door is being blocked by food packages.</p>
Loud noises	<p>Check whether food is placed levelly.            Check whether the freezer is balanced.</p>
Difficulty opening door	<p>After refrigeration, there will be a pressure difference between the interior of the freezer and exterior. This can result in causing difficulty to open the door.</p>
Freezer enclosure heat Condensation	<p>The freezer enclosure may emit heat during operating, especially in summer. This is caused the radiation of the condenser and is a normal phenomenon.            Condensation occurs when there is a high ambient humidity. The condensation can be wiped away with a towel.</p>
Airflow sound Buzz Clatter	<p>Refrigerants circulating in the refrigerant lines will produce sound which is normal and does not affect the cooling effect.            The compressor will generate a buzzing sound, especially when starting up or shutting down.            The solenoid valve or electric switch valve will clatter which is a normal phenomenon and does not affect operation.</p>

# Warranty Certificate (New Zealand)

## Terms and Conditions

The following conditions apply in respect of the warranty given in this certificate:

1. Monaco Corporation Limited ("Monaco") warrants the following Robinhood products against manufacturing defects and faulty materials, under normal use and subject to the exclusions in this certificate, for a period of:
  - Rangehood, Ovens, Cooktops, Dishwashers, Refrigeration - 24 months from date of original purchase for domestic use.
  - Uniduct - 12 months from date of original purchase for domestic use.
  - Ironing centre - 12 months from date of original purchase for domestic use.
  - Sinks sets- 5 years on stainless steel sink including draining bench from date of original purchase for domestic use, 6 months on all stainless steel accessories, including wire rack, colander and tray from date of original purchase for domestic use.
  - Laundry Tub - 5 years on stainless bowl, 24 months on Tap, Cabinet and other components from the date of original purchase for domestic use.

"Original purchase", when used in this certificate, means purchase by the customer directly from Monaco or one of its approved suppliers.

2. This warranty is limited to the repair or replacement, at our option, within the warranty period of any component part which we at our discretion determine to contain faulty materials or a manufacturing defect in breach of this warranty. This warranty is subject to terms and conditions set out in this certificate.
3. The warranty only applies within New Zealand.
4. The customer must produce the original invoice or other purchase documentation as proof of the original purchase date.

## Warranty exclusions

1. The warranty does not apply where, in Monaco's opinion:
  - The defect is caused by misuse, wear and tear, dirt, fire or accidental damage. The product has been repaired or serviced by an unauthorised person.
  - The product was not installed in accordance with our instructions.
  - The product was purchased overseas or was not designed for use in New Zealand. The product was not used, cleaned or cared for in accordance with our instructions.
  - The product was used outdoors.
2. In addition, this warranty does not extend to damage or defects which in our opinion, directly or indirectly arise from or are due to:
  - Exposing the product to acidic or corrosive materials or chemicals such as dyes, solvents, denture cleaner or acetone; Using inappropriate household cleaning products such as abrasive cream or powder cleansers, furniture polish, bleach, mentholated spirits, drain cleaners, sugar soap, metal pads and strongly alkaline or acidic cleaners;
  - Heat damage, including from washing the product at high temperatures;
  - Impact or mishandling the product, including the impact caused by objects scraped along, thrown or dropped on the product surface or excessive weight being placed on the product;
  - Structural or support changes in or affecting the building or the application where the product has been installed;
  - Failure to clean or maintain the product as recommended; or any other causes specified in the product information as being excluded from this warranty.
3. Variations with the colour or gloss within the product or any ageing or fading of colour, shine or gloss level over time are not covered by this warranty. The warranty does not cover visual imperfections or blemishes in the surface and edges of the product that were not brought to your supplier's attention at the time you inspected the product.
4. Costs incurred on installation or removal of a product, or any reinstallation of a product, or any associated costs, are not covered by this warranty.
5. Monaco will not be liable for consequential or indirect loss or damage whatsoever and however arising out of or in connection with the supply, performance or removal of the product, including (but not limited to) loss of profit, loss of revenue, loss of contract, loss of goodwill or increased cost of workings, even if due to the negligence of Monaco or any of its approved suppliers, employees or agents.
6. Charcoal filters and light bulbs are not covered by this warranty
7. This warranty and the statements contained in this certificate or other documents given to you do not exclude, restrict or modify the application of any term implied into this warranty by statute, provided that (to the extent any statutory provision permits Monaco to limit its liability for a breach of an implied condition or warranty) Monaco's liability for such breach is limited to the payment of the cost of replacing the product, repairing the product or acquiring an equivalent product.
8. Subject to clause 5, our obligations under this warranty are limited to those set out in this certificate, and this warranty is expressly instead of all other warranties, express or implied, including any implied warranty of merchantability or fitness for a particular purpose and notwithstanding any course of dealing between the parties or custom and usage in trade to the contrary.

Terms and conditions are subject to change.

### New Zealand

Monaco Corporation Ltd  
Telephone: (09) 415 6000  
Facsimile: (09) 415 7400  
Email: [customercare@robinhood.co.nz](mailto:customercare@robinhood.co.nz)  
[www.robinhood.co.nz](http://www.robinhood.co.nz)

IM Ref: VCF IM Draft v1 13/02/2020