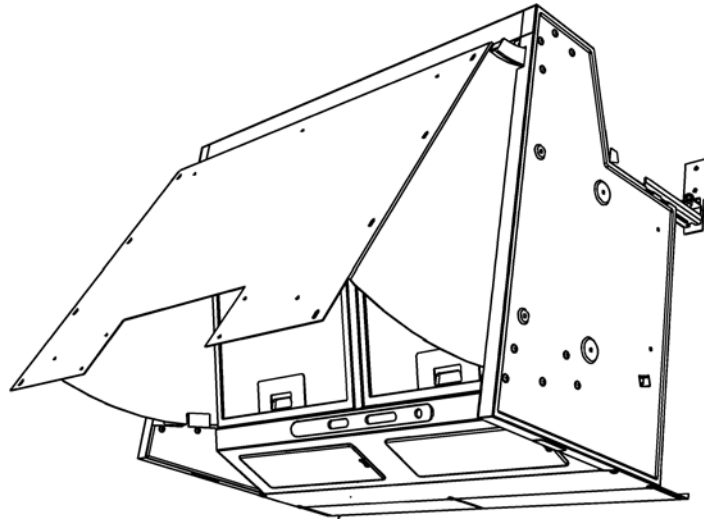


TH2/3-Series

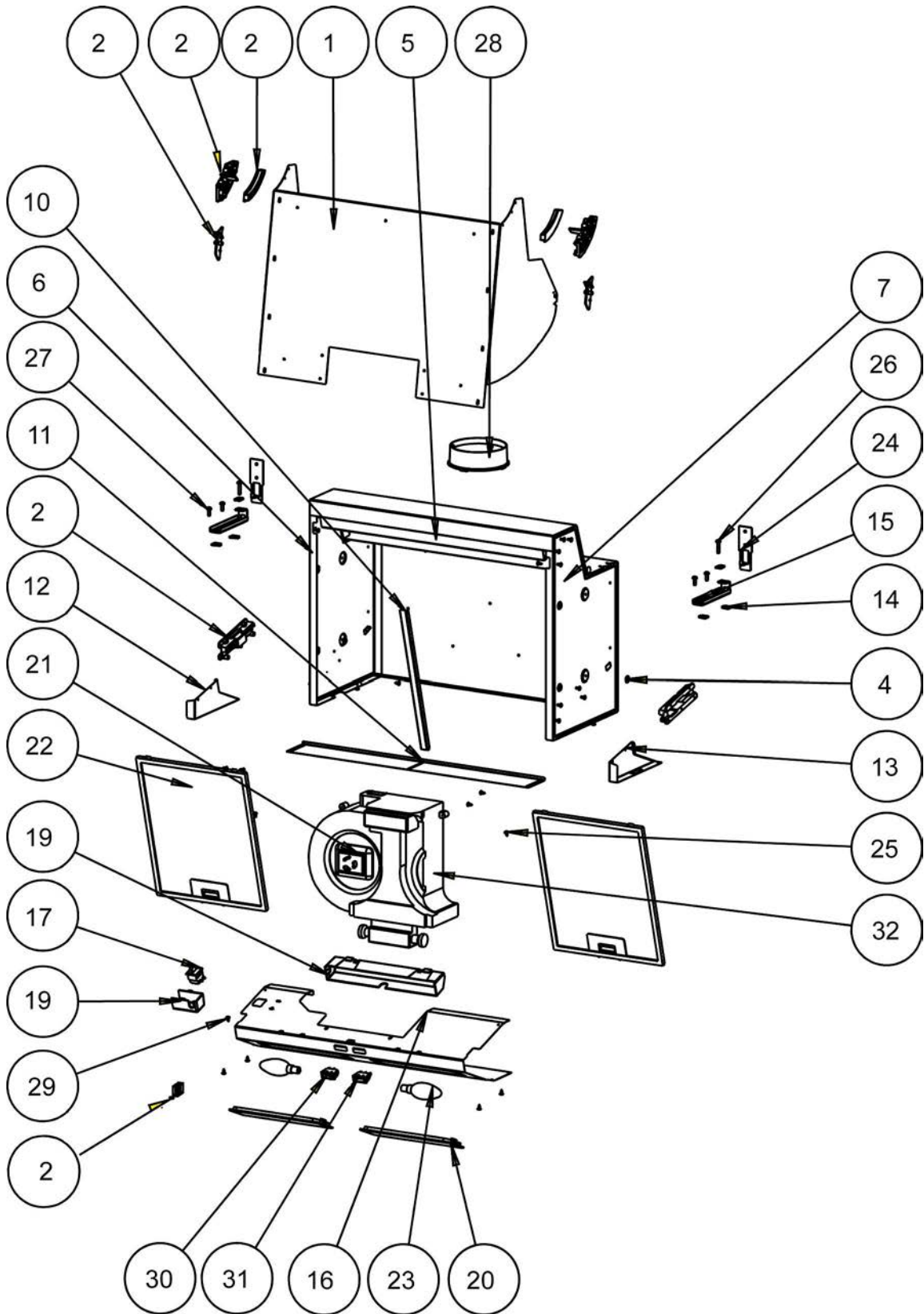


TILTERHOOD RANGE HOOD
MODEL
TH26WH, TH36WH
TH39WH

APPROVED
ISSUE: F
ECN 07 033

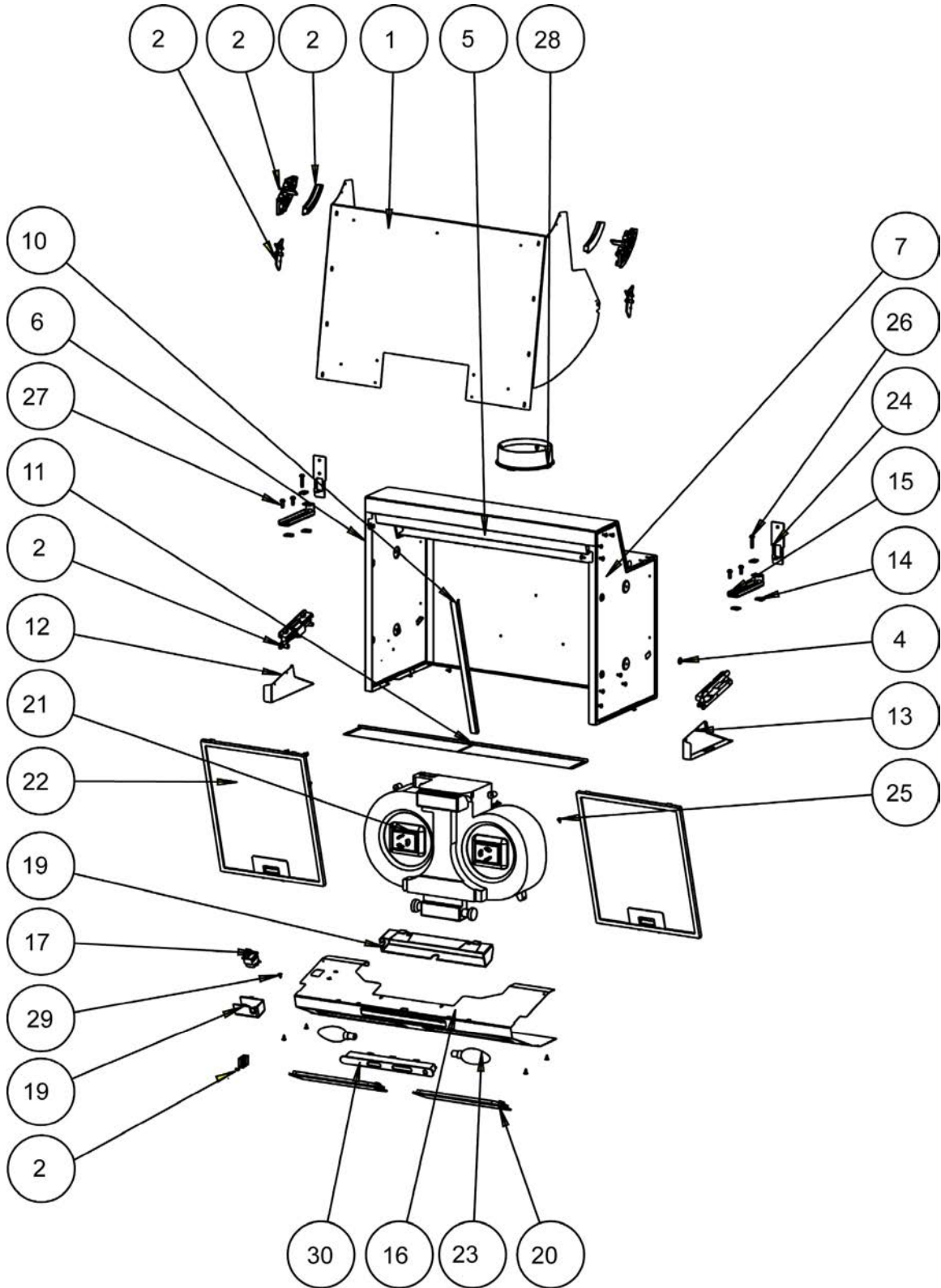
Page 1 of 10

SINGLE MOTOR



TH2/3-Series

TWIN MOTOR



TH2/3-Series

600/900 MODEL

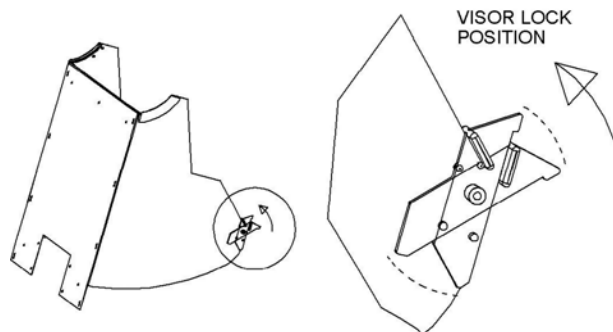
ITEM	DESCRIPTION	TH26WH PART No.	TH36WH PART No.	TH39WH PART No.
1	VISOR	110014WH	110014WH	110015WH
2	TILTER FAMILY (PLASTIC)	103768	103768	103768
4	WASHER STARLOCK	106066	106066	106066
5*	BODYWRAPPER			
6*	SIDE LH			
7*	SIDE RH			
10	FILTER SPACER	110027WH	110027WH	110028WH
11	REAR SPACER	110025WH	110025WH	110026WH
12	INNER SIDE COVER LH	110010WH	110010WH	110010WH
13	INNER SIDE COVER RH	110011WH	110011WH	110011WH
14	SPIRE NUT	999068	999068	999068
15	BRACKET MOUNTING	101395WH	101395WH	101395WH
16	CONTROL PANEL	110016WH	110018WH	110019WH
17	DOOR SWITCH	102686	102686	102686
19	DOOR SWITCH COVER	110024	110024	110024
19	SWITCH COVER	110020	110020	110020
20	DIFFUSER MAX 40W	103125	103125	103125
21	MOTOR / FAN UNIT	110021	110022	110022
22	FILTER – ALU 335x267	104163	104163	104163
22	CHARCOAL FILTER 335x267	104165	104165	104165
23	CANDLELIGHT/EDISON 40W – 250V	110023	110023	110023
24	BRACKET WALL	101396WH	101396WH	101396WH
25	SCREW – 6' x 3/8	999054	999054	999054
26	SCREW M5 x 25	999069	999069	999069
27	SCREW M5 x 15	999070	999070	999070
28	DUCT OUTLET	110030	110030	110030
30	SWITCH WHITE ON/OFF (2SP)	100683 103892	-	-
30	SWITCH (3SP)	-	103417WH.SP	103417WH.SP
31	SWITCH WHITE FAN (2SP)	100684 103893	-	-
29	SCREW 6"x3/8" T25	999017	999017	999017
31*	MOTOR HOUSING	-	-	-

*NOTE: Some cabinet parts are not available outside production.

SECTION 1.

MOTOR REMOVAL AND REPLACEMENT

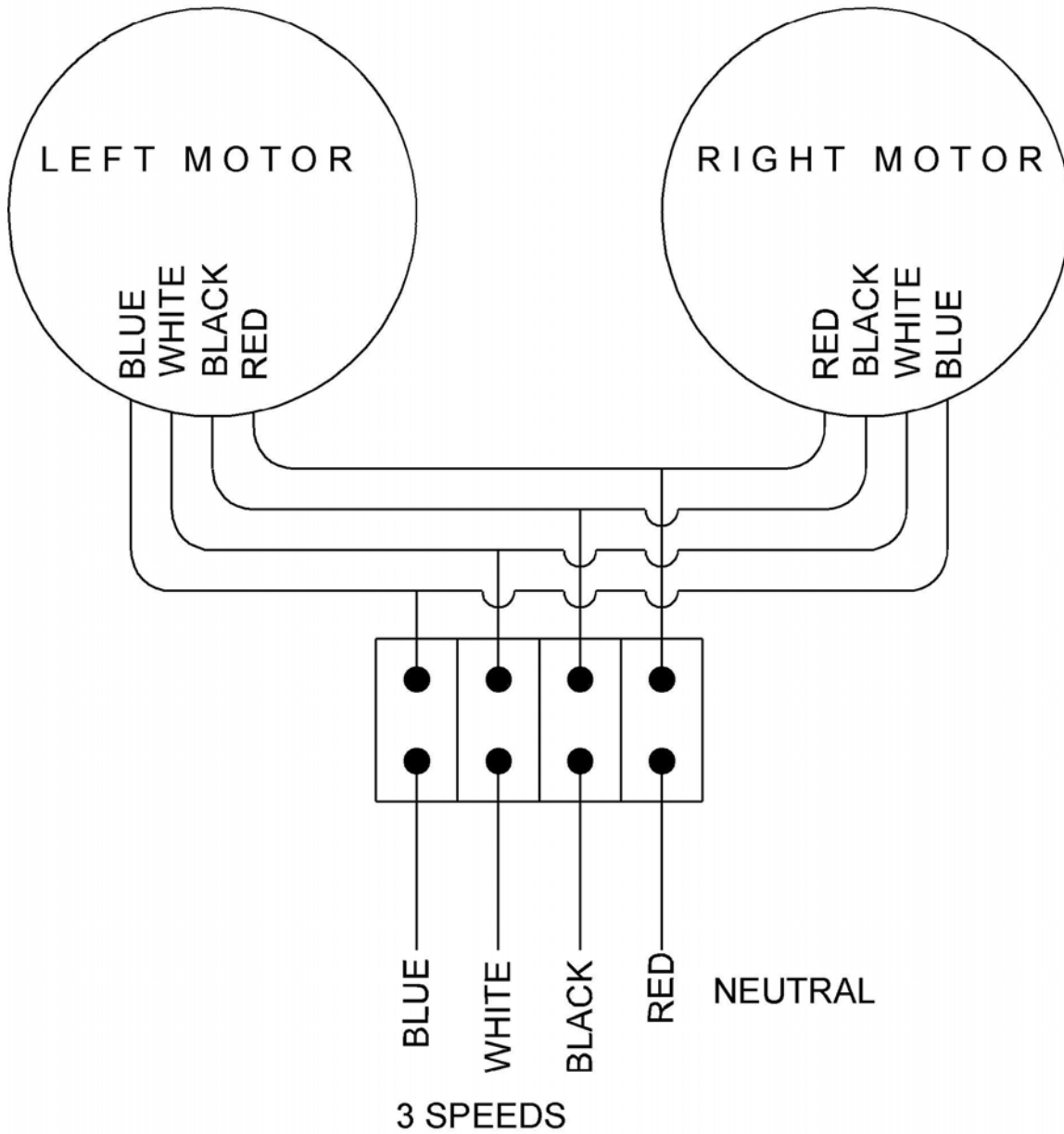
- 1.1 DISCONNECT THE POWER SUPPLY.
- 1.2 REMOVE FILTERS.
- 1.3 PUSH FORWARD REAR PLASTIC VISOR STOPS ON LOWER PART OF VISOR TO DISENGAGE FROM LOCKING POSITION, THEN WITHDRAW VISOR.



- 1.4 UNSCREW PLASTIC MOTOR HOUSING FRONT COVER AND ROLL FORWARD TO EXPOSE WIRING. [4 SCREWS]
- 1.5 UNSCREW MOTOR, ROTATE ANTI-CLOCKWISE AND PULL CLEAR. [2 SCREWS]
- 1.6 CUT MOTOR WIRES AT SUITABLE POSITION FOR JOINING OF DESIRED CONNECTING CRIMP/BLOCK. FOR LEFT HAND TWIN 3SPD MOTOR REPLACEMENT, SEE DIAGRAM ON PAGE 6.
- 1.7 JOIN WIRES AND MOUNT MOTOR.
- 1.8 FASTEN FRONT PLASTIC MOTOR MOUNTING COVER.
- 1.9 ENSURE VISOR LOCKING PLASTIC STOPS ARE STILL IN DISENGAGED POSITION. RE-INSTALL VISOR TOP FIRST AND RE-ENGAGE PLASTICS.
- 1.10 INSTALL FILTERS.
- 1.11 TEST TO ELECTRICAL STANDARDS. (NOTE: THIS IS A DOUBLE INSULATED APPLIANCE.)

TH2/3-Series

WIRING LAYOUT AFTER 8 WIRED MOTOR HAS
BEEN REPLACED BY A SPARE 4 WIRE 3SPD MOTOR
P/N 110037



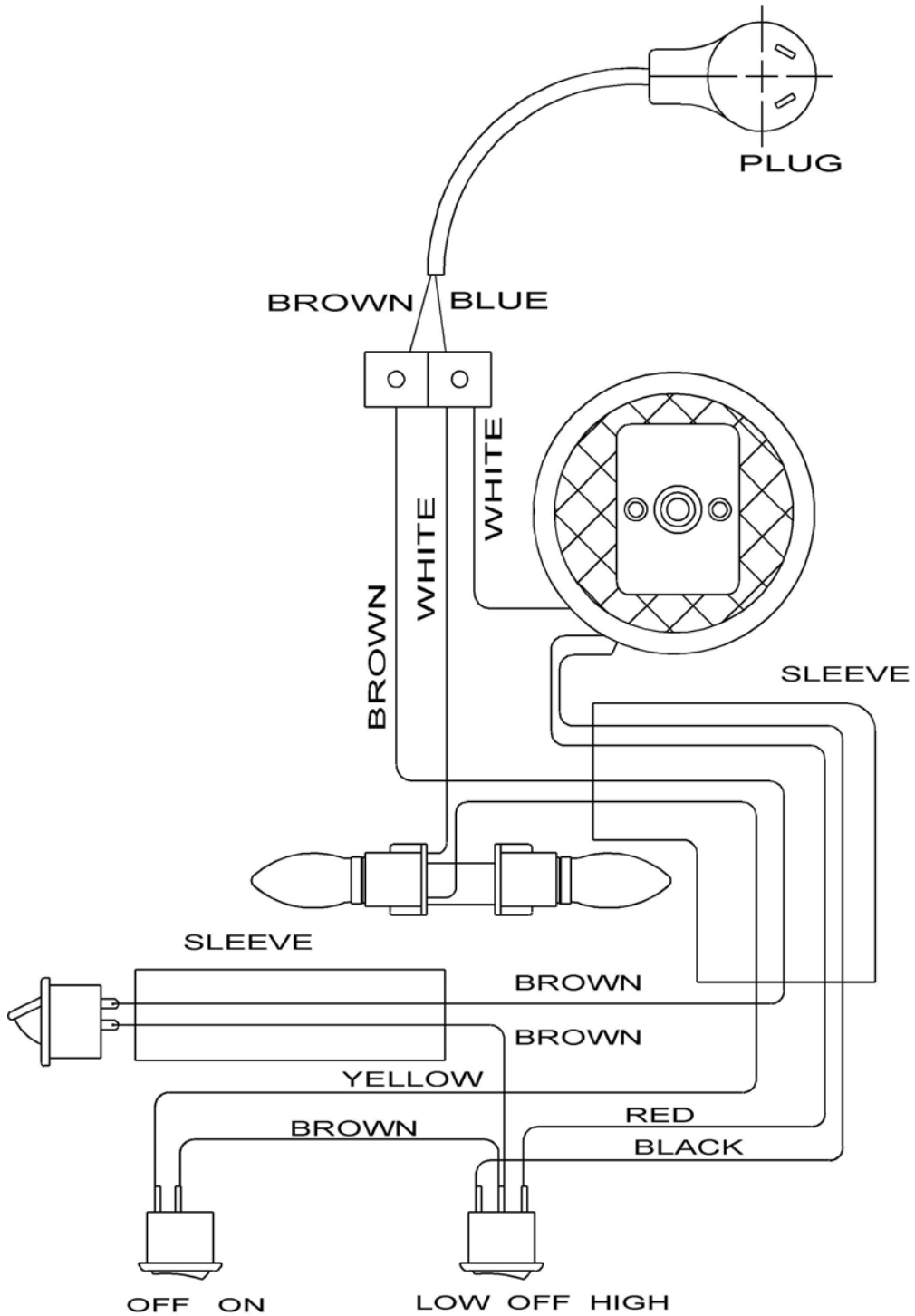
SECTION 2.

SWITCH REPLACEMENT

- 2.1 DISCONNECT THE POWER SUPPLY.
- 2.2 REMOVE FILTERS.
- 2.3 PUSH FORWARD REAR PLASTIC VISOR STOPS ON LOWER PART OF VISOR TO DISENGAGE FROM LOCKING POSITION, THEN WITHDRAW VISOR.
- 2.4 UNSCREW AND REMOVE INNER SIDES. [3 SCREWS EACH]
- 2.5 UNSCREW REAR TOP CONSOLE MOUNTING SCREWS. [2 OFF]
- 2.6 REMOVE FILTER SPACER [S].
- 2.7 UNSCREW LOWER CONSOLE MOUNTING SCREWS [5 OFF] – WHILST SUPPORTING CONSOLE.
- 2.8 ROLL CONSOLE OUT OF CARCASS THROUGH CUT OUTS IN OUTER SIDES.
- 2.9 FOR SWITCH COVER REMOVAL DEPRESS FASTENING LUGS AND WITHDRAW.
NOTE: FOR DOOR SWITCH COVER REMOVE LOCKING SCREW ITEM 29.
- 2.10 REMOVE WIRES, REPLACE SWITCHES AS NECESSARY.
- 2.11 RE-ASSEMBLE HOOD IN REVERSE ORDER.
- 2.12 TEST TO ELECTRICAL STANDARD. (NOTE: THIS IS A DOUBLE INSULATED APPLIANCE.)

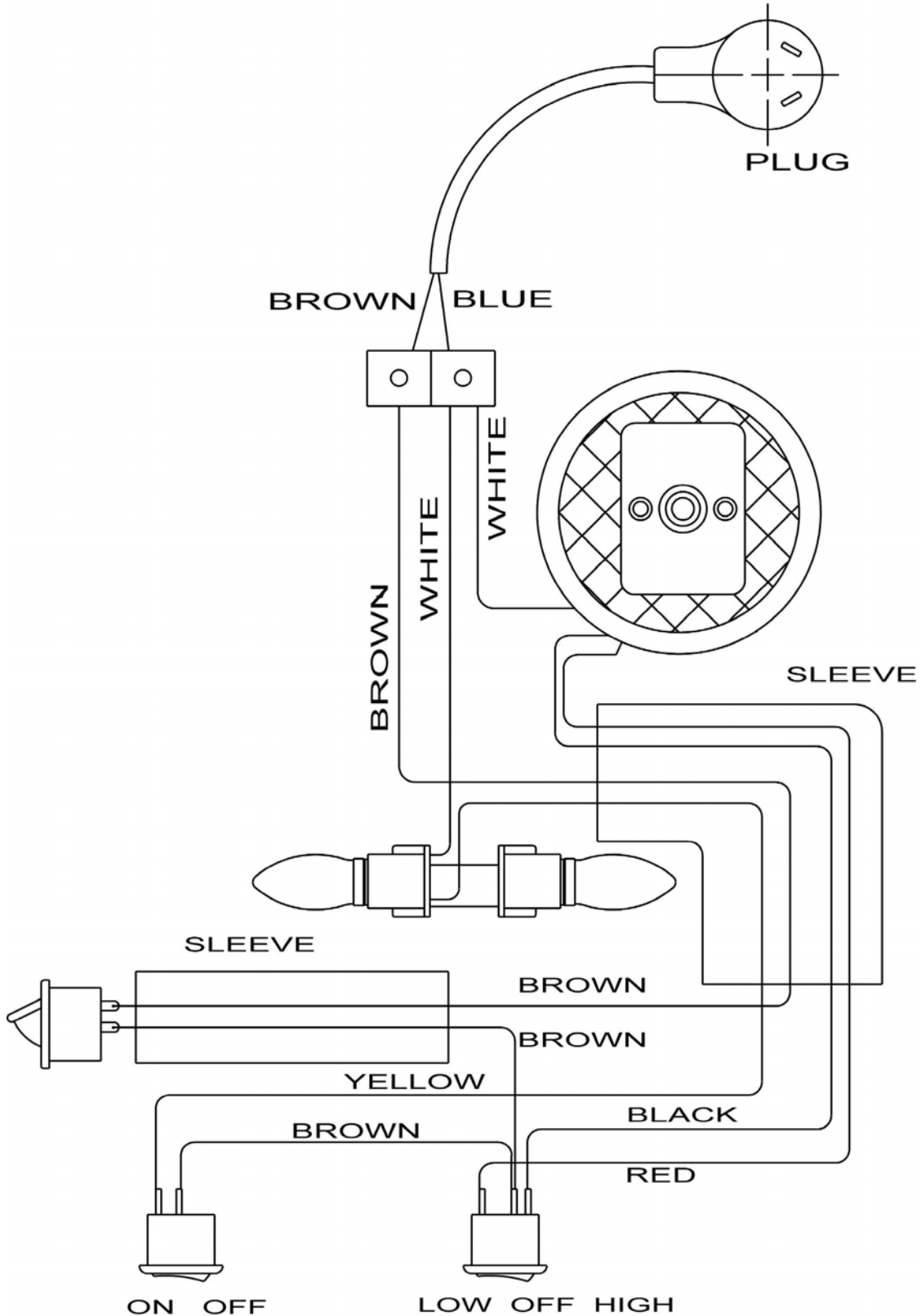
TH2/3-Series

**2-SPEED WIRING DIAGRAM FOR
100683 LIGHT SWITCH
100684 FAN SWITCH**



TH2/3-Series

2-SPEED WIRING DIAGRAM FOR 103892 LIGHT SWITCH 103893 FAN SWITCH



TH2/3-Series

3-SPEED WIRING DIAGRAM

