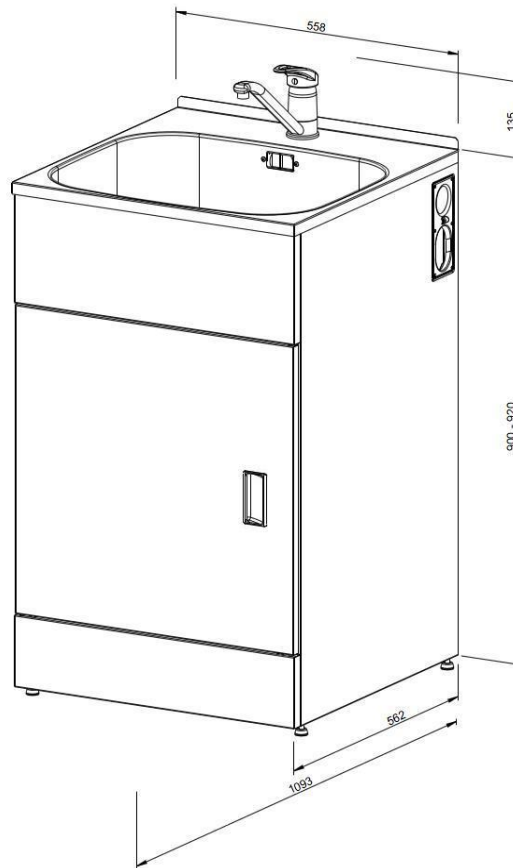


Model Number: **ST3101, ST3101A**
 Description: **SUPERTUB EXTRA APTAP**
 Bar Code: **9414930213309, 9414930213484**

Typical design



Features and benefits

Features

- Single lever tap suitable for all water pressure
- Spacious single door
- Seamless stainless steel tub
- Powder coated galvanized steel cabinet
- Modern styling
- Ceramic mixer head technology
- Side apertures for hoses
- Supporting levelling feet
- Hidden washing machine taps and shut-off valve
- Separate waste pipe for washing machine
- Improved plumbing components

Benefits

- Ease of operation
- Easy organization and storage in the laundry
- Left or right option
- Long lasting and easy to clean
- Corrosion resistant for long life
- Compliments leading brands of washing machines
- Finger touch control of water flow
- Easy access for washing machine connections and hides unsightly hoses
- Ensure stability on uneven surfaces
- Allows a tap less console, giving a cleaner, more aesthetic appearance
- Allows washing machine to empty when tub is full
- Capable of working on all water pressure situations above 10 psi

Specifications

Technical data:

- Cabinet - 0.6mm galvanized sheet metal, powder coated. 24 months warranty
- Bowl – 0.8mm polished stainless steel bowl, 30 litre capacity. 5 years warranty
- Mixer - single lever ceramic cartridge. 24 months warranty
- Plastic parts - ABS UV (ultra violet sun protection)
- WELS rating 3 star rated (Australia): 7.8 litres per minute

Nett Weight: 18kg

Carton Weight: 20.5 kg

Carton Dimension (mm): 585 x 630 x 970 (w x d x h)

Volume (m3): 0.358 m³

Performance data:

- Designed and manufactured to perform in all water pressure situations above 10 psi
- See table below for examples of time taken to fill a 30 litre tub

Pressure (Psi)	Flow Rate (L/min)	Time 30 litre bowl (Minutes)
10	5.08	5.54
20	6.86	4.23
65*	11.13	2.42

* Typical household pressure

How to measure your water flow in your home. (measuring jug, watch)

Place a one litre measuring jug under the faucet, with your watch ready open the cold water, when the jug is full confirm the time on the watch in seconds. Multiply this number by 30 for a 30 litre bowl.

Example 1 litre jug fills in 8 seconds x 30 litres = 240 seconds divide by 60 for minutes equals 4 minutes
Approx 65 Psi.

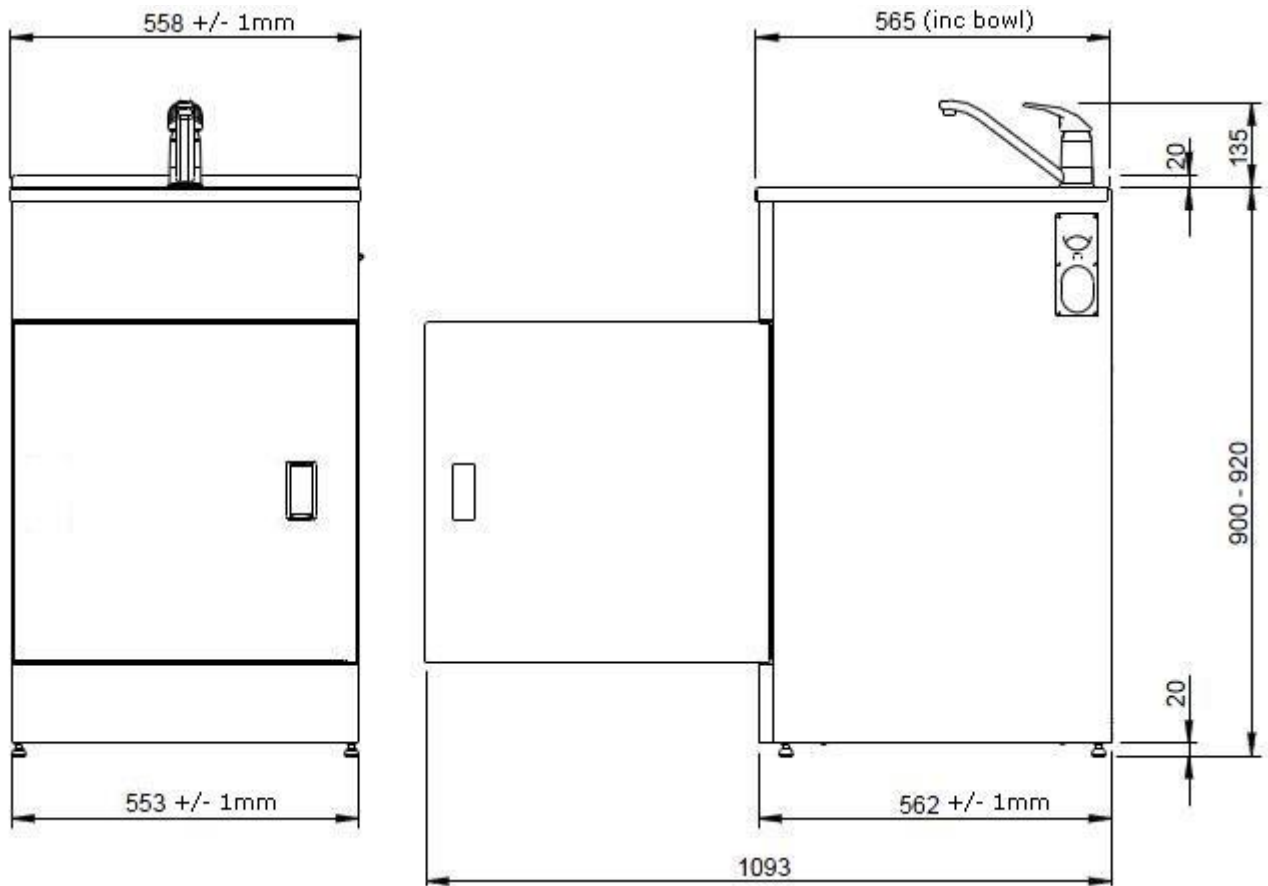
Example 1 litre jug fills in 12 seconds x 30 litres = 360 seconds divide by 60 for minutes equals 6 minutes
Approx 20 Psi.

Repeat for the hot water, if the results are the same it will confirm that the pressure is equal.

Hot Pressure	Cold Pressure	Known As	Suitable
Low	Low	Low	Yes
High	High	Mains	Yes
Low	High	Unequal	Yes
High	Low	Unequal	Yes*

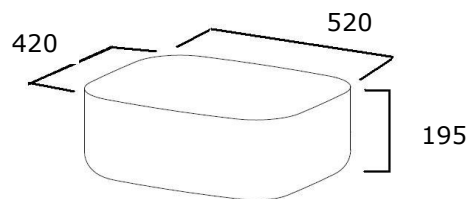
* Will require non return valve to be swapped from hot to cold side.

Plan view Dimensions

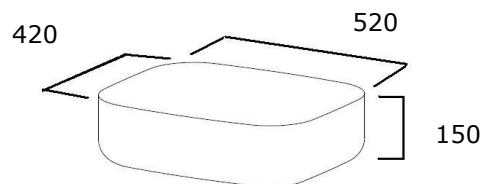


Drawer and Bowl Dimensions

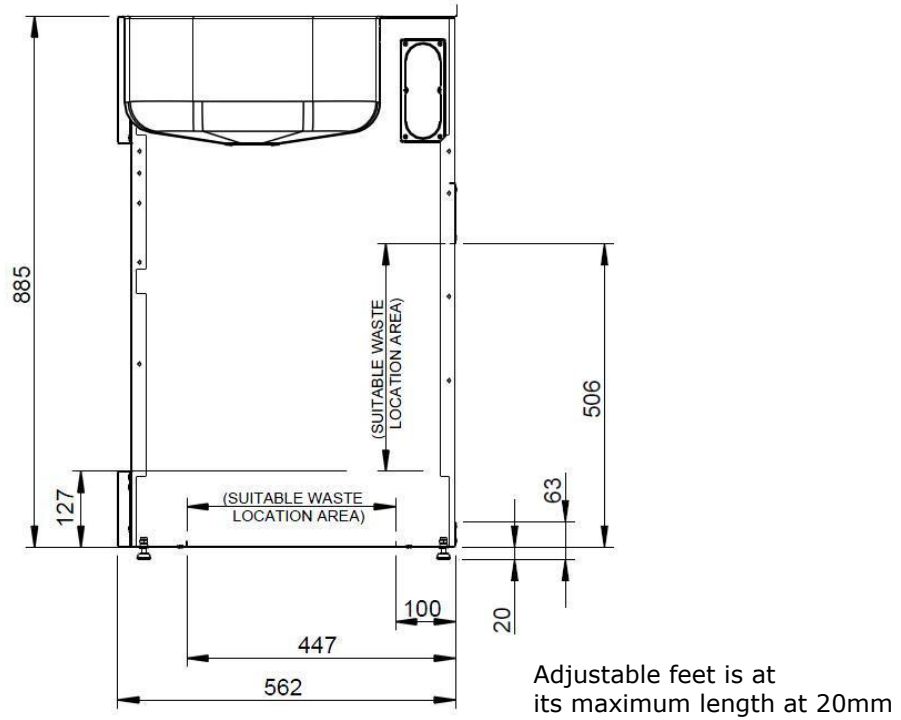
The tub detail to the top of the tub volume is 38 litres



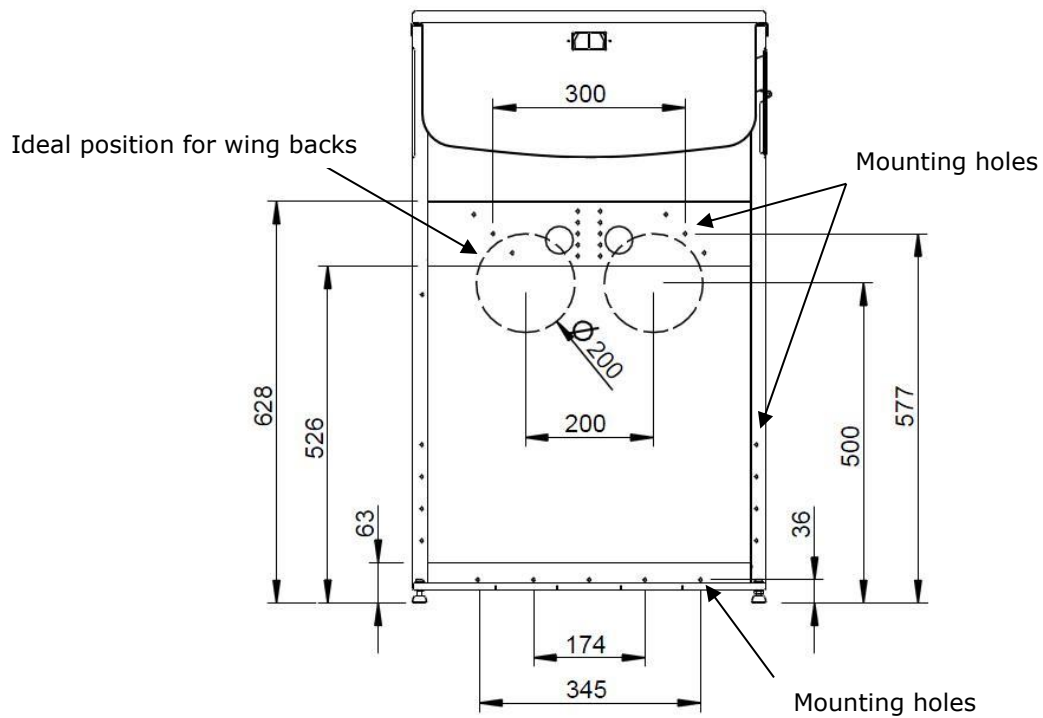
The detail to the bottom of the overflow volume is 30 litres



Fit Out Detail Side View



Fit Out Detail Front View



New Zealand

Monaco Corporation Ltd
 Telephone: (09) 415 6000
 Facsimile: (09) 415 7400
 Email: enquiries@robinhood.co.nz
 www.robinhood.co.nz

Australia

Shriro Australia Pty Ltd
 ABN 28 002 386 129
 Telephone: 1800 648 556
 Facsimile: 1800 628 577
 Email: enquiries@robinhood.com.au
 www.robinhood.com.au