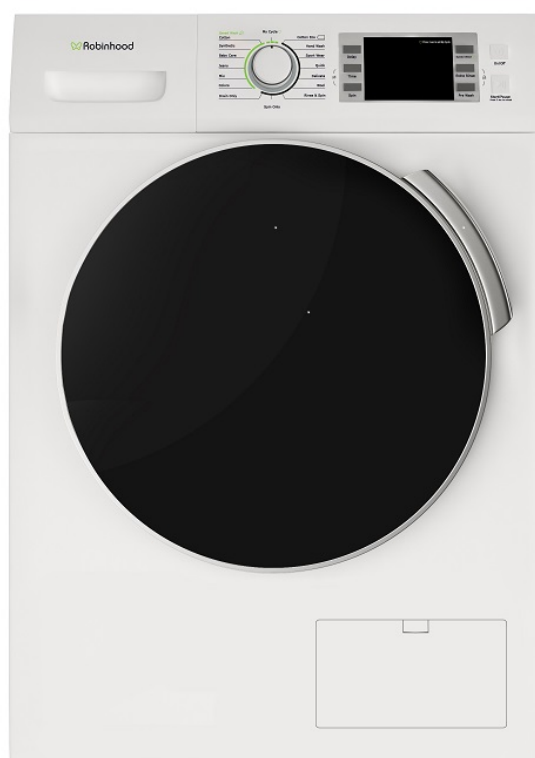


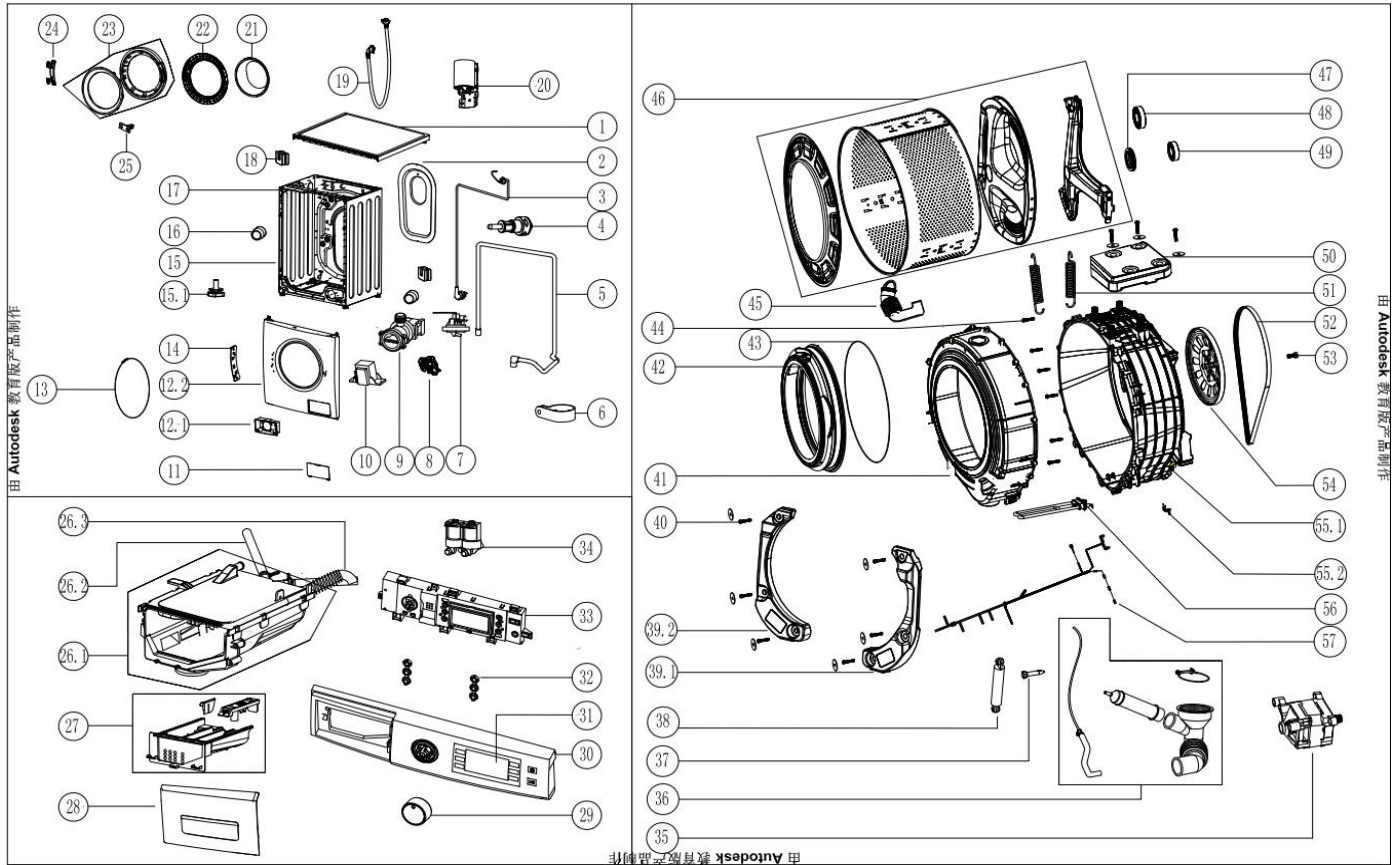
Description: **ROBINHOOD 9KG WASHING MACHINE FRONT LOADER**

Model Number: **RHWM9W**



Model pictured: **RHWM9W**

Exploded view and Parts List

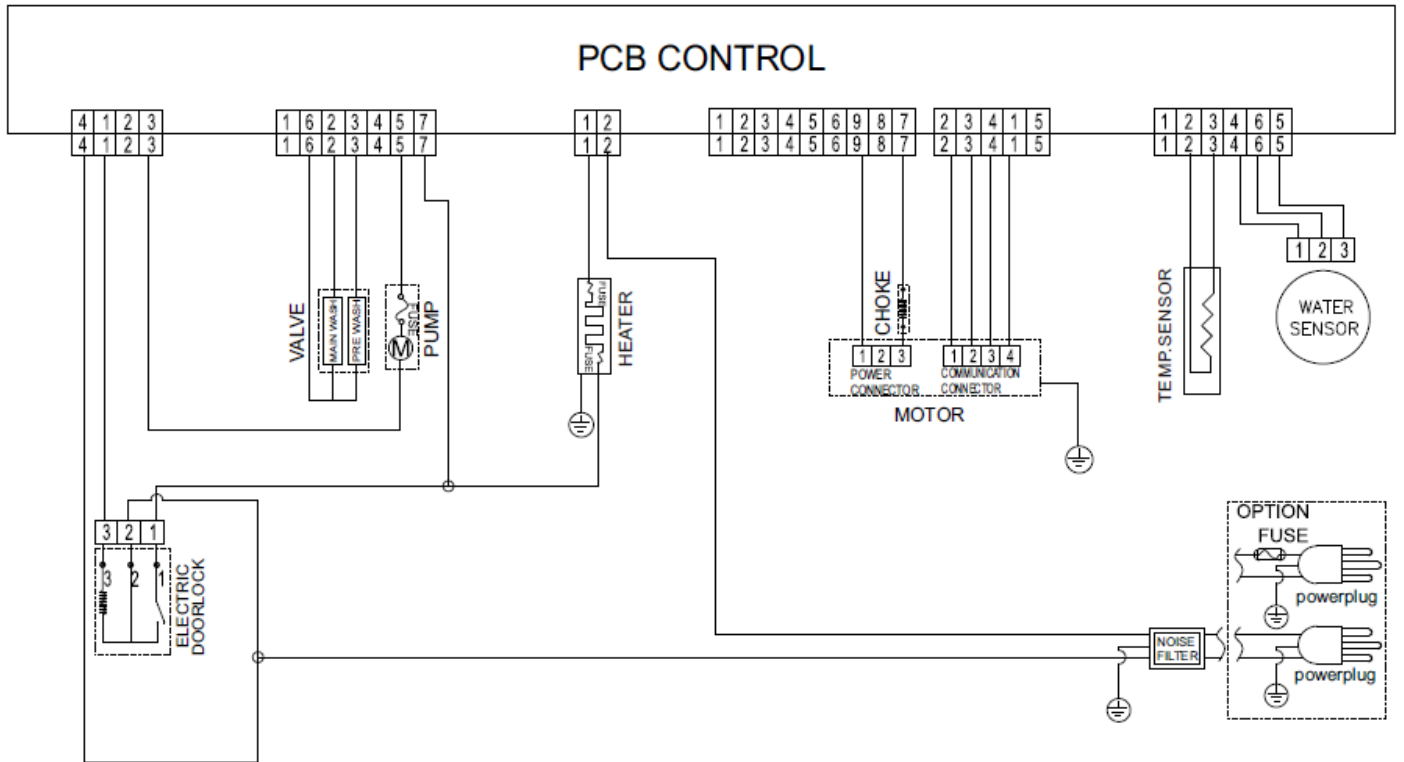


Item	Description	Quantity	Part Number
1	Top Cover Assembly	1	12138100000446
2	Rear Cover	1	12238100000652
3	Power Cord	1	17438100000934
4	Shipping Screw Assembly	4	12938100000062
5	Drain Hose Assembly	1	12138100010151
6	Drain Hose Catch	1	12138100003094
7	Internal Wire Assembly	1	17438100002447
8	Water Level Sensor	1	17438100001348
9	Door Lock	1	17438100000455
9	Permanent magnet synchronous pump	1	11001011000245
10	Choke	1	17400306000263
12	Front Panel Assembly	1	12238100001021
12.1	Service Plate Box	1	12138100003574
12.2	Front Panel	1	12238100002051
13	Door Gasket Spring Clip Spring	1	12938100000049
15	Cabinet Assembly	1	12238100004583
15.1	Adjustable Foot Assembly	4	12638100000042
16	Front Panel Pin	2	12138100018556
17	Top Bracket	1	12238100000028
18	Spring Support	2	12138100003060

Parts List Continued

Item	Description	Quantity	Part Number
19	Water Inlet Hose Assembly	1	12038100A00285
20	Electric Filter Assembly	1	17438100000597
21	Door Subassembly	1	n/a
21.1	Door Glass	1	12538100000005
21.2	Inner Ring	1	12138100000050
21.3	Outer Frame Assembly	1	12138100000061
21.4	Hinge Assembly	1	12338100000185
21.5	Door Plunger	1	12338100000215
26	Dispenser Subassembly	1	12138100008567
26.1	Detergent Box Assembly	1	n/a
26.2	Water Inlet Pipe	2	12638100000098
26.3	Tub Air Drain Hose	1	n/a
27	Drawer Assembly	1	12138100009673
28	Drawer Handle And Printing	1	12138100A36260
29	Cycle Select Knob Assembly	1	12138100003104
30	Control Panel Assembly	1	12138100A36258
31	LED Decorate Plate And Printing	1	12138100A36259
32	Silicone Button	2	12638100000560
33	PCB	1	17138100009044
34	Water Inlet Valve	1	17438100000413
35	Brushless DC Motor	1	11002015000601
36	Tub Drain Hose Assembly	1	12638100000488
37	Damper Pin	8	12138100002987
38	Damper	4	12938100000466
39	Counterweight Assembly	1	n/a
39.1	Front Right Counterweight	1	12138100002987
39.2	Front Left Counterweight	1	12938100000466
40	Tapping screw	12	11303202000007
41	Front Tub Assembly	1	12138100010150
42	Door Gasket	1	12638100000535
43	Door Gasket Clamp	1	12938100000018
44	Tapping screw	17	11303220000025
45	Tub Water Inlet Hose Assembly	1	12638100000278
46	Basket Assembly	1	12238100000524
47	Shaft_seal	1	12638100000288
48	Bearing	1	12938100000137
49	Bearing	1	12938100000132
50	Upper Counterweight	1	12338100000204
51	Suspension Spring	2	12900104000018
52	Belt	1	12638100000421
53	Hexagon head bolt	1	11301806000001
54	Pulley	1	12338100000281
55	Rear Tub Assembly	1	12138100A11826
55.1	Outer Barrel After And Bearing House	1	12138100006457
55.2	Heater Support	1	12238100000506
56	Heater	1	17438100000434

Wiring diagram



New Zealand

Monaco Corporation Ltd
 Telephone: (09) 415 6000
 Facsimile: (09) 415 7400
 Email: enquiries@robinhood.co.nz
 www.robinhood.co.nz

Australia

Shriro Australia Pty Ltd
 (ABN 28 002 386 129)
 Telephone: 1800 648 556
 Facsimile: 1800 628 577
 Email: enquiries@robinhood.com.au
 www.robinhood.com.au