

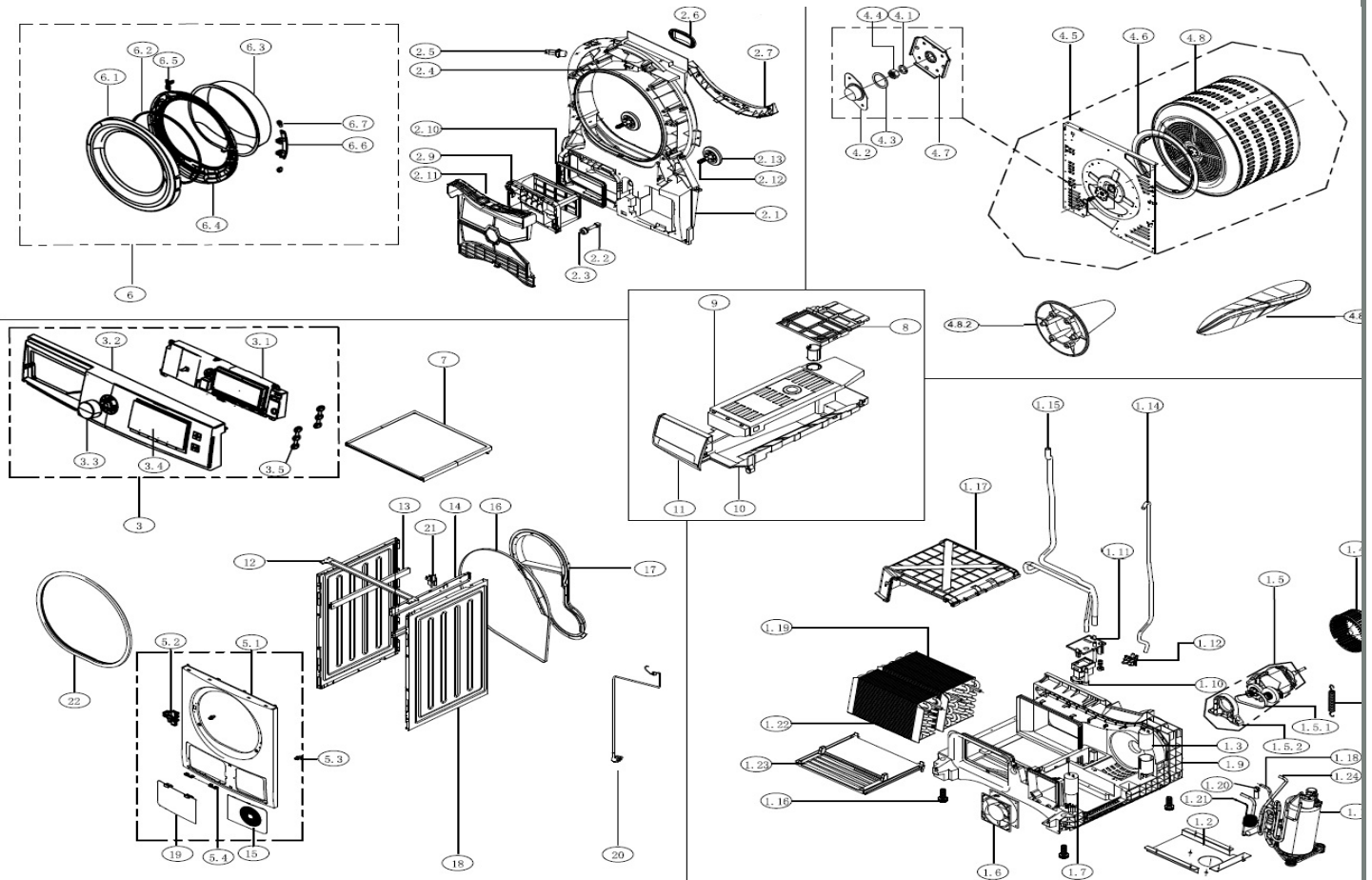
Description: **ROBINHOOD 7KG HEAT PUMP DRYER**

Model Number: **RHHPD7W**



Model pictured: **RHHPD7W**

# Exploded view and Parts List

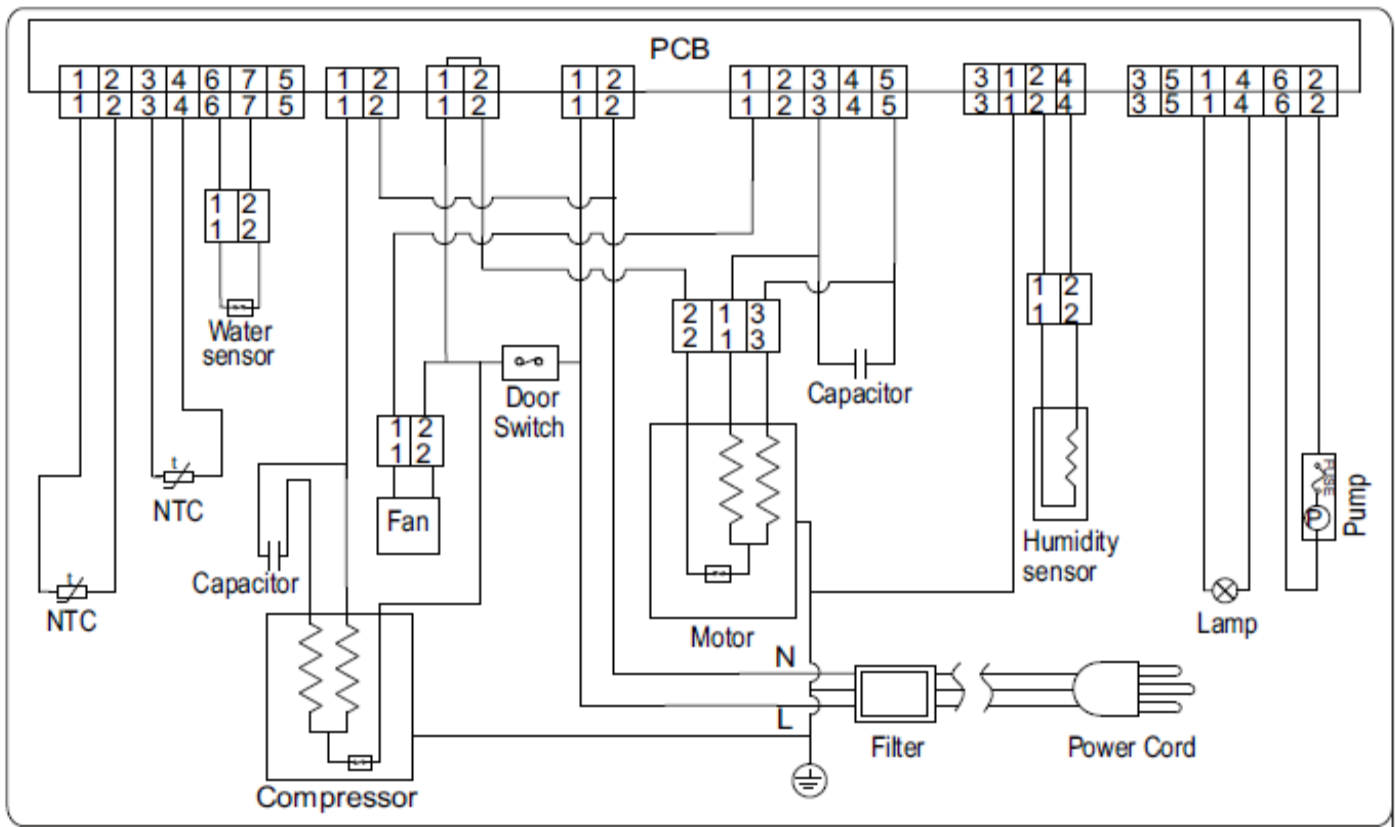


Item	Description	Quantity	Part Number
1.1	Fixed speed rotary compressor	1	11103010000639
1.2	Blower Collet Assembly	1	12238200000105
1.3	Capacitor	1	17400101000252
1.4	Fan Assembly	1	12138200000129
1.5	Single phase asynchronous motor	1	11002012000876
1.5.1	Short Belt	1	12638200000006
1.5.2	Motor Support	1	12138200000505
1.6	Single phase asynchronous motor	1	11002012003998
1.7	Capacitor	1	17400101000261
1.8	Tensioner Spring	1	12900104000045
1.9	Base Assembly	1	12138200002601
1.10	Permanent magnet synchronous pump	1	11001011000138
1.11	Water Level Sensor Assembly	1	17438200000461
1.12	Drain Hose Joint	1	12138200000435
1.14	Drain Hose	1	12138200000216
1.15	Overflow Hose	1	12138200000445
1.17	Cover Assembly	1	12138200000499
1.18	Pipe Joint (I) Assembly	1	15138200000064
1.19	Condenser	1	15838200000021
1.20	Temperature Sensor	2	17438100001352
1.21	Capillary	1	15138200000061
1.22	Evaporator	1	15838200000022
1.23	Condenser Clapplate	1	12138200000061
1.24	Pipe Joint	1	15138200000063

## Parts list Continued

2.1	Front Support Assembly	1	12138200000481
2.2	Temperature Sensor	2	17438100001352
2.3	Seal Thermistor	1	12638200000035
2.5	Lamp	1	17438000001284
2.6	Cover Lamp Assembly	1	12138200000841
2.7	Humidity Sensor Assembly	1	12138200001901
2.9	Lint Handle Assembly	1	12138200000190
2.10	Double Sealed Gasket	1	12638200000061
2.11	Filter Lint Assembly	1	12138200000423
2.12	Nut	2	11301512000079
2.13	Wheel Assembly	2	12938200000037
3.1	PCB	1	17138200001724
3.2	Control Panel Assembly	1	12138200A08543
3.3	Knob Assembly	1	12138100003104
3.4	LED Decorate Plate And Printing	1	12138200A08545
3.5	Silicone Button	2	12638100000560
4.1	Plain washer	1	11300410000050
4.2	Cover Bearing	1	12238200000242
4.3	Seal Cover Bearing	1	12638200000007
4.4	Nut	1	11301512000156
4.5	Cabinet Cover Back	1	12238200000172
4.6	Seal Back Assembly	1	12438200000222
4.7	Bearing House Assembly	1	12238200001083
4.8	Basket Assembly	1	12238200001161
4.8.1	Baffle	2	12138200000486
4.8.2	Cover Basket	1	12138200000221
5.1	Front Panel	1	12238200001681
5.2	Door Lock	1	17438200000116
5.3	Positioning Pin	2	12138200000175
5.4	Maintenance Cover	1	12138200002462
6.1	Outer Frame Assembly	1	12138200000812
6.2	Inner Ring Seal	1	12638200000003
6.3	Window Door	1	12138200000455
6.4	Inner Ring	1	12138200001661
6.5	Door Plunger	1	12938200000022
6.6	Door Hinge	1	12938200000027
6.7	Door Hinge Pin Cover	2	12138100002963
7	Top Cover Assembly	1	12138200000409
8	Support	1	12138200000494
9	Drawer Assembly	1	12138200000326
10	Housing Drawer	1	12138200001490
11	Water Container Handle And Printing	1	12138200A08544
12	Top Bracket	1	12238200000072
13	Bracket Side	2	12238200000162
14	Right Top Bracket	1	12238200000001
15	Fan Cover	1	12138200002461
16	Long Belt	1	12638200000032
17	Cover Back	1	12138200000502
18	Side Plate	2	12238200000145
19	Maintenance Cover	1	12138200002462
20	Power Cord	1	17438200000101
21	Electric Filter Assembly	1	17438200000408
22	Door Gasket	1	12638200000019

# Wiring diagram



## New Zealand

Monaco Corporation Ltd  
 Telephone: (09) 415 6000  
 Facsimile: (09) 415 7400  
 Email: enquiries@robinhood.co.nz  
 www.robinhood.co.nz

## Australia

Shriro Australia Pty Ltd  
 (ABN 28 002 386 129)  
 Telephone: 1800 648 556  
 Facsimile: 1800 628 577  
 Email: enquiries@robinhood.com.au  
 www.robinhood.com.au