

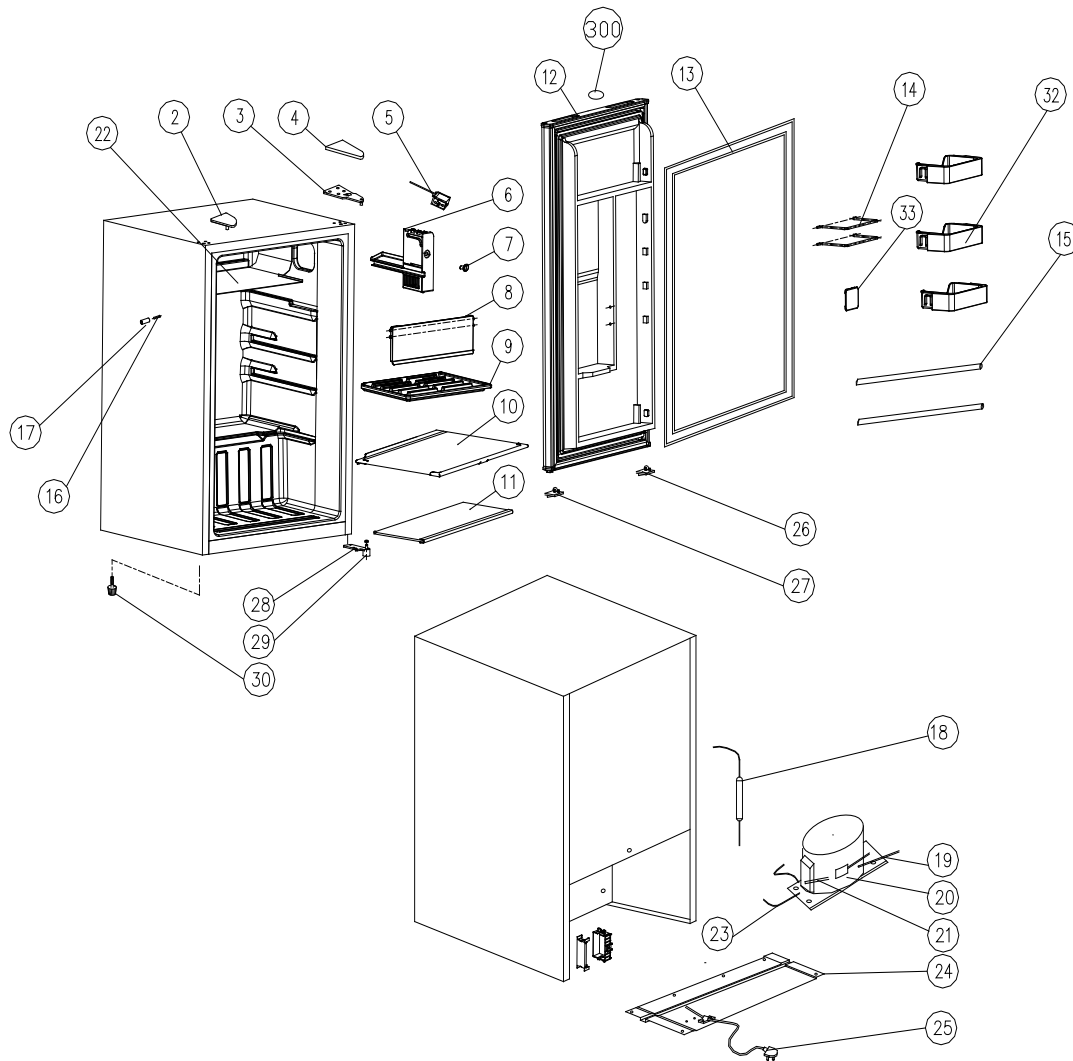
Description: **ROBINHOOD 78L BAR FRIDGE WHITE**

Model Number: **RHBFD78W**



Model pictured: **RHBFD78W**

Exploded view



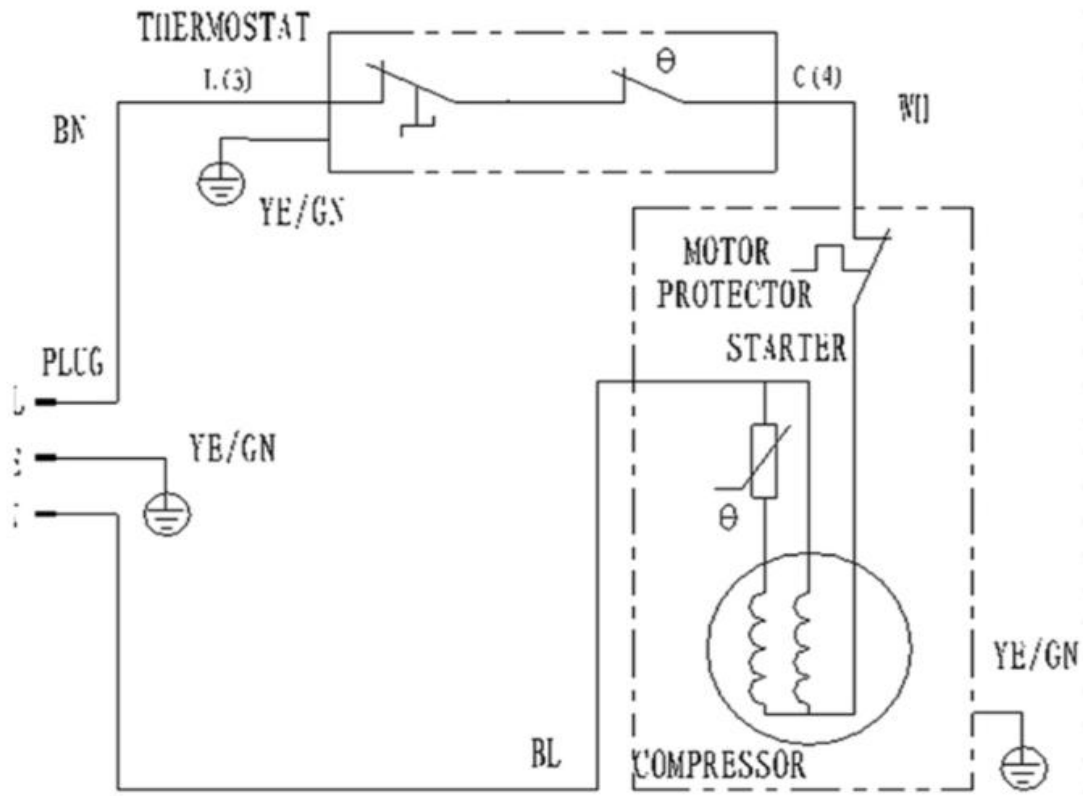
Model pictured: **RHBF78W**

Model & Parts may vary slightly from images pictured

Parts List

Item	Description	Item Code	Quantity
2	Hinge Screw Hole Cover	n/a	1
3	Upper Hinge Assembly	n/a	1
4	Hinge Cover	20122080159	1
5	Thermostat	n/a	1
6	Thermostat Cover	n/a	1
7	Thermostat Knob	n/a	1
8	Ice Box Door	2208100002	1
9	Drain pan	2207700001	1
10	Wire shelf	20120020241	1
11	Bottom Wire shelf	20120030177	1
12	Door Assembly	n/a	1
13	Door gasket	n/a	1
14	Door bar, upper	3031500070	2
15	Door bar, lower	3031500095	2
16	Jacket of temperature sensor capillary	n/a	1
17	Cover of temperature sensor capillary	n/a	1
18	Drier filter	n/a	1
19	Process tube	n/a	1
20	Compressor	n/a	1
21	Connecting tube	n/a	1
22	Evaporator assembly	n/a	1
23	earthing wire of compressor	n/a	1
24	Compressor Support Base	n/a	1
25	Power Supply Cord	n/a	1
26	Left limit block of door	n/a	1
27	Right limit block of door	n/a	1
28	Lower Hinge Assembly	n/a	1
29	Short adjustable foot	n/a	1
30	Long adjustable foot	n/a	1
32	Door Rack	20122050806	3
33	Decorative piece	n/a	1
300	Logo	n/a	1

Wiring diagram



New Zealand

Monaco Corporation Ltd
Telephone: (09) 415 6000
Facsimile: (09) 415 7400
Email: enquiries@robinhood.co.nz
www.robinhood.co.nz

Australia

Shriro Australia Pty Ltd
(ABN 28 002 386 129)
Telephone: 1800 648 556
Facsimile: 1800 628 577
Email: enquiries@robinhood.com.au
www.robinhood.com.au