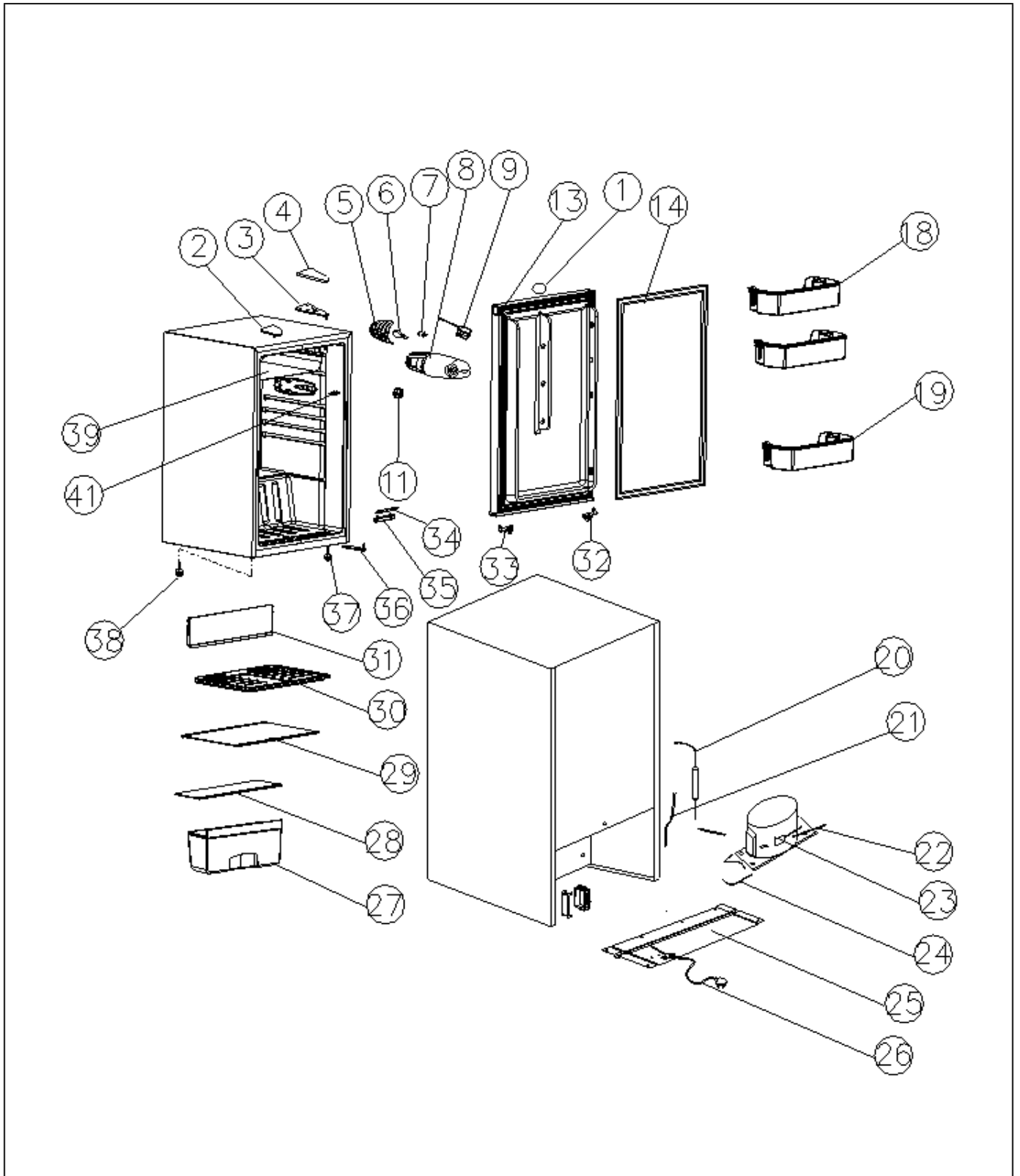


Description: **ROBINHOOD 126L BAR FRIDGE S/S**  
Model Number: **RHBFD126X**



Model pictured: **RHBFD126X**

## Exploded view



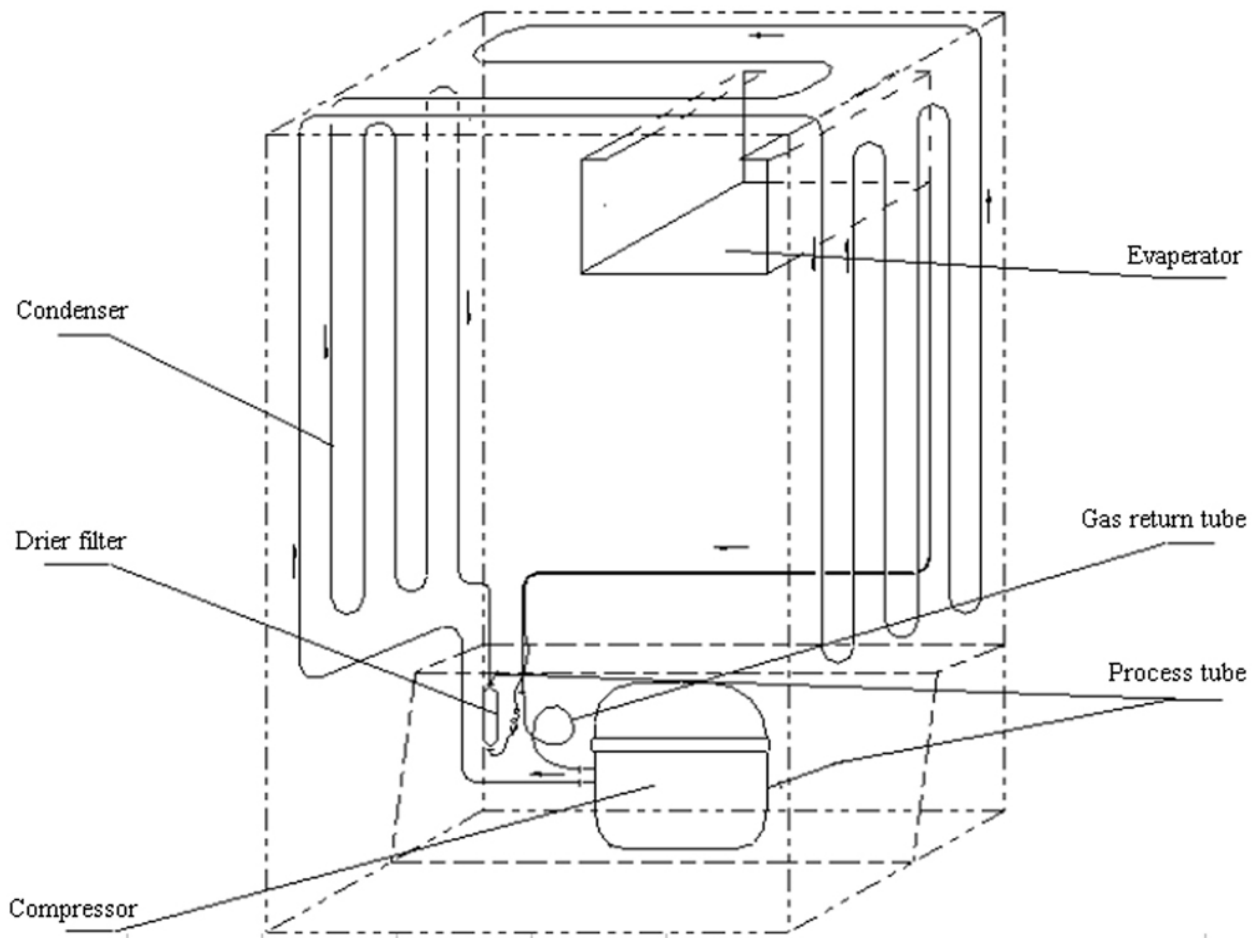
Model pictured: **RHBF126X**

*Model & Parts may vary slightly from images pictured*

<b>Item</b>	<b>Description</b>	<b>Part Number</b>
2	Cover of door hinge screw hole	n/a
3	Upper door hinge assembly	3031400148
4	Door hinge cover	20122080163
5	Lamp Cover	20122010053
6	Lamp Bulb	3050500008
7	Lamp holder	3050600003
8	Thermostat cover	20122010014
9	Thermostat	3040200059
11	Thermostat Knob	20122010025
13	Door	2100140551
14	Door gasket	3020400019
18	Door rack,upper	2207501257
19	Door rack,lower	2207501258
20	Drier filter	n/a
21	Connecting tube	
22	Process tube	
23	Compressor	
24	Earthing wire of compressor	
25	Compressor base support	
26	Power supply cord with plug	
27	Crisper drawer	2207400515
28	Crisper cover	20120030095
29	Glass shelf	20120020181
30	Drain Pan	2207700072
31	Ice Box Door	2208200116
32	Aid-closer, left, lower door	n/a
33	Aid-closer, right,lower door	
34	Jacket of temperature sensor capillary	
35	Cover of temperature sensor capillary	
36	Lower Door Hinge Assembly	3031400067
37	Short Adjustable Foot	20122990810
38	Long Adjustable Foot	20122990782
39	Evaporator	3040300064
41	Door Switch	2501100002

## Wiring diagram

### The cooling system



#### New Zealand

Monaco Corporation Ltd  
Telephone: (09) 415 6000  
Facsimile: (09) 415 7400  
Email: [enquiries@robinhood.co.nz](mailto:enquiries@robinhood.co.nz)  
[www.robinhood.co.nz](http://www.robinhood.co.nz)

#### Australia

Shiro Australia Pty Ltd  
(ABN 28 002 386 129)  
Telephone: 1800 648 556  
Facsimile: 1800 628 577  
Email: [enquiries@robinhood.com.au](mailto:enquiries@robinhood.com.au)  
[www.robinhood.com.au](http://www.robinhood.com.au)