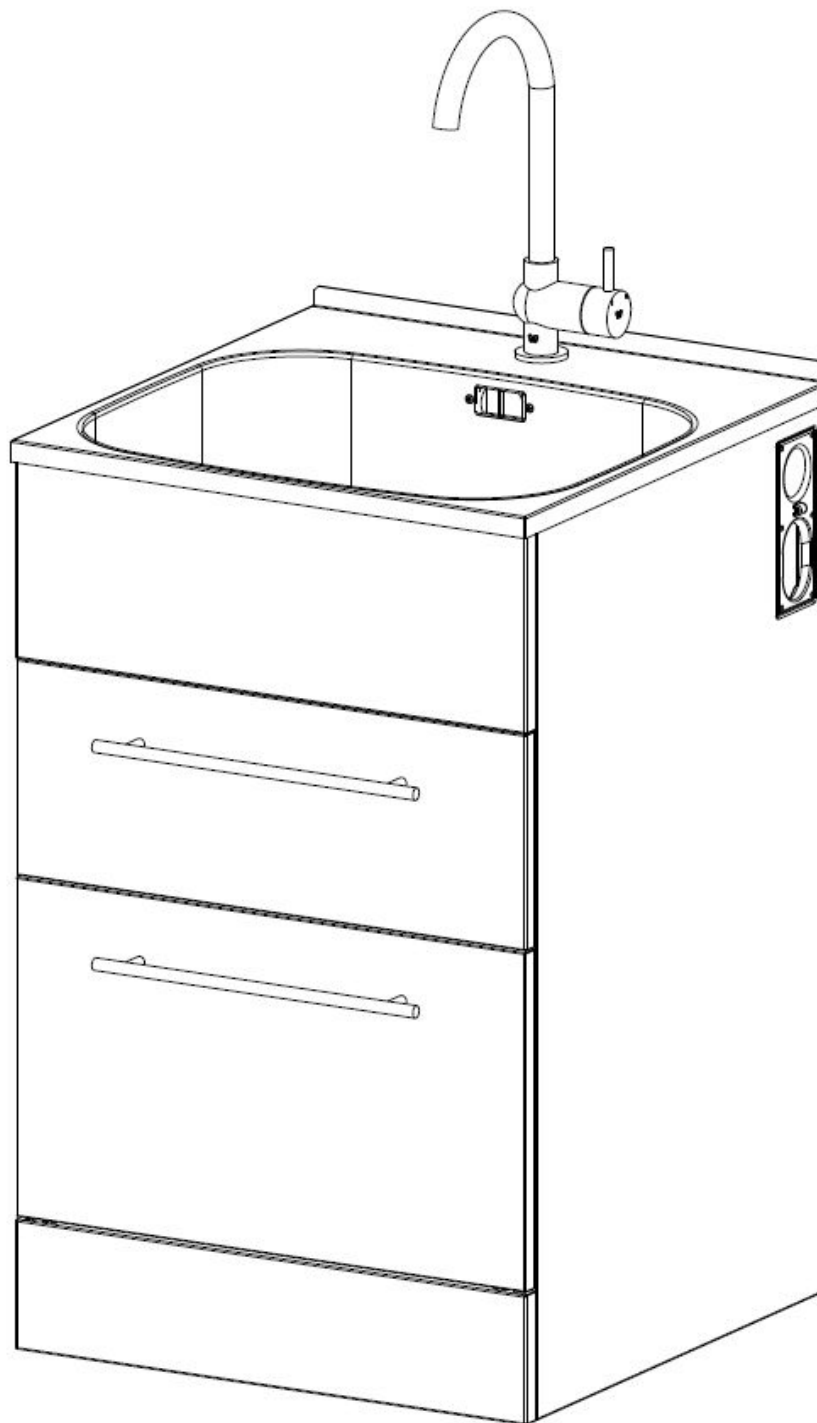
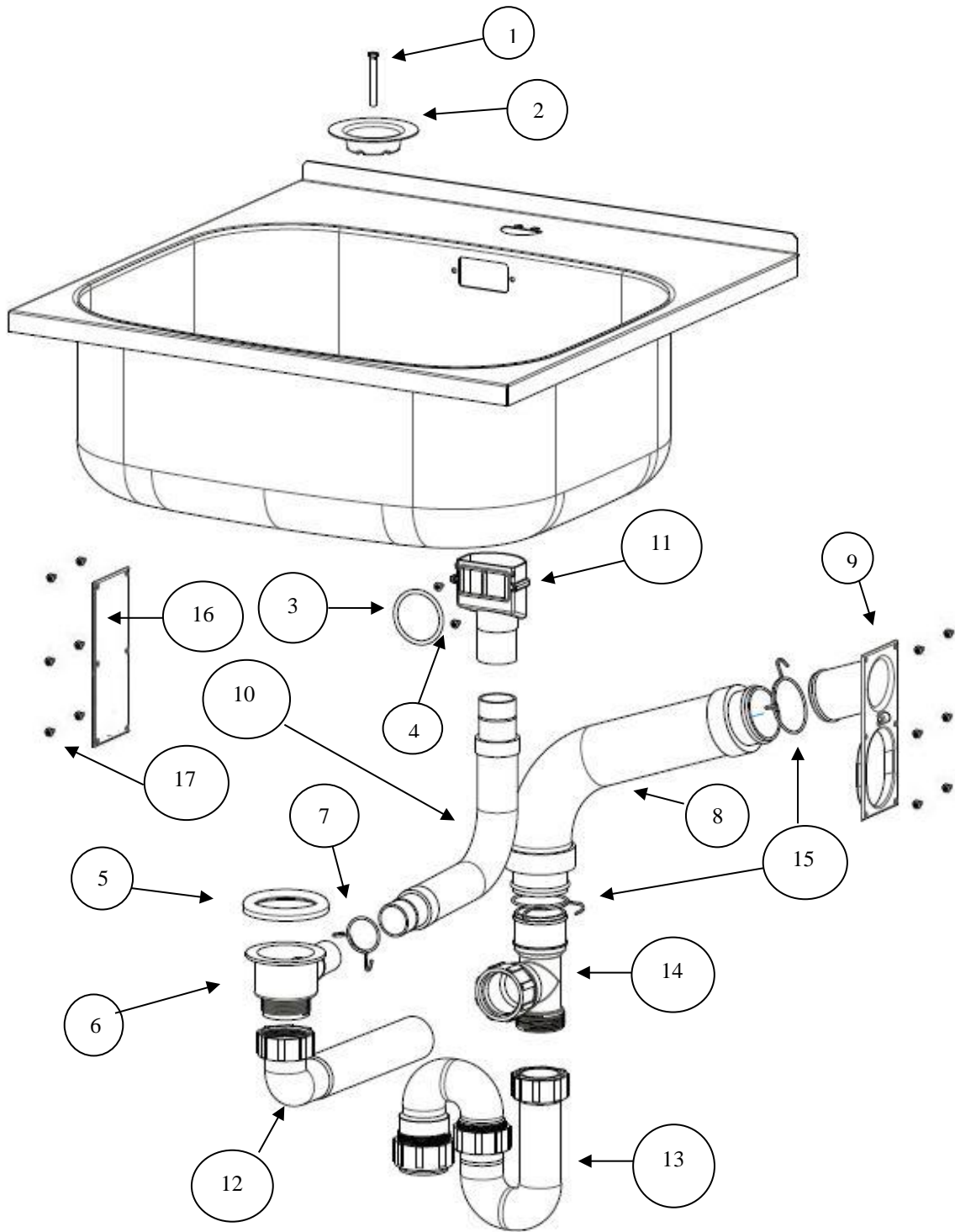


Description: **ROBINHOOD SUPERTUB DOUBLE DRAWER**
Model Number: **ST7001**



Model pictured: **ST7001**

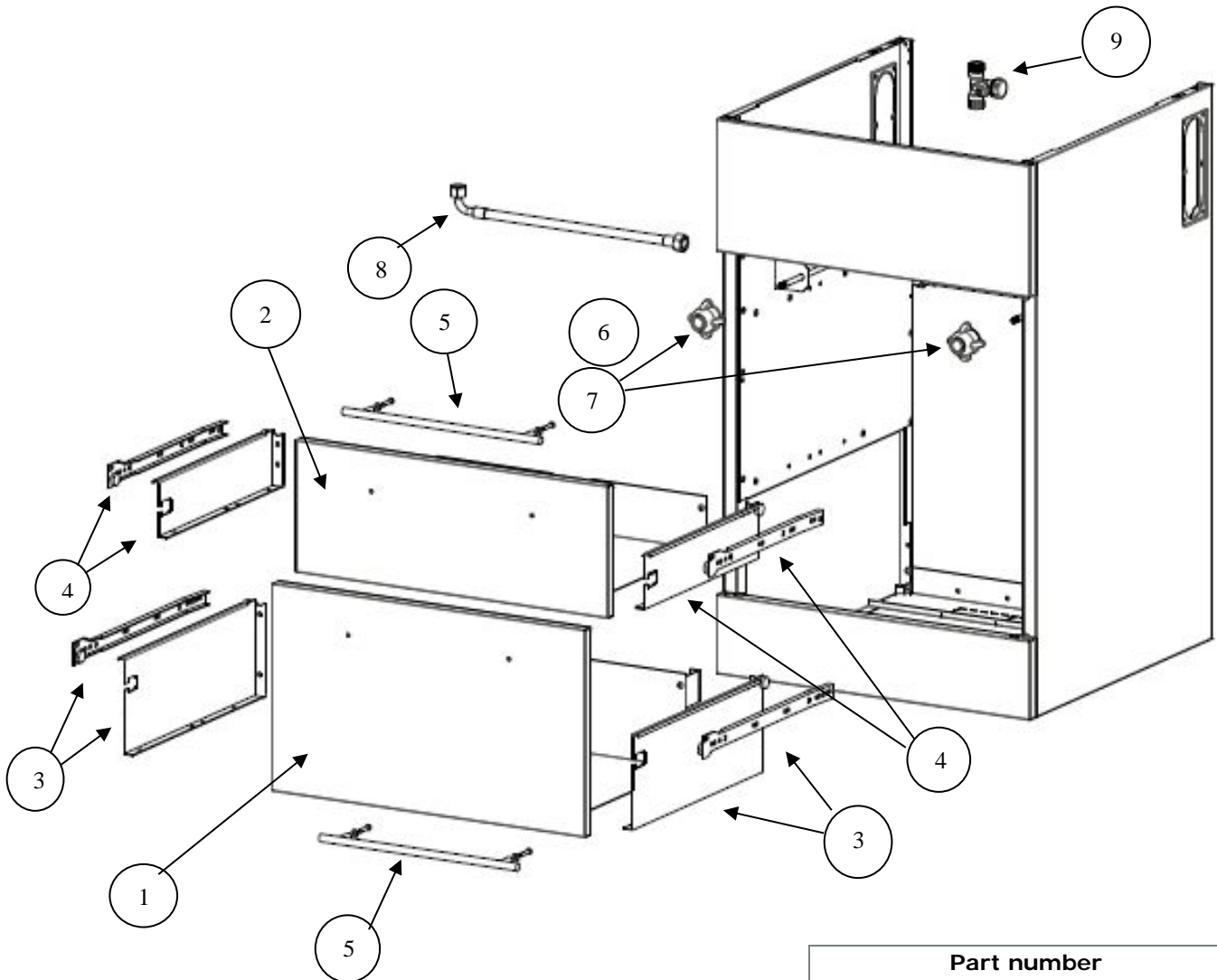
Exploded Tub Assembly



Exploded Tub Assembly Cont

		Part number
Item	Description	ST 7001
1	Waste grill screw	752230
2	Waste grill	752214SS
3	Overflow O ring	752220
4	Overflow screw (1 off)	999074
5	Waste seal	752209
6	Waste body	752205
7	Overflow hose clip	752229
8	Washing machine waste hose	752224
9	Washing machine waste inlet	752201
10	Overflow hose	752215
11	Overflow body	752219
12	Waste elbow	752204
13	U bend complete kit	75220345
14	Waste T piece	752203
15	Washing machine waste hose clip (1 off)	752228
16	Waste inlet blanking cover	752202
17	Screw (1 off)	999054

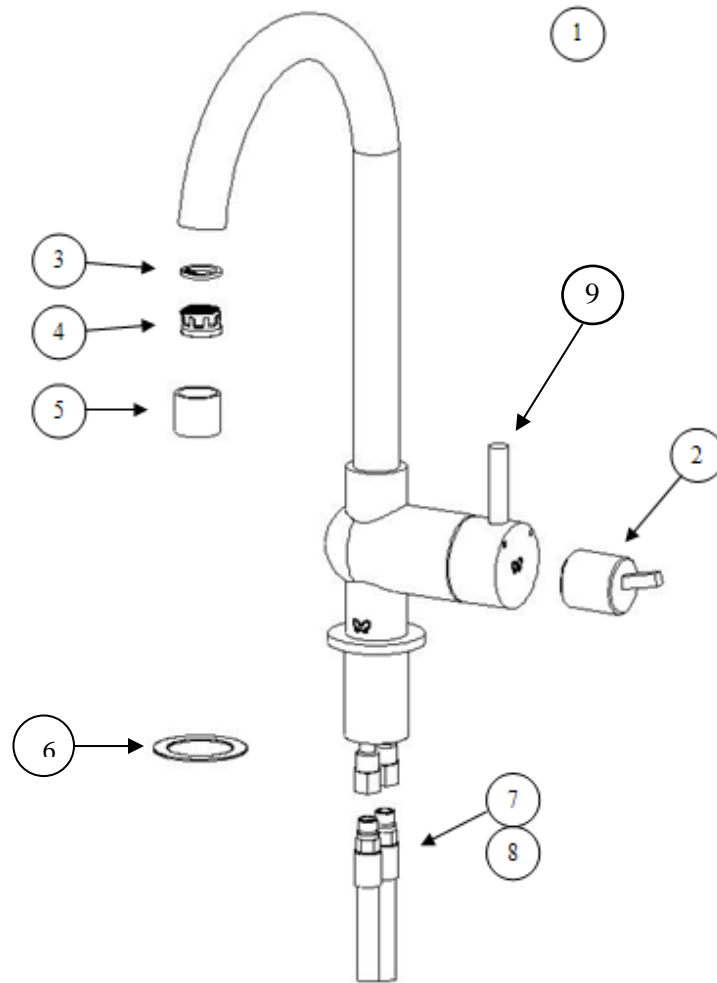
Exploded Chassis Assembly



Item	Description	Part number
1	Bottom drawer complete (less handle)	751066
2	Top drawer complete (less handle)	751067
3	Bottom drawer side/runner set (left & right hand) (2 x sides & 2 x runners)	Supplied with item 1
4	Top drawer side/runner set (left & right hand) (2 x sides & 2 x runners)	Supplied with item 2
5	Handle complete including screws and washers (1 off)	751048
6	Knob hot (red)	750909RD
7	Knob cold (blue)	750909BU
8	Flexible hose	751141
9	Three way ball valve complete (1 off) Hot	752235HT
N/S	Three way ball valve complete (1 off) Cold	752235CD
N/S	Non return valve Hot	Part of item 9
N/S	Handle screws M4 x 25 Pan Pozi	999073
N/S	Handle washer M4 x 11 flat	999010
N/S	Three way ball valve extension rod (single)	751019

N/S = Not shown

Exploded Tap Assembly



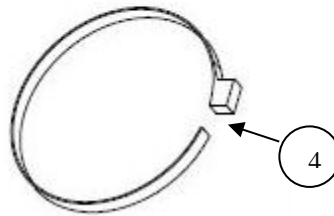
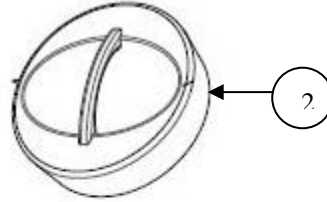
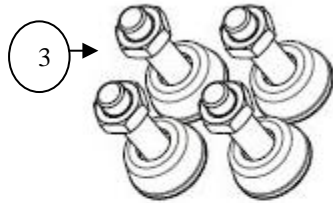
Item	Description	Part number
		ST7001
1	Tap complete including hoses and fittings	751140
2	Ceramic disc cartridge	751140C
3	Aerator O ring	Part not available
4	Aerator cartridge	Part not available
5	Aerator screw end	Part not available
6	Tap Washer Seal	751140OR
7	Flexible hose hot (red)	751140HT
8	Flexible hose cold (blue)	751140CD
9	Optional 65mm pole handle	751140XT

New Zealand

Monaco Corporation Limited
 Telephone: (09) 415 6000
 Facsimile: (09) 415 7400
 Email: enquiries@robinhood.co.nz
 www.robinhood.co.nz

Installation Kit

1



		Part number
1	Installation kit complete (as shown above)	752043
2	Plug	750636
3	Adjustable foot assembly (1 off)	750920
4	Cable tie	Available from Hardware Stores

Australia

Shiro Australia Pty Limited
(ABN 28 002 386 129)
Telephone: 1800 648 556
Facsimile: 1800 628 577
Email: enquiries@robinhood.com.au