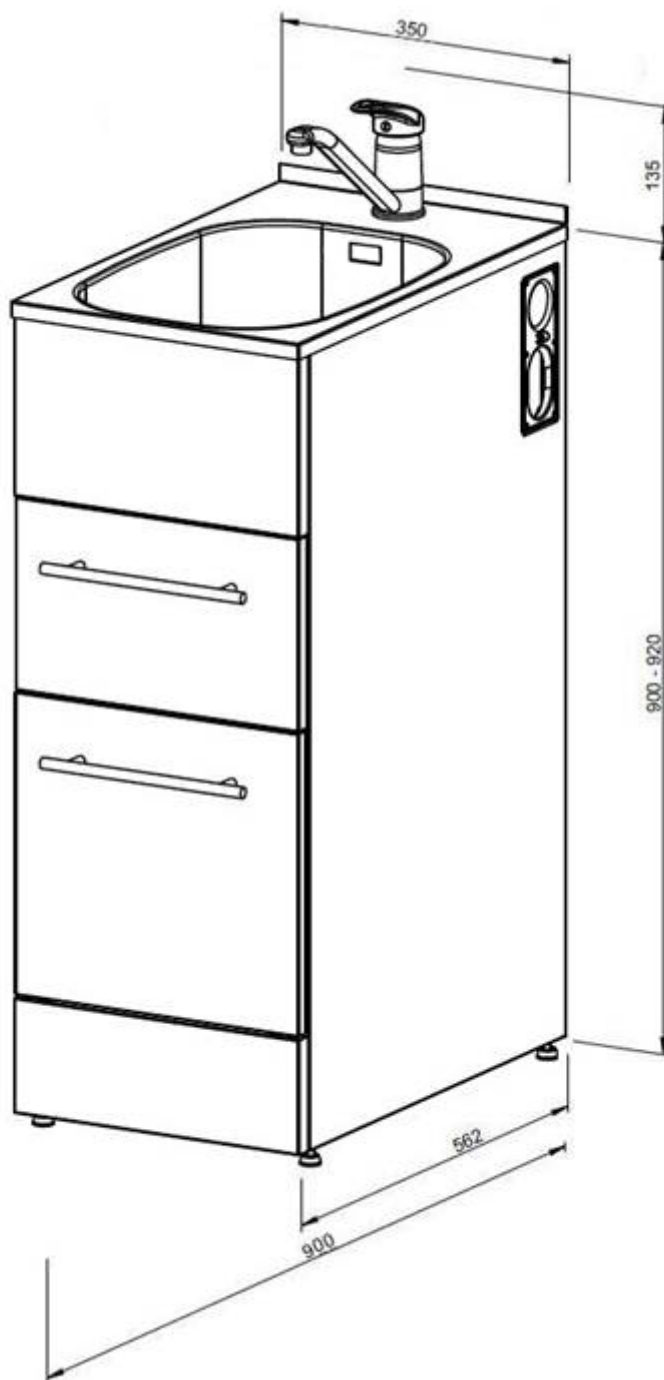
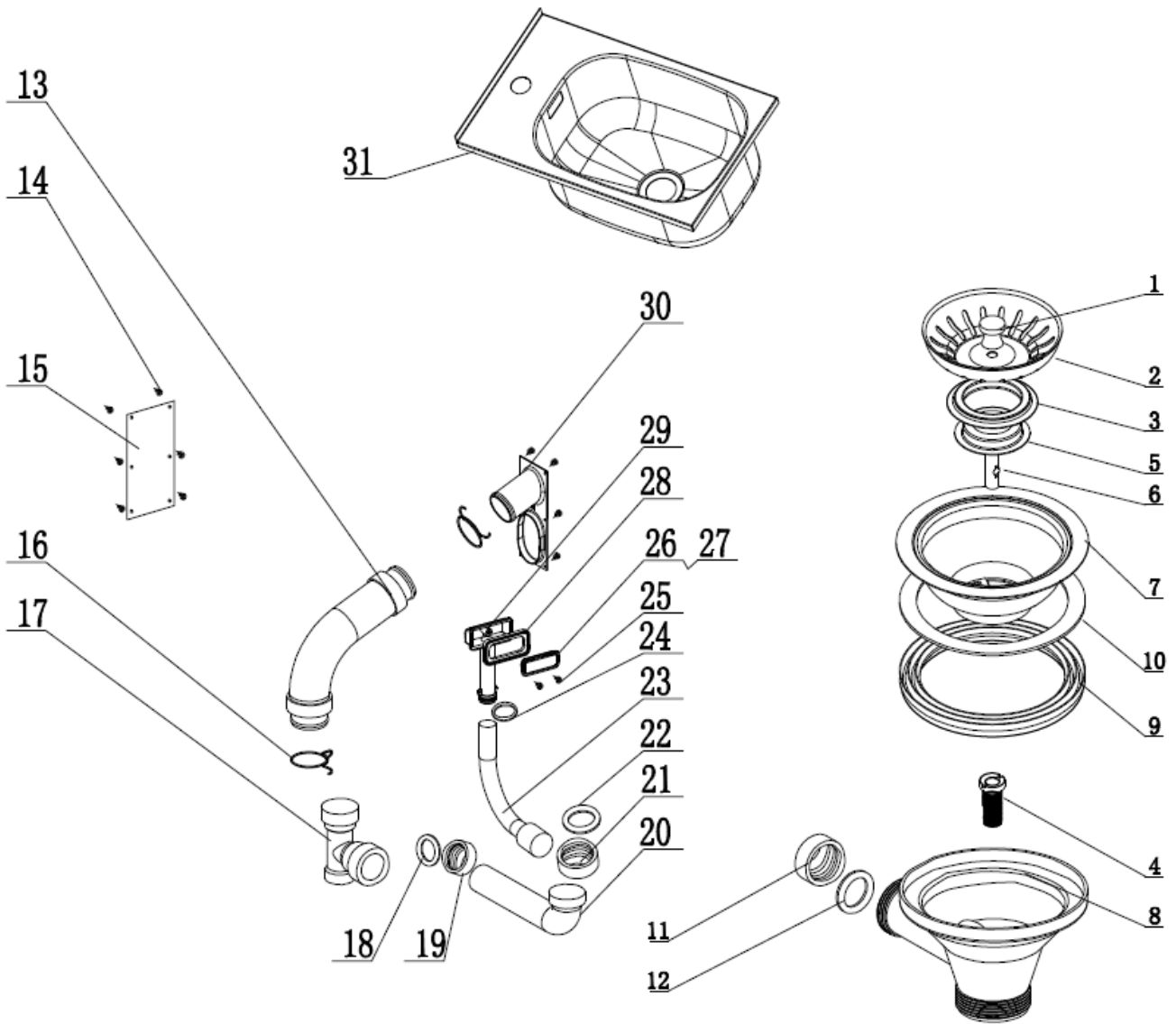


Description: **ROBINHOOD SLIM SUPERTUB DOUBLE DRAWER**  
Model Number: **ST7002SLIM**



Model pictured: **ST7002SLIM**

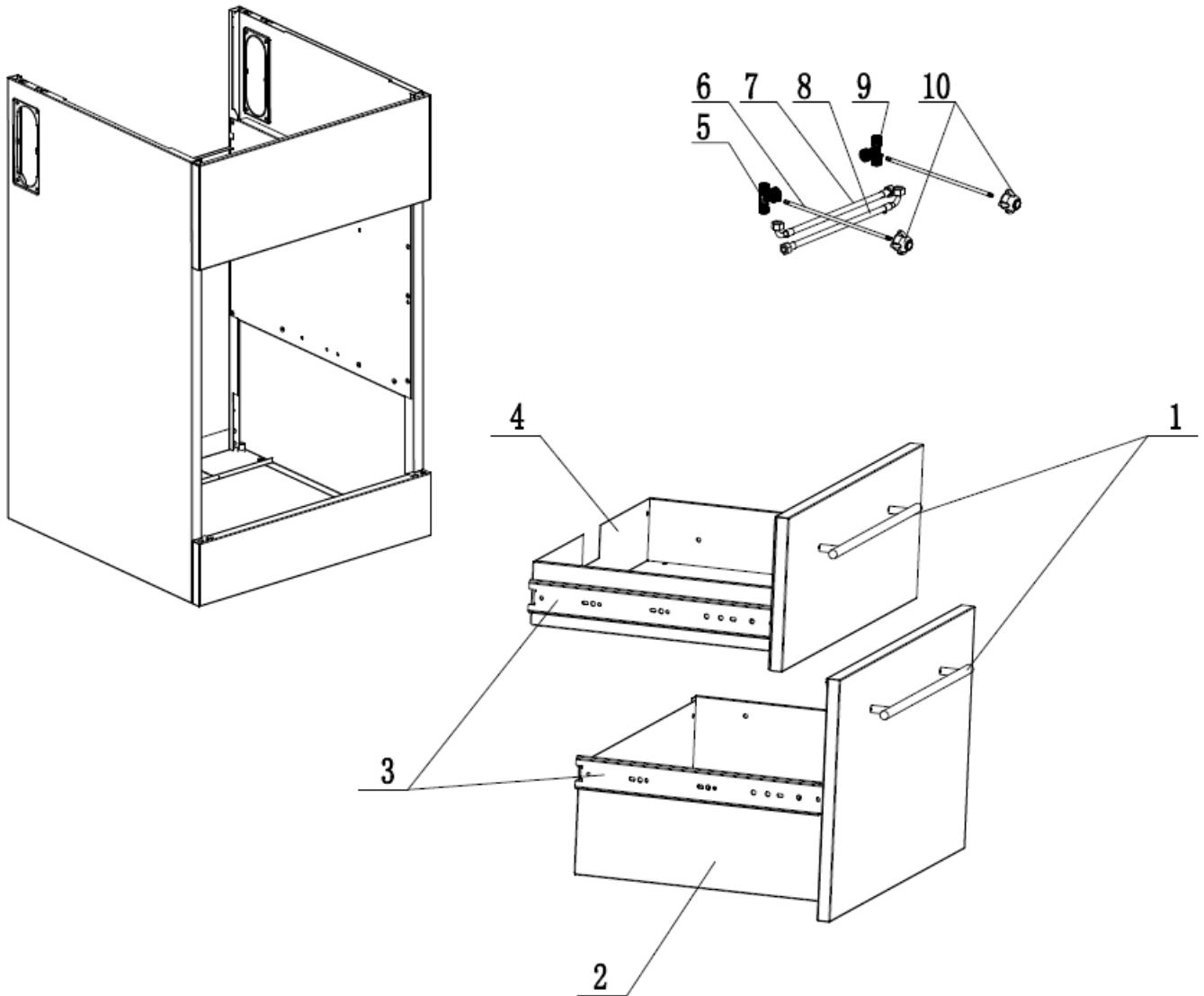
# Exploded Tub Assembly



## Exploded Tub Assembly Continued

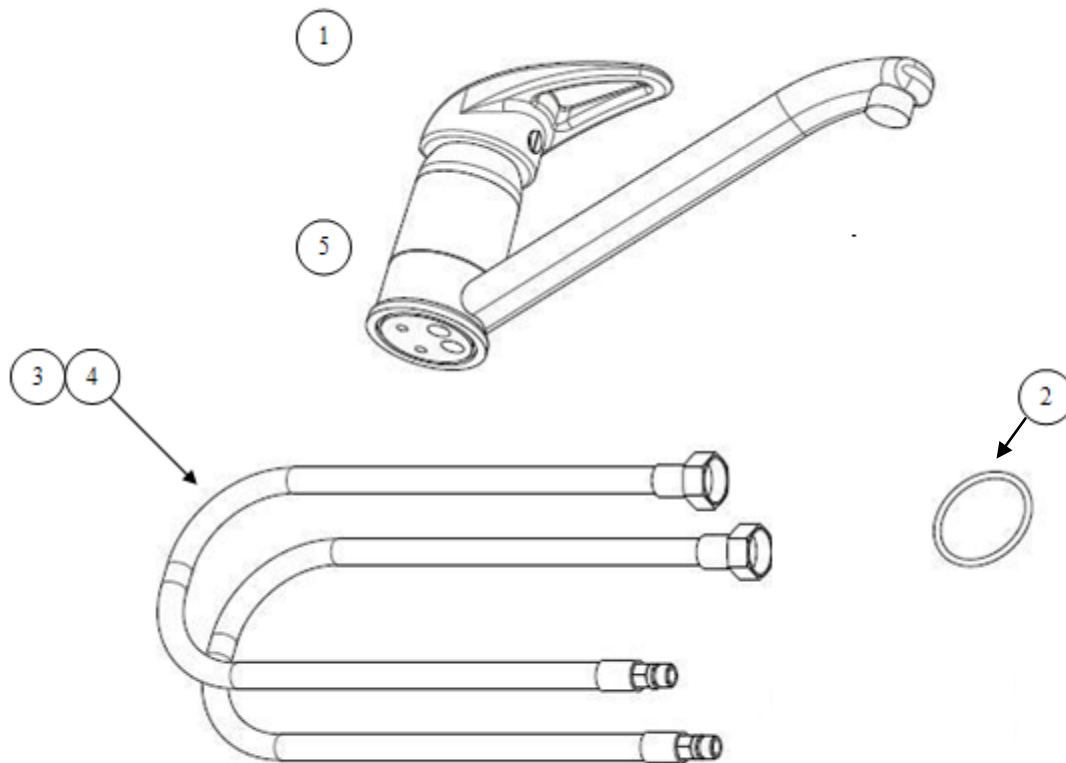
		Part number
Item	Description	ST7002SLIM
1	Handle	n/a
2	Waste grill	n/a
3	Waste grill seal	n/a
5	Washer	n/a
6	Pulling bar	n/a
	Supertub 2 and STX waste basket assembly (Item1,2,3,5&6)	C090000008
4	Screw nut	Y100300011
7	Stainless steel body	Y110101102
8	Plastic body (include brass screw)	Y110101011
9	Seal of body (thick)	Y112300002
10	Seal of body (thin)	Y112300001
11	Screw nut	Y100400011
12	Rubber seal	Y112300015
13	Hose II	Y112002007
14	Screw	999054
15	Waster inlet cover	752202
16	Hose WMC clip	752228
17	3 way connection tube	752203
18	Taper waste seal	Y112300014
19	Tube nut II	Y100400004
20	Pipe	752204
21	Tube nut I	Y100400003
22	Waste seal	Y112300013
23	Overflow hose	Y112001160
24	O ring	Y112300550
25	Cross screw	Y100199030
26	Overflow decorated cover	Y119900320
27	Overflow base	Y119900069
28	Overflow seal	Y112300125
29	Overflow connection	Y112002059
30	Waste inlet	752201
31	1089B Sink	n/a

## Exploded Cabinet Assembly



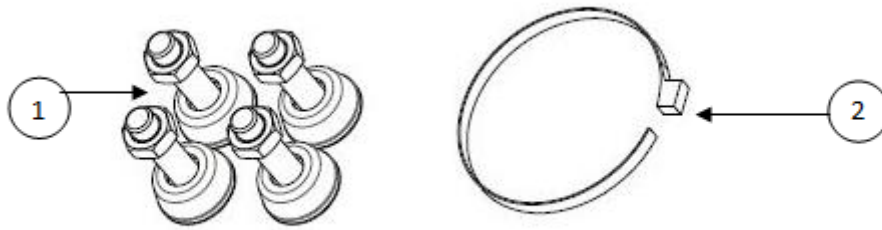
		Part number
Item	Description	ST7002SLIM
1	Handle	751010
2	Bottom drawer assembly	C990000040
3	Runner	Y119900316
4	Top drawer assembly	C990000041
5	Three way ball valve HT complete part	752235HT
6	BALL VALVE 3 WAY EXT HDL	751019
7	HOSE FLEXI - B	752098 (red+blue)
8	HOSE FLEXI - R	
9	Three way ball valve CD complete part	752235CD
10	Knob assembly red/blue	750909RD/750909BU or 750909pack

## Exploded Tap Assembly



Item	Description	Part number
		ST7002SLIM
1	Tap complete including hoses and fittings	751193
2	Tap Seal Washer	751193OR
3	Flexible hose hot (red)	751193HT
4	Flexible hose cold (blue)	751193CD
5	Cartridge only – Not Shown	751193C

## Installation Kit



Item	Description	Part number
1	Supertub food assembly	Y119900300
2	Cable tie	F030200226

### Australia

Shiro Australia Pty Limited  
(ABN 28 002 386 129)  
Telephone: 1800 648 556  
Facsimile: 1800 628 577  
Email: [enquiries@robinhood.com.au](mailto:enquiries@robinhood.com.au)  
[www.robinhood.com.au](http://www.robinhood.com.au)