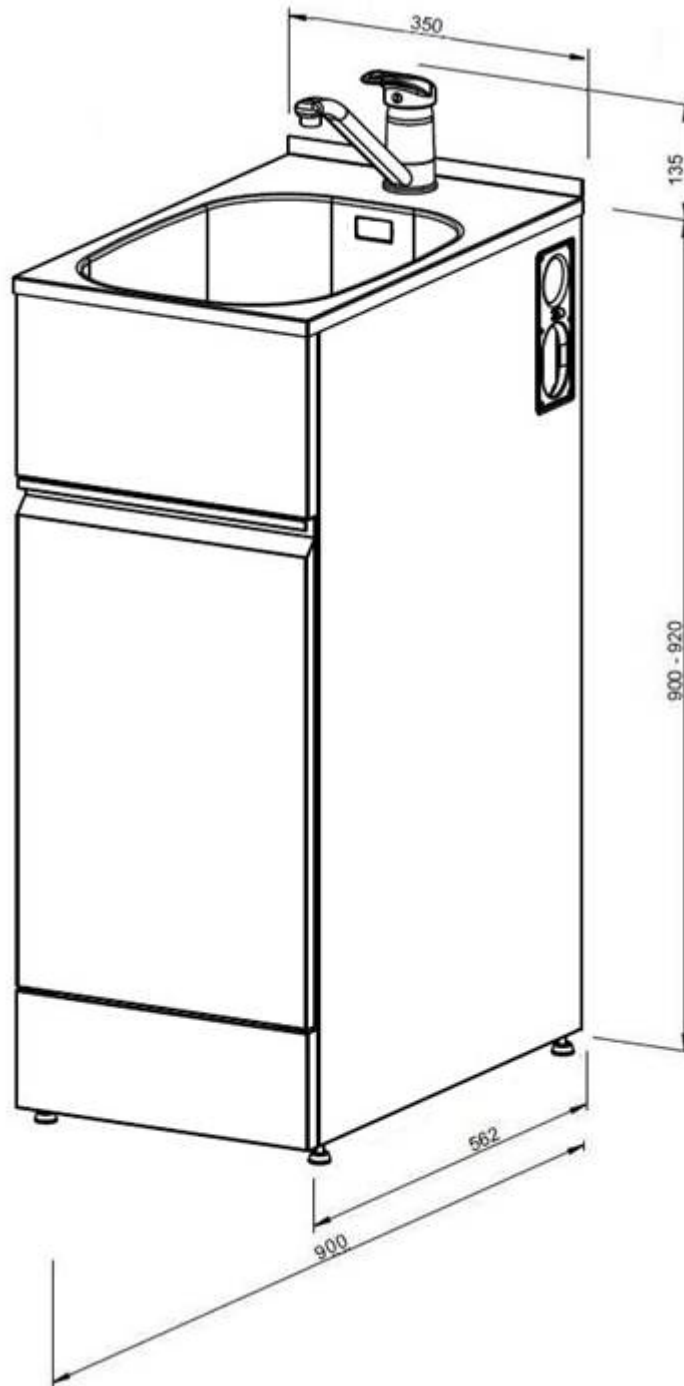
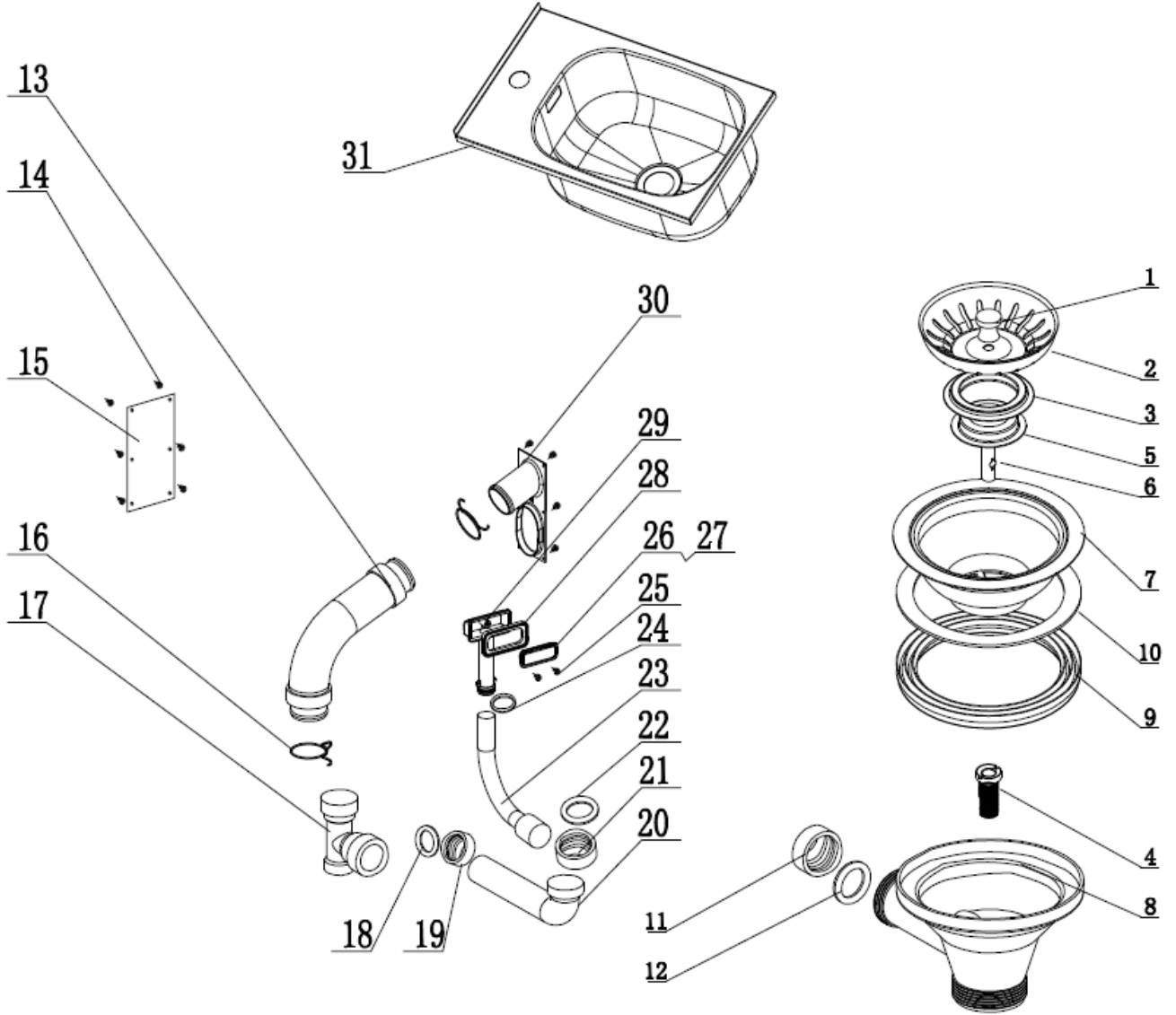


Description: **ROBINHOOD SLIM SUPERTUB SINGLE DRAWER, SINGLE LEVER MIXER**
Model Number: **ST6002SLIM**



Model pictured: **ST6002SLIM**

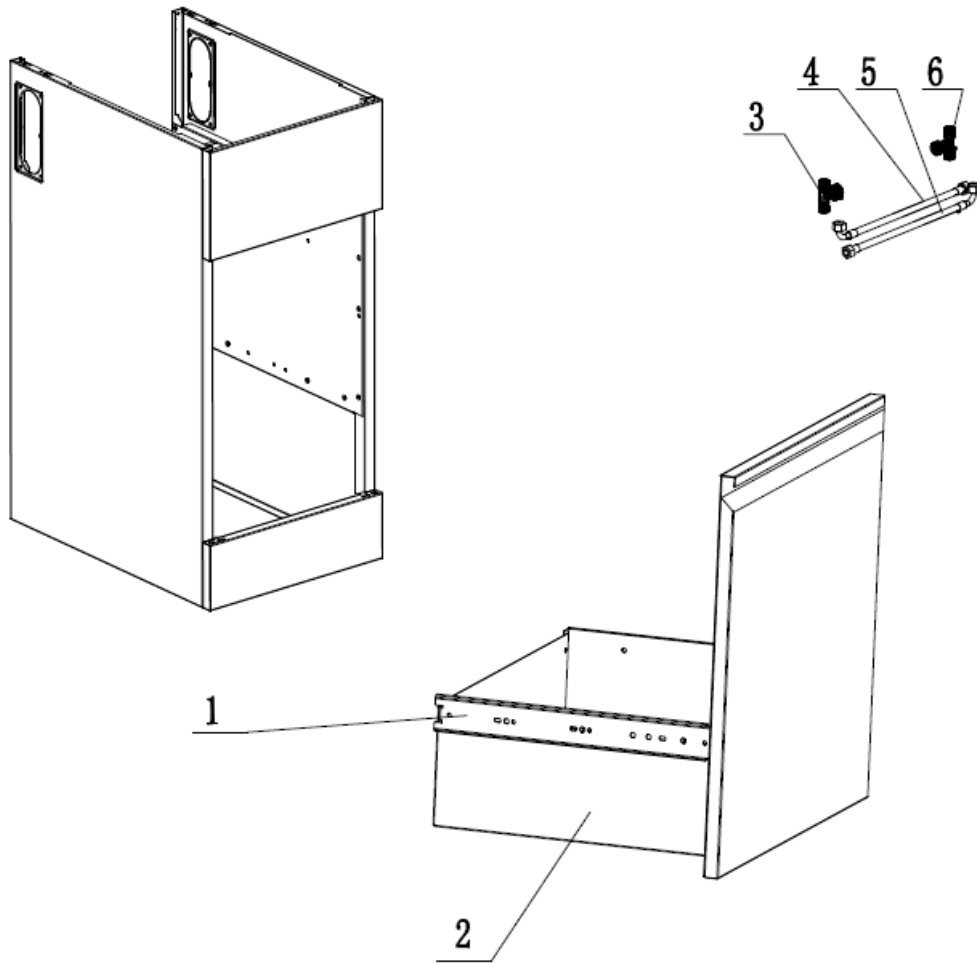
Exploded Tub Assembly



Exploded Tub Assembly Continued

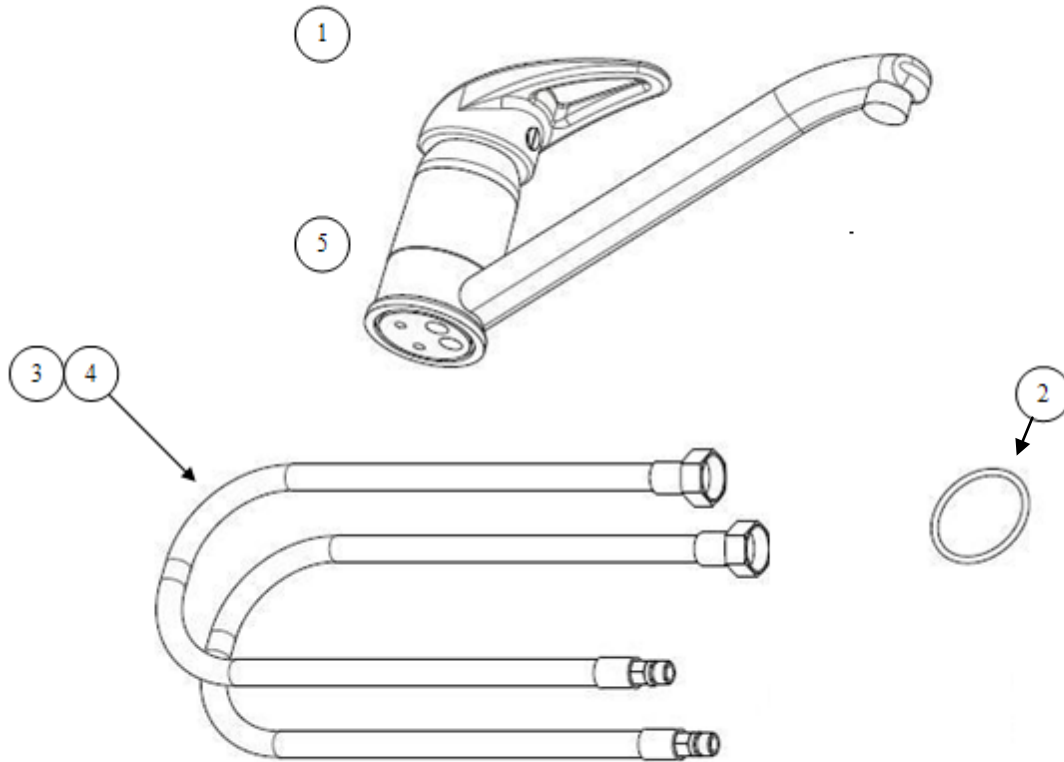
| | | Part number |
|------|--|-------------|
| Item | Description | ST6002SLIM |
| 1 | Handle | n/a |
| 2 | Waste grill | n/a |
| 3 | Waste grill seal | n/a |
| 5 | Washer | n/a |
| 6 | Pulling bar | n/a |
| | Supertub 2 and STX waste basket assembly (Item1,2,3,5&6) | C090000008 |
| 4 | Screw nut | Y100300011 |
| 7 | Stainless steel body | Y110101102 |
| 8 | Plastic body (include brass screw) | Y110101011 |
| 9 | Seal of body (thick) | Y112300002 |
| 10 | Seal of body (thin) | Y112300001 |
| 11 | Screw nut | Y100400011 |
| 12 | Rubber seal | Y112300015 |
| 13 | Hose II | Y112002007 |
| 14 | Screw | 999054 |
| 15 | Waster inlet cover | 752202 |
| 16 | Hose WMC clip | 752228 |
| 17 | 3 way connection tube | 752203 |
| 18 | Taper waste seal | Y112300014 |
| 19 | Tube nut II | Y100400004 |
| 20 | Pipe | 752204 |
| 21 | Tube nut I | Y100400003 |
| 22 | Waste seal | Y112300013 |
| 23 | Overflow hose | Y112001160 |
| 24 | O ring | Y112300550 |
| 25 | Cross screw | Y100199030 |
| 26 | Overflow decorated cover | Y119900320 |
| 27 | Overflow base | Y119900069 |
| 28 | Overflow seal | Y112300125 |
| 29 | Overflow connection | Y112002059 |
| 30 | Waste inlet | 752201 |
| 31 | 1089B Sink | n/a |

Exploded Cabinet Assembly



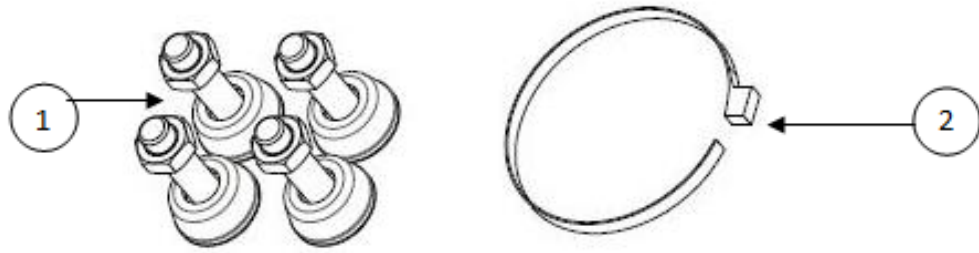
| Item | Description | Part number |
|------------------|---------------------------------------|------------------|
| | | ST6002SLIM |
| 1 | Runner | Y119900316 |
| 2 | Drawer assembly | C990000038 |
| Not shown | Wire basket | ST6SLIM-LAU-BAS |
| 3 | Three way ball valve HT complete part | 752235HT |
| 4 | Flexible hose blue | 752098(red+blue) |
| 5 | Flexible hose red | |
| 6 | Three way ball valve complete part | 752235CD |

Exploded Tap Assembly



| Item | Description | Part number |
|------|---|-------------|
| | | ST6002SLIM |
| 1 | Tap complete including hoses and fittings | 751193 |
| 2 | Tap Seal Washer | 751193OR |
| 3 | Flexible hose hot (red) | 751193HT |
| 4 | Flexible hose cold (blue) | 751193CD |
| 5 | Cartridge only (not shown) | 751193C |

Installation Kit



| Item | Description | Part number |
|------|------------------------|-------------|
| 1 | Supertub food assembly | Y119900300 |
| 2 | Cable tie | F030200226 |

Australia

Shiro Australia Pty Limited
(ABN 28 002 386 129)
Telephone: 1800 648 556
Facsimile: 1800 628 577
Email: enquiries@robinhood.com.au
www.robinhood.com.au