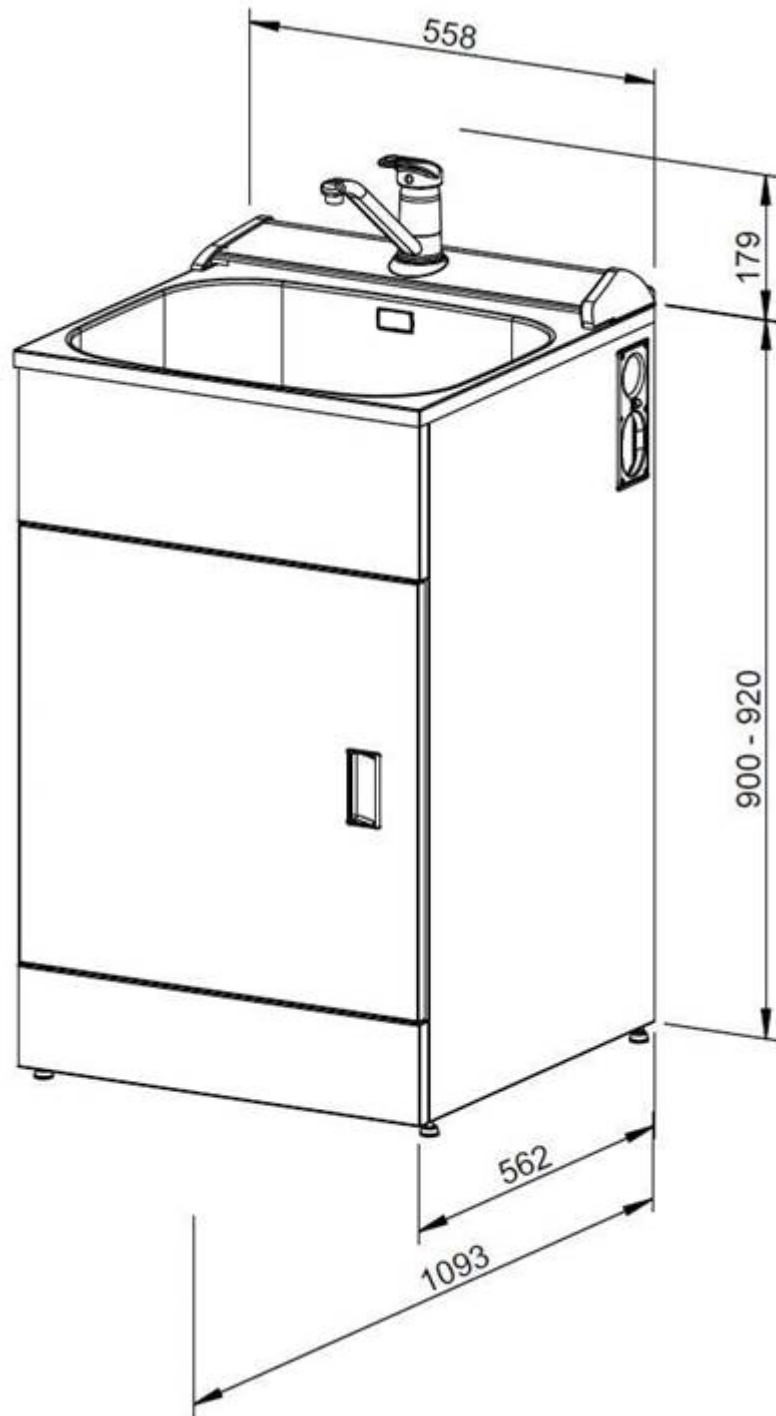
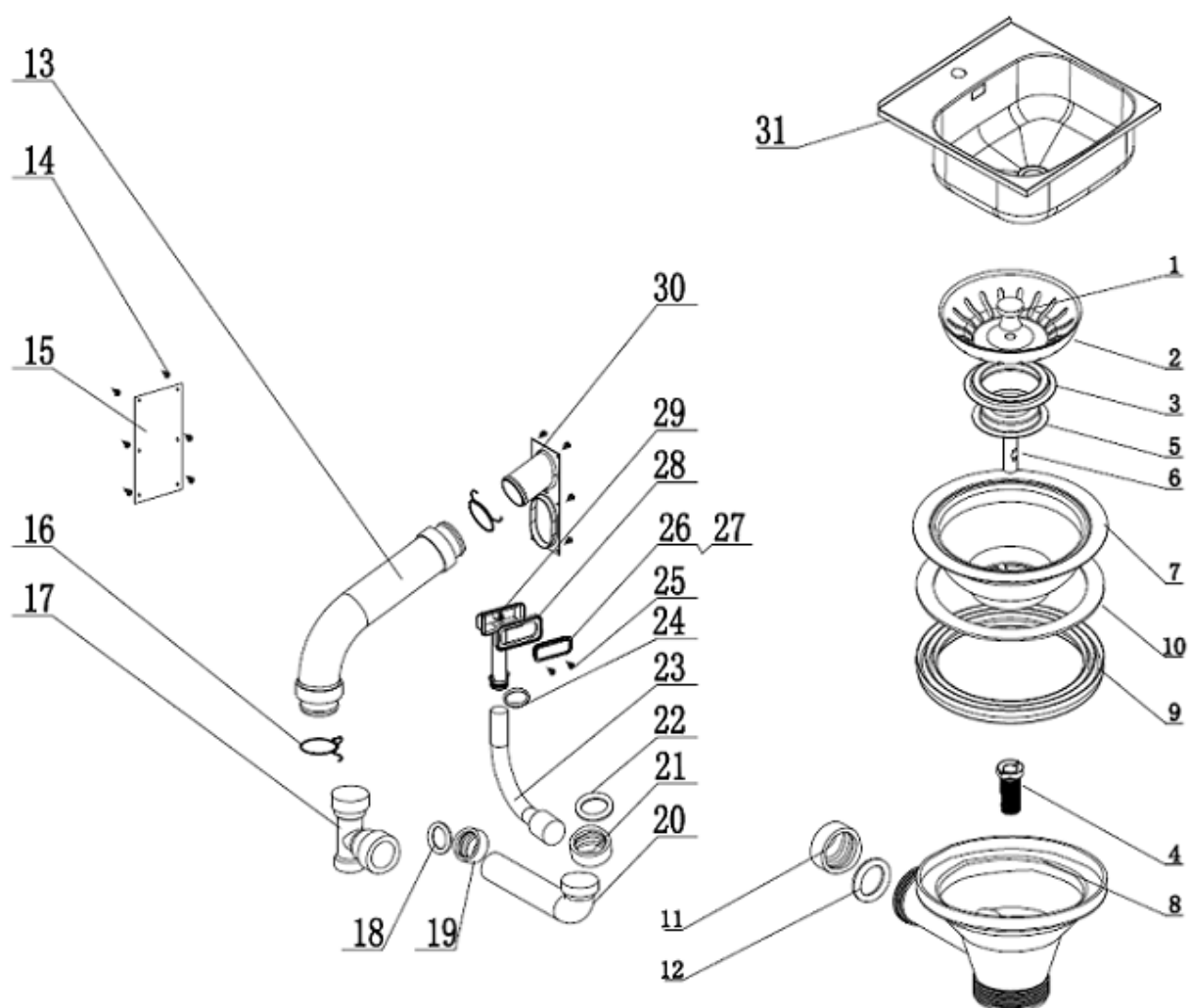


Description: **ROBINHOOD SUPERTUB CONSOLE, SINGLE LEVER MIXER**
Model Number: **ST3602**



Model pictured: **ST3602**

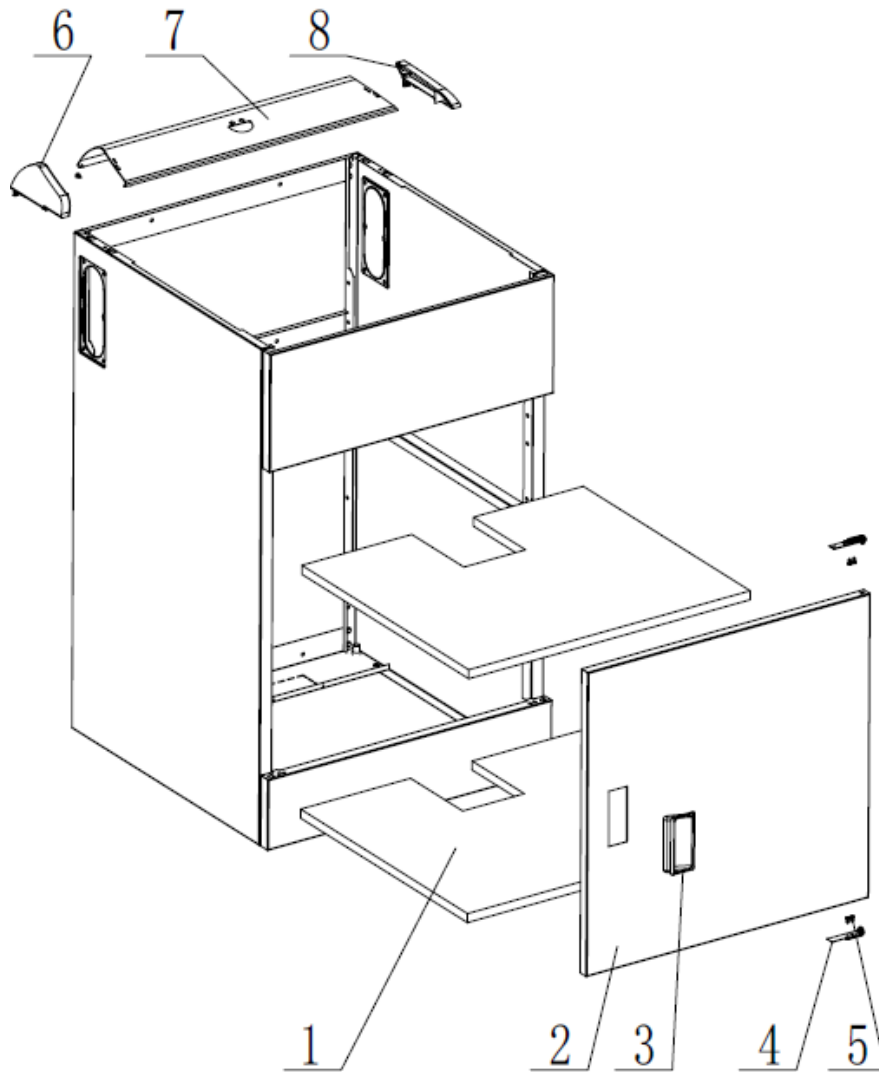
Exploded Tub Assembly



Exploded Tub Assembly Continued

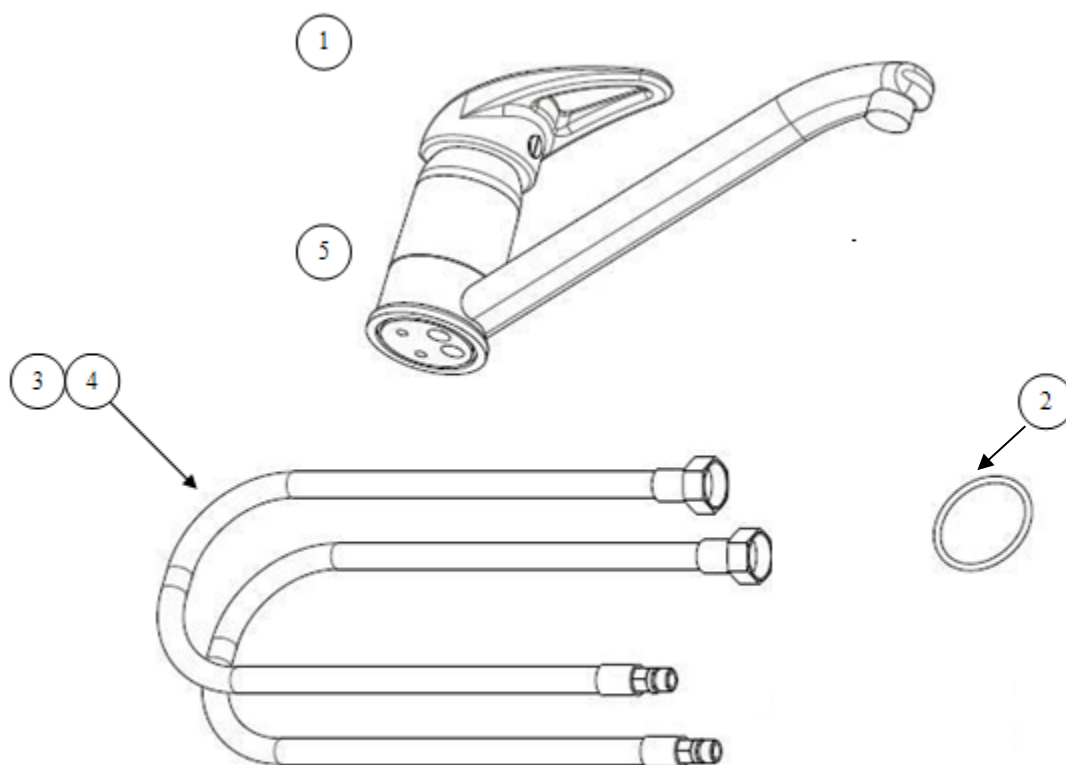
		Part number
Item	Description	ST3602
1	Handle	n/a
2	Waste grill	n/a
3	Waste grill seal	n/a
5	Washer	n/a
6	Pulling bar	n/a
	Supertub 2 and STX waste basket assembly (Item1,2,3,5&6)	C090000008
4	Screw nut	Y100300011
7	Stainless steel body	Y110101102
8	Plastic body (include brass screw)	Y110101011
9	Seal of body (thick)	Y112300002
10	Seal of body (thin)	Y112300001
11	Screw nut	Y100400011
12	Rubber seal	Y112300015
13	Hose III	752224
14	Screw	999054
15	Waster inlet cover	752202
16	Hose WMC clip	752228
17	3 way connection tube	752203
18	Taper waste seal	Y112300014
19	Tube nut II	Y100400004
20	Pipe	752204
21	Tube nut I	Y100400003
22	Waste seal	Y112300013
23	Overflow hose	Y112001160
24	O ring	Y112300550
25	Cross screw	Y100199030
26	Overflow decorated cover	Y119900320
27	Overflow base	Y119900069
28	Overflow seal	Y112300125
29	Overflow connection	Y112002059
30	Waste inlet	752201
31	1088B Sink	n/a

Exploded Cabinet and Console Assembly



		Part number
Item	Description	ST3602
1	Shelf/Floor *2	C150099002
2	Door	752050
3	Handle	750016WH
4	Plastic hinge	752054
5	Cross nut	999163
6	Console side (LH)	750813
7	Console panel	751042WH
8	Console side (RH)	752814

Exploded Tap Assembly

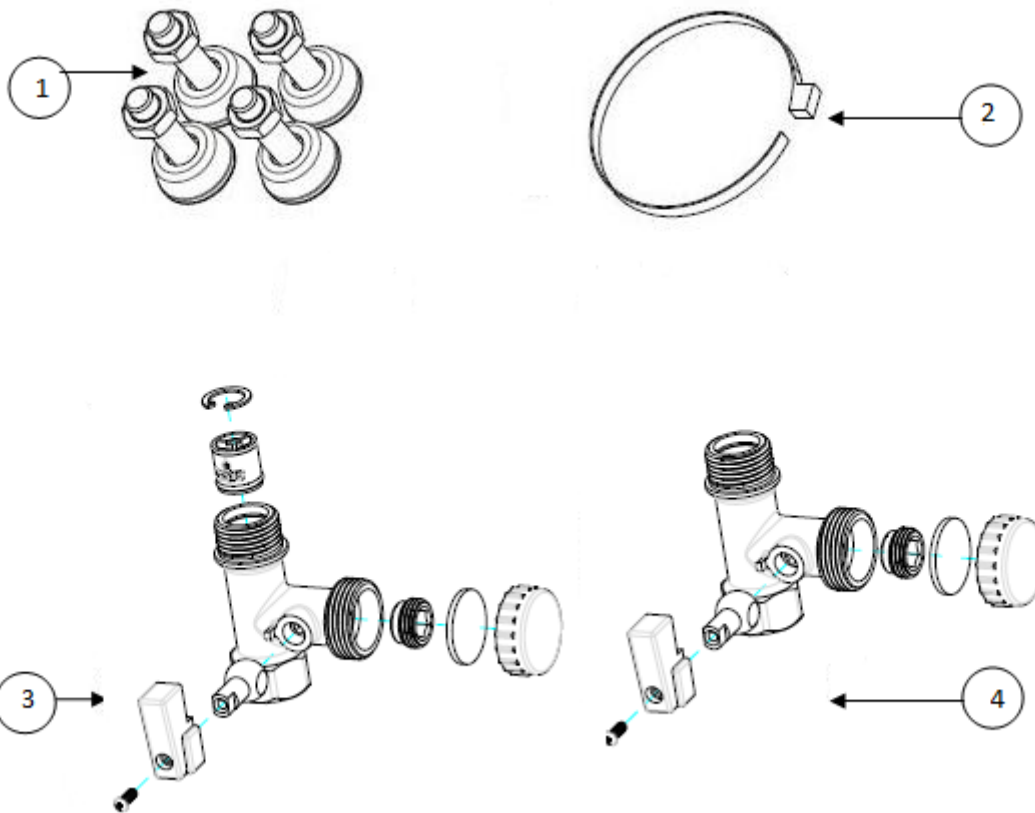


Item	Description	Part number
		ST3602
1	Tap complete including hoses and fittings	751193
2	Tap Seal Washer	751193OR
3	Flexible hose hot (red)	751193HT
4	Flexible hose cold (blue)	751193CD
5	Cartridge only (Not shown)	751193C

New Zealand

Monaco Corporation Limited
 Telephone: (09) 415 6000
 Facsimile: (09) 415 7400
 Email: enquiries@robinhood.co.nz
www.robinhood.co.nz

Installation Kit



		Part number
Item	Description	ST3602
1	Supertub foot assembly	Y119900300
2	Cable tie	n/a
3	Three way ball valve HT complete part	752234HT
4	Three way ball valve CD complete part	752234CD

Australia

Shiro Australia Pty Limited
 (ABN 28 002 386 129)
 Telephone: 1800 648 556
 Facsimile: 1800 628 577
 Email: enquiries@robinhood.com.au
www.robinhood.com.au