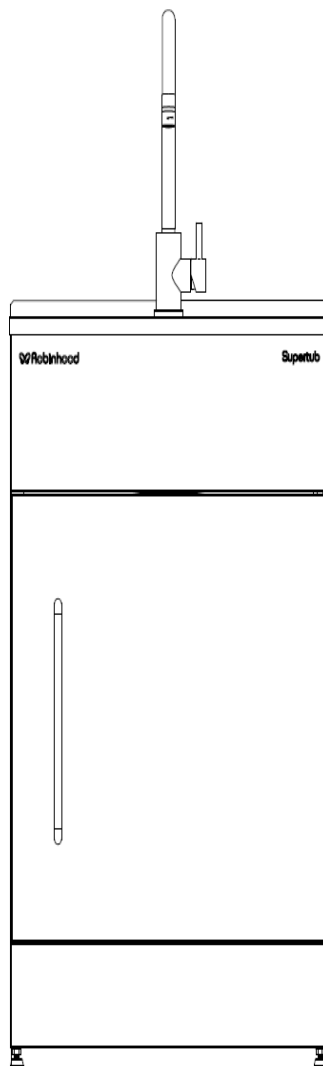


Description: **ROBINHOOD SUPERTUB SLIM FOR KAINGA ORA, S/S GOOSENECK TAP**

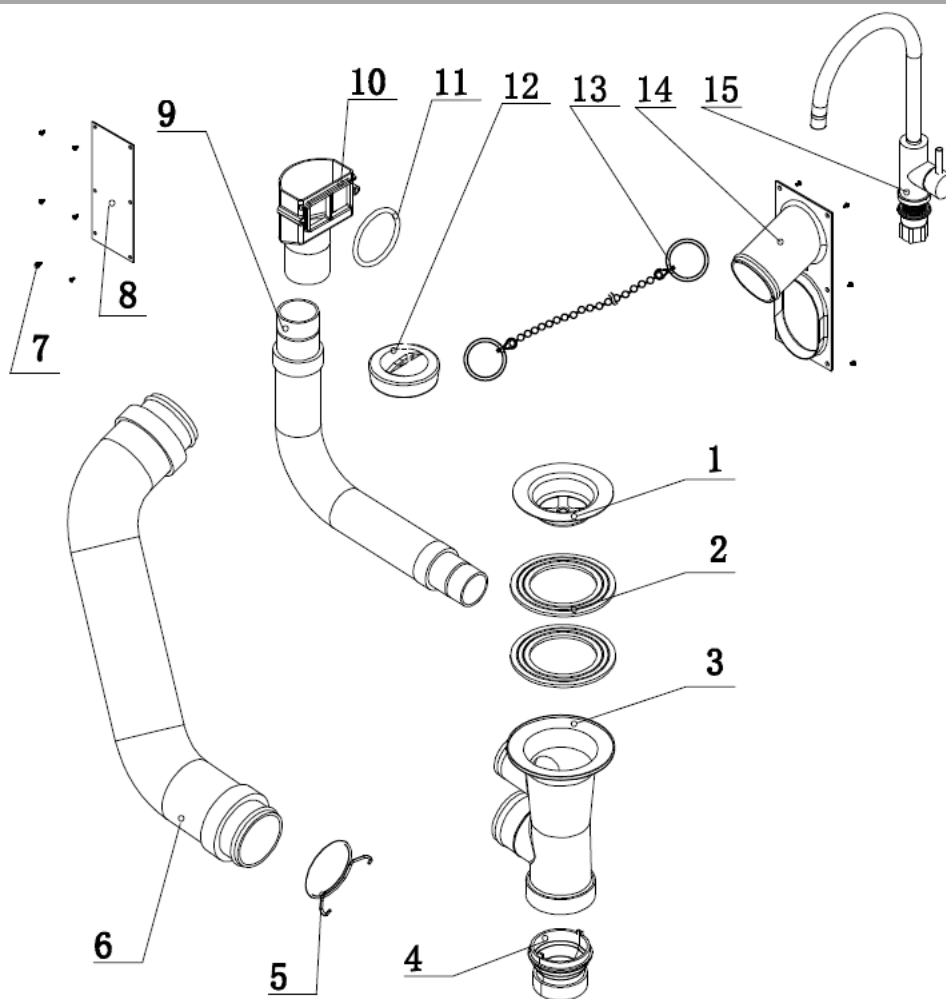
Model Number: **STSLIMTAPKOH**



Model pictured: **STSLIMTAPKOH**

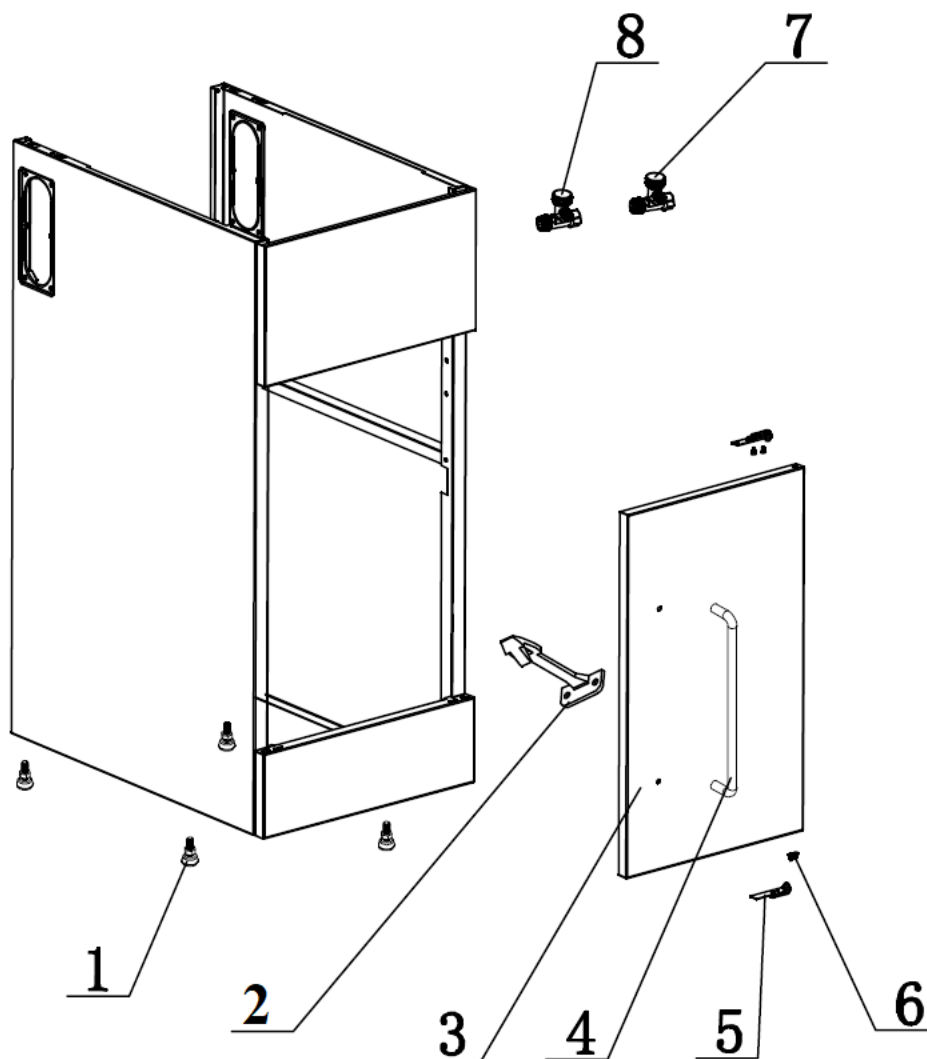
*\*Actual unit may vary from image shown*

## Exploded View & Parts List



Item	Description	Part Number
1	Waste grill 50mm	750633SS
2	Waste seal	752218
3	Waste body 50mm	752216
4	Waste adaptor 50/40mm	750638
5	Hose clip	752228
6	Waste hose 460	752226
7	Screws (pack of 6)	999054
8	Waste inlet cover	752202
9	Waste overflow	752215
10	Series 1 overflow	752219
11	O ring	752220
12	Waste plug black	750636
13	Plug chain	Y119900044
14	Waste inlet	752201
15	Robinhood Stainless Steel gooseneck tap	STTAP7150A

## Exploded View & Parts List Continued



Item	Description	Part Number
1	Supertub foot assembly (Bag of 4)	Y119900300
2	Safety latch with screws	C150099001
3	Slim door white for STSLIMTAPKOHHC	C150099005
4	D shape handle with screws	Y119900043
5+6	Plastic hinge with screws	752054
7	Three way valve hot (for door models)	752234HT
8	Three way valve cold (for door models)	752234CD

### New Zealand

Monaco Corporation Ltd  
 Telephone: (09) 415 6000  
 Facsimile: (09) 415 7400  
 Email: enquiries@robinhood.co.nz  
 www.robinhood.co.nz

### Australia

Shriro Australia Pty Ltd  
 (ABN 28 002 386 129)  
 Telephone: 1800 648 556  
 Facsimile: 1800 628 577  
 Email: enquiries@robinhood.com.au  
 www.robinhood.com.au