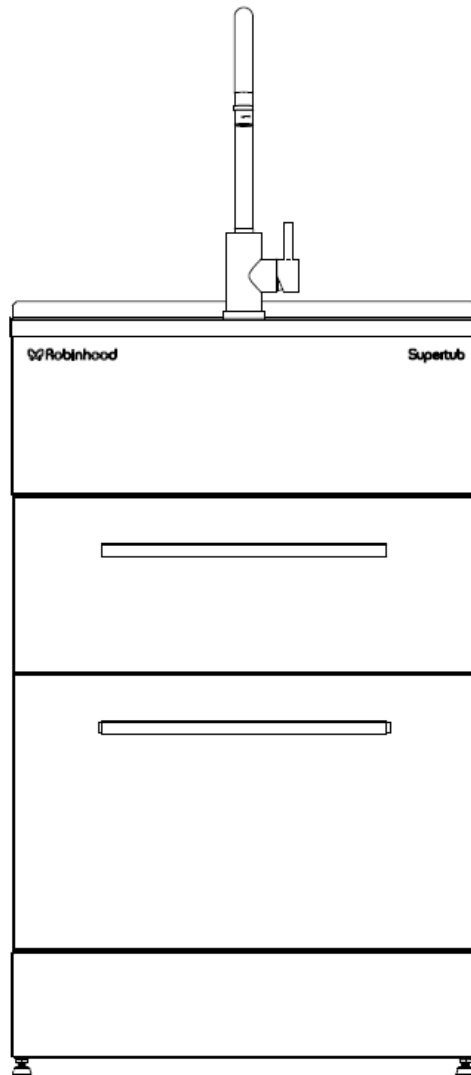


Description: **ROBINHOOD SUPERTUB SERIES 3 DOUBLE DRAWER, S/S GOOSENECK TAP**

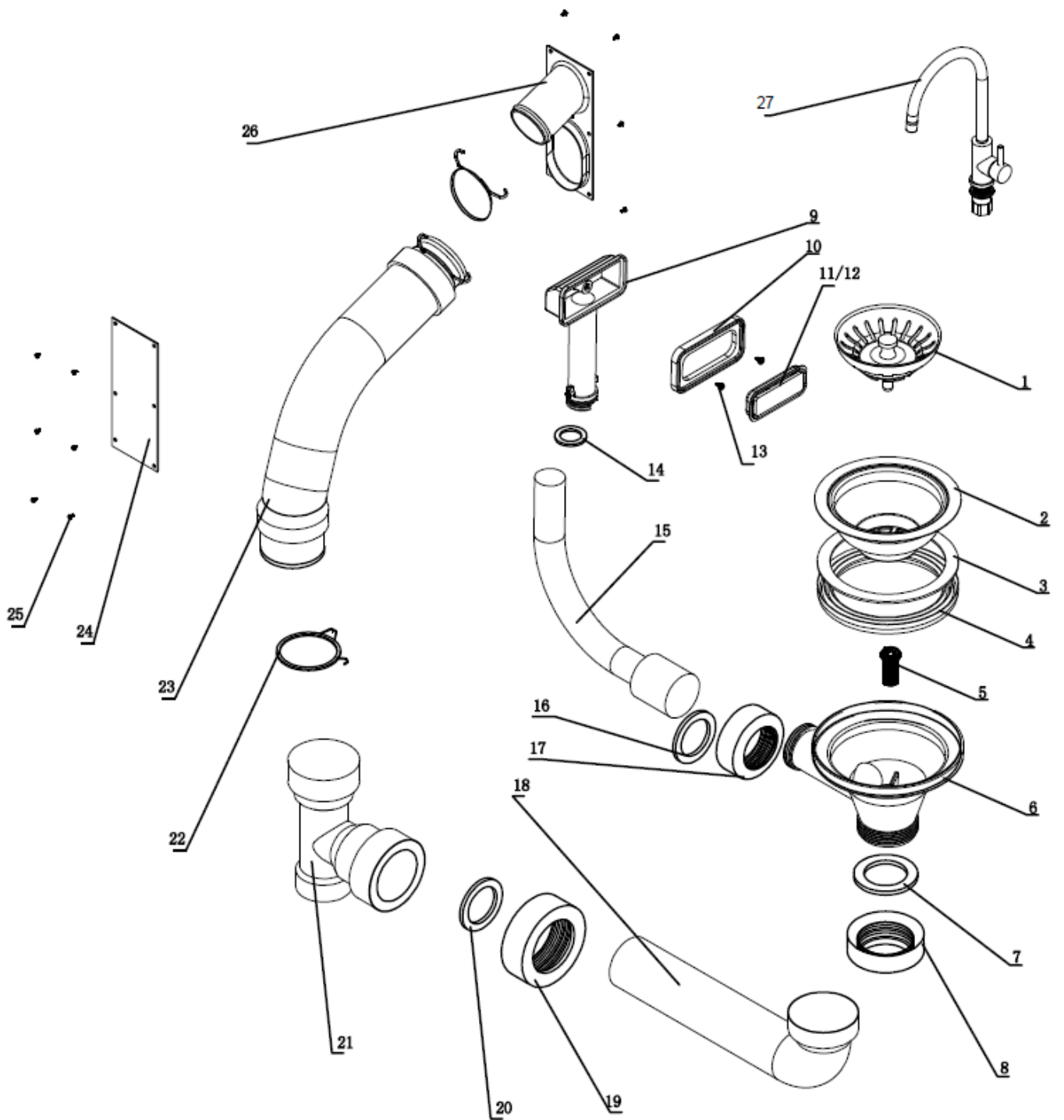
Model Number: **ST7003**



Model pictured: **ST7003**

*\*Actual unit may vary from image shown*

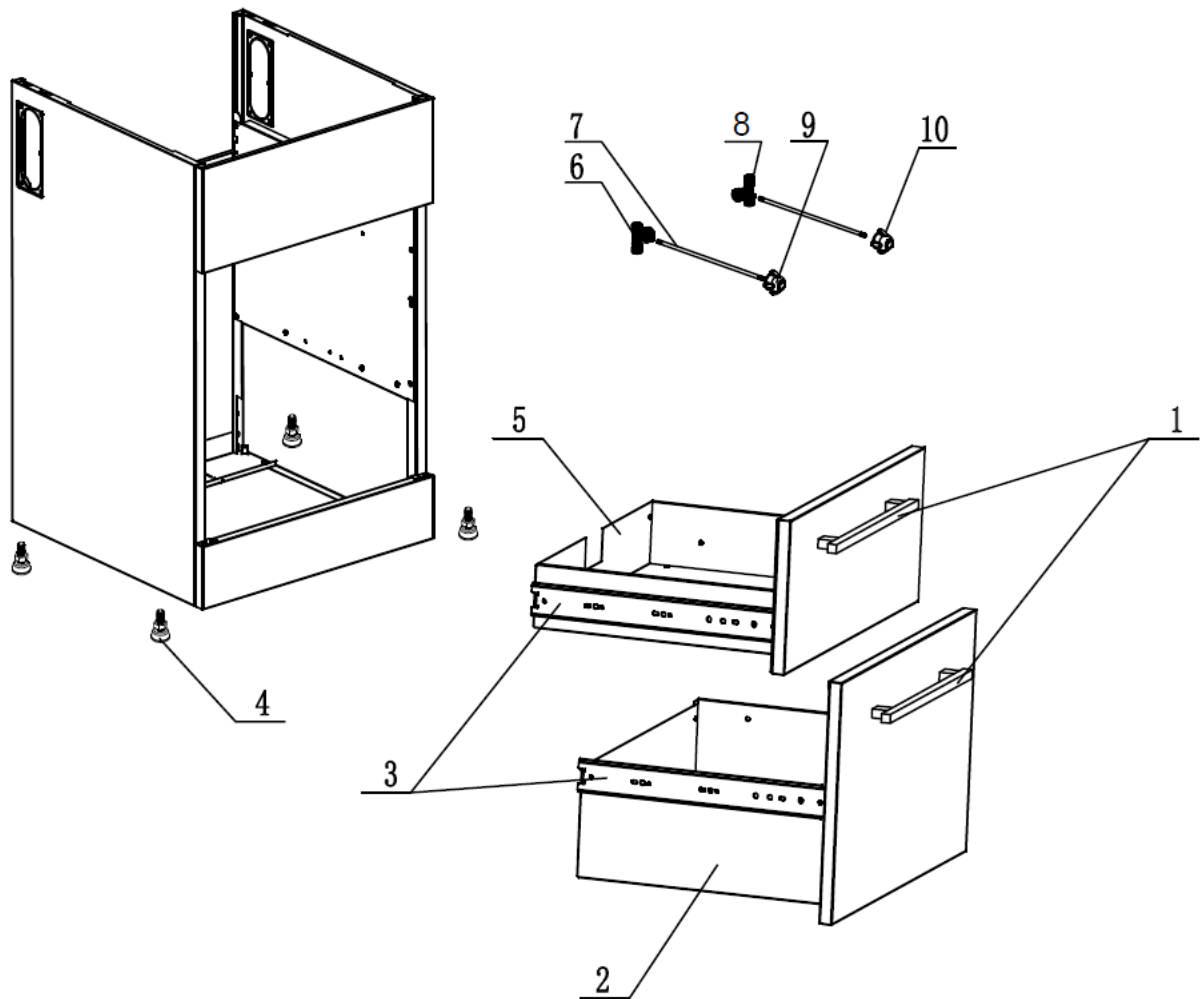
# Exploded View



## Parts List

Item	Description	Part Number
1	Waste basket assembly	C090000008
2	Stainless steel body	Y110101102
3	Seal of body (thin)	Y112300001
4	Seal of body (thick)	Y112300002
5	Screw nut	Y100300011
6	Plastic body (include brass screw)	Y110101011
7	Rubber seal	Y112300013
8	Screw nut	Y100400003
9	Overflow connection	Y112002059
10	Overflow seal	Y112300125
11	Overflow decorated cover	Y119900320
12	Overflow base	Y119900069
13	Cross screw	Y100199030
14	O ring	Y112300550
15	Overflow hose	Y112001160
16	Waste seal	Y112300015
17	Tube nut I	Y100400011
18	Waste elbow	Y110299013
19	Tube nut II	Y100400004
20	Taper waste seal	Y112300014
21	3 way connection tube	752203
22	Hose WMC clip	752228
23	Hose 370	752224
24	Waste inlet cover	752202
25	Screws (pack of 6)	999054
26	Waste inlet	752201
27	Robinhood Stainless Steel gooseneck tap	STTAP7150A

## Exploded View & Parts List Continued



Item	Description	Part Number
1	Square handle standard (with screws, 1 pc)	C990000061
2	Bottom drawer assembly	C990000042
3	Runner (1 set)	Y119900316
4	Supertub foot assembly (Bag of 4)	Y119900300
5	Top drawer assembly	C990000043
6	Three way ball valve Hot (for drawer models)	752235HT
7	Ball valve 3 way extended handle	751019
8	Three way ball valve Cold (for drawer models)	752235CD
9	Knob assembly Red	750909RD
10	Knob assembly Blue	750909BU

### New Zealand

Monaco Corporation Ltd  
 Telephone: (09) 415 6000  
 Facsimile: (09) 415 7400  
 Email: [enquiries@robinhood.co.nz](mailto:enquiries@robinhood.co.nz)  
[www.robinhood.co.nz](http://www.robinhood.co.nz)

### Australia

Shriro Australia Pty Ltd  
 (ABN 28 002 386 129)  
 Telephone: 1800 648 556  
 Facsimile: 1800 628 577  
 Email: [enquiries@robinhood.com.au](mailto:enquiries@robinhood.com.au)  
[www.robinhood.com.au](http://www.robinhood.com.au)