

Description: **ROBINHOOD SUPERTUB DBL DRW**
Model Number: **ST7001 / ST7001A / ST72DNM***

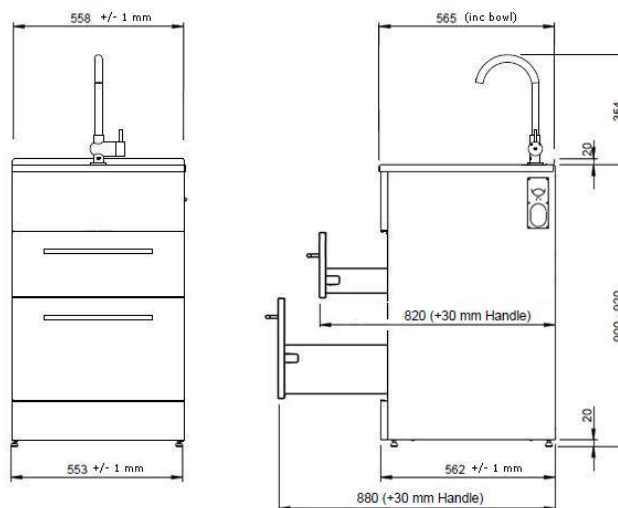
**Model ST72DNM does not include mixer. Mixer not included.*



Model pictured: **ST7001/ST7001A**

*All dimensions in mm
Model may vary slightly from images pictured*

Overview



Contents of packaging:

1 x Robinhood Supertub (incl waste system, plug)

1 x Installation kit (incl feet)

1 x Tap ware (incl flexible hoses, support plate, fixing plate, nuts) – *Included with ST7001 / ST7001A models ONLY. Model ST72DNM is not supplied with tapware.*

2 x Handles, washers and screws.

Pre-installation

⚠ Important:

- Please read the entire instructions before installing the laundry tub.
- Ensure the household pipes are thoroughly flushed to remove debris before connecting your laundry tub to the pipe works. To prevent foreign particles damaging the ceramic cartridge an 'in-line' filter is recommended to be installed prior to the mixer.
- Warranty on single lever mixer is void if the in-line filter is not fitted.
- Recommended temperature range 5° to 65°C. Maximum temperature 80°C.
- Maximum pressure 174 PSI (1200 kPa), minimum pressure 10 PSI (70 kPa).

⚠ Regulation compliance

Comply with current Drainage and Plumbing Regulations as required by your local authority. Sanitary plumbing shall only be carried out by a Registered Plumber. All plumbing work must be done in accordance with local and national building and plumbing codes as applicable. All electrical work must be done in accordance with local and national electrical codes as applicable. In some instances this product may need to be earthed.

⚠ Determine site

Determine the most suitable position for the laundry tub. It may be used either to the left or right of the washing machine. Allow 10mm clearance between the units. Mark the position on the floor as reference.

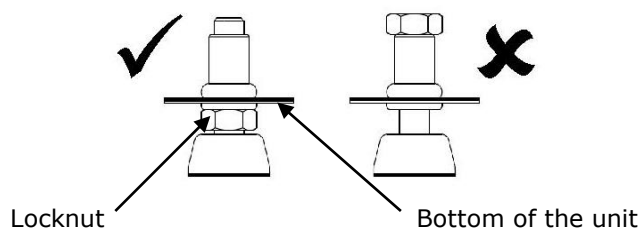
Important safety information

- ⚠ ○ This Robinhood Supertub is not intended for use by young children or infirm persons without supervision.
- Young children should be supervised to ensure that they do not play with the Robinhood Supertub.
- Do NOT use abrasive household cleaner.

Installing the Supertub

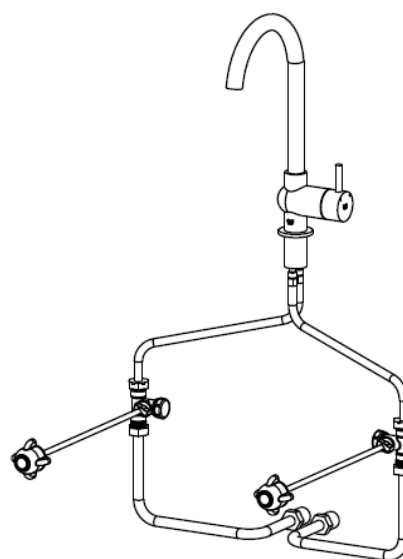
Confirm if the washing machine waste inlet needs to be moved from right to left before securing the unit to the wall. If they do need to be changed see page 6 of these installation instructions.

1. Fit the four adjustable feet supplied to the bottom of the cabinet and adjust to align with worktop or washing machine height. Use the lock nut to secure the feet into position. Tilt laundry tub slightly to assist with access. Check the top of the laundry tub with a spirit level to ensure that it is level and check that the cabinet does not "rock" confirm that the door operates correctly.



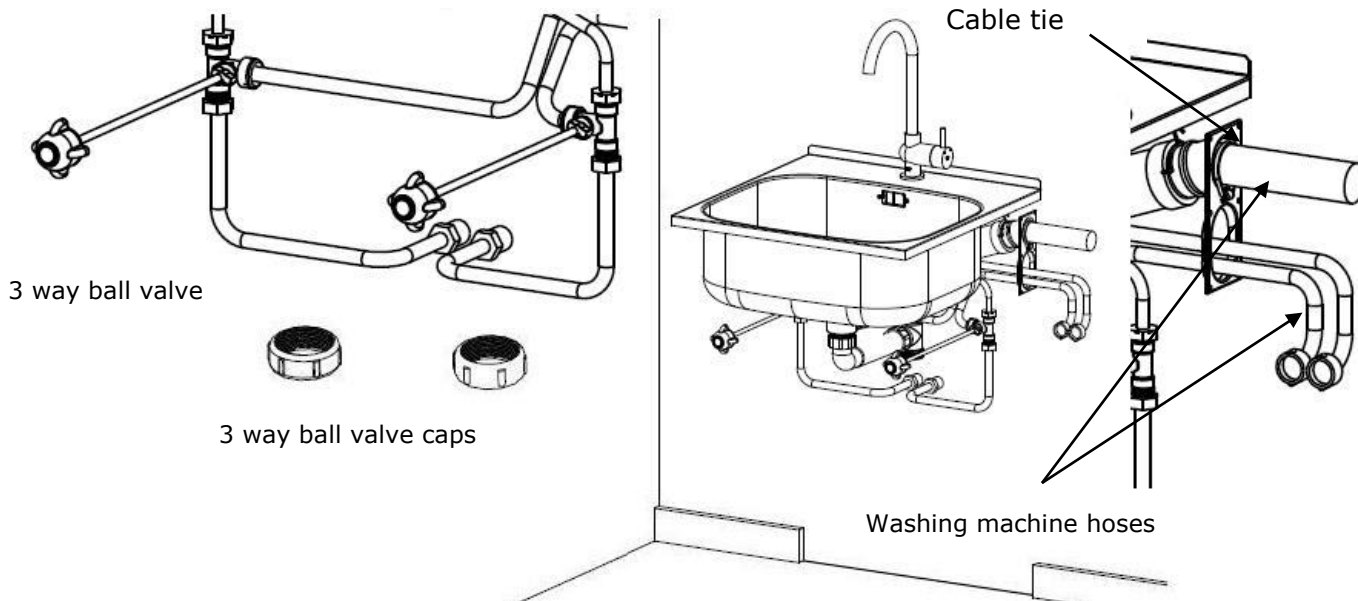
2. Line up the laundry tub to the installation and confirm enough room, if necessary remove the skirting board at the require distance 560 mm this will allow the unit to sit flush against the wall. (Check with your local council for building regulations). Remove the laundry tub away from the wall.
3. Remove the transit cable tie's holding the 3 way ball valve in position.

4. Fit the tap ware to the tub using the supplied fittings. Connect the two flexible hoses onto the body of the tap ware from the underside; ensure that the flexible hoses are fitted correctly. Hand tightened and then finished with a quarter turn only.



5. Position the laundry tub and cut the house waste pipe (which should already be installed) to the exact height. The final height will depend on the waste trap dimensions.
6. Fasten the laundry tub to the wall through any of the holes in the rear flanges. Alternative fastening can be achieved through the floor. Confirm that the drawers operate correctly.
7. Connect the flexible hoses from the 3 way ball valves to the hot and cold mains wingbacks and connect the waste system to the laundry tub.
8. Test the laundry tub for leaks. Check the tap ware, washing machine caps and the waste system.
9. Seal the laundry tub to the wall using suitable approved sealant. (Check with your local council for building regulations).

Installing the washing machine water inlet and waste outlet



Confirm if the washing machine waste inlet needs to be moved from right to left before securing the unit to the wall. If they do need to be changed see page 6 of these installation instructions.

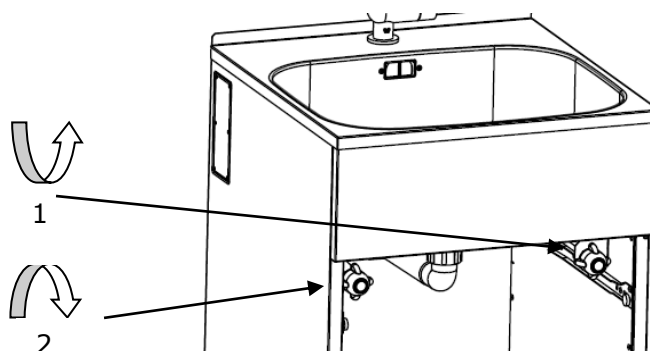
1. Cold water washing machine required, identify cold water 3 way ball valve confirm that the valve is shut horizontal and remove the $\frac{3}{4}$ " cap and seal. (Keep the cap in a safe location in case you need to remove the washing machine at a later date). Feed the cold water hose from the washing machine through the white plastic washing machine waste inlet to the 3 way ball valve, confirm the seal is okay and then connect them together.
2. Hot water not required, then check the cap only and make sure it is tight and that the 3 way ball valve is in the off position.
3. Hot water washing machine required, identify the cold water 3 way ball valve confirm that the valve is shut horizontal and then remove the $\frac{3}{4}$ " cap and seal. (Keep the cap in a safe location in case you need to remove the washing machine at a later date). Feed the hot water hose from the washing machine through the white plastic washing machine waste inlet to the 3 way ball valve, confirm the seal is ok then and connect them together.
4. Washing machine waste hose connection through the white plastic washing machine waste inlet and make sure that the hose is as far down the hose as possible and then to prevent the washing machine waste hose from coming loose use the cable tie from the installation kit to fasten the hose firmly to the white plastic washing machine waste connector. (see next page for picture)

⚠ Important:

Ensure the washing machine outlet hose is correctly fitted at both ends and that the spring clips are firmly in place to prevent leaks.

Operating Instructions

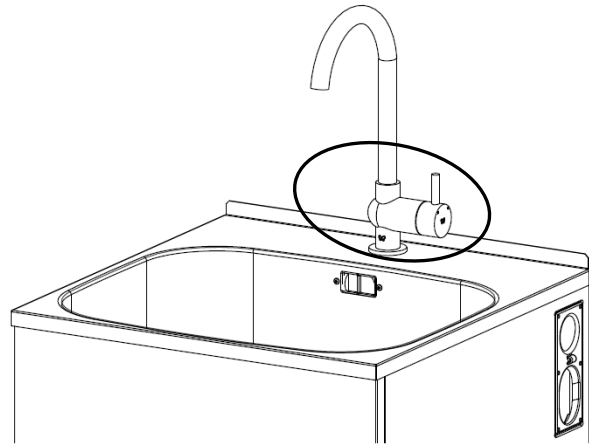
1. To use the washing machine from the mains water supply, simply turn the washing machine 3 way ball valves knob quarter turn valve on.
2. To isolate the washing machine from the mains water supply, simply turn the washing machine 3 way ball valves knob quarter turn off. This will isolate the washing machine from the mains water supply but still allow water to flow through the laundry tub tap.



Operating Instructions

Note: The Ball Valve Knobs are designed to open and close the ball valves and should only be turned ¼ turns in either direction. Overturning could result in the knob breaking.

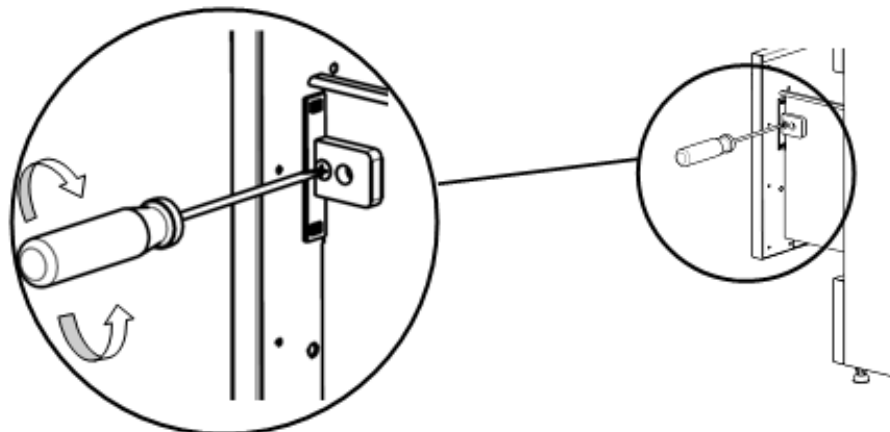
The tap is operated in conjunction with the graphics printed on the front of the tap handle.



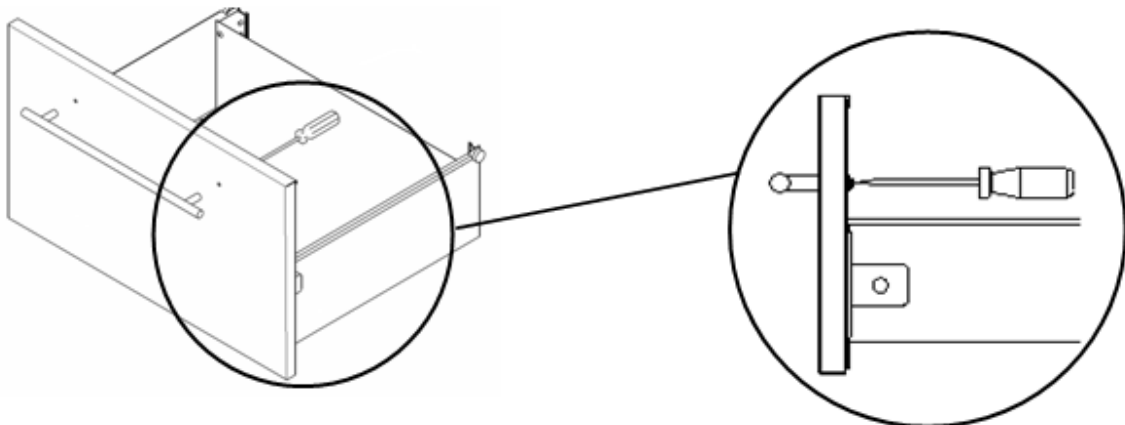
Adjusting the height of the drawers and fixing the handles

Adjusting the Cabinet Drawers * Maximum draw loading 15kg evenly distributed

1. To adjust the height of individual draws ($\pm 2.0\text{mm}$) simply adjust the position of the screw as shown below.



2. The handles are to be connected to all two drawers of the Robinhood laundry tub.



3. To fix handle to the drawer, firstly clear the existing holes from the front using the screws supplied. Insert screw & washer from the inside (back of the draw front) of the drawer, place handle on the outside of the drawer front and secure in two locations. Be careful not to scratch the drawer fronts whilst installing the handles.

Changing the washing machine inlet from right to left

The washing machine outlet waste hose can be connected to either side of the Robinhood Supertub.


1. On the inside of the laundry tub remove the clip from the white plastic washing machine waste inlet and black flexible hose, move the white plastic part to the other side of the laundry tub
2. Reconnect the washing machine flexible hose to the left hand side replace the clip and confirm that there are no water leaks.
3. On the outside of the laundry tub secure the white plastic washing machine waste inlet with six screws from the installation kit. On the outside of the laundry tub secure the white plastic washing machine waste inlet with six screws from the installation kit.
4. On the outside of the laundry tub secure the white plastic blanking plate with six screws from the installation kit.

Cleaning and maintenance

Powder coated surfaces must not be cleaned with abrasive or chemical cleaners. To keep the Laundry tub looking its best, wipe regularly with a damp soft cloth. A mild soap and water solution may be used to remove stubborn dirt. Under no circumstances should harsh detergents (including chemical cleaners) such as bleaches, scourers or any abrasive cleaner be used as these products may irreparably damage the surfaces of the Laundry tub.

 **NB. Their use will render the warranty void.**

Safety Catch (NOT SUPPLIED)

 In the interests of child protection against dangerous chemicals and cleaning fluids we recommend a suitable AS/NZS approved safety latch should be, fitted and used correctly.

Product Approvals (Australia Only)

Tap	AS/NZS3718, AS/NZS 6400 WELS
3-Way ball valve	ATS 5200.012
Flexible hoses	AS3499
Waste system	AS/NZ2887, AS3500
Tub / trough	AS/NZS1229

Suggested plumbing fittings required for Australian installations

Your ST7001A or ST72DNM Supertub is supplied with a standard 40mm waste fitting and this will require either a S or P trap connection to your household plumbing using the suggested parts below or as required by your licensed plumber.

Plumbing fittings available from the following stores or any good plumbing shop:

Tradelink

Waste to Floor connection: Reducer DWV Pipe 50mm x 40mm, part number 077898

Waste to Wall connection: Taper DWV Level Invert PVC 50mm x 40mm, part number 010655
DWV 50mm Straight coupling, part number 010290 *

Reece Plumbing.

Waste to Floor connection: Reducer DWV Pipe 50mm x 40mm, part number 1404859

Waste to Wall connection: Taper DWV Level Invert PVC 50mm x 40mm, part number 1405710
DWV 50mm Straight coupling, part number 1403810 *

Bunnings

Waste to Floor connection: Reducer DWV Pipe 50mm x 40mm, part number 9323714047743

Waste to Wall connection: Taper DWV Level Invert PVC 50mm x 40mm, part number 9323714047286
DWV 50mm Straight coupling, part number 9323714047095 *

* The use of the DWV 50mm Coupling may be required to connect the fittings to the existing 50mm household waste pipe.

Warranty Certificate (New Zealand)

Terms and Conditions

The following conditions apply in respect of the warranty given in this certificate:

1. Monaco Corporation Limited ("Monaco") warrants the following Robinhood products against manufacturing defects and faulty materials, under normal use and subject to the exclusions in this certificate, for a period of:
Uniduct – 12 months from date of original purchase for domestic use.
Supertub – 5 years on stainless bowl, 24 months on Tap, Cabinet and other components from the date of original purchase for domestic use.
Ironing centre – 12 months from date of original purchase for domestic use.
Waste disposal – 24 months from date of original purchase for domestic use.
"Original purchase", when used in this certificate, means purchase by the customer directly from Monaco or one of its approved suppliers.
2. This warranty is limited to the repair or replacement, at our option, within the warranty period of any component part which we at our discretion determines to contain faulty materials or a manufacturing defect in breach of this warranty. This warranty is subject to terms and conditions set out in this certificate.
3. The warranty only applies within New Zealand.
4. The customer must produce the original invoice or other purchase documentation as proof of the original purchase date.

Warranty exclusions

1. The warranty does not apply where, in Monaco's opinion:
The defect is caused by misuse, wear and tear, dirt, fire or accidental damage.
The product has been repaired or serviced by an unauthorised person.
The product was not installed in accordance with our instructions.
The product was purchased overseas or was not designed for use in New Zealand.
The product was not used, cleaned or cared for in accordance with our instructions.
The product was used outdoors.
All Robinhood rangehoods are suitable for indoor use only, and not suitable over BBQs or charcoal cookers designed for outdoor use.
2. In addition, this warranty does not extend to damage or defects which in our opinion, directly or indirectly arise from or Exposing the product to acidic or corrosive materials or chemicals such as dyes, solvents, denture cleaner or acetone; Using inappropriate household cleaning products such as abrasive cream or powder cleansers, furniture polish, bleach, mentholated spirits, drain cleaners, sugar soap, metal pads and strongly alkaline or acidic cleaners; Heat damage, including from washing the product at high temperatures; Impact or mishandling the product, including the impact caused by objects scraped along, thrown or dropped on the surface or excessive weight being placed on the product; Structural or support changes in or affecting the building or the application where the product has been installed; Failure to clean or maintain the product as recommended; or Any other causes specified in the product information as being excluded from this warranty.
3. Variations with the colour or gloss within the product or any ageing or fading of colour, shine or gloss level over time are not covered by this warranty. The warranty does not cover visual imperfections or blemishes in the surface and edges of product that were not brought to your supplier's attention at the time you inspected the product.
4. Costs incurred on installation or removal of a product, or any reinstallation of a product, or any associated costs, are not covered by this warranty.
5. Monaco will not be liable for consequential or indirect loss or damage whatsoever and however arising out of or in with the supply, performance or removal of the product, including (but not limited to) loss of profit, loss of revenue, loss of contract, loss of goodwill or increased cost of workings, even if due to the negligence of Monaco or any of its approved suppliers, employees or agents.
6. Charcoal filters and light bulbs are not covered by this warranty
7. This warranty and the statements contained in this certificate or other documents given to you do not exclude, restrict or modify the application of any term implied into this warranty by statute, provided that (to the extent any statutory permits Monaco to limit its liability for a breach of an implied condition or warranty) Monaco's liability for such breach is to the payment of the cost of replacing the product, repairing the product or acquiring an equivalent product.
8. Subject to clause 5, our obligations under this warranty are limited to those set out in this certificate, and this warranty is expressly instead of all other warranties, express or implied, including any implied warranty of merchantability or fitness particular purpose and notwithstanding any course of dealing between the parties or custom and usage in trade to the contrary.

Should warranty service be required, please contact us:

Phone: (09) 415 6000

Fax: (09) 415 7400

Email: enquiries@robinhood.co.nz

Website: www.robinhood.co.nz

Terms and conditions are subject to change without notice

Warranty Certificate (Australia)

Terms and Conditions

If you are a consumer under the Australian Consumer Law, our goods come with guarantees that cannot be excluded under the Australian Consumer Law. You are entitled to a replacement or refund for a major failure and for compensation for any other reasonably foreseeable loss or damage. You are also entitled to have the goods repaired or replaced if the goods fail to be of acceptable quality and the failure does not amount to a major failure

1. Shriro Australia Pty Limited (“Shriro”) also warrants the following Robinhood products against manufacturing defects and faulty materials, under normal use and subject to the exclusions in this certificate, for a period of:

Rangehood, Ovens, Cooktops - 24 months from date of original purchase for domestic use.

Uniduct – 12 months from date of original purchase for domestic use.

Ironing centre – 12 months from date of original purchase for domestic use.

Taps, including Pull-out and Mixer taps – 5 years on parts only from date of original purchase domestic for use, 24 months parts and labour from date of original purchase for domestic use

Sinks sets– 5 years on stainless steel sink including draining bench from date of original purchase for domestic use, 6 months on all stainless steel accessories, including wire rack, colander and tray from date of original purchase for domestic use.

Supertub - 5 years on stainless bowl, 24 months on Tap, Cabinet and other components from the date of original purchase for domestic use.

“Original purchase”, when used in this certificate, means purchase by the customer directly from Shriro or one of its approved suppliers.

2. This warranty is limited to the repair or replacement, at our option, within the warranty period of any component part which we at our discretion determine to contain faulty materials or a manufacturing defect in breach of this warranty. This warranty is subject to terms and conditions set out in this certificate.

3. The warranty only applies within Australia.

4. For warranty service outside of capital city metropolitan area or 30 km from nearest authorised service agent you will be liable for reasonable travelling expenses and the cost of transport of the product or parts to and from the service agent

5. To make a claim under this warranty, you must produce the original invoice or other purchase documentation as proof of the original purchase date. You must send your claim to Shriro Australia Pty Limited, 104 Vanessa Street, Kingsgrove NSW 2208 within 7 days of any alleged defect or failure of the product first becoming apparent, you are responsible for the expense of making a claim under this warranty.

This warranty is given by:

Australia Shriro Pty Ltd

ABN 28 002 386 129

Telephone: 1800 648 556

Facsimile: 1800 628 577

Email: enquiries@robinhood.com.au

www.robinhood.com.au

Attention Customer Services Manager

Warranty exclusions

1. The warranty does not apply where, in Shriro’s opinion:

The defect is caused by misuse, wear and tear, dirt, fire or accidental damage.

The product has been repaired or serviced by an unauthorised person.

The product was not installed in accordance with our instructions.

The product was purchased overseas or was not designed for use in Australia.

The product was not used, cleaned or cared for in accordance with our instructions.

The product was used outdoors.

2. All Robinhood rangehoods are suitable for indoor use only and not suitable over BBQs or charcoal cookers designed for outdoor use.

3. In addition, this warranty does not extend to damage or defects which in our opinion, directly or indirectly arise from or are due to: exposing the product to acidic or corrosive materials or chemicals such as dyes, solvents, denture cleaner or acetone; using inappropriate household cleaning products such as abrasive cream or powder cleansers, furniture polish, bleach, mentholated spirits, drain cleaners, sugar soap, metal pads and strongly alkaline or acidic cleaners; heat damage, including from washing the product at high temperatures; impact or mishandling the product, including the impact caused by objects scraped along, thrown or dropped on the product surface or excessive weight being placed on the product; structural or support changes in or affecting the building or the application where the product has been installed; failure to clean or maintain the product as recommended; or any other causes specified in the product information as being excluded from this warranty.

4. Variations with the colour or gloss within the product or any ageing or fading of colour, shine or gloss level over time are not covered by this warranty. The warranty does not cover visual imperfections or blemishes in the surface and edges of the product that were not brought to your supplier’s attention at the time you inspected the product.

5. We will not be responsible under this warranty for, nor pay the costs of, removing the existing product, or reinstalling the new product, or any associated costs or damages.

6. Charcoal filters and light bulbs are not covered by this warranty

The benefits given by this warranty are in addition to other rights and remedies of consumers under any law in relation to the goods which cannot be excluded.

This warranty certificate is not intended to create a contract between Shriro Australia Pty Limited and the purchaser.