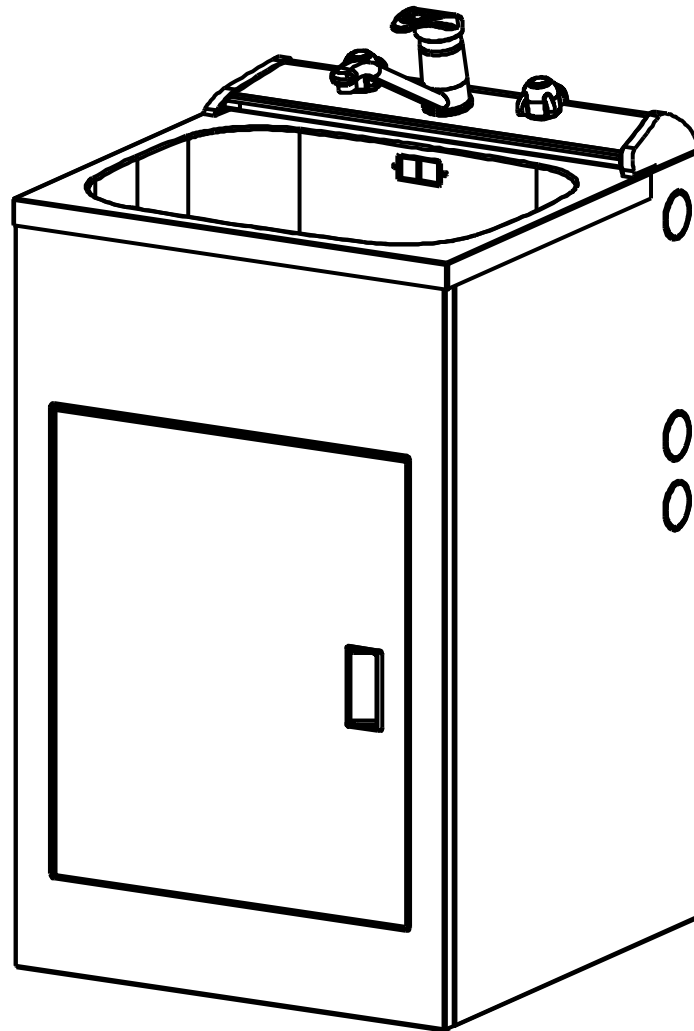


ST3500

 Robinhood

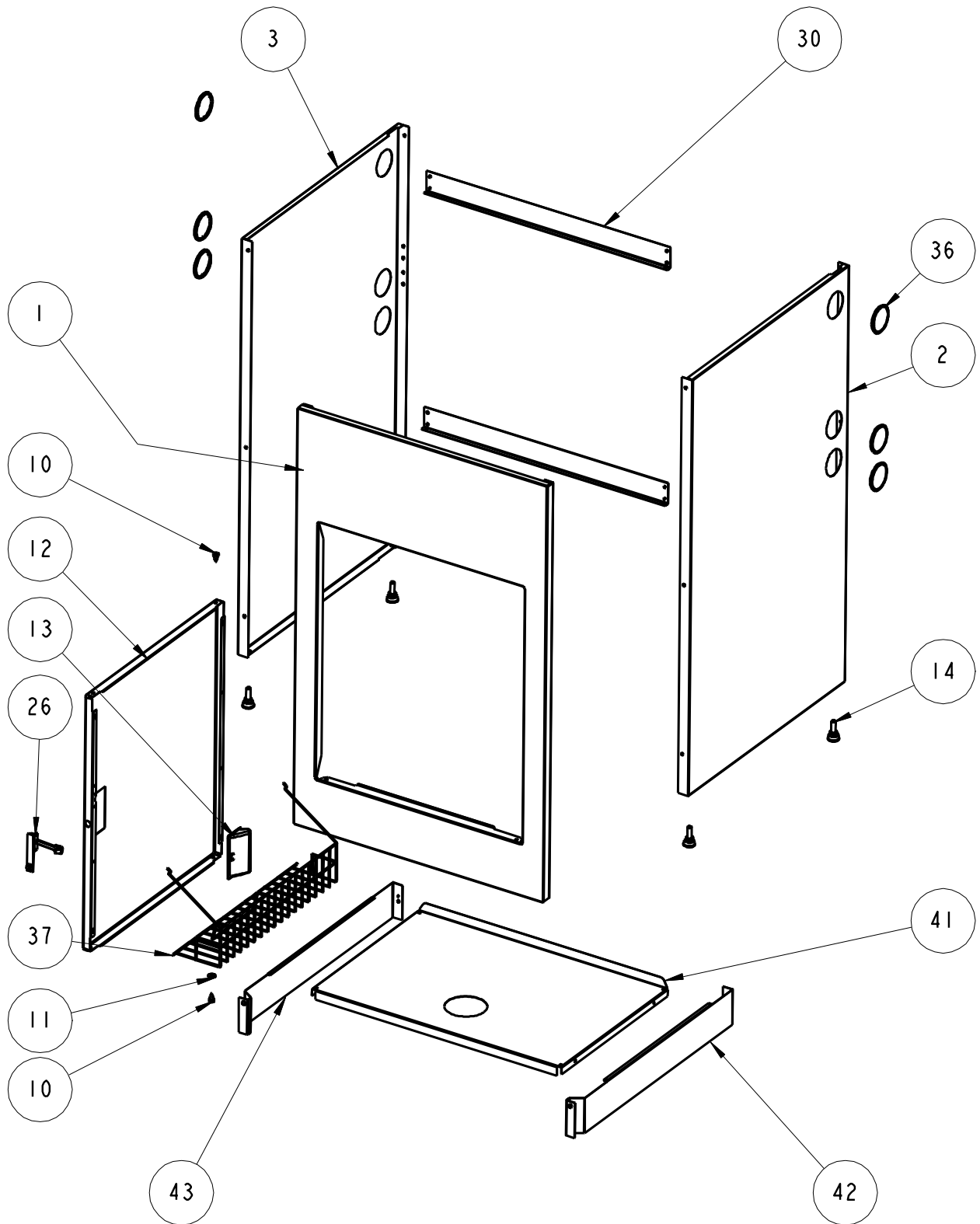


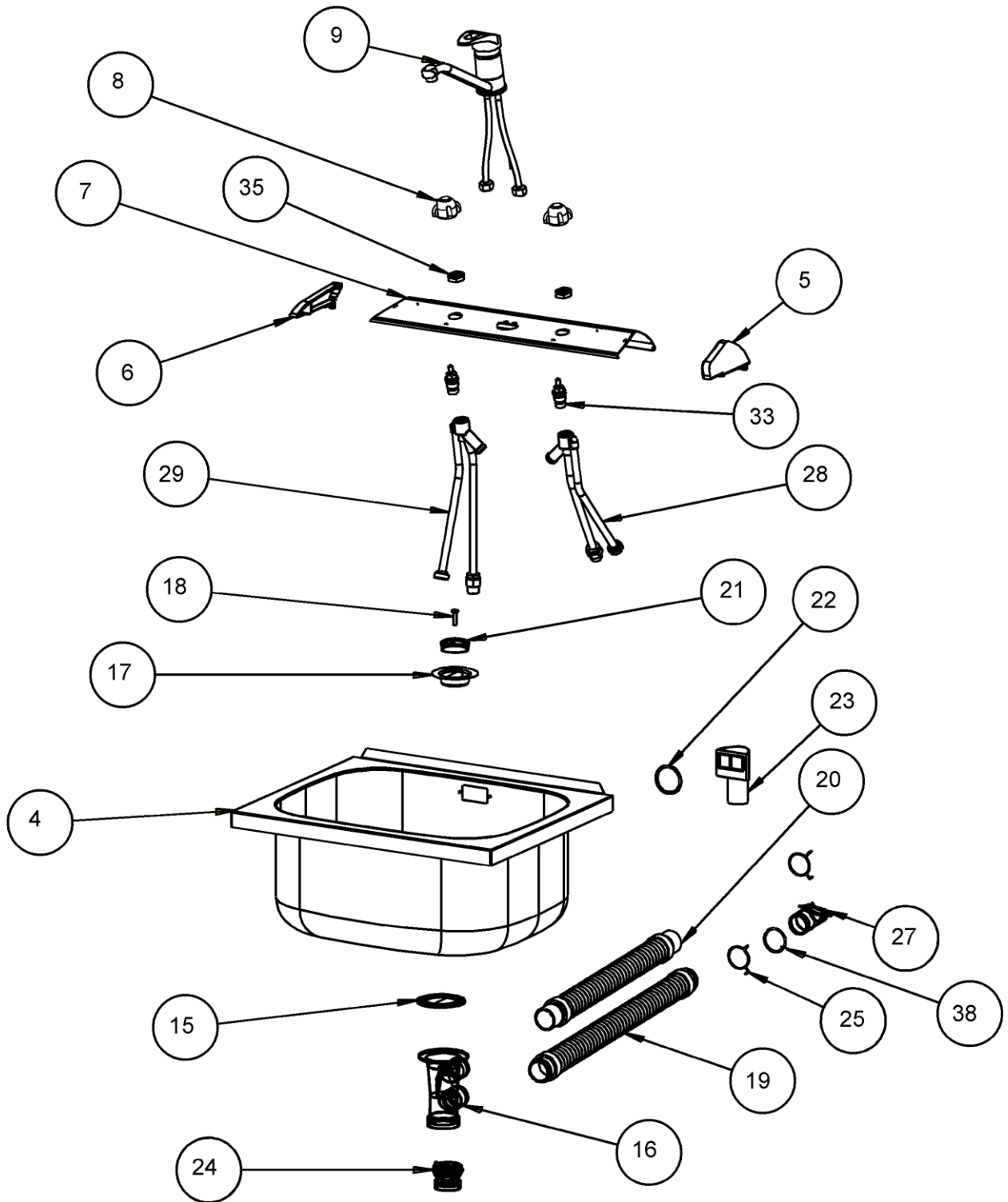
**SUPERTUB  
ST 3500**

APPROVED  
ISSUE: H  
ECN: 08 137

Page 1 of 7

ST3500





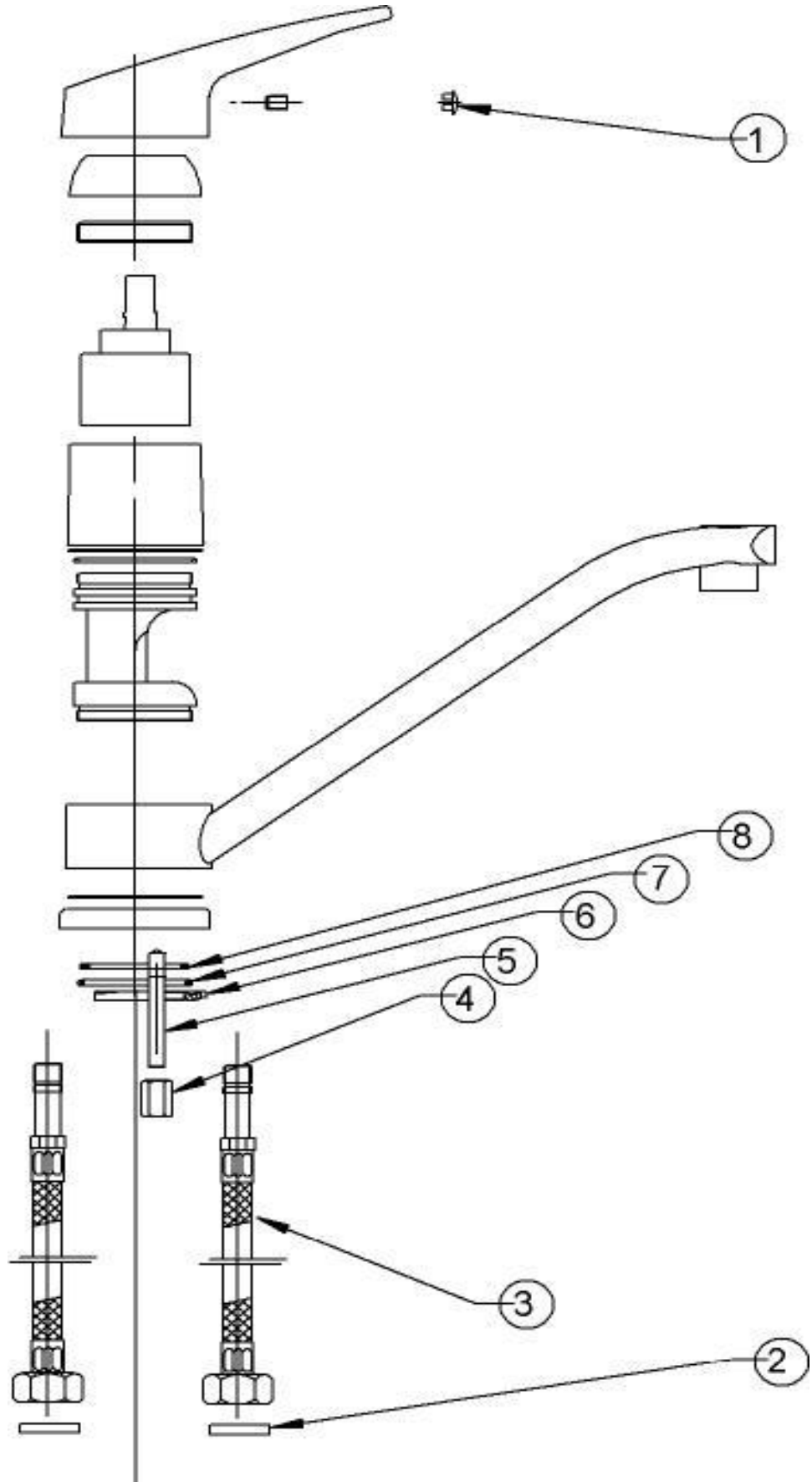
**ST3500**

ITEM	DESCRIPTION	Part No
1	ST – FRONT PAINTED WHITE	
2	ST – SIDE RIGHT PAINTED WH	
3	ST – SIDE LEFT PAINTED WH	
4	TUB STANDARD MK2 50mm WASTE	
5,6	PLASTIC SIDE FAMILY	750812WH
7	ST35 – CONSOLE – WHITE	750863WH Obsolete Alt Part. 750815WH
8	KNOB ASSEMBLY WITH RED INDICATOR KNOB ASSEMBLY WITH BLUE INDICATOR	750909CRR 750909CRB
9	SINGLE LEVEL UNIT	751193
10	PIN HINGE	750085
11	WASHER HINGE	750084
12	DOOR – PAINTED WHITE	750615WH
13	HANDLE – DOOR	750016WH
14	FOOT ADJUSTABLE M8 x 25 INC LOCKING NUT	USE ITEM 40
15	SEAL – WASTE	750634
16	BODY – WASTE – 50mm	750632WH
17	GRILL WASTE – 50mm STAINLESS STEEL	750633SS
18	SCREW M6x25 BUTTON-SKT-SS	999140
19	FLEXIBLE HOSE W/M – CONNECTOR	USE ITEM 39
20	FLEXIBLE HOSE OVERFLOW	USE ITEM 39
21	PLUG WASTE 50mm	750636BL
22	O – RING 40mm ID	750081

**ST3500**

ITEM	DESCRIPTION	Part No
23	OVERFLOW HOUSING	USE ITEM 39
24	ADAPTOR 50/40mm – WASTE	750638
25	SPRING FOR WASHING MACHINE	750694
26	LATCH – DOOR	750017
27	INLET MOUNT W/M	USE ITEM 39
28	RIGHT SIDE BODY & PIPE ASSY	750798
29	LEFT SIDE BODY & PIPE ASSY	750797
30	BACK BRACE WHITE	750613WH
33	HEADWORKS NON RISING	750704
35	CLAMP NUT M24 x 1	750642
36	GROMMET SIDE PANEL	USE ITEM 40
37	DOOR RACK WIRE – WHITE	750447
38	WIRE TIE	USE ITEM 40
39	WASTE HOSE SUB ASSEMBLY	750717
40	INSTALL KIT	750639
41	SHELF (Available in New Zealand Only from 01-06-2005)	750318WH
42	SHELF SUPPORT RH (Available in New Zealand Only from 01-06-2005)	750618WH
43	SHELF SUPPORT LH (Available in New Zealand Only from 01-06-2005)	750619WH

**NB SOME PARTS ARE NOT AVAILABLE OUTSIDE PRODUCTION**



**ST3500**

ITEM	DESCRIPTION	Part No
1	HOT / COLD INDICATOR	750817
2	LONG BRAIDED HOSE SEAL	750823
3	LONG BRAIDED HOSE	750874
4,5,6 7,8	INSTALLATION KIT	750868
	SINGLE LEVER UNIT	750857

**NB SOME PARTS ARE NOT AVAILABLE OUTSIDE PRODUCTION**