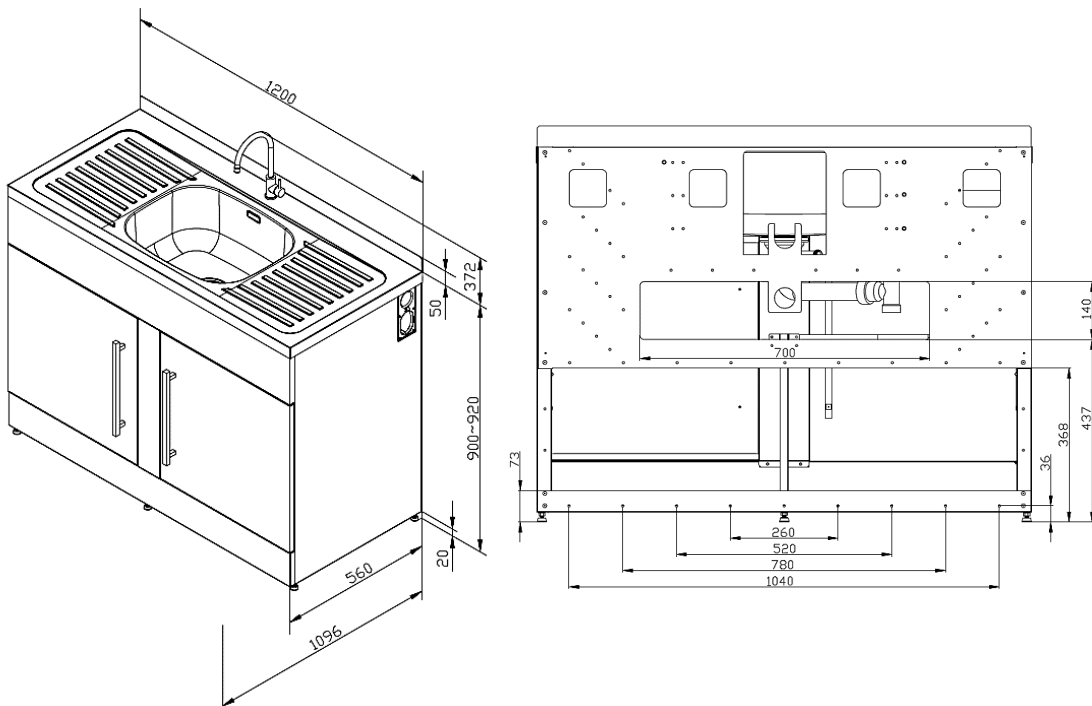


Description

ROBINHOOD SUPERTUB SERIES 3 WORKSTATION S/S GOOSENECK TAP
ST1200



Dimensions



Dated 29/01/2021

Specifications

Tapware

Tapware type	#304 Stainless Steel Gooseneck Tap
WELS rating	5 Stars, 5.5L per minute
Max & Min pressure	Maximum pressure 72.5 PSI (500 kPa); Minimum pressure 22 PSI (150 kPa)
Temperature range	Recommended temperature range 5° to 65°C; Maximum temperature 80°C

Sink

Bowl type	0.8mm polished #304 Stainless Steel
Bowl capacity	32L gross capacity measured to the top; 25.5L capacity to overflow
Waste type	Modern basket waste
Overflow	Yes, modern overflow design

Cabinet

Handle type	2x Square brushed pole handles
No. of doors	2 doors
Internal shelf and floor	2 sets (1 set with waste pipe cut-outs)
Maximum height of items can be stored	Top: 235mm; Bottom: 380mm
Plumbing kit	Included, can be adjusted to left or right hand side installation
Adjustable levelling feet	Yes
Side apertures for hoses	Yes, on both sides
3 Way ball valves isolators	Yes, included
Washing machine waste pipe	Separate
Cabinet color/finish	Satin white/powder coated
Cabinet material	0.6mm galvanized steel
Dimensions & Weights	
Product dimensions (mm)	W1200*D565*H(900-920)
Carton dimensions (mm)	W1218*D582*H975
Gross/Net weight (Kg)	69/60

Warranty

Tapware & Cabinet	2 years on parts & labour from the date of purchase
Sink	5 years on parts & labour from the date of purchase