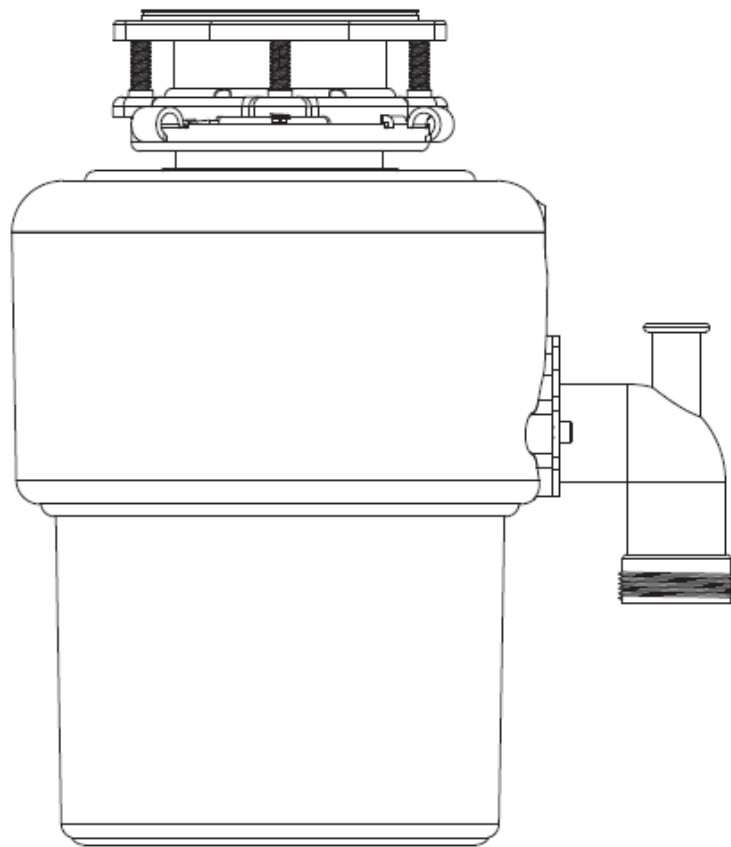
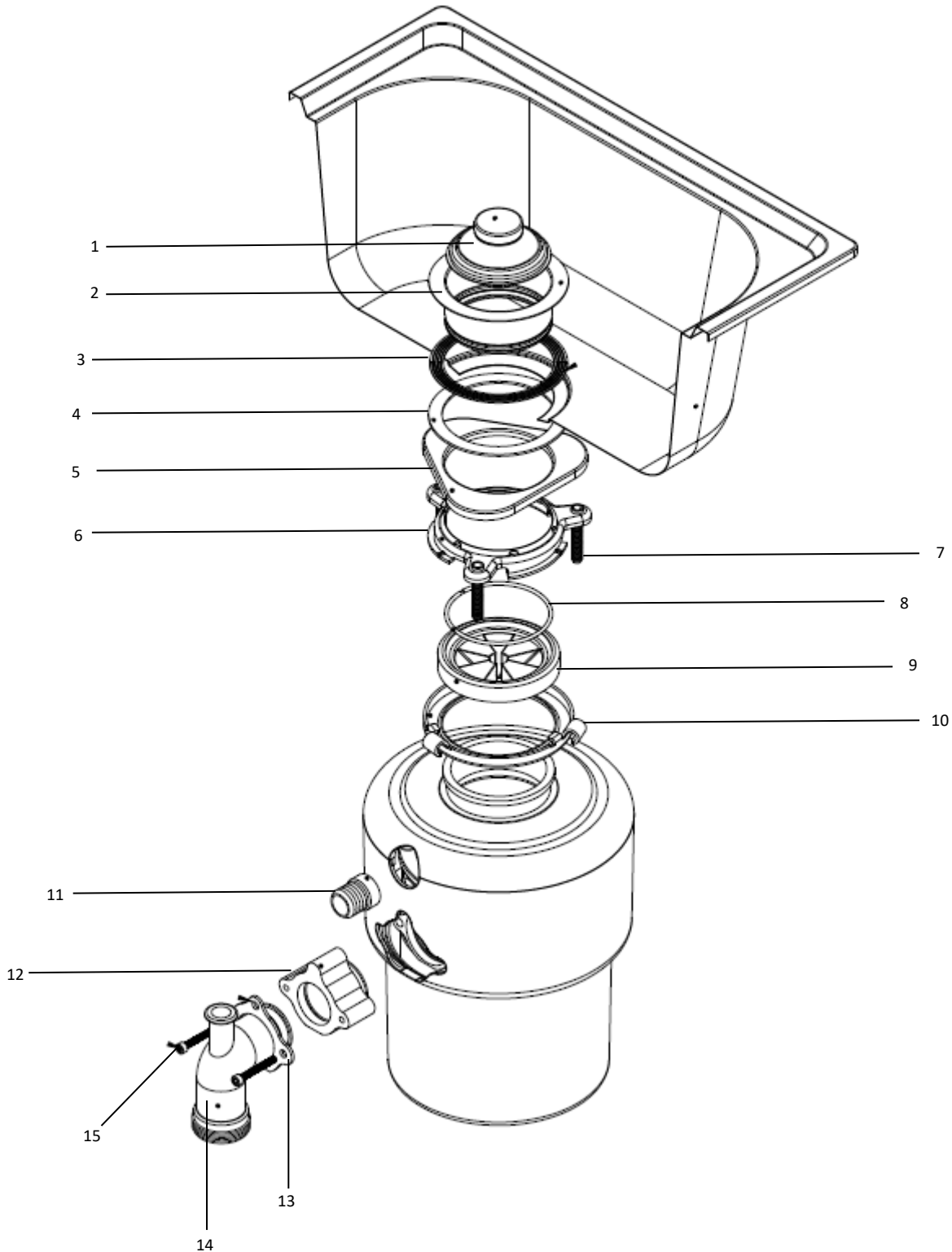


Description: **SCRAPEATER II WASTE DISPOSAL**
Model Number: **SEii500Q, SEii500QA, SEii750QA**



Exploded view



Parts List

| | | Part number |
|------|---|-------------|
| Item | Description | |
| 1 | Sink Plug with Brush | T0006 |
| 2 | Sink Flange | C0079 |
| 3 | Flange Gasket | A0017 |
| 4 | Rubber Gasket | A0016 |
| 5 | Mounting Plate | C0057 |
| 6 | Mounting Flange | C0055 |
| 7 | Self Tapping Screw | E0009 |
| 8 | Retaining Ring | C0058 |
| 9 | Splashguard Baffle | A0011 |
| 10 | Mounting Bracket | C0056 |
| 11 | Dishwasher Connection | G0081 |
| 12 | Waste Pipe Rubber Gasket | A0038 |
| 13 | Drain Pipe Flange | C0048 |
| 14 | Drain Pipe | G0064 |
| 15 | Hex Head Screw | E0026 |
| NS | Air Switch Push Button & PVC Tube (SEii500QA & SEii750QA Models Only) | WD6215964 |

New Zealand

Monaco Corporation Ltd
 Telephone: (09) 415 6000
 Facsimile: (09) 415 7400
 Email: enquiries@robinhood.co.nz
 www.robinhood.co.nz

Australia

Shiro Australia Pty Ltd
 (ABN 28 002 386 129)
 Telephone: 1800 648 556
 Facsimile: 1800 628 577
 Email: enquiries@robinhood.com.au
 www.robinhood.com.au

