

## CONTROL PANEL

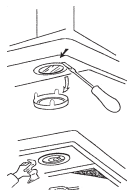


Fan On / Off    Mid Speed    High Speed    Delay Switch    Light On / Off

Delay switch - Fan will remain on at low, mid or high speed for 5 mins. before switching off automatically.

### LIGHT REPLACEMENT

- Switch off the power to rangehood.
- Use a small bladed screwdriver to prise off the light cover.
- Use a cloth to remove the bulb. Do not touch the bulb with fingers.
- Replace with a new bulb using a cloth. Do not touch the bulb with fingers. "Snap" the cover back in place.
- Halogen bulb 12Volt/20Watt required.



## INSTALLATION OPTION ACCESSORIES

### DUCTED

Use manufacturer Product Code.  
1688

Extra lengths or bends may be required depending on the length required & whether there is any structural material in the run, eg rafters.

For optimal efficiency, use smooth ducting for reduced noise and increased airflow. Flexible ducting should only be used as a last resort.

For other Accessories, Parts or Service, please contact your local supplier or approved service agent

### RECIRCULATED

Use manufacturer Product Code.  
1744 Recirculation Kit

### MAINTENANCE

Particular care should be taken with grease filter which must be periodically cleaned (at least every two months). Remove the grease filters and wash them either by hand or in the dishwasher using mild detergent. Caution: Never use products containing abrasives (e.g. scouring pads, steel wool, abrasive liquid cleaner etc.) Use lukewarm water and a mild detergent to clean stainless steel components. In high humidity and coastal environments, cleaning should be carried out more frequently.

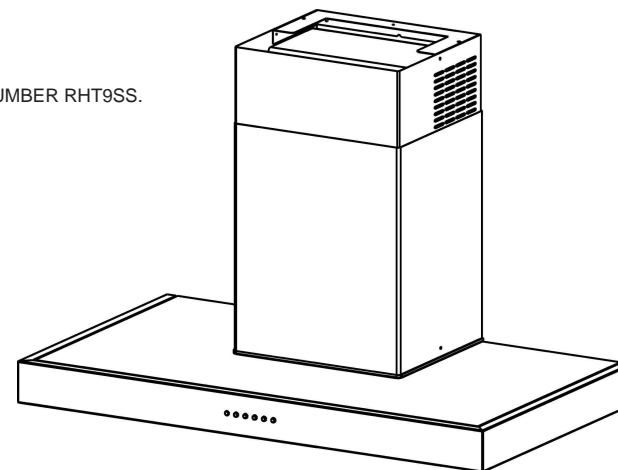
### WARNINGS

- Care should be taken when removing filters in order to prevent the filter falling and causing damage to the hob top.
- This appliance is not intended for use by young children or infirm persons without supervision.
- Young children should be supervised to ensure that they do not play with the appliance.
- Upon installation the appliance must be positioned so that the plug is accessible.
- There should be adequate ventilation of the room when the rangehood is used at the same time as appliances burning gas or other fuels.
- You must read the details concerning the method and frequency of cleaning.
- There is a fire risk if cleaning is not carried out in accordance with the instructions.
- Do not flambé under the rangehood.
- Exhaust air must not be discharged into an existing flue used for exhausting fumes from appliances burning gas or other fuels.
- The recommended minimum distance between the hob surface and the lowest part of the rangehood is 600mm. This should be increased to at least 650mm if installed over a gas hob. We recommend 700mm.
- Attention should be given to ensure that any applicable regulations concerning the discharge of exhaust air is fulfilled.
- If the supply cord of this equipment is damaged, it must only be replaced by the manufacturer or it's service agent, or a similarly qualified person in order to avoid a hazard.

# CANOPY RANGEHOOD

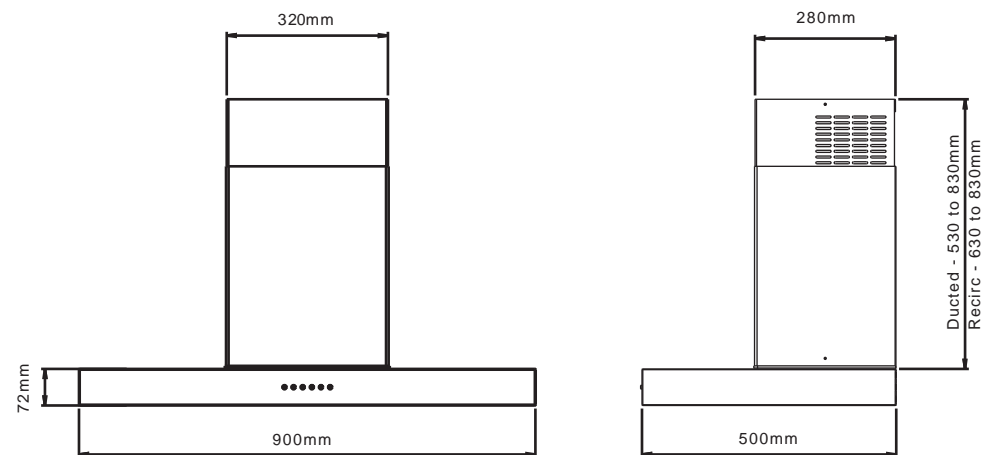
## INSTALLATION INSTRUCTION

TELESTO MODEL NUMBER RHT9SS.



PLEASE READ THE ENTIRE INSTRUCTION BEFORE INSTALLING THE CANOPY

## PRODUCT DIMENSIONS



All Dimensions are in mm

104775 issue D  
ECN 06 072



RECOMMENDED UNIDUCT DUCTING SYSTEMS FOR RANGEHOODS

MANUFACTURED IN NEW ZEALAND BY:  
**ROBINHOOD LIMITED**  
P.O. BOX 51 201, PAKURANGA, AUCKLAND, N.Z.  
TEL: +64 9 272 5129 • FAX: +64 9 272 5148  
ISO9001 Certified

Electrical Rating:  
386W (1.6A)  
Max. at 230-240V 50Hz

## PRE-INSTALLATION

Thank you for purchasing a quality stainless canopy rangehood. We have a high standard of quality control and each rangehood is tested and approved before it leaves the factory.

**IMPORTANT :** Please read prior to installation and operation.

- Always switch the power off prior to installing, servicing or cleaning the appliance.
- Never use the appliance without the filters.
- Please read the notes on general cleaning, especially the filters.
- Exhaust air must not be discharged into a heating flue or wall cavity, unless the cavity is designed for that purpose.
- Areas where the rangehood is installed that also have gas, oil or coal fired heaters, must be well ventilated to prevent a partial vacuum in the room. This includes gas hobs. (A partial vacuum in the room could result in too high a concentration of gas in the air).

## WARNING



All electrical work must be done in accordance with local and/or national electrical codes as applicable. For safety, this product must be earthed. If you are unfamiliar with methods of installing electrical wiring, employ the services of a qualified electrician.

Turn off power at service entrance before installing wiring or servicing this product.

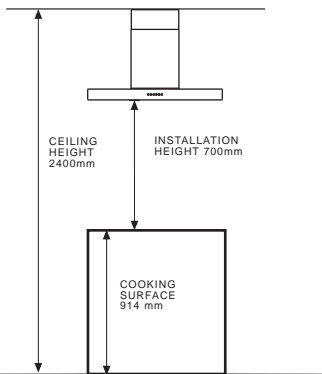


The canopy is heavy, Please ensure adequate care when installing the canopy to prevent personal injury.

The canopy must be installed onto a solid wall or solid studs.



## INSTALLATION OF UNIT



**NOTE:** Stainless steel is very easily damaged during installation if abraded or knocked by tools.

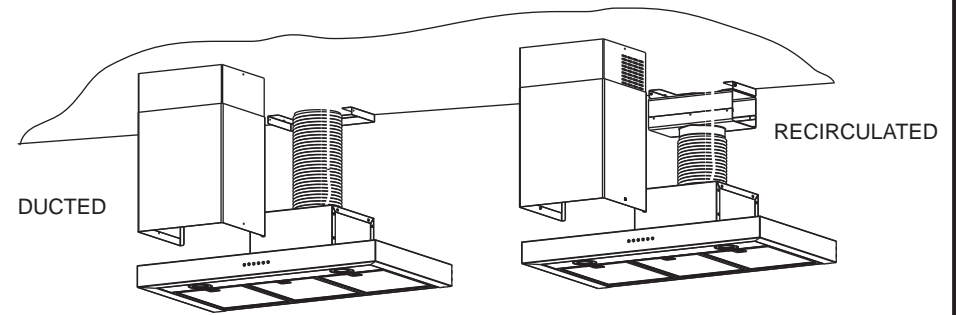
Read the instructions before starting the assembly. Remove the filters to allow access to wall mounting holes.

The unit is designed for 2400mm ceilings. The chimney is telescopic and is designed for hood installation between 600 to 800mm above the cooking surface.

Ascertain the desired installation height of the canopy. **NOTE:** Installation height ranges from 600 to 800mm. Optimum installation height is 700mm (650 mm for gas) above the hob.

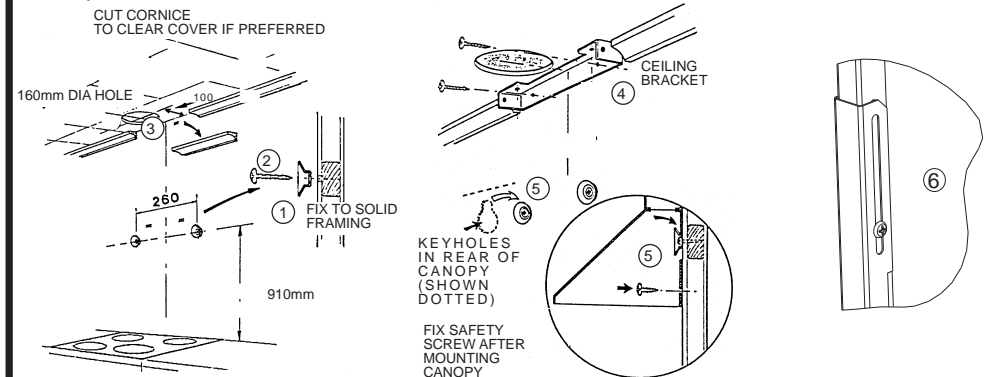
**DUCTING:** Ducting accessories are not supplied. The air outlet from the motor requires 150mm round ducting which requires 160mm diameter hole in the ceiling.

This appliance must be positioned so that the electrical plug is accessible.



Before drilling any holes check the wall and ceiling are clear of any electrical cables, pipes etc. Fixing to a solid stud is recommended.

- 1 Fix the mounting washers in position, check with a spirit level across the washers to ensure they are level.



### INSTALLING DUCTING

**NOTE:** All ducting must comply with local requirements and building codes.

- 2 Mark the position of the decorative chimney at ceiling and wall, cut the cornice moulding away if required, to enable the chimney to fit flush against the wall and ceiling.
- 3 Mark and cut the hole in the ceiling to fit the ducting (160mm dia.) This is position centrally above the canopy and 100mm from the wall

### INSTALLING CEILING BRACKET

- 4 Using the screws supplied, fix the ceiling bracket to the wall, checking that it is aligned with the hood.

### FINAL ASSEMBLY

- 5 Remove protective plastic covering from all parts including the filters. Fit the canopy on the mounting washers. Plug in power cord to the supply and check the function of the hood. Fix the safety screw, connect and secure the ducting using the cable ties.
- 6 A rubber extrusion has been provided to hide any irregularities between the chimney and the canopy / ceiling, to fit push over the top & bottom visible edges of the chimney. This edge may be shape so take care. If desired this extrusion may be omitted. Assemble the telescope chimney to accurately suit the dimensions required and fix using the screws supplied to the canopy and ceiling bracket